



US00D780970S

(12) **United States Design Patent**
Fujisawa

(10) **Patent No.:** **US D780,970 S**

(45) **Date of Patent:** **** Mar. 7, 2017**

(54) **SPOT LIGHT**

(71) Applicant: **MINEBEA CO., LTD.**, Kitasaku-gun,
Nagano (JP)

(72) Inventor: **Shinichi Fujisawa**, Akiruno (JP)

(73) Assignee: **MINEBEA CO., LTD.**, Nagano (JP)

(**) Term: **15 Years**

(21) Appl. No.: **29/557,984**

(22) Filed: **Mar. 14, 2016**

(30) **Foreign Application Priority Data**

Sep. 16, 2015 (JP) 2015-020625

(51) **LOC (10) Cl.** **26-03**

(52) **U.S. Cl.**
USPC **D26/65**

(58) **Field of Classification Search**

USPC D26/1, 24, 61, 63, 65, 85, 92
CPC F21V 21/14; F21V 15/01; F21V 14/02;
F21V 21/30; F21V 21/00; F21V 14/00;
F21S 8/00; F21S 8/003; F21S 8/043;
F21Y 2105/001

See application file for complete search history.

(56) **References Cited**

U.S. PATENT DOCUMENTS

D226,534 S * 3/1973 Anderson, Jr. D26/63
D437,955 S * 2/2001 Tang D26/63

D566,873 S * 4/2008 Grundl D26/63
D585,588 S * 1/2009 Alexander D26/65
D693,502 S * 11/2013 Rashidi D26/63
D719,695 S * 12/2014 Szoke D26/63

* cited by examiner

Primary Examiner — Brian N Vinson

(74) *Attorney, Agent, or Firm* — Oliff PLC

(57) **CLAIM**

The ornamental design for a spot light, as shown and described.

DESCRIPTION

FIG. 1 is a front perspective view of a spot light showing my new design;
FIG. 2 is a rear perspective view thereof;
FIG. 3 is a front elevational view thereof;
FIG. 4 is a rear elevational view thereof;
FIG. 5 is a right-side elevational view thereof;
FIG. 6 is a left-side elevational view thereof;
FIG. 7 is a top plan view thereof; and,
FIG. 8 is a bottom plan view thereof.

The broken line disclosure represents portions of the spot light which form no part of the claimed design.

1 Claim, 4 Drawing Sheets

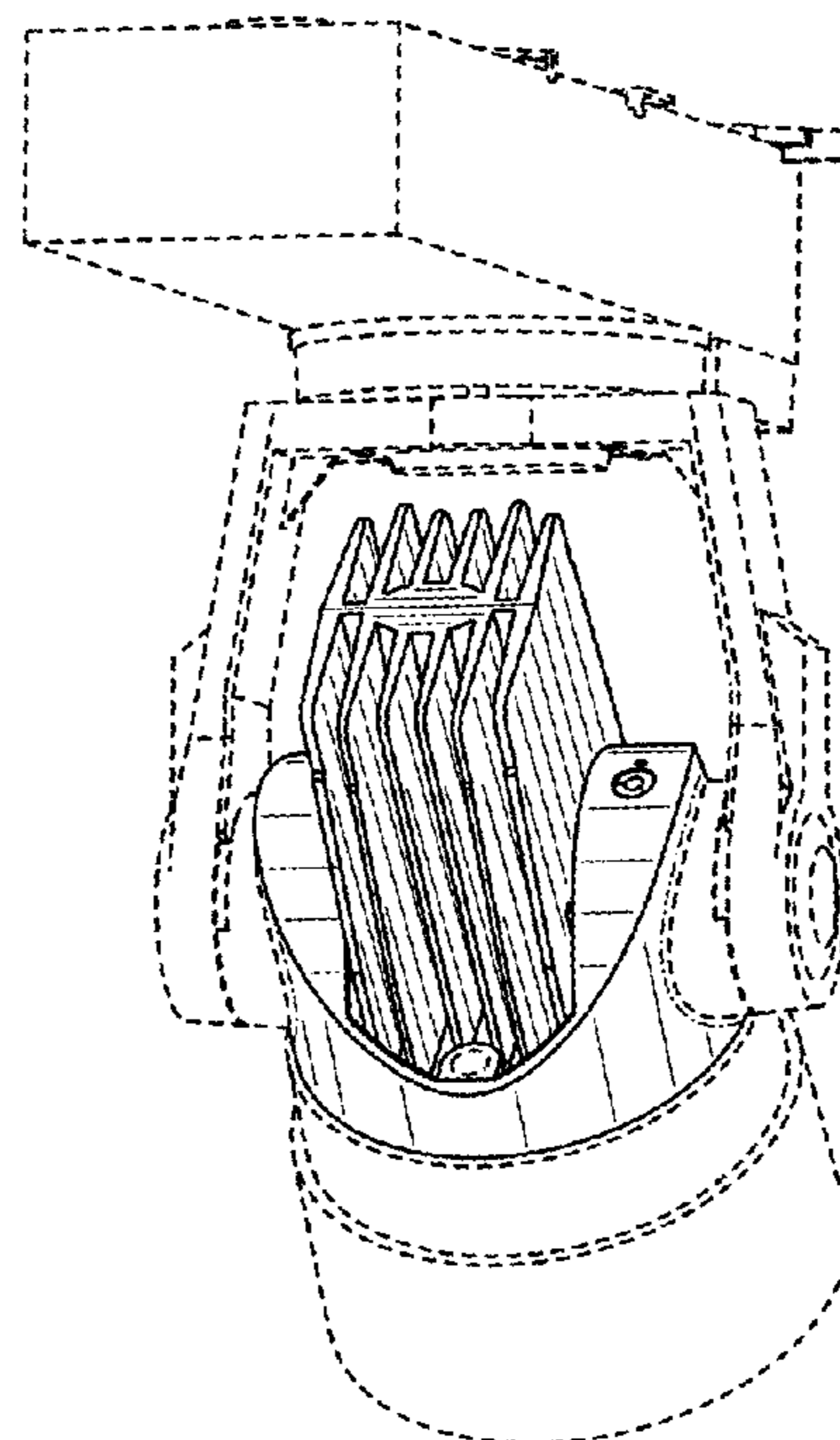
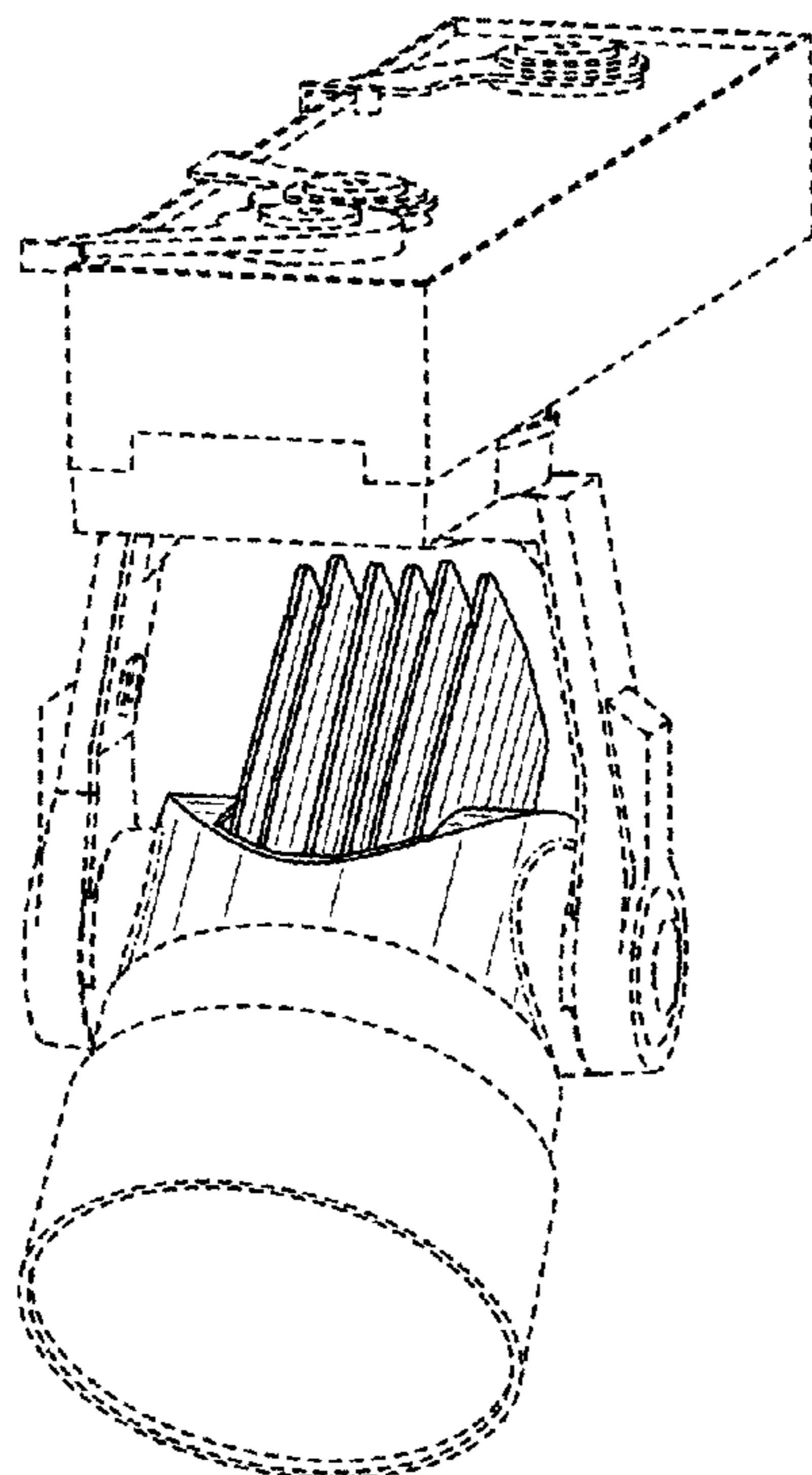


FIG. 1

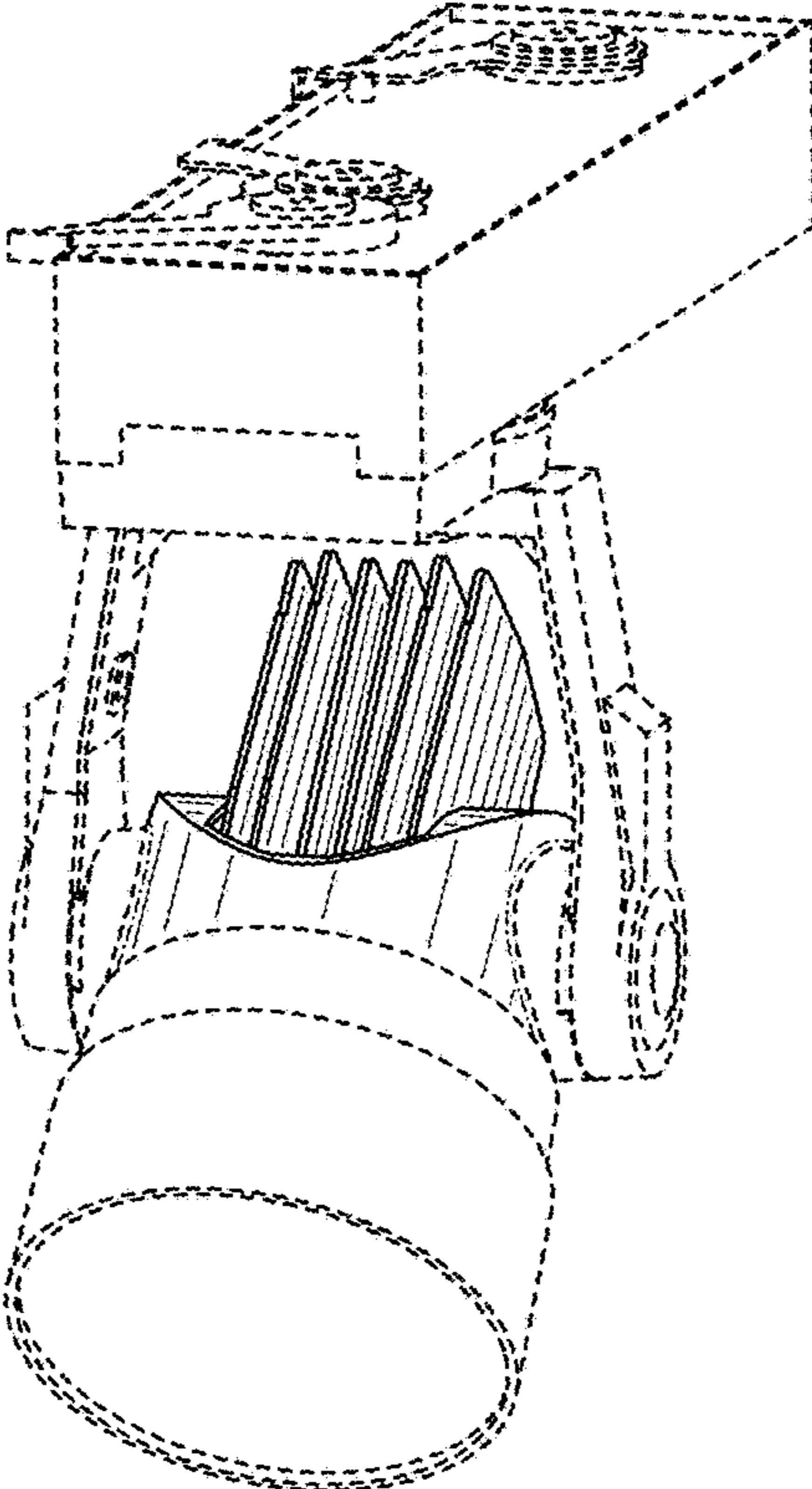


FIG. 2

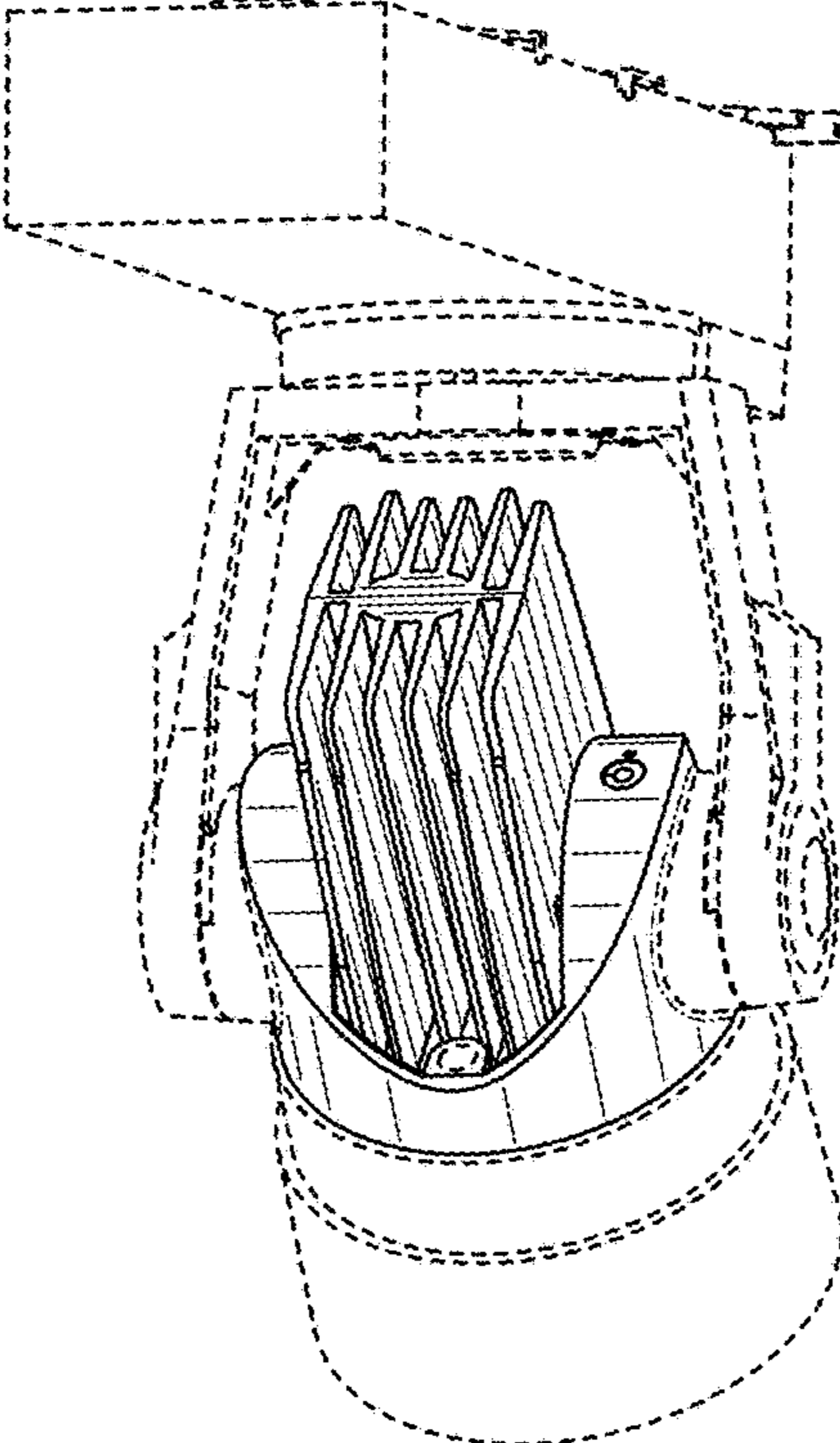


FIG. 3

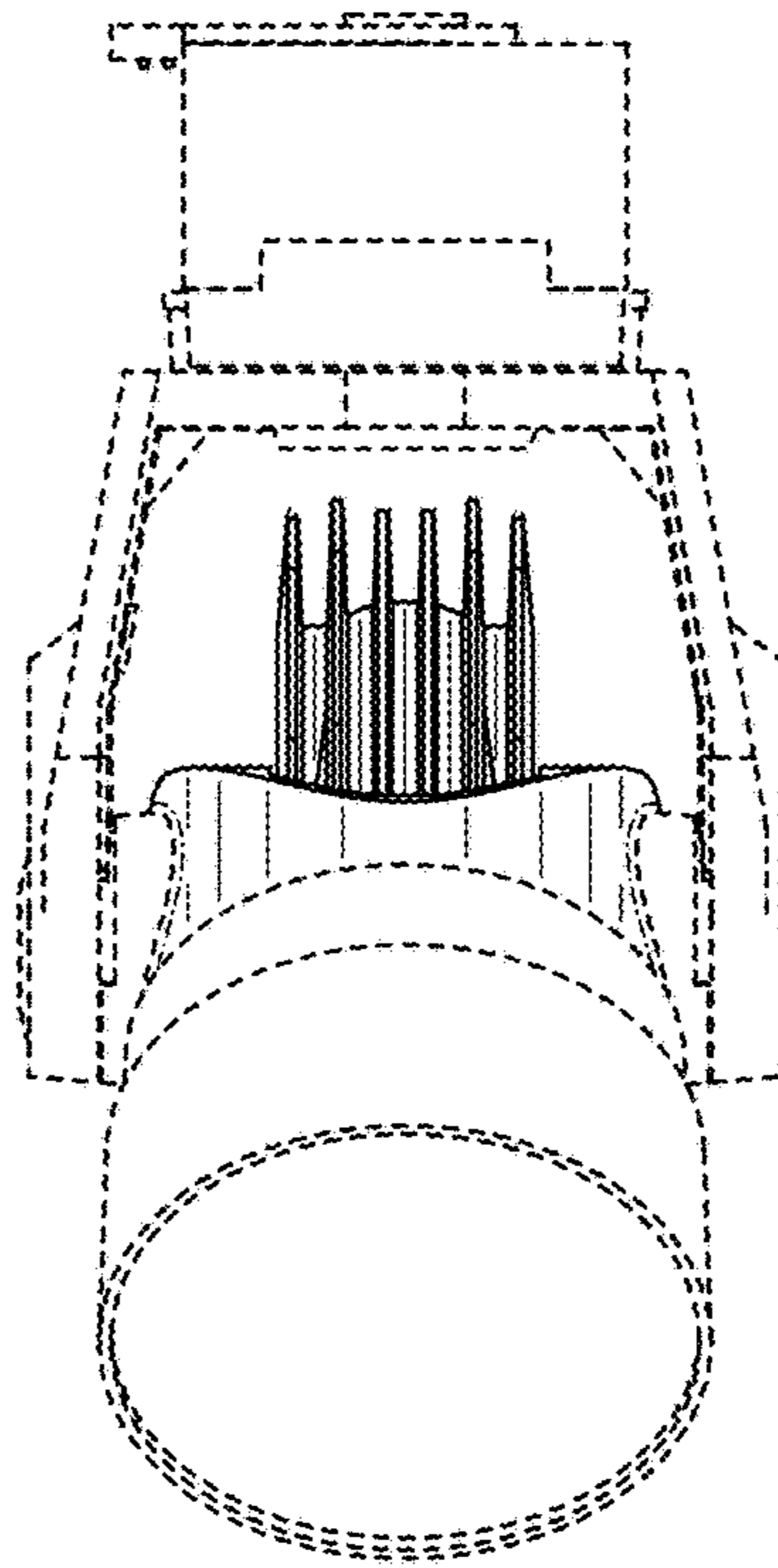


FIG. 4

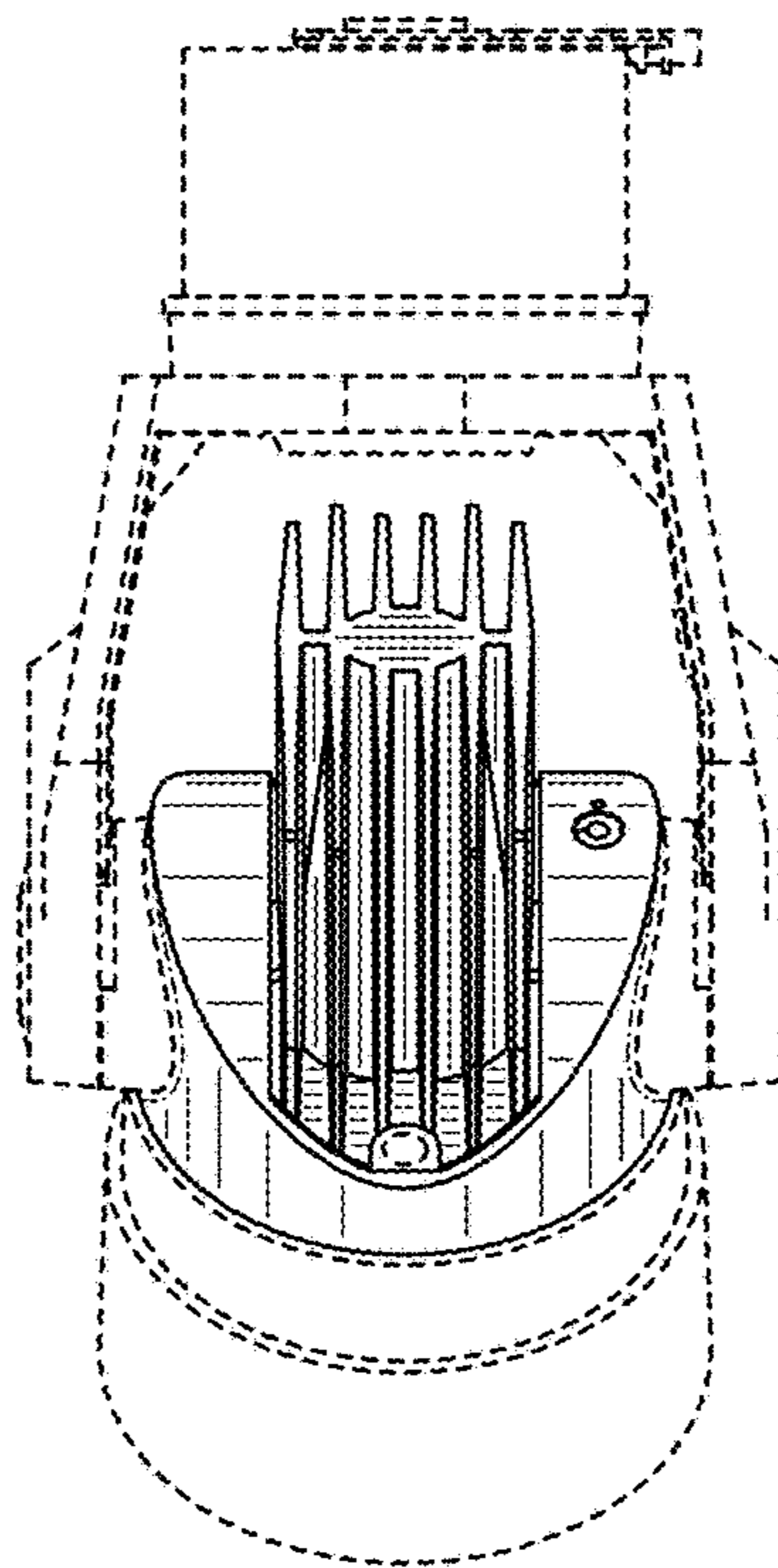


FIG. 5

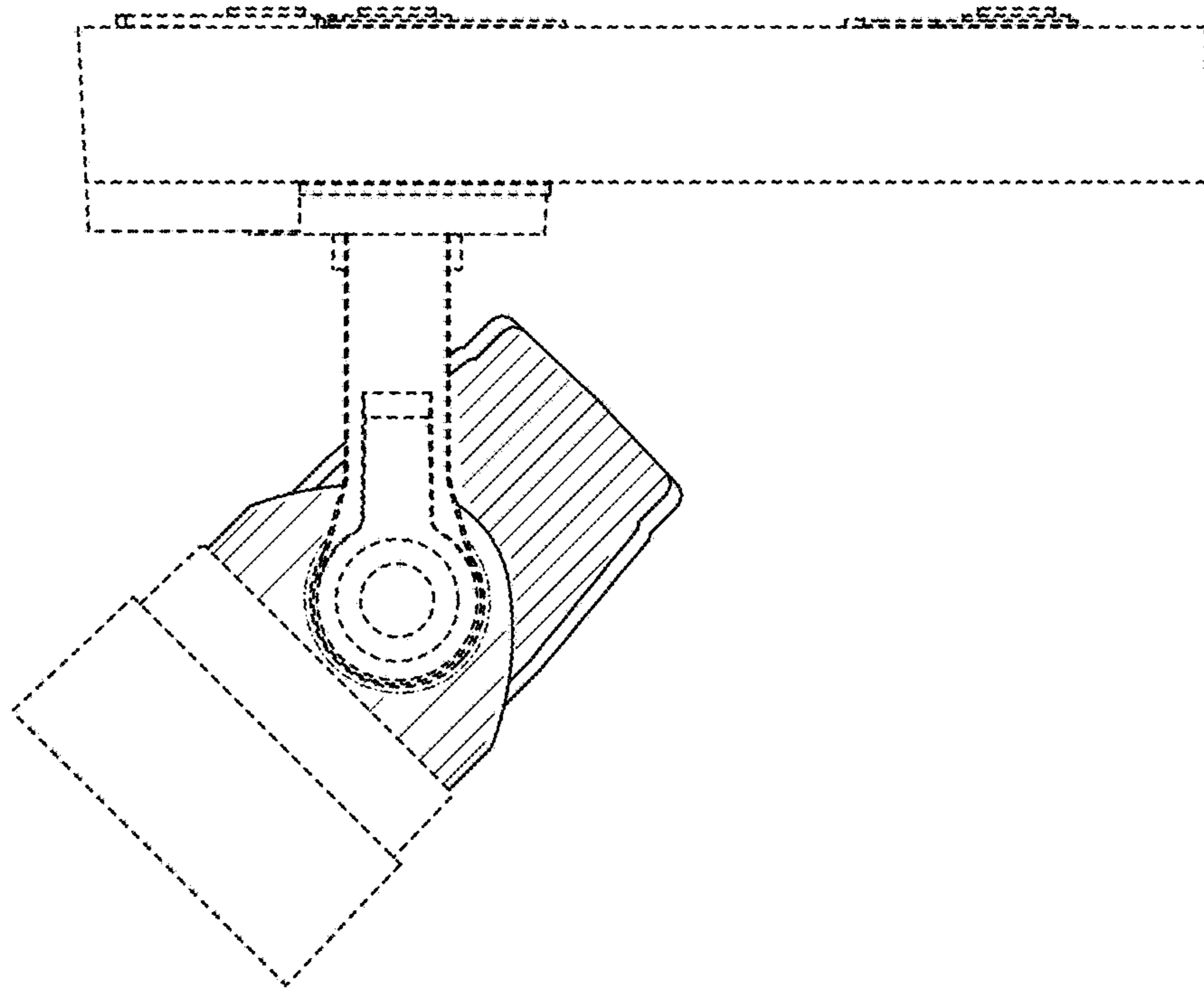


FIG. 6

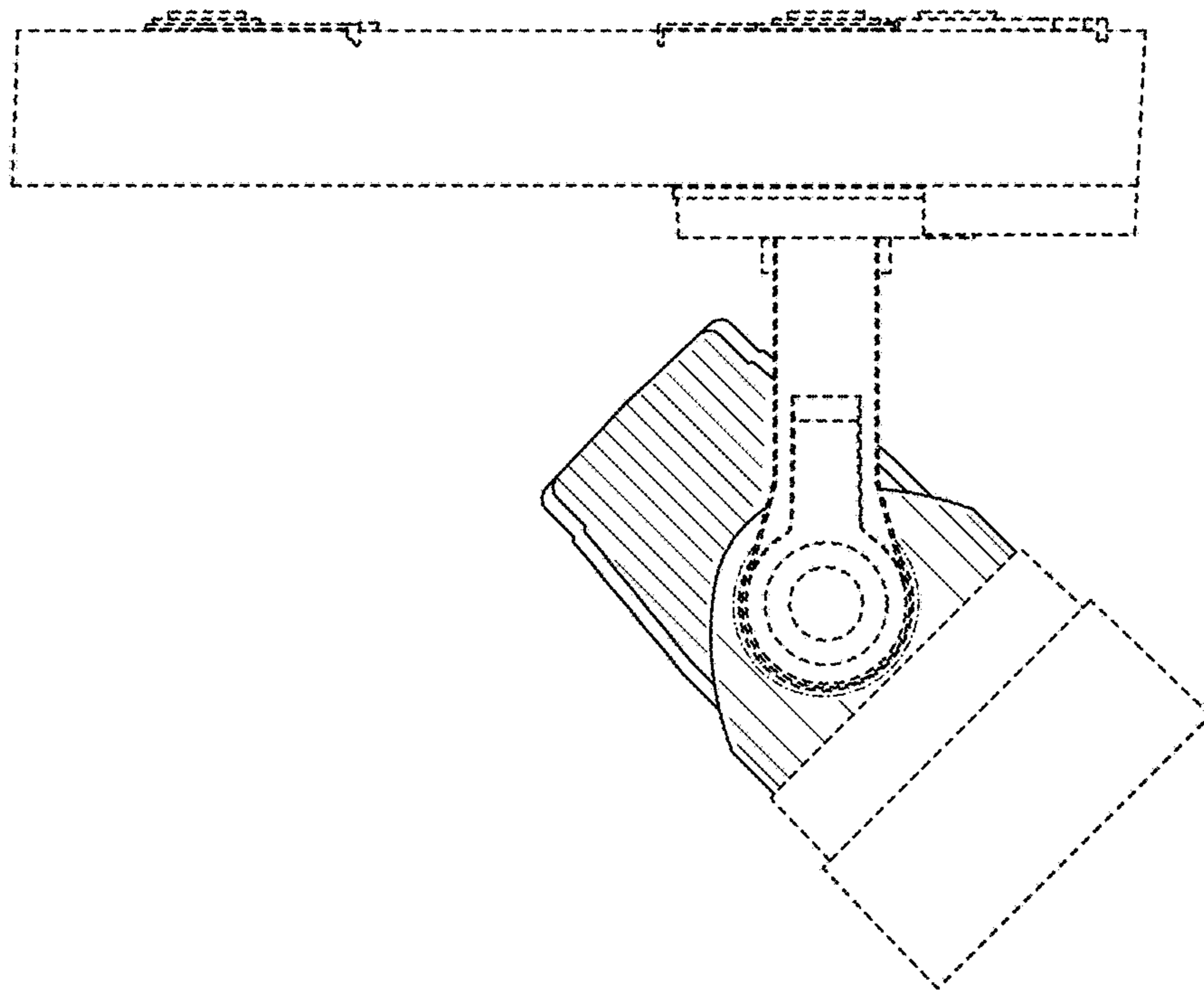


FIG. 7

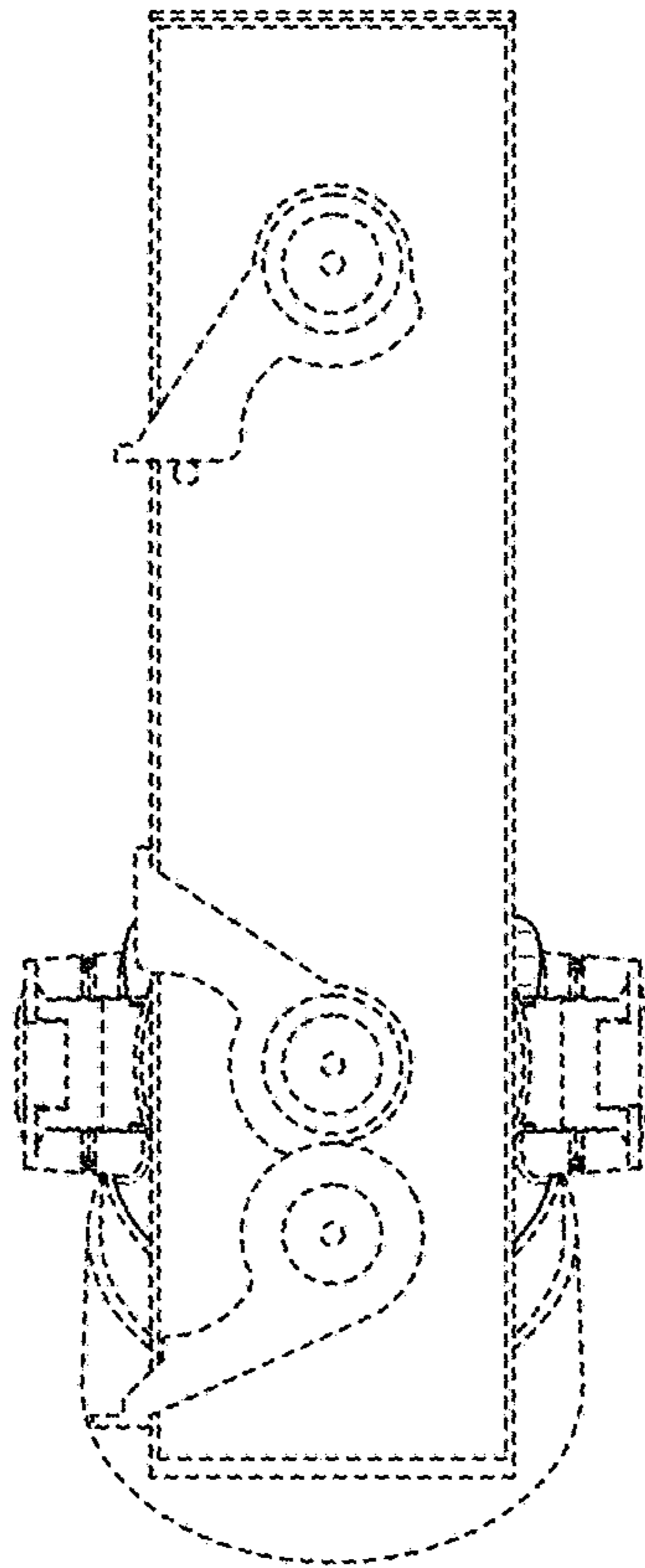


FIG. 8

