



US00D780969S

(12) **United States Design Patent**  
**Zhu**

(10) **Patent No.:** **US D780,969 S**  
(45) **Date of Patent:** **\*\* Mar. 7, 2017**

(54) **LED LIGHT**

(71) Applicant: **NINGBO HENGJIAN PHOTOELECTRON TECHNOLOGY CO., LTD.**, Ningbo, Zhejiang (CN)

(72) Inventor: **Jianjun Zhu**, Zhejiang (CN)

(73) Assignee: **NINGBO HENGJIAN PHOTOELECTRON TECHNOLOGY CO., LTD.**, Ningbo (CN)

(\*\*) Term: **15 Years**

(21) Appl. No.: **29/562,663**

(22) Filed: **Apr. 27, 2016**

(30) **Foreign Application Priority Data**

Mar. 16, 2016 (CN) ..... 2016 3 0074759

(51) **LOC (10) Cl.** ..... **26-03**

(52) **U.S. Cl.**  
USPC ..... **D26/63**

(58) **Field of Classification Search**  
USPC ..... D26/1, 24, 61, 63, 65, 85, 92  
CPC ..... F21V 21/14; F21V 15/01; F21V 14/02;  
F21V 21/30; F21V 21/00; F21V 14/00;  
F21S 8/00; F21S 8/003; F21S 8/043;  
F21Y 2105/001

See application file for complete search history.

(56) **References Cited**

**U.S. PATENT DOCUMENTS**

D744,139 S \* 11/2015 Itoh ..... D26/63  
D754,383 S \* 4/2016 Kovacic ..... D26/63

\* cited by examiner

*Primary Examiner* — Brian N Vinson

(74) *Attorney, Agent, or Firm* — Loza & Loza, LLP;  
Heidi L. Eisenhut

(57) **CLAIM**

The ornamental design for an LED light, as shown and described.

**DESCRIPTION**

FIG. 1 is a front view of a first embodiment of an LED light showing my new design;

FIG. 2 is a rear view thereof;

FIG. 3 is a top view thereof;

FIG. 4 is a bottom view thereof;

FIG. 5 is a left side view thereof;

FIG. 6 is a right and front perspective view thereof;

FIG. 7 is a right view thereof;

FIG. 8 is a front view of a second embodiment of an LED light showing my new design;

FIG. 9 is a rear view thereof;

FIG. 10 is a top view thereof;

FIG. 11 is a bottom view thereof;

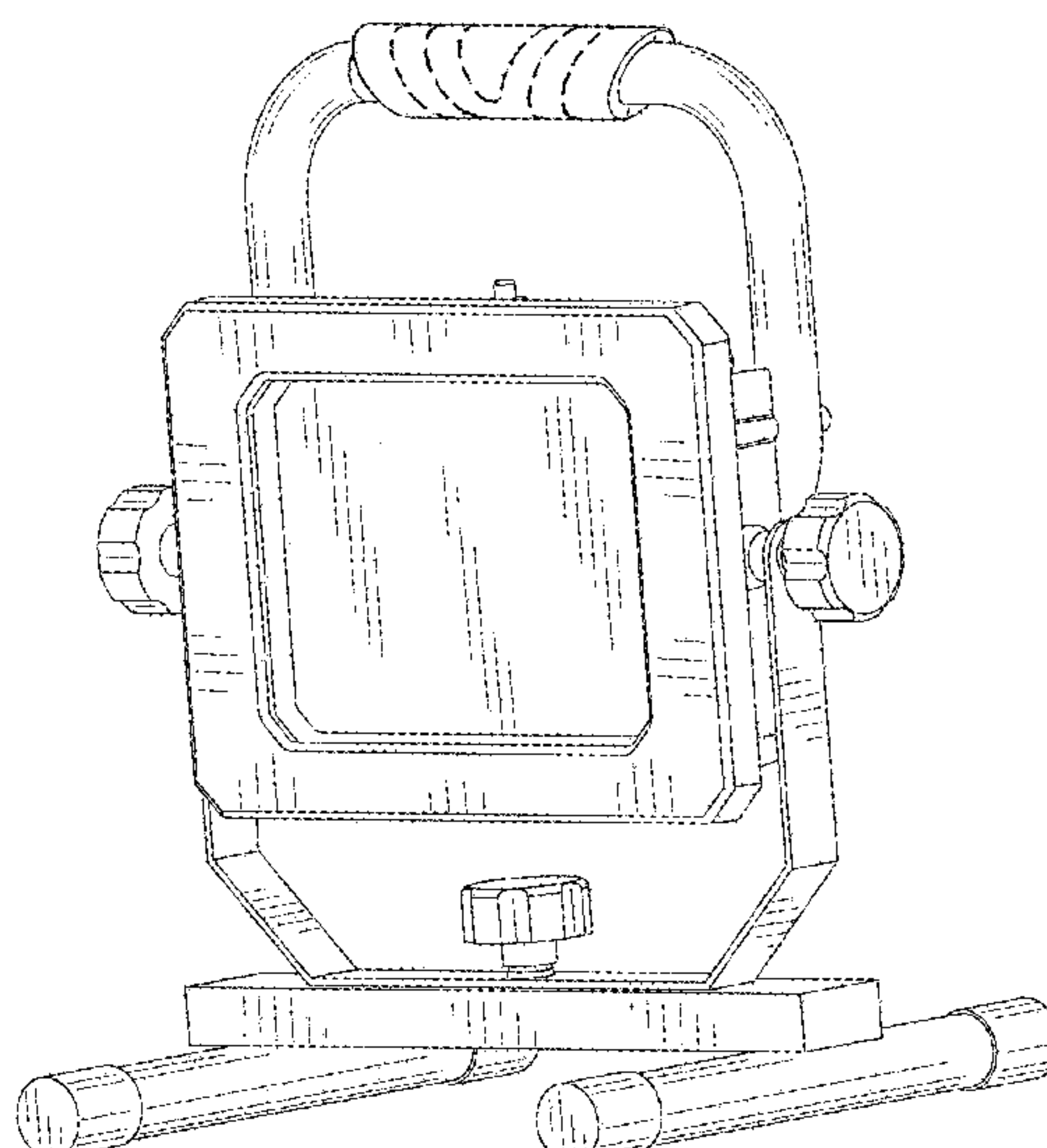
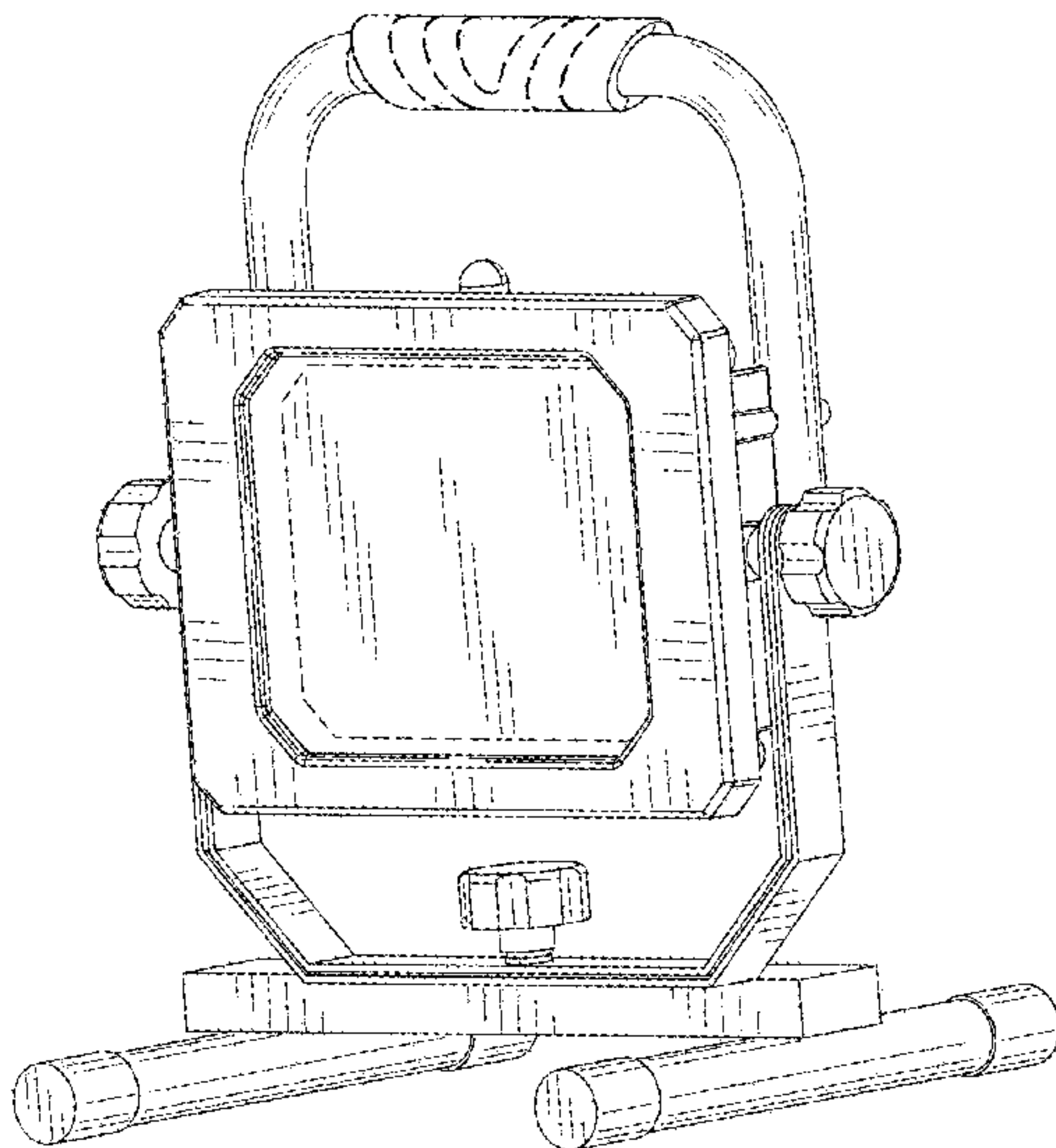
FIG. 12 is a left side view thereof;

FIG. 13 is a right side view thereof; and,

FIG. 14 is a right and front perspective view thereof.

The broken line disclosure represents portions of the light which form no part of the claimed design.

**1 Claim, 14 Drawing Sheets**



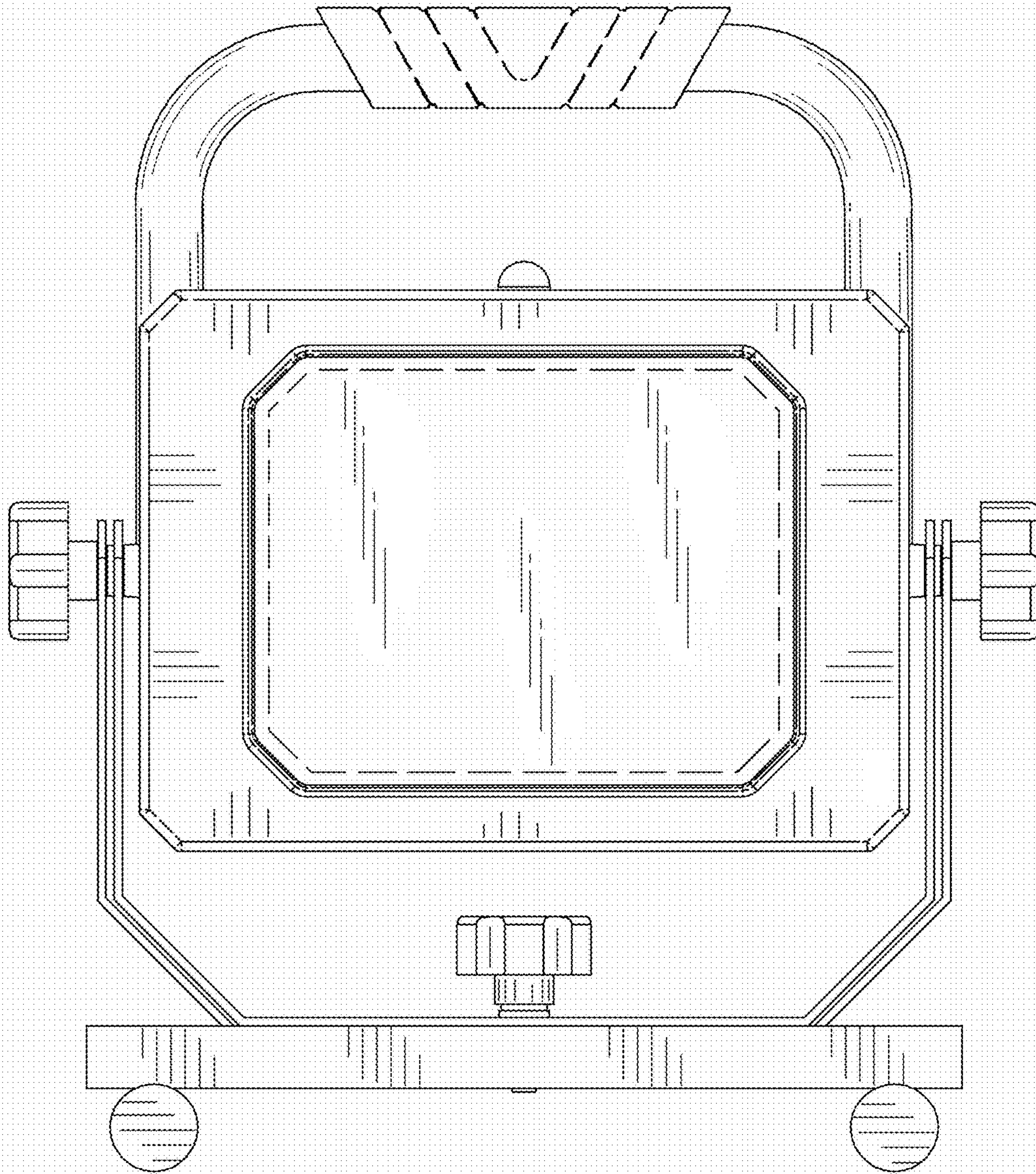


FIG. 1



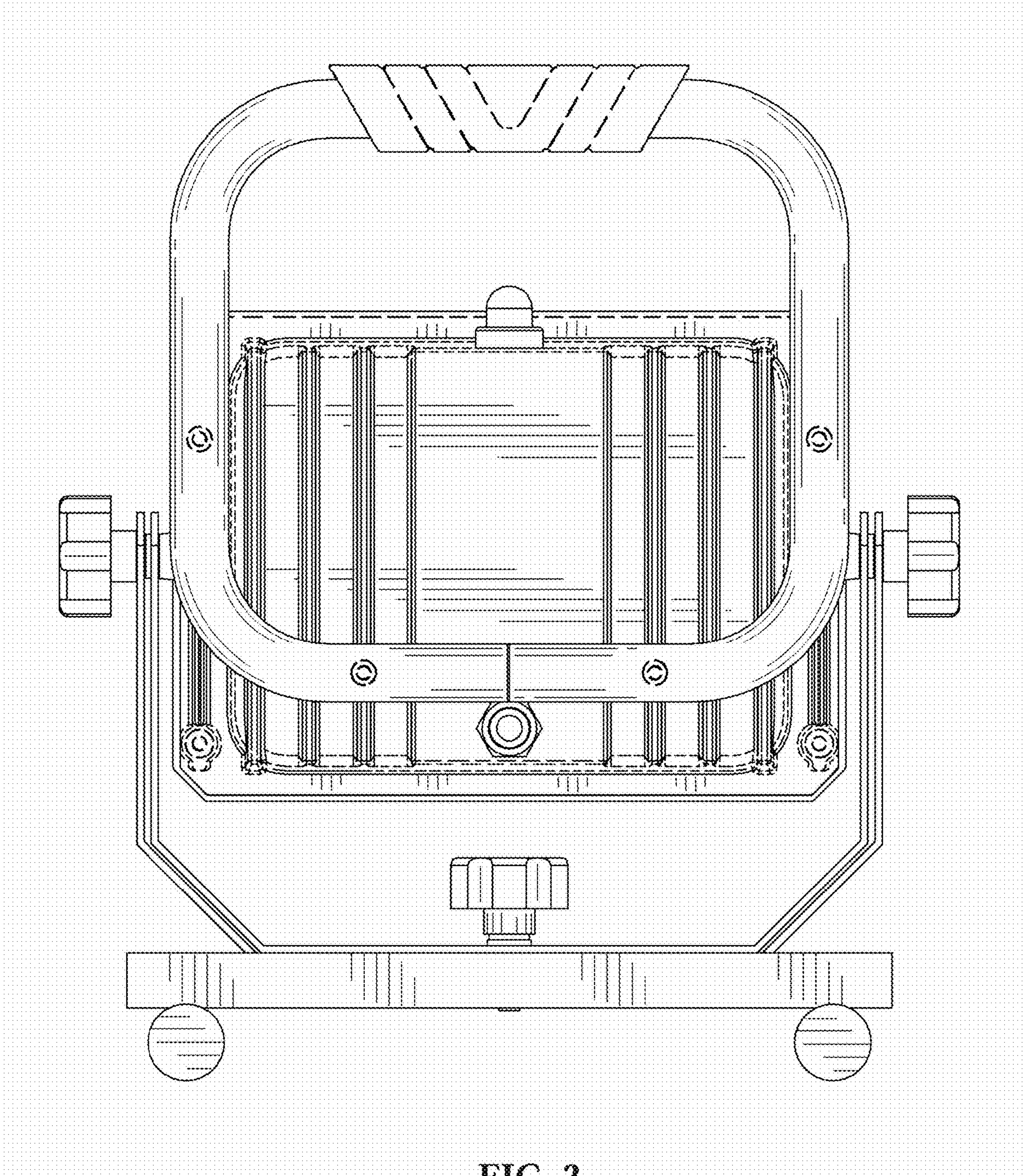


FIG. 2

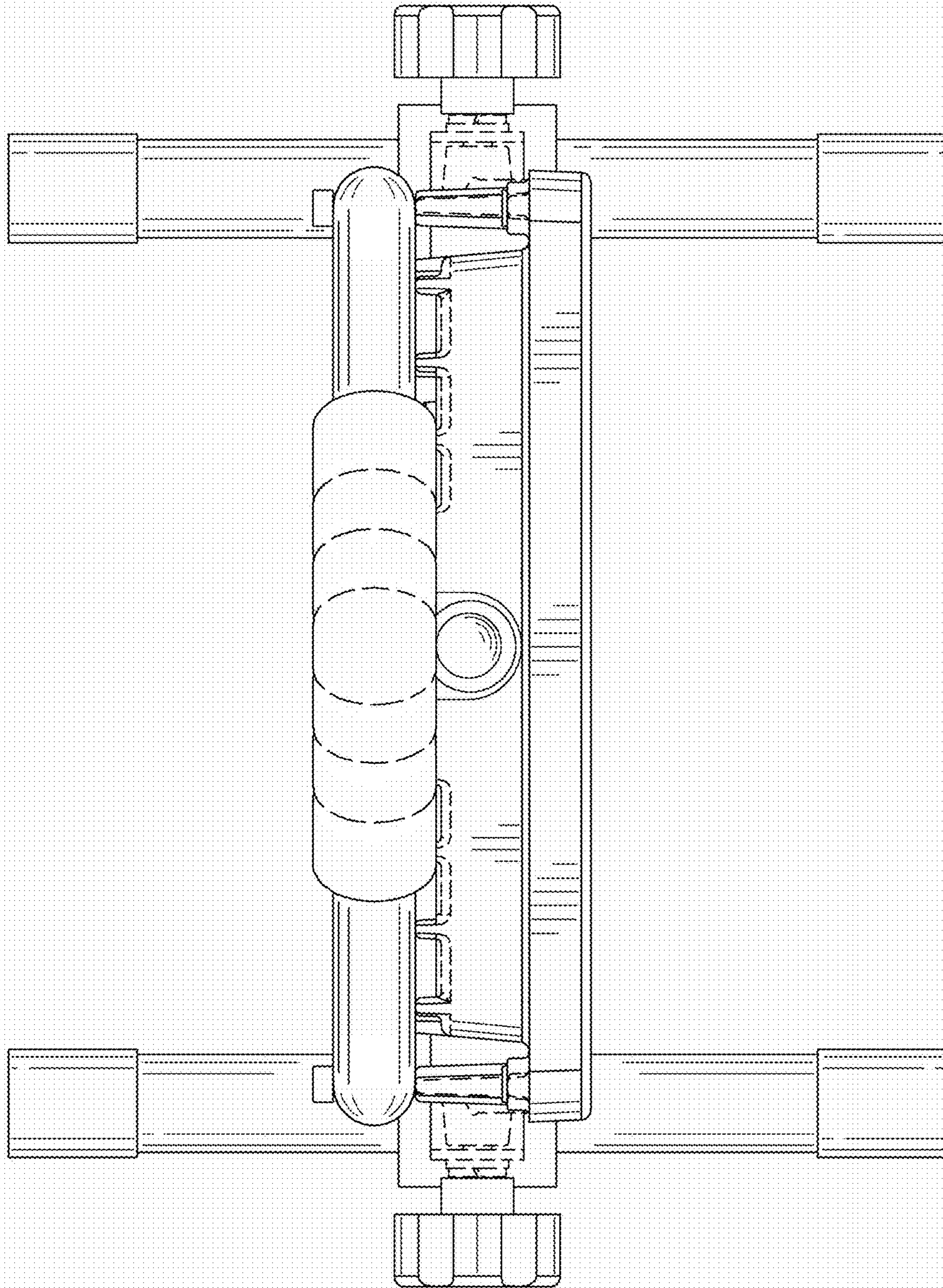


FIG. 3



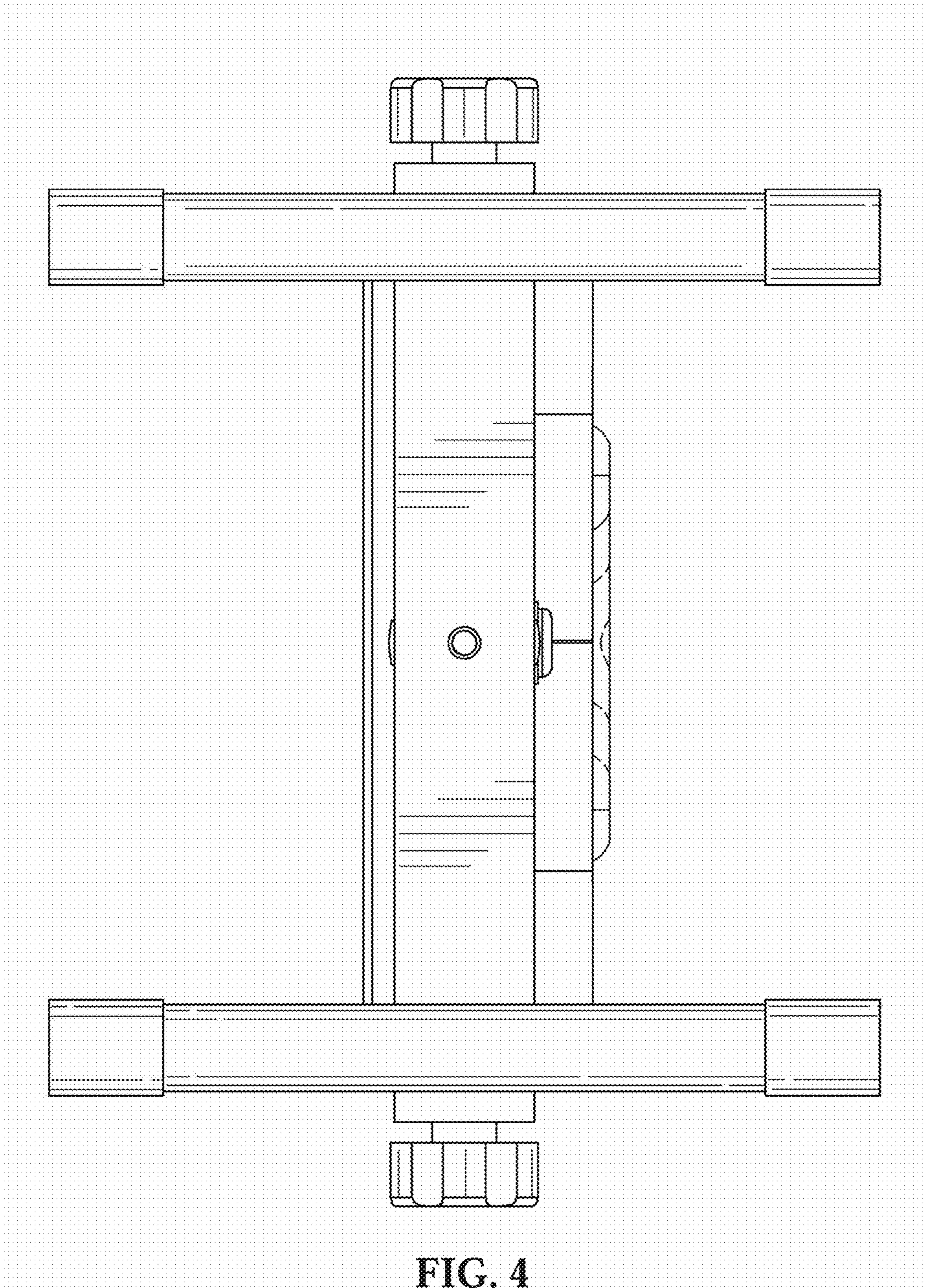


FIG. 4

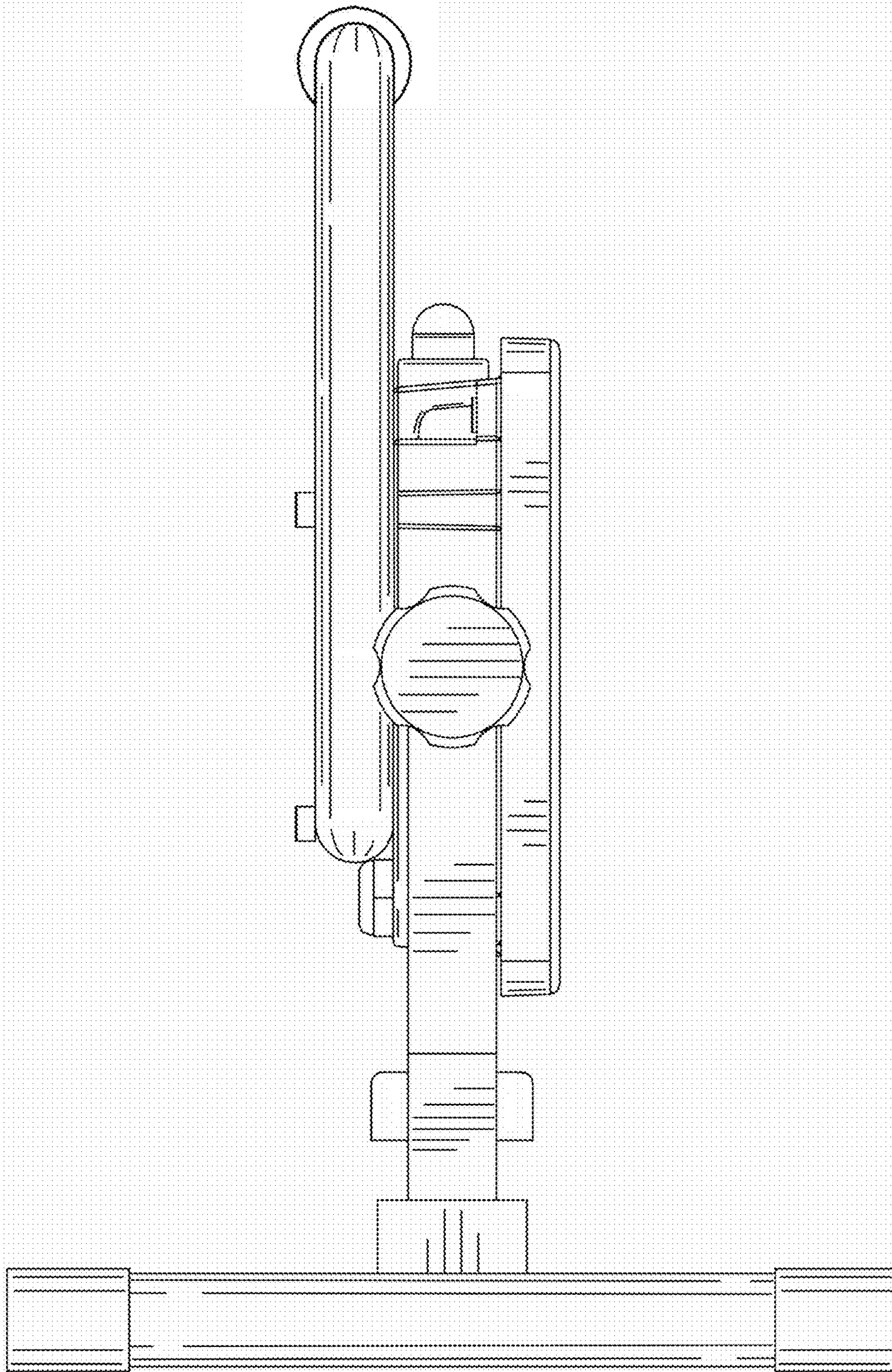


FIG. 5



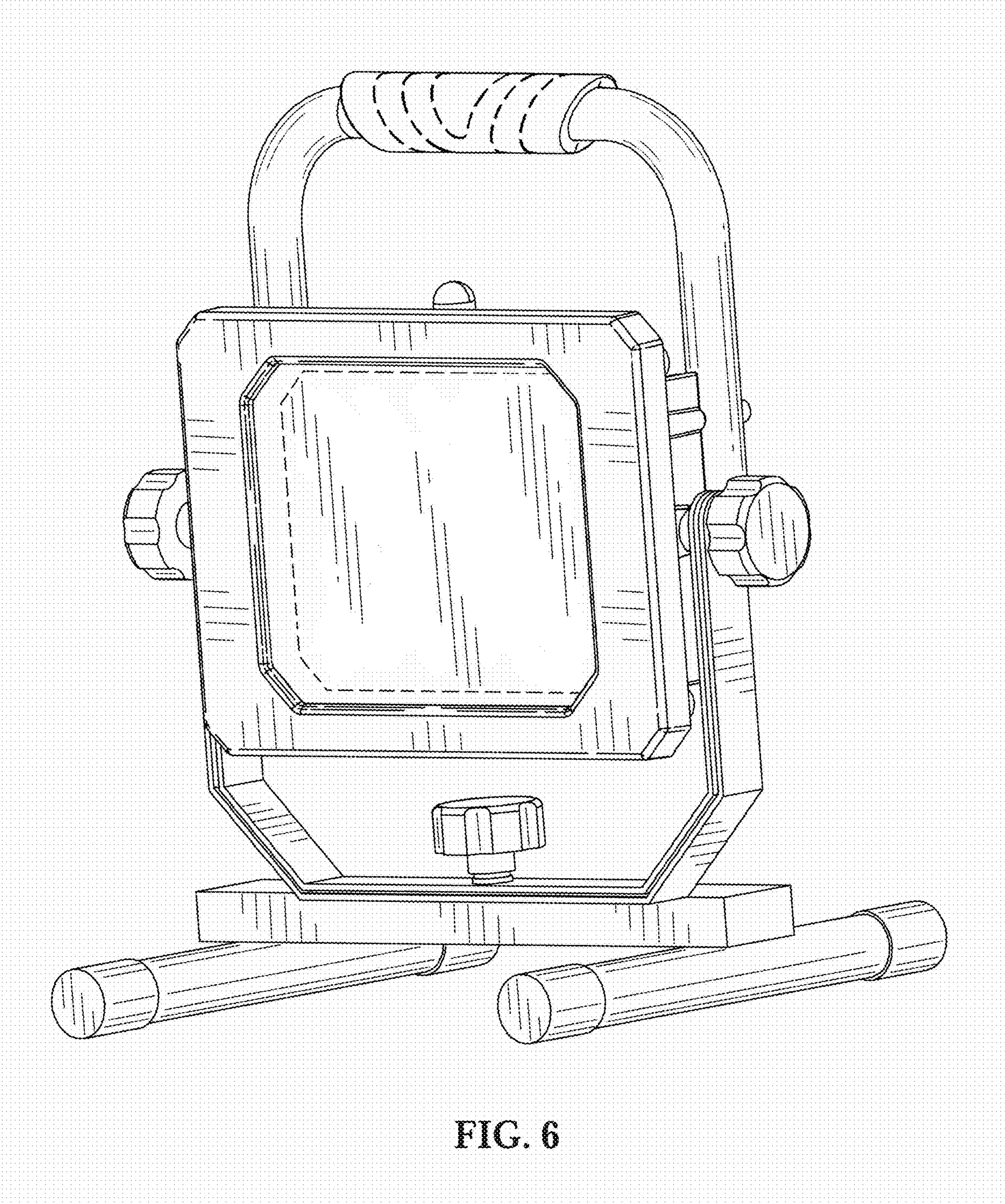


FIG. 6

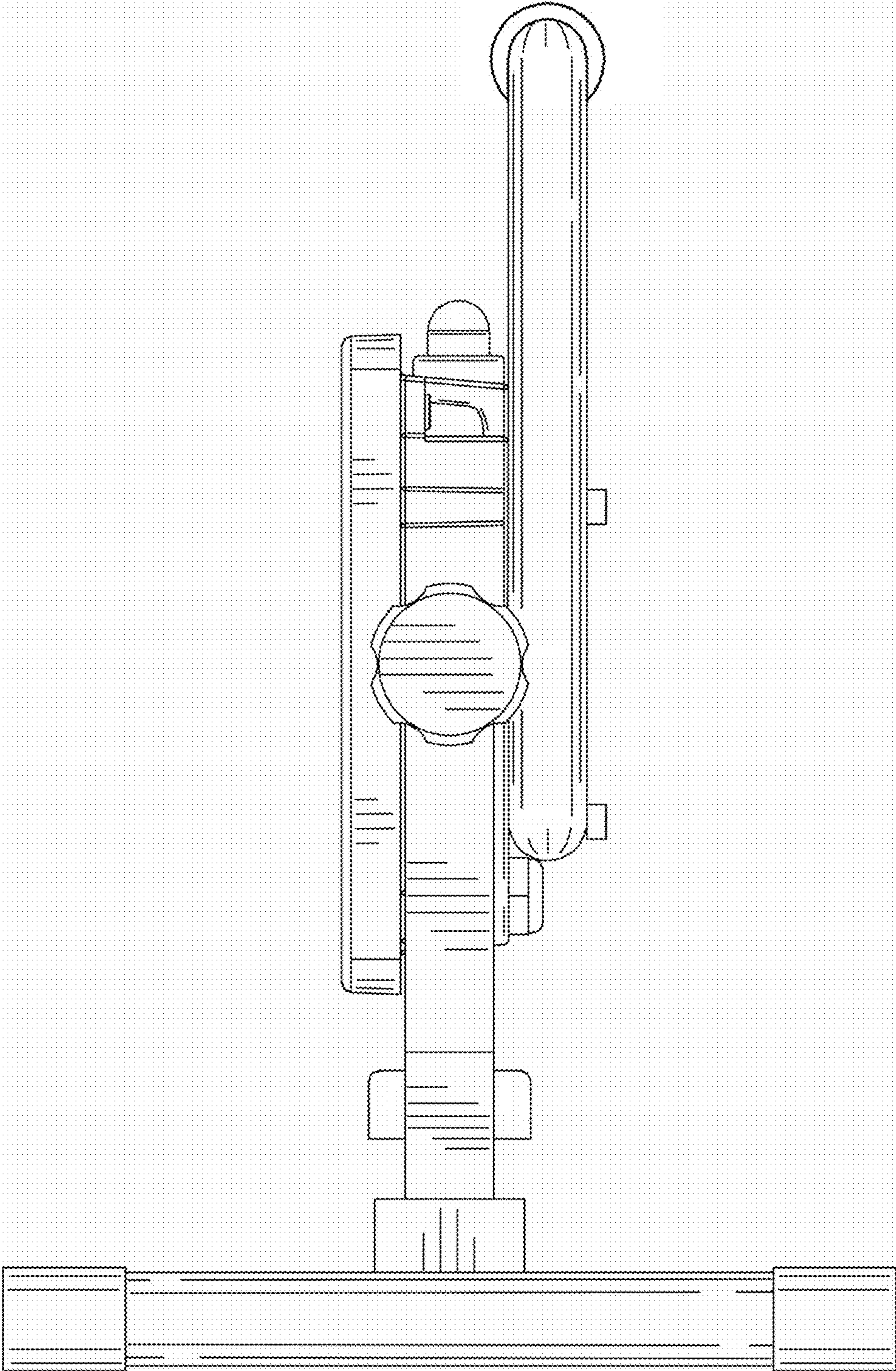


FIG. 7



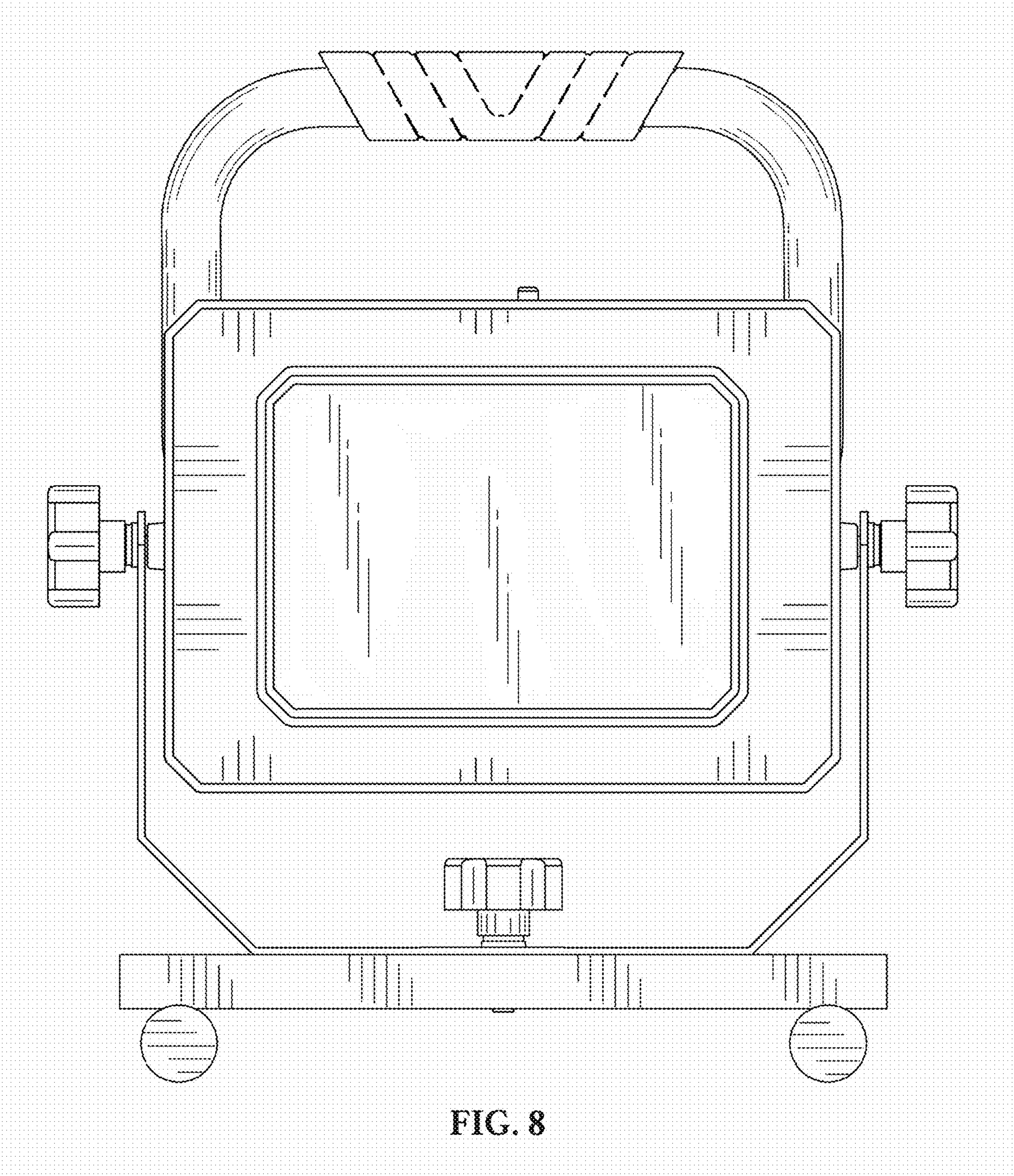


FIG. 8

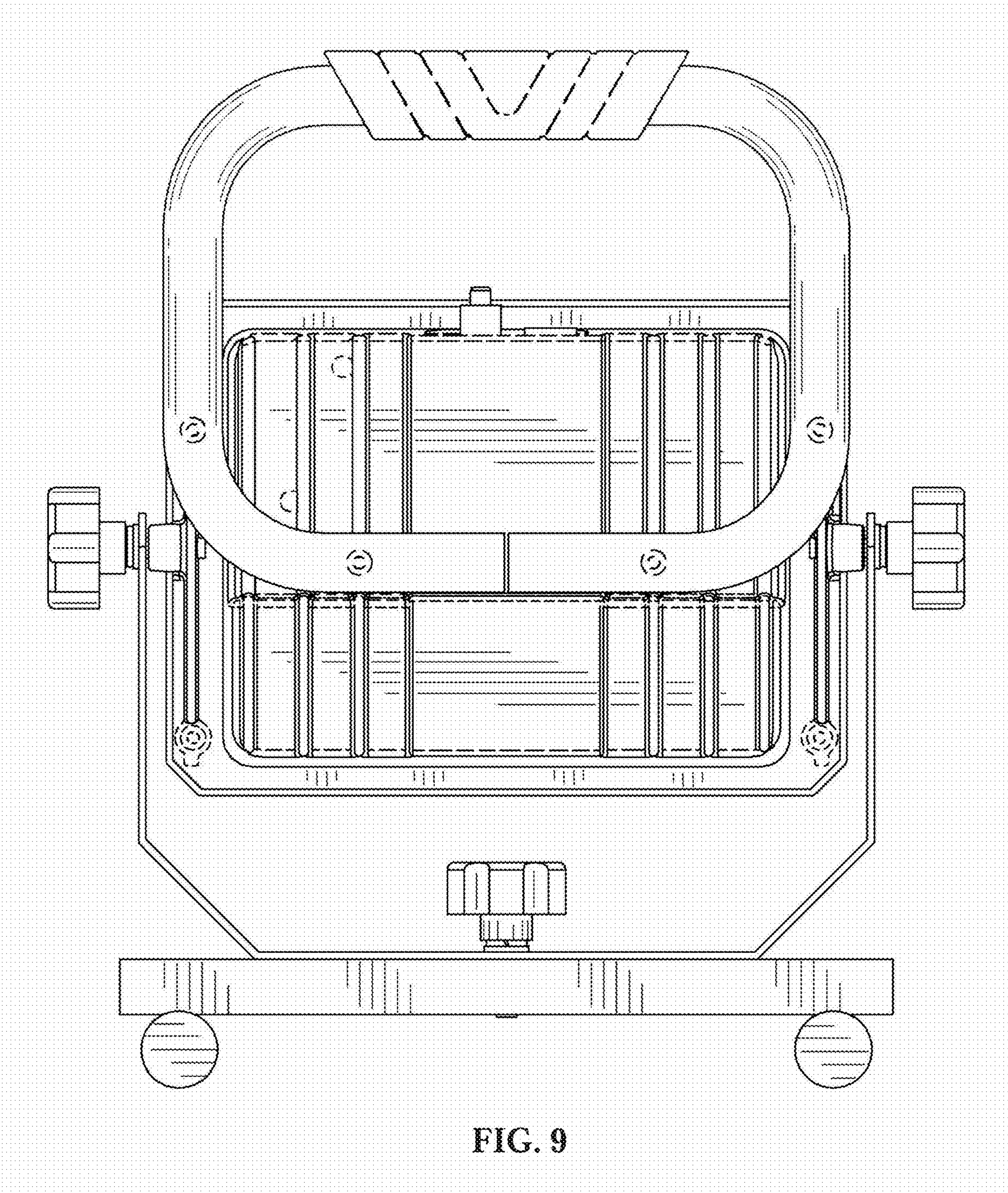


FIG. 9



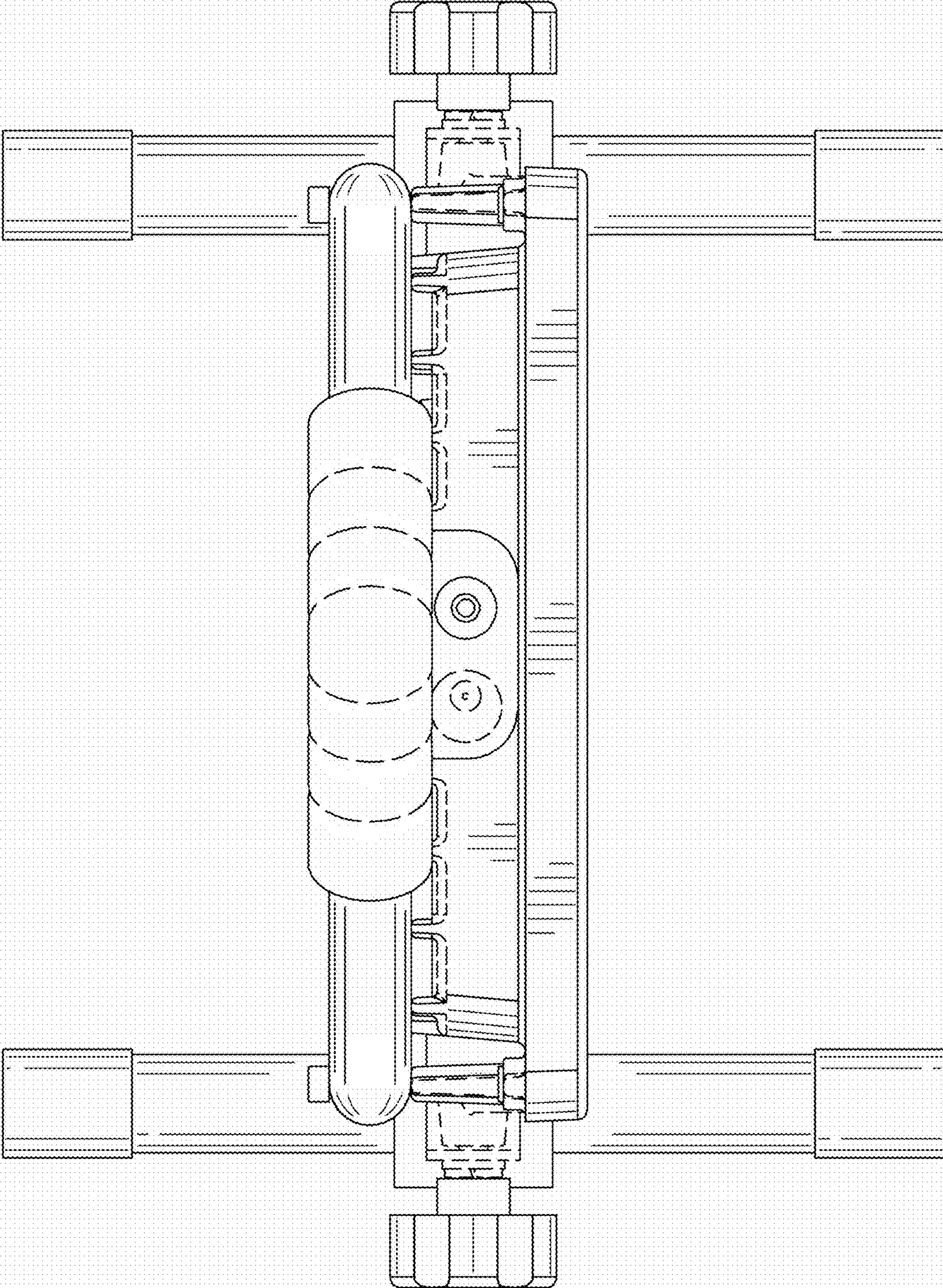


FIG. 10

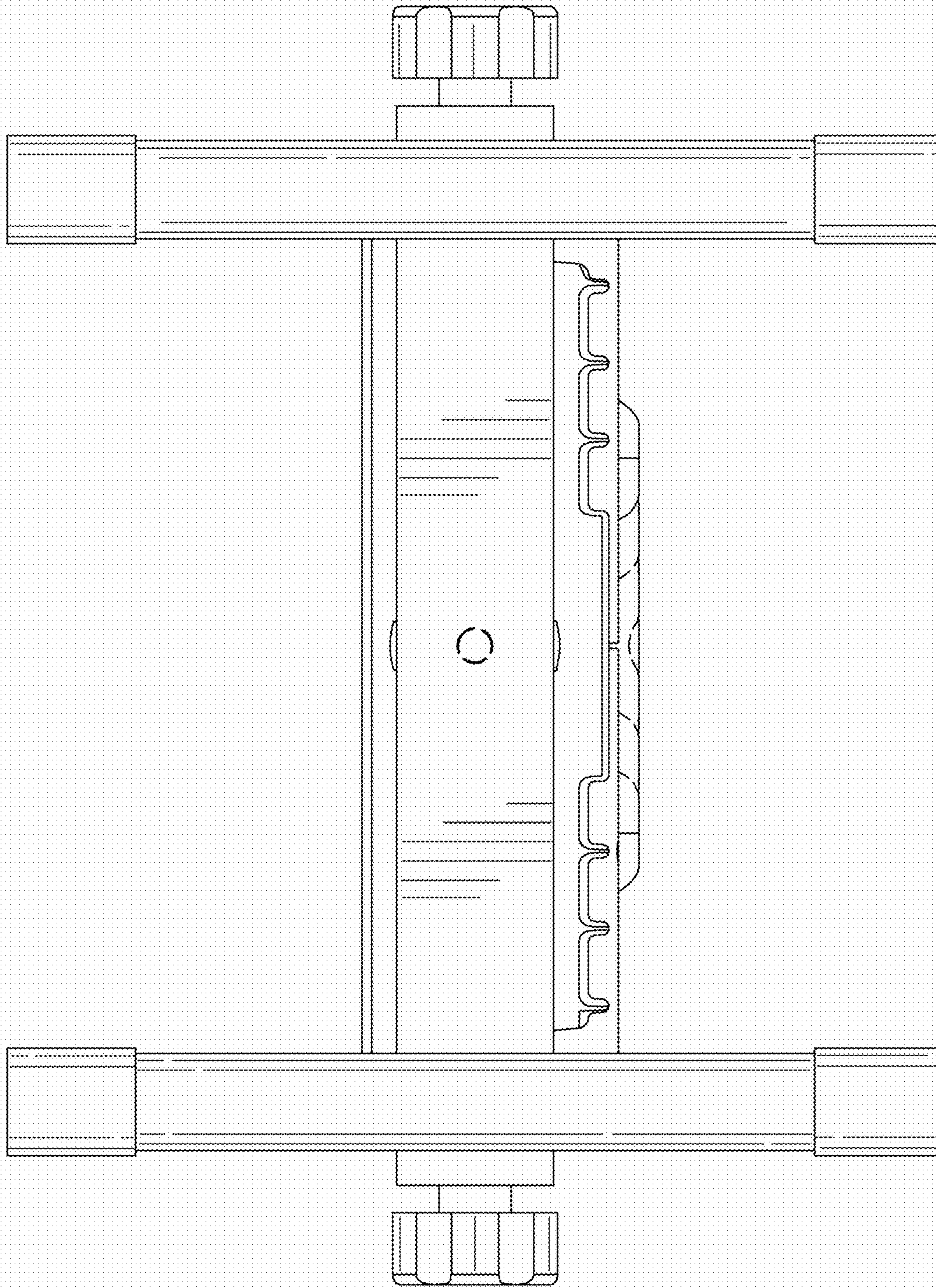


FIG. 11



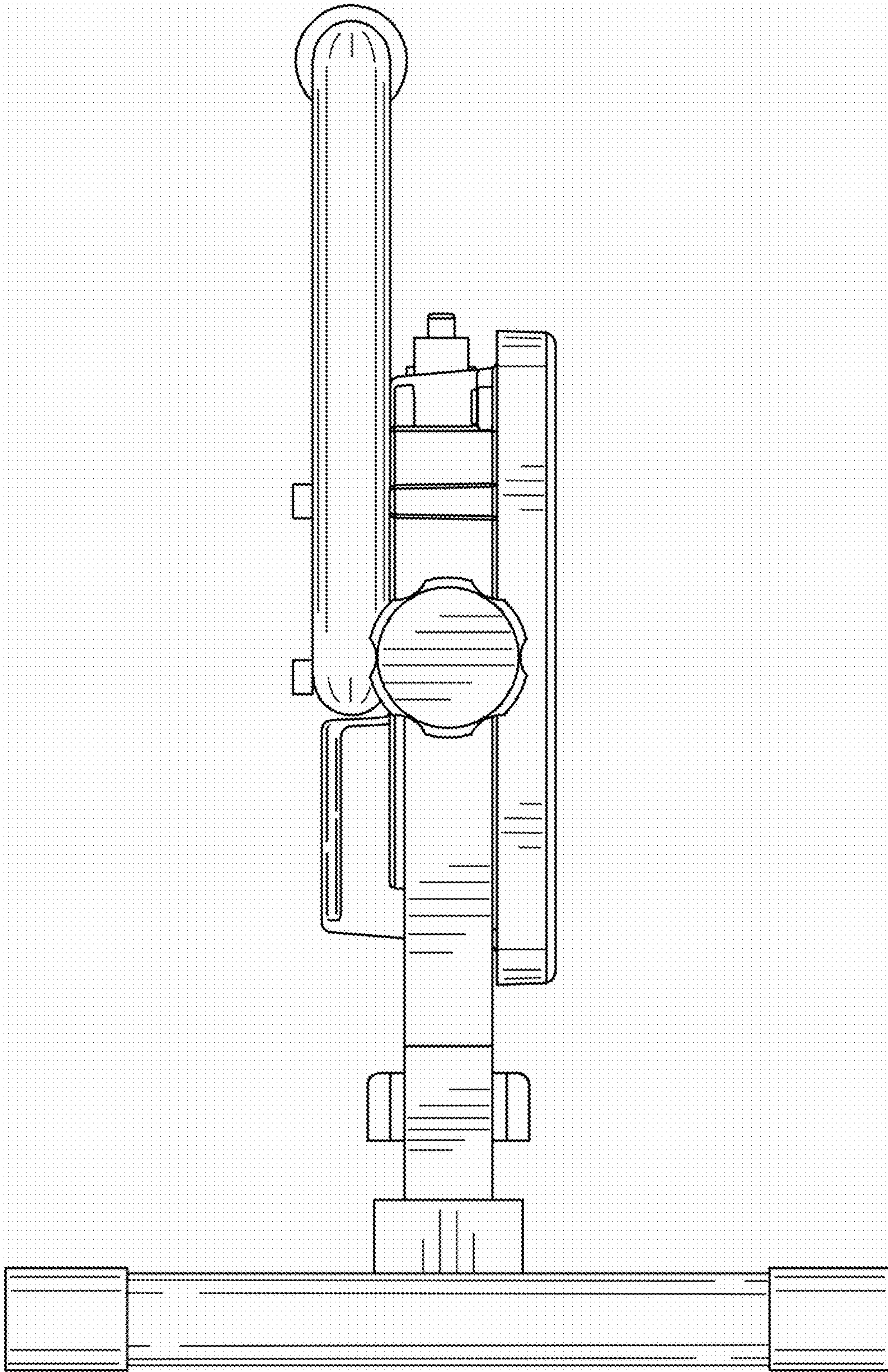


FIG. 12

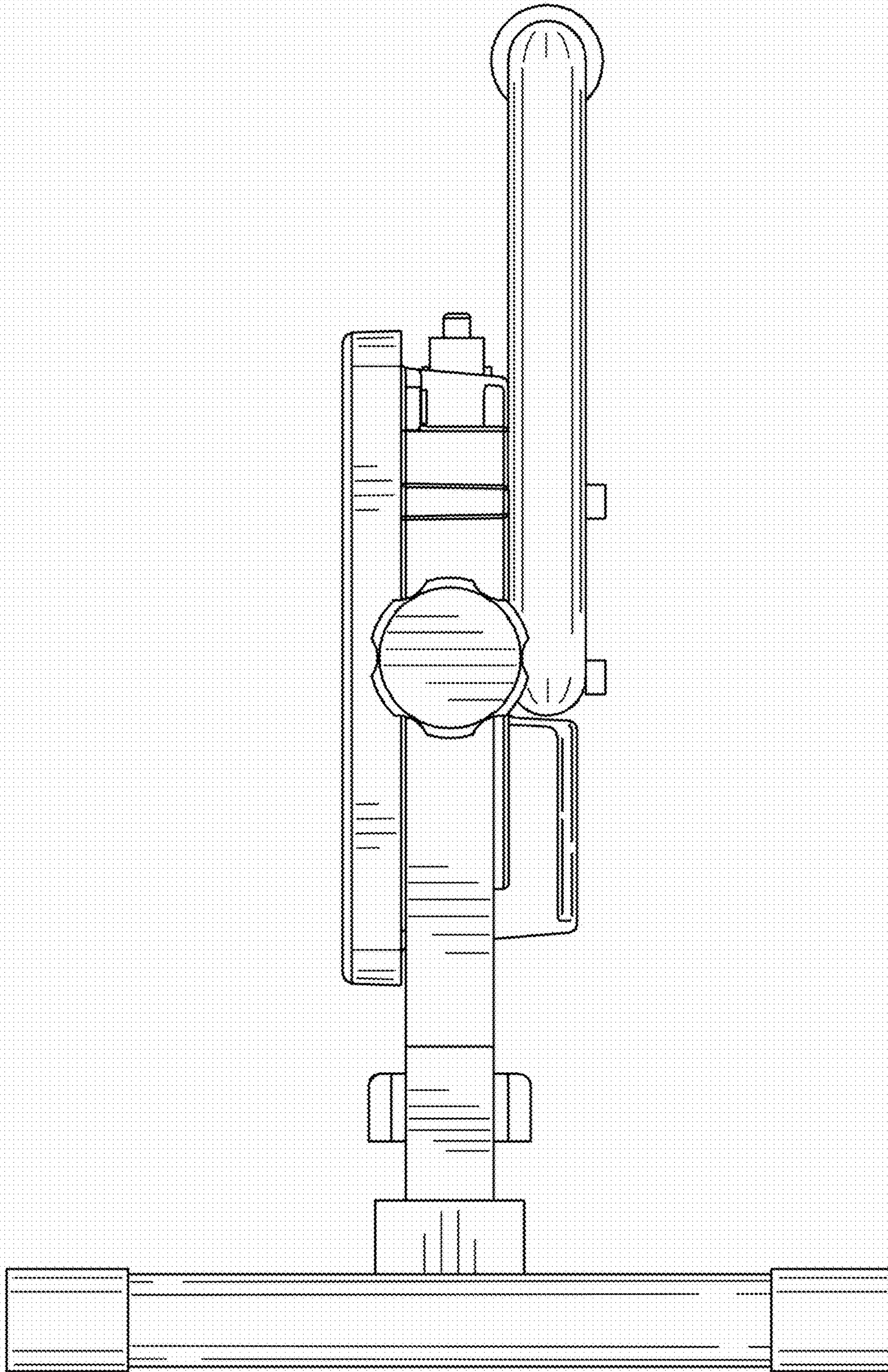


FIG. 13



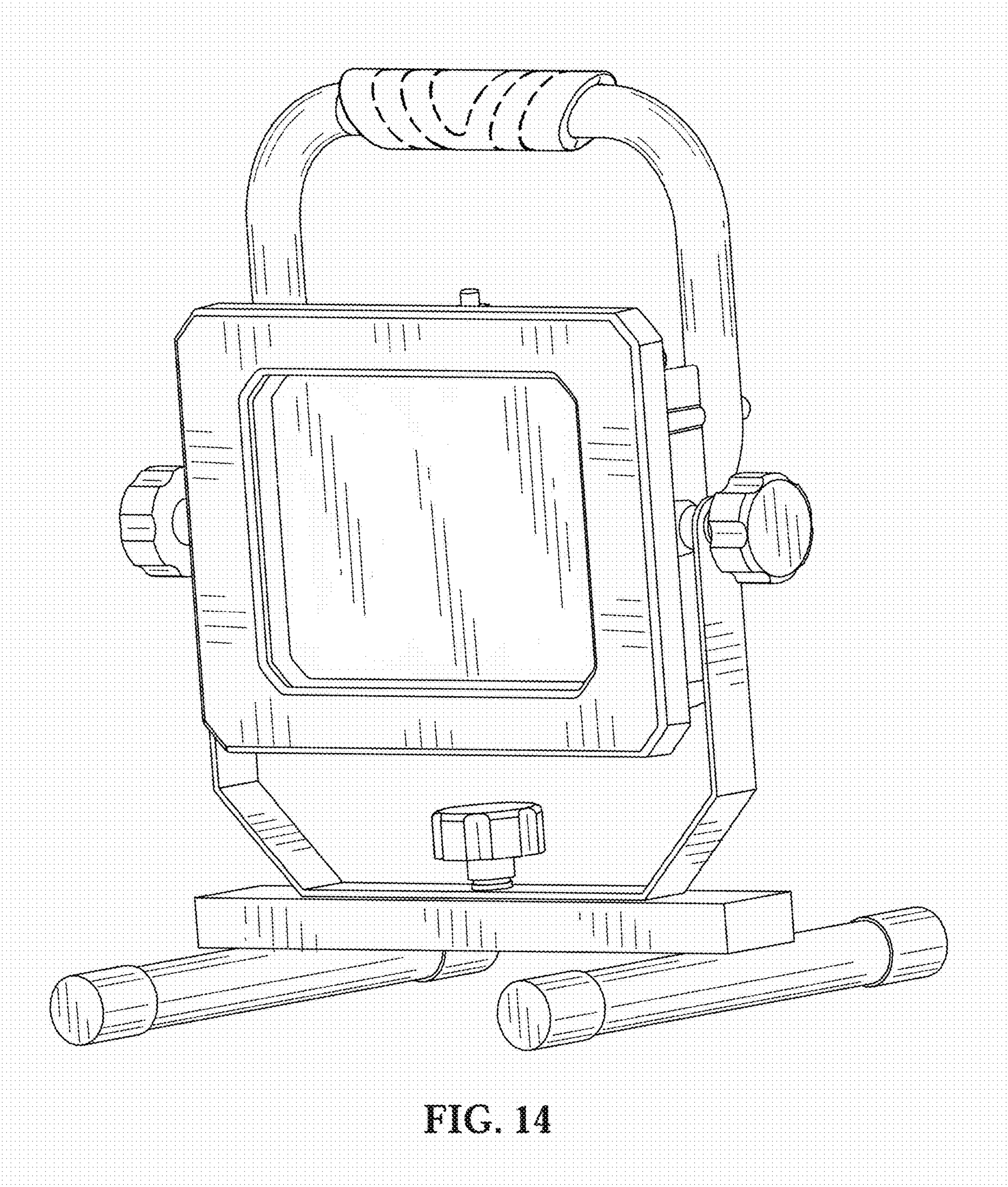


FIG. 14