



US00D780968S

(12) **United States Design Patent**
Jun

(10) **Patent No.:** **US D780,968 S**
(45) **Date of Patent:** **** Mar. 7, 2017**

(54) **FLEXIBLE WORK LIGHT WITH MAGNET**

(71) Applicant: **Gong Cheng Jun**, Ningbo (CN)

(72) Inventor: **Gong Cheng Jun**, Ningbo (CN)

(73) Assignee: **Ningbo Superlite Trading Co., Ltd.**,
Ninghai, Ningbo (CN)

(**) Term: **14 Years**

(21) Appl. No.: **29/523,350**

(22) Filed: **Apr. 8, 2015**

(51) **LOC (10) Cl.** **26-03**

(52) **U.S. Cl.**
USPC **D26/61**

(58) **Field of Classification Search**

USPC D26/24, 61, 63, 60, 106, 107

CPC F21S 6/00; F21S 6/002; F21V 21/02;
F21W 2131/30

See application file for complete search history.

(56) **References Cited**

U.S. PATENT DOCUMENTS

D627,505 S * 11/2010 Liu D26/93

D629,131 S * 12/2010 Seal D26/60

D668,808 S * 10/2012 Hoover D26/60

D732,724 S * 6/2015 Ng D26/106

D744,152 S * 11/2015 Lee D26/107

* cited by examiner

Primary Examiner — Brian N Vinson

(74) *Attorney, Agent, or Firm* — Thomas I. Rozsa

(57) **CLAIM**

The ornamental design for a flexible work light with magnet,
as shown and described.

DESCRIPTION

FIG. 1 is a front-side perspective view of the flexible work
light with magnet, showing my new design;

FIG. 2 is a rear-side perspective view thereof;

FIG. 3 is a front view thereof;

FIG. 4 is a rear view thereof;

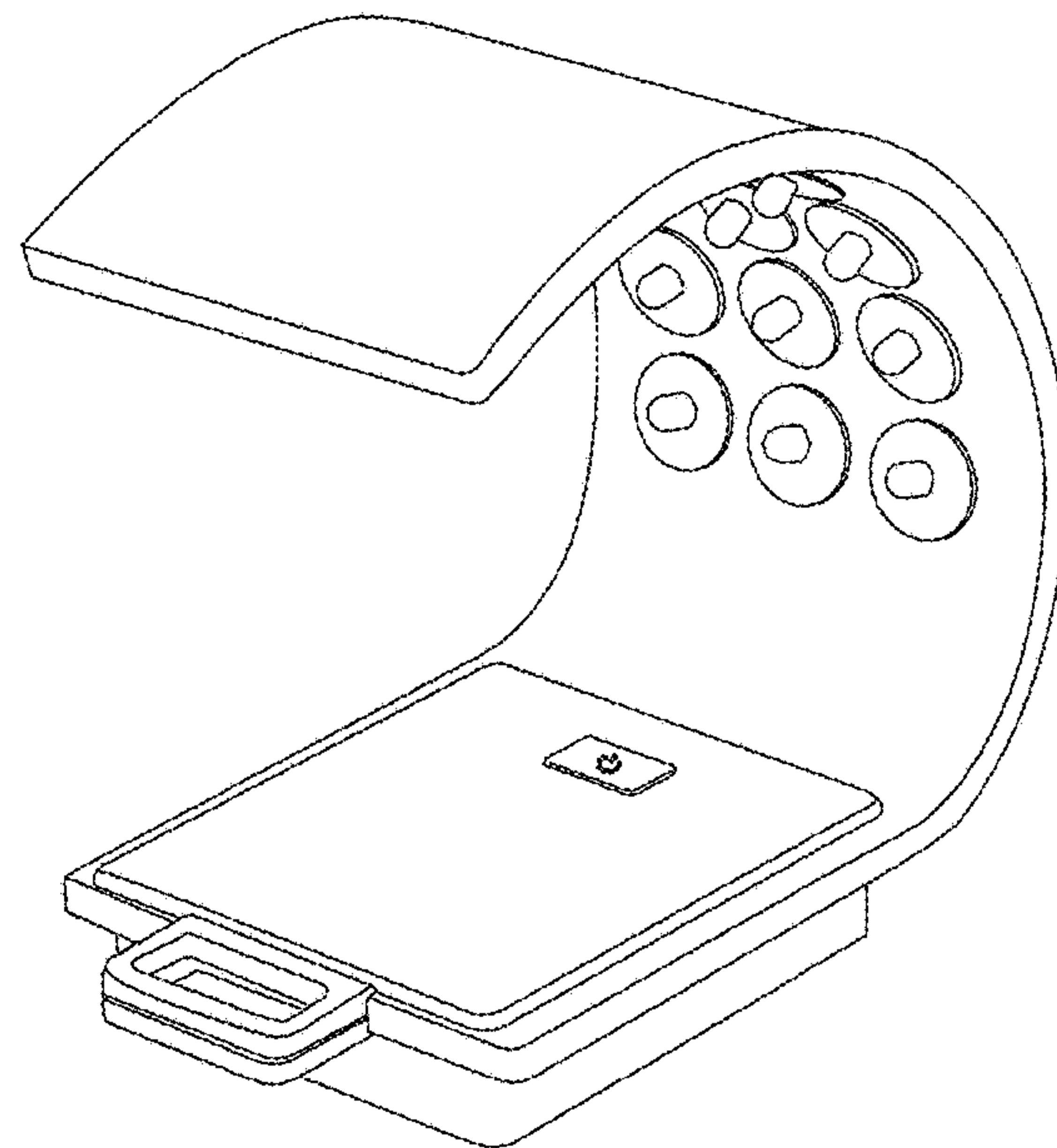
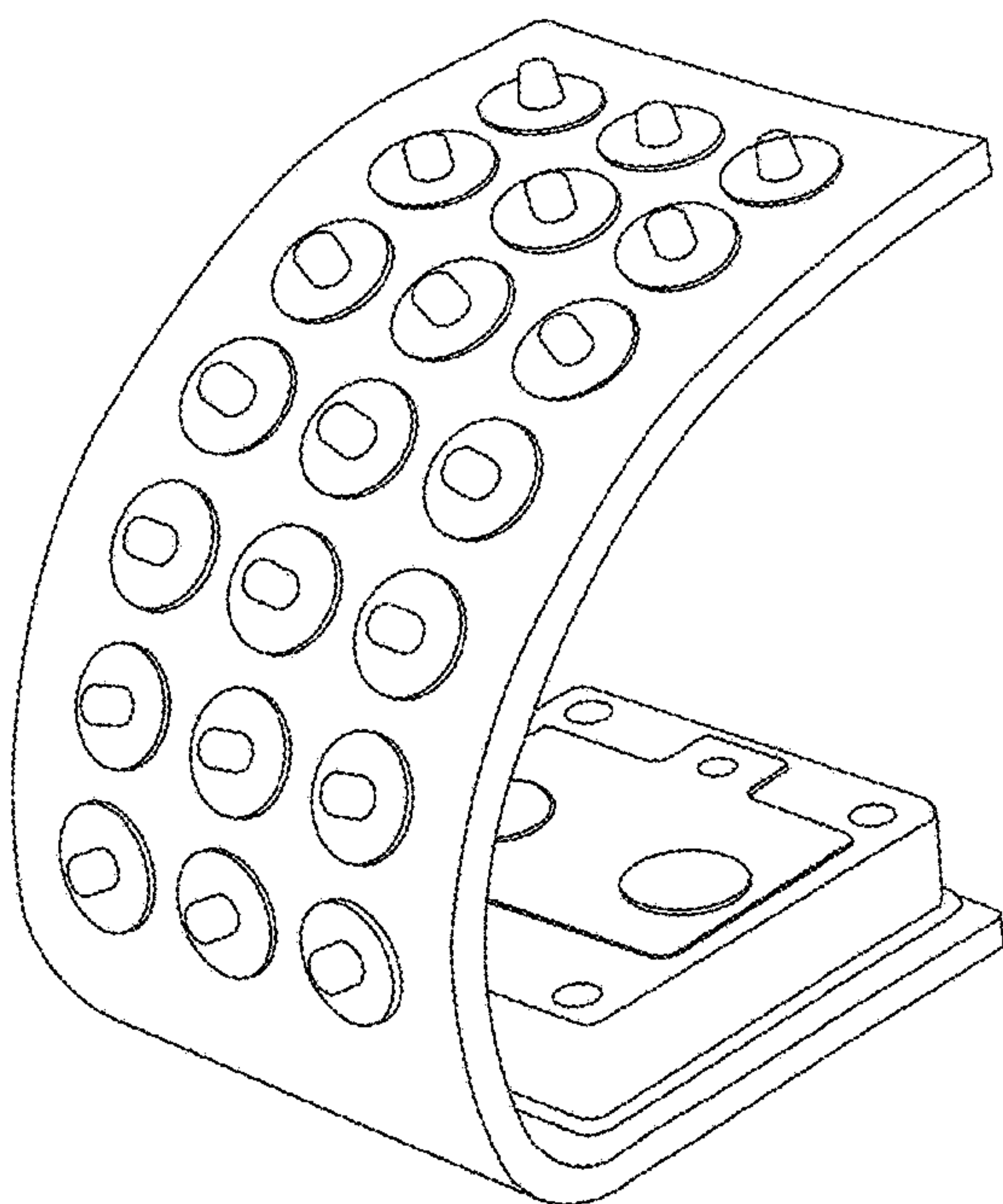
FIG. 5 is a top view thereof;

FIG. 6 is a bottom view thereof;

FIG. 7 is a right side view thereof; and,

FIG. 8 is a left side view thereof.

1 Claim, 6 Drawing Sheets



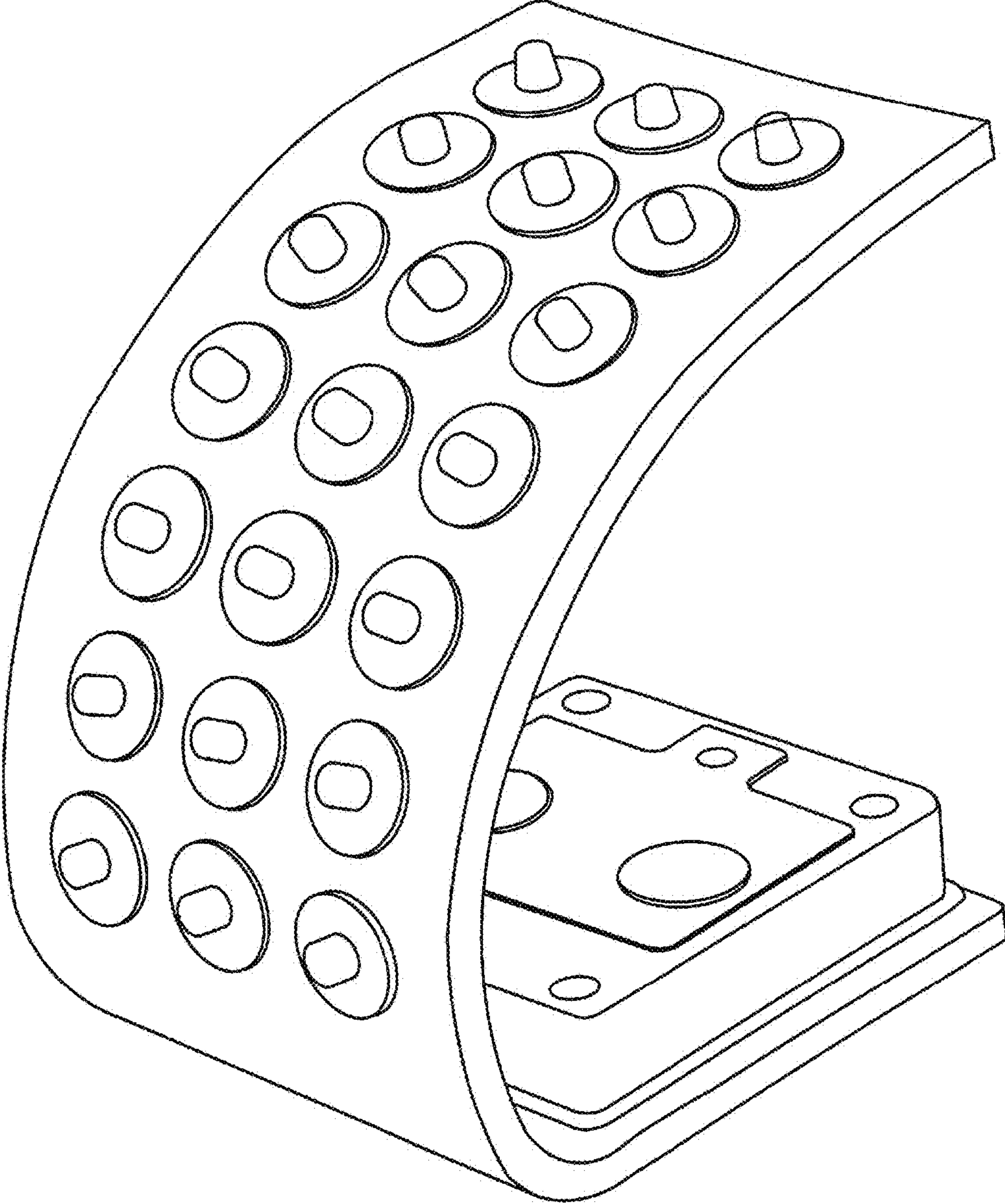


FIG. 1

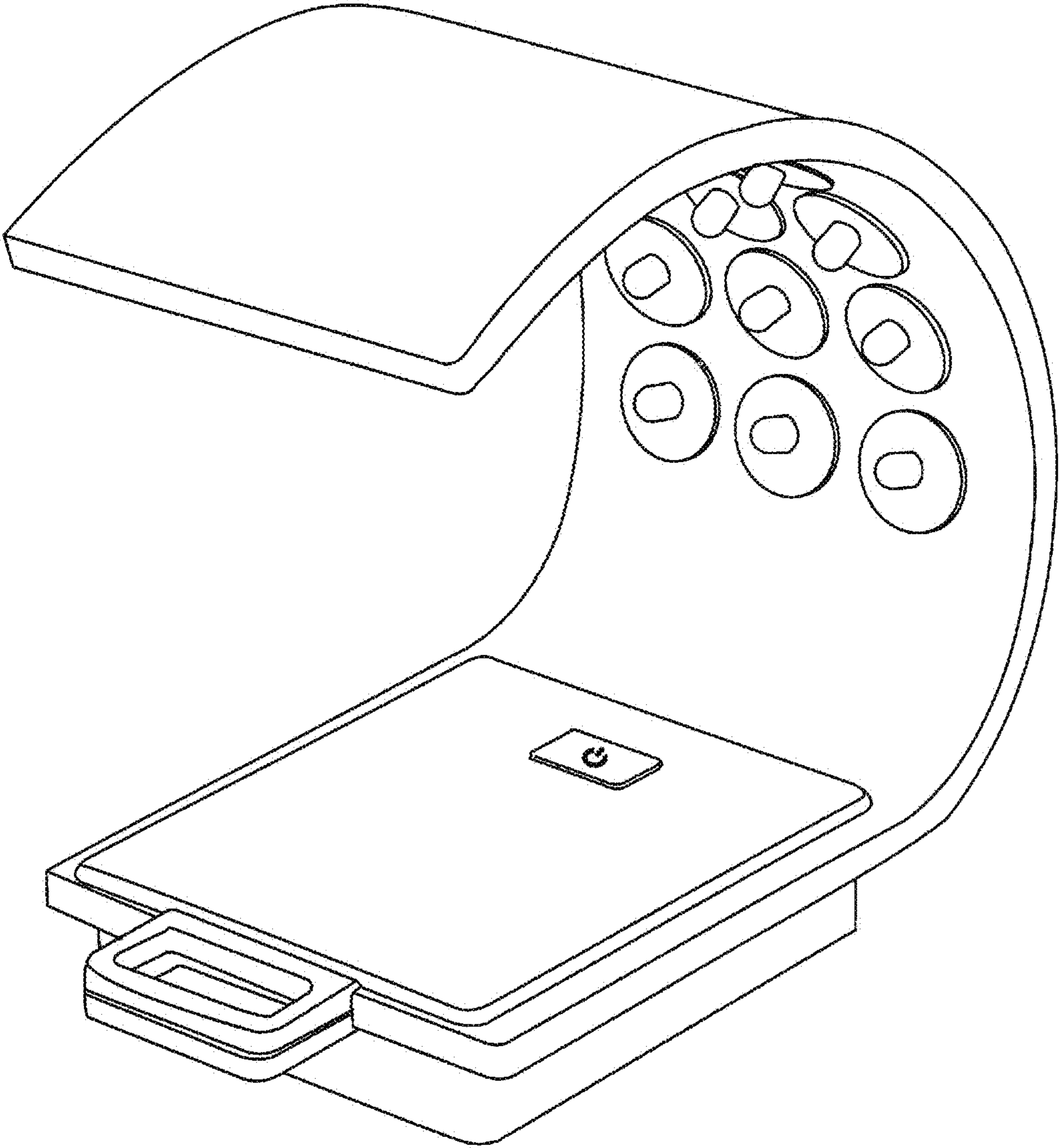


FIG.2

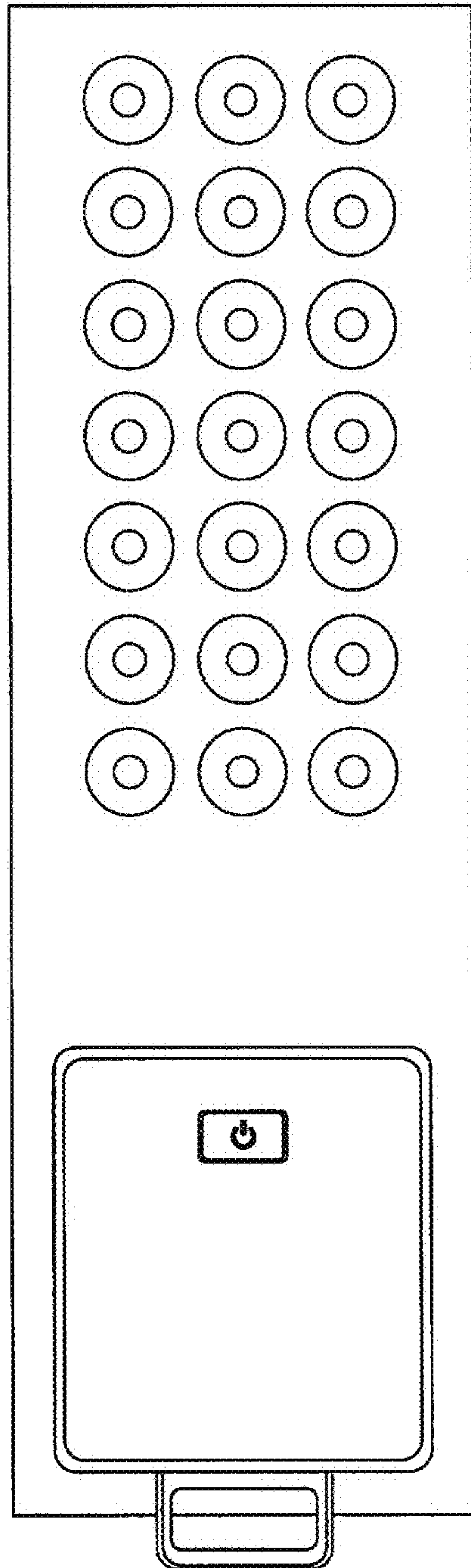


FIG. 3

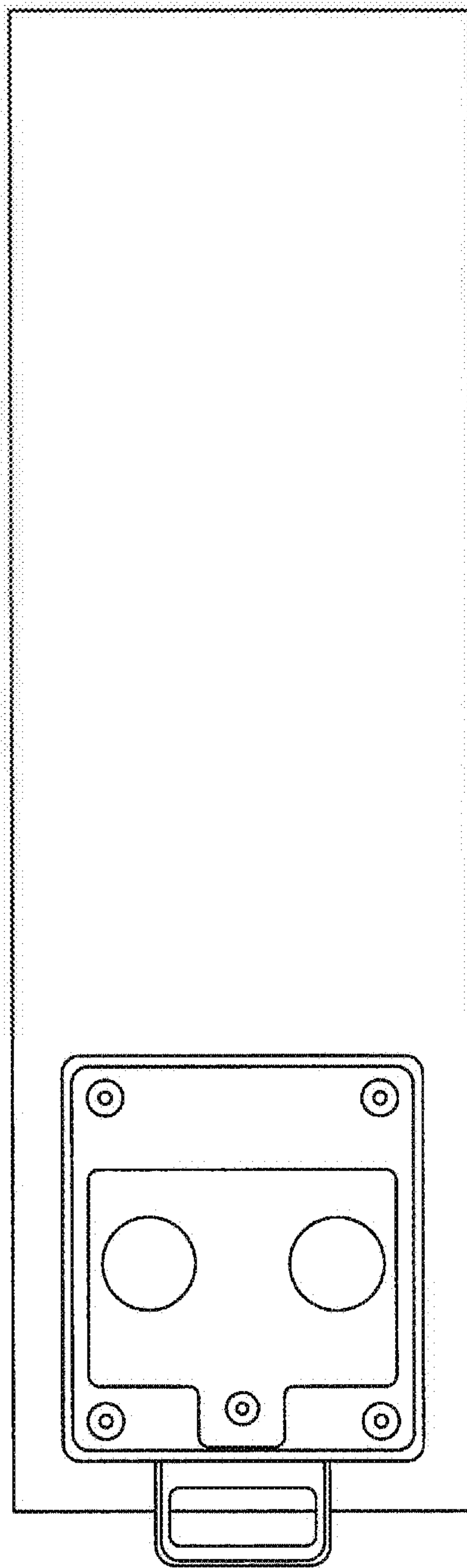


FIG.4

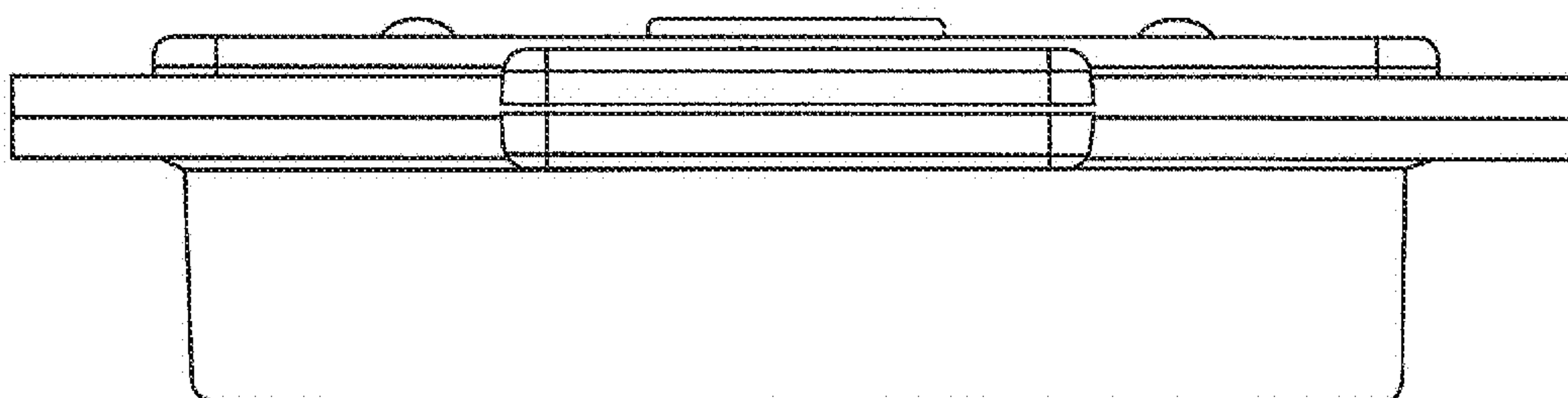


FIG. 5

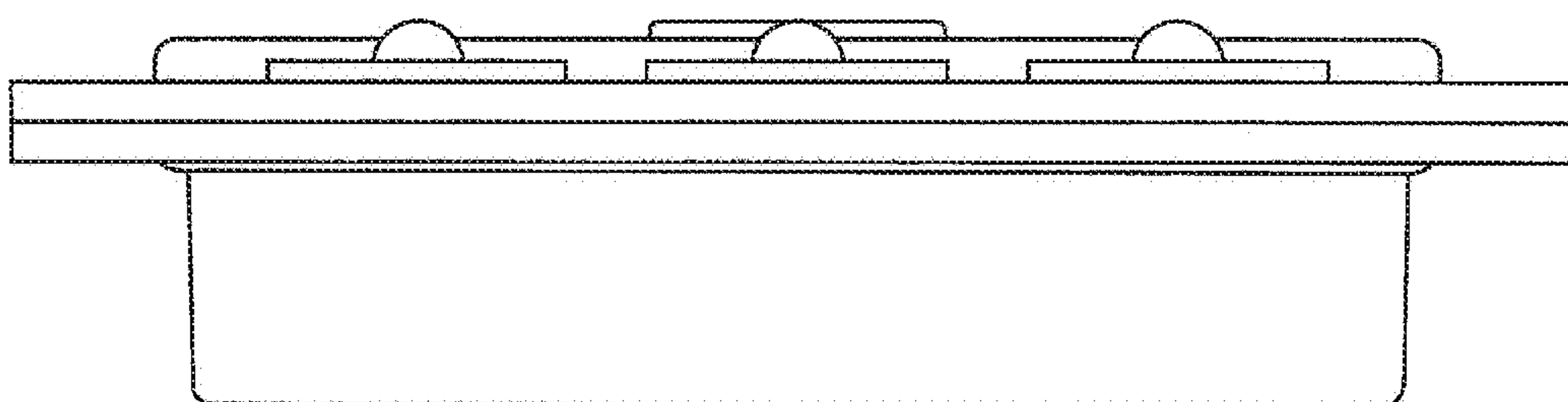


FIG. 6

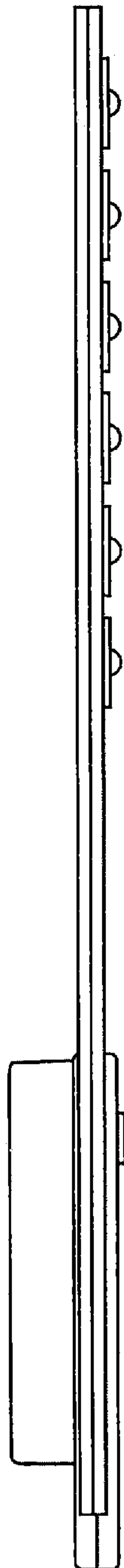


FIG. 7

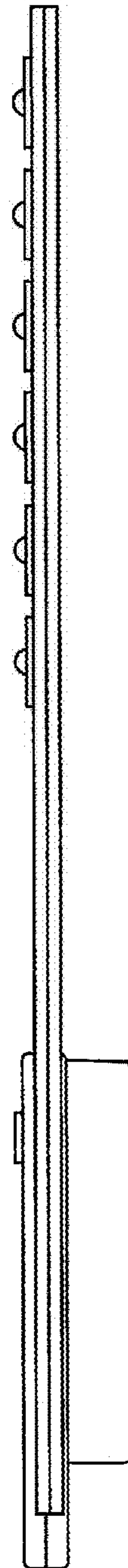


FIG. 8