



US00D780964S

(12) **United States Design Patent**  
**Roach**

(10) **Patent No.:** **US D780,964 S**  
(45) **Date of Patent:** **\*\* Mar. 7, 2017**

(54) **LIGHT HOUSING**

(71) Applicant: **BAJA DESIGNS, INC.**, San Marcos,  
CA (US)

(72) Inventor: **Alan Roach**, Escondido, CA (US)

(73) Assignee: **BAJA DESIGNS, INC.**, San Marcos,  
CA (US)

(\*\*) Term: **15 Years**

(21) Appl. No.: **29/548,500**

(22) Filed: **Dec. 14, 2015**

(51) **LOC (10) Cl.** ..... **26-07**

(52) **U.S. Cl.**  
USPC ..... **D26/28**

(58) **Field of Classification Search**  
USPC ..... D26/28-36; 362/459-468, 475-478,  
362/485-487  
CPC ..... F21S 48/00; F21S 48/10; F21S 48/115;  
F21S 48/225; F21S 48/1233; F21S  
48/1266; F21S 48/1388; F21S 48/2268;  
F21V 21/04  
See application file for complete search history.

(56) **References Cited**

**U.S. PATENT DOCUMENTS**

D385,982 S	*	11/1997	Moore	.....	D26/28
D530,029 S	*	10/2006	Neufeglise	.....	D26/28
D578,681 S	*	10/2008	Huang	.....	D26/28
D653,783 S	*	2/2012	Biro	.....	D26/31
D676,990 S	*	2/2013	Adams	.....	D26/31
D729,677 S	*	5/2015	Aho	.....	D10/114.4
D740,473 S	*	10/2015	Chen	.....	D26/35
D749,253 S	*	2/2016	Marroquin	.....	D26/31
D762,315 S	*	7/2016	Lin	.....	D26/31
D766,499 S	*	9/2016	Packard	.....	D26/139

D768,896 S	*	10/2016	Smith	.....	D26/31
2013/0278139	A1*	10/2013	Sievers	.....	H05B 33/0821 315/77
2013/0329413	A1*	12/2013	Cotta, Sr.	.....	B60Q 1/0483 362/220

\* cited by examiner

*Primary Examiner* — Angela J Lee

(74) *Attorney, Agent, or Firm* — Stetina Brunda Garred &  
Brucker

(57) **CLAIM**

I claim the ornamental design for a light housing, as shown  
and described.

**DESCRIPTION**

FIG. 1 is a front perspective view of a light housing showing  
my new design; with the phantom lines depicting an elec-  
trical cord input and forming no part of the claimed design  
FIG. 2 is a top view thereof, with the phantom lines  
depicting an electrical cord input and forming no part of the  
claimed design;

FIG. 3 is a front view thereof, with the phantom lines  
depicting an electrical cord input and forming no part of the  
claimed design;

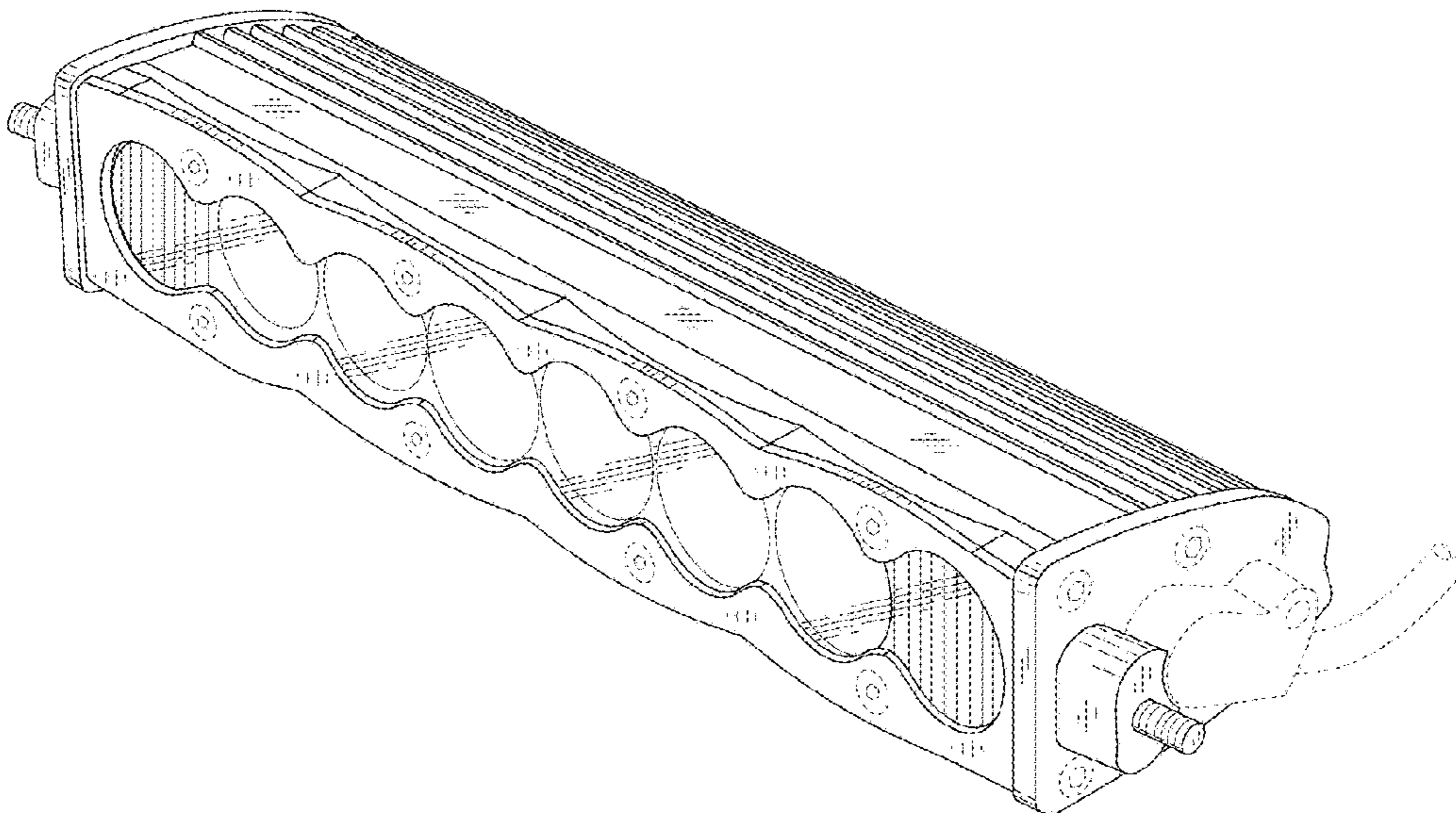
FIG. 4 is a left side view thereof, with the phantom lines  
depicting an electrical cord input and forming no part of the  
claimed design;

FIG. 5 is a right side view thereof, with the phantom lines  
depicting an electrical cord input and forming no part of the  
claimed design;

FIG. 6 is bottom view thereof, with the phantom lines  
depicting an electrical cord input and forming no part of the  
claimed design; and,

FIG. 7 is a back view thereof, with the phantom lines  
depicting an electrical cord input and forming no part of the  
claimed design.

**1 Claim, 3 Drawing Sheets**



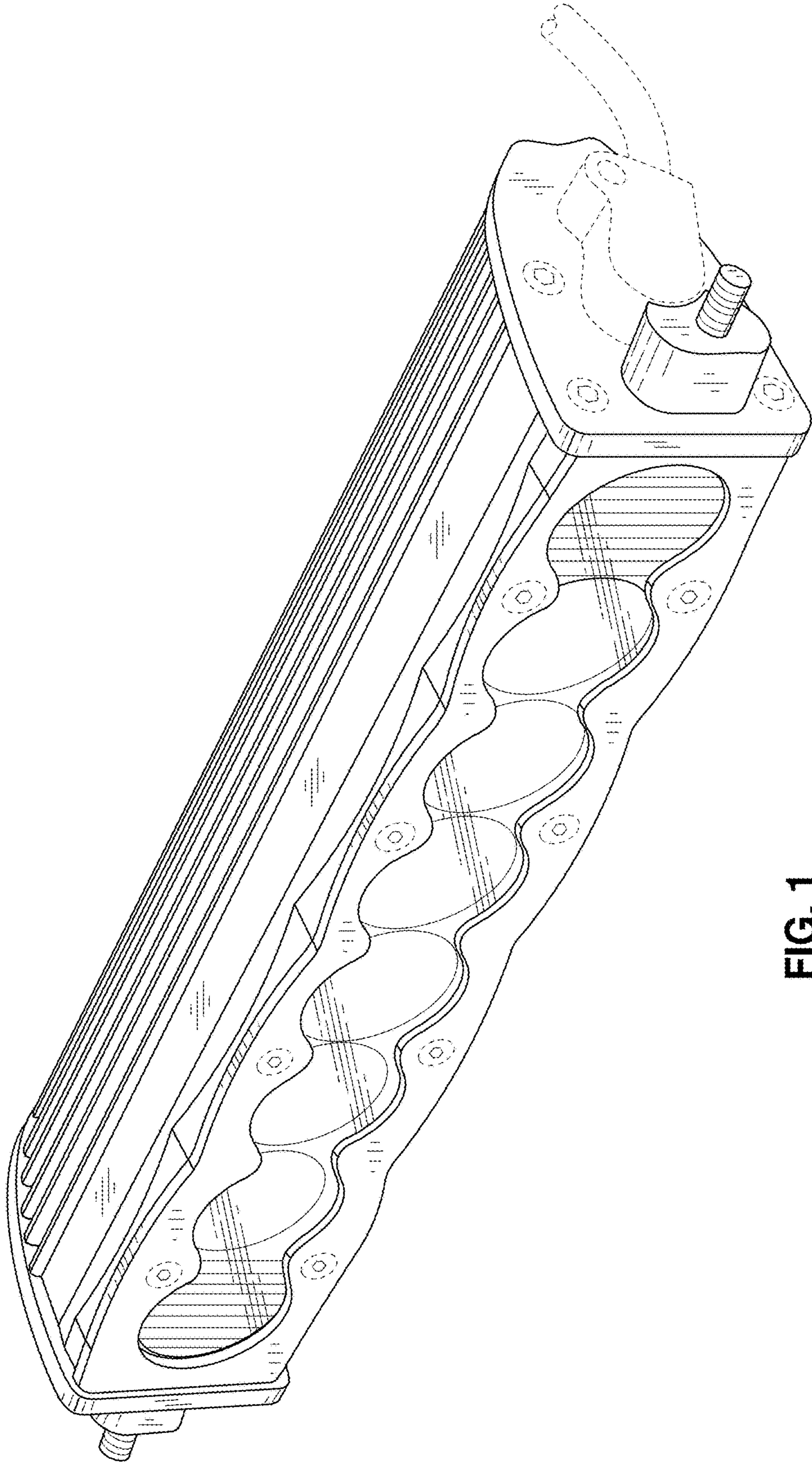


FIG. 1

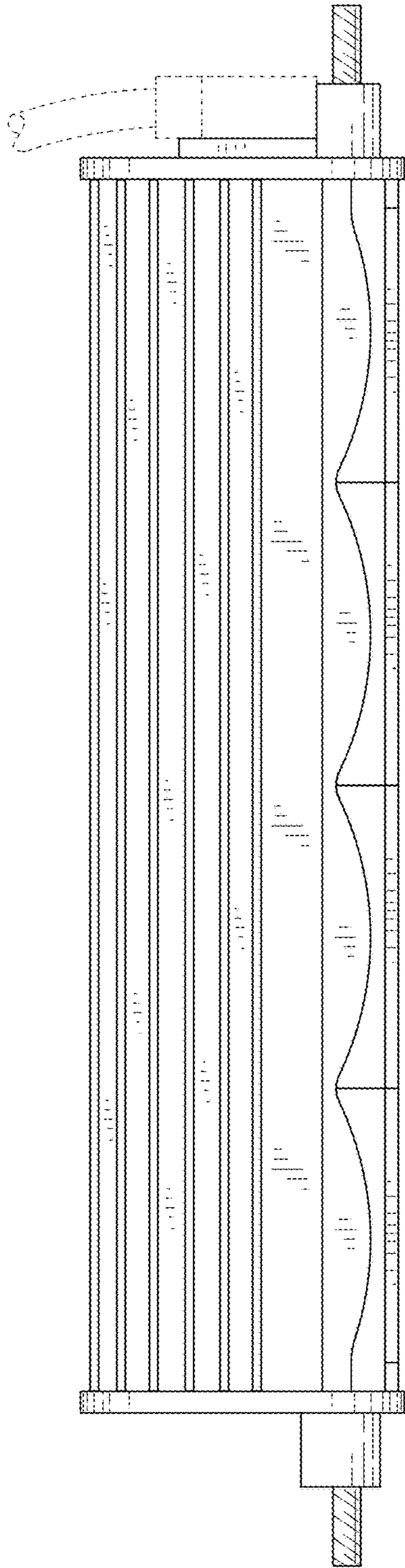


FIG. 2

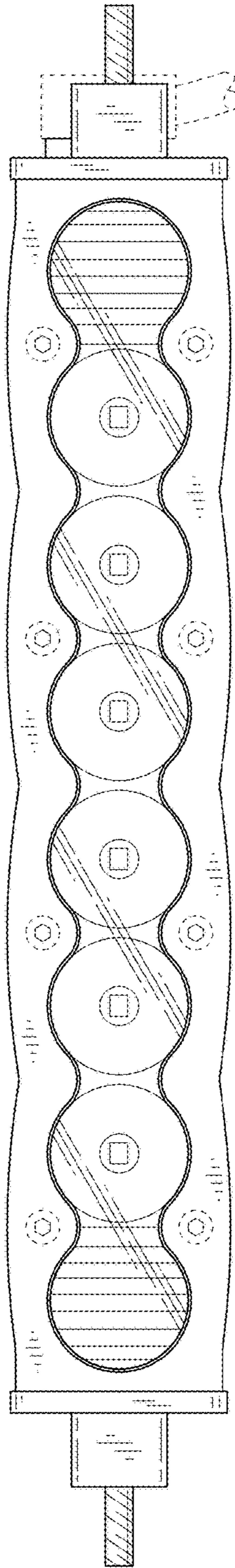


FIG. 3

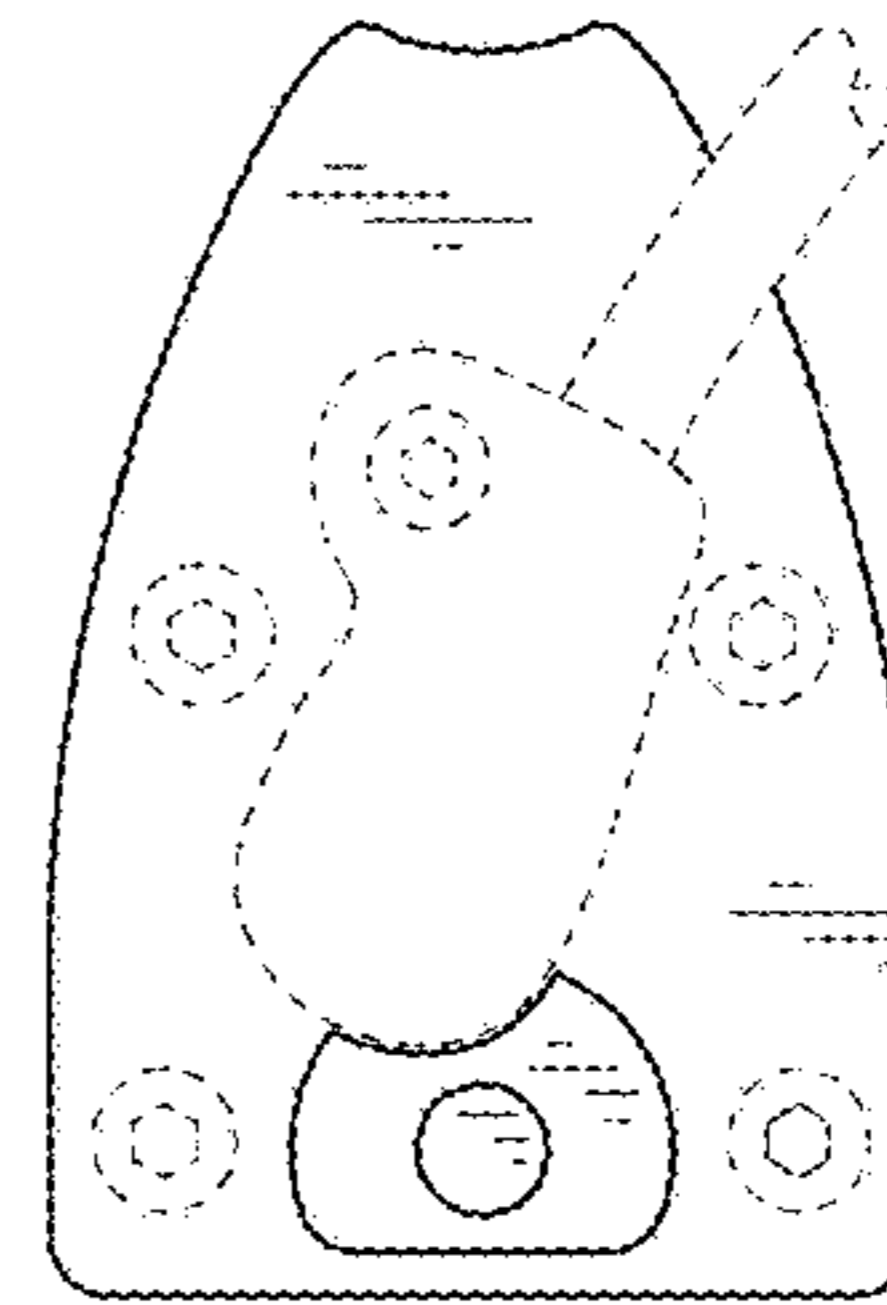


FIG. 4

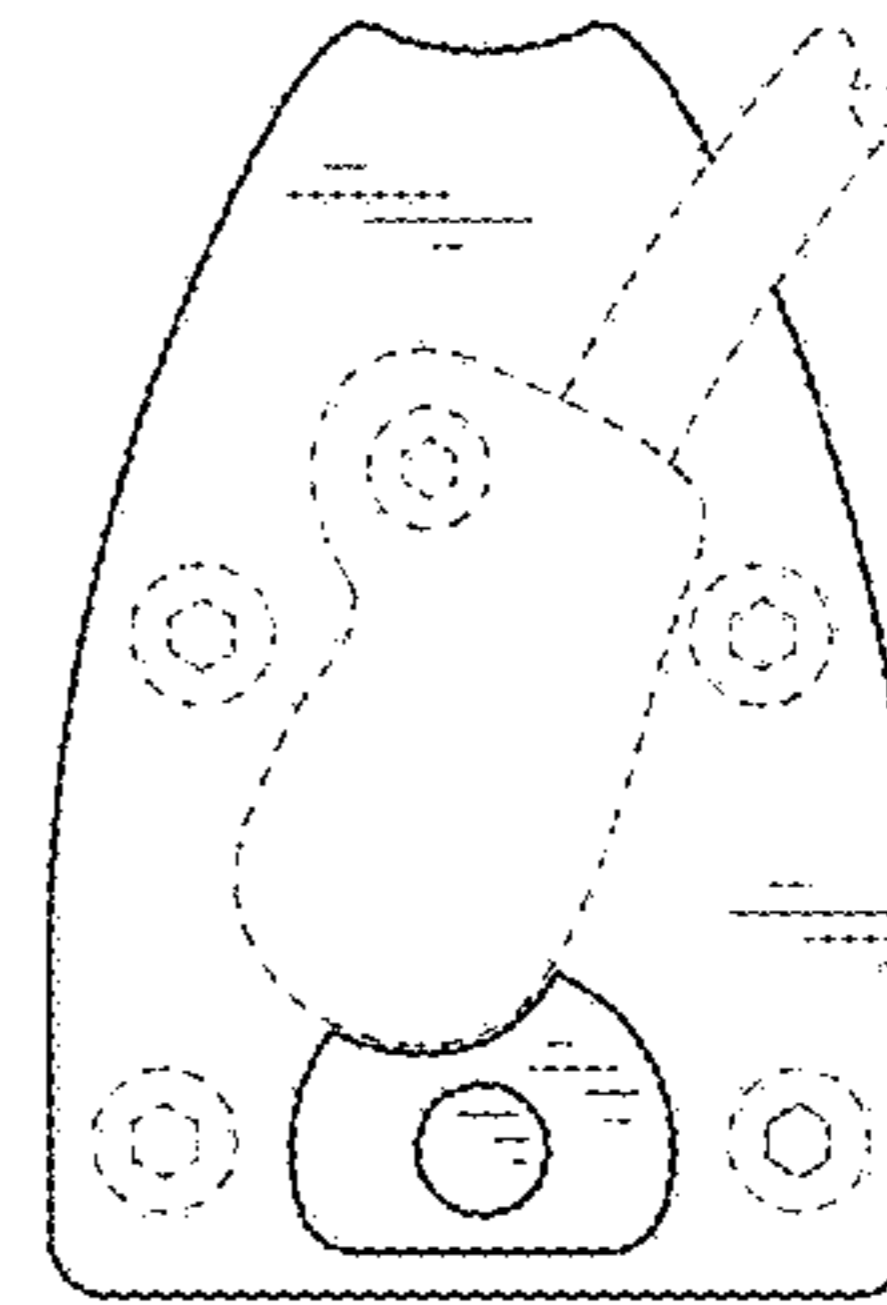


FIG. 5

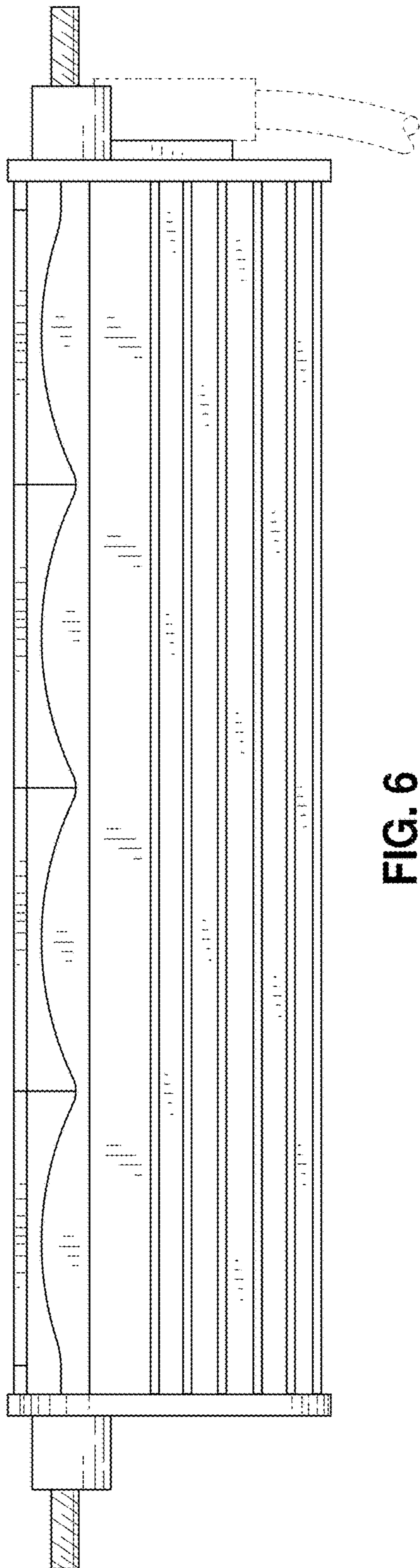


FIG. 6

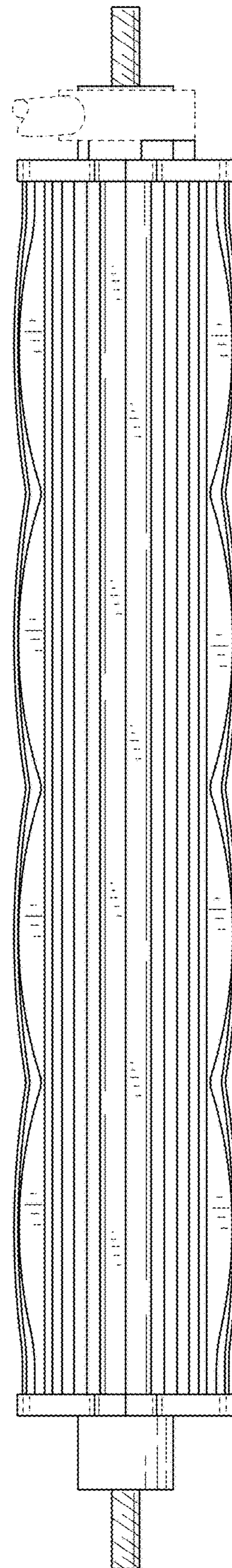


FIG. 7