



US00D780961S

(12) **United States Design Patent**  
**Curic et al.**

(10) **Patent No.:** **US D780,961 S**

(45) **Date of Patent:** **\*\* Mar. 7, 2017**

(54) **VEHICLE TAIL LAMP**

(71) Applicant: **Ford Global Technologies, LLC**,  
Dearborn, MI (US)

(72) Inventors: **Kemal Curic**, West Bloomfield, MI  
(US); **Shawn Wehrly**, Northville, MI  
(US)

(73) Assignee: **Ford Global Technologies, LLC**,  
Dearborn, MI (US)

(\*\*) Term: **15 Years**

(21) Appl. No.: **29/505,616**

(22) Filed: **Dec. 23, 2015**

(51) **LOC (10) Cl.** ..... **26-07**

(52) **U.S. Cl.**  
USPC ..... **D26/28**

(58) **Field of Classification Search**  
USPC ..... D26/28-36; 362/459-468, 475-478,  
362/485-487  
CPC ..... F21S 48/00; F21S 48/10; F21S 48/115;  
F21S 48/225; F21S 48/1233; F21S  
48/1266; F21S 48/1388; F21S 48/2268;  
F21V 21/04  
See application file for complete search history.

(56) **References Cited**

**U.S. PATENT DOCUMENTS**

D535,042 S \* 1/2007 Nakayama ..... D26/28  
D637,746 S \* 5/2011 Kong ..... D26/28

D652,553 S \* 1/2012 Vardis ..... D26/28  
D684,711 S \* 6/2013 Chen ..... D26/28  
D708,369 S \* 7/2014 Song ..... D26/28  
D711,025 S \* 8/2014 Gueler ..... D26/28  
D743,588 S \* 11/2015 Wolff ..... D26/28  
D747,016 S \* 1/2016 George ..... D26/28  
D751,233 S \* 3/2016 Wolff ..... D26/28  
D751,738 S \* 3/2016 Rekow ..... D26/28  
D765,891 S \* 9/2016 Varga ..... D26/28

\* cited by examiner

*Primary Examiner* — Angela J Lee

(74) *Attorney, Agent, or Firm* — Damian Porcari

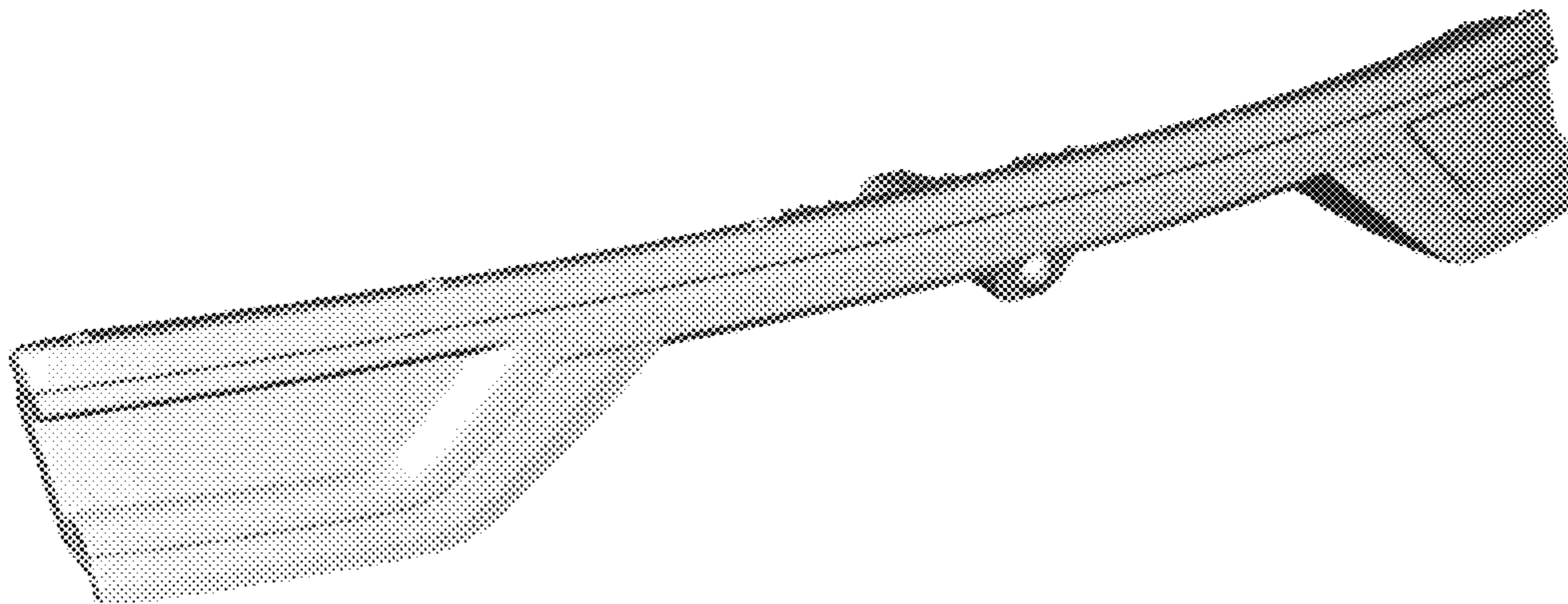
(57) **CLAIM**

The ornamental design for a vehicle tail lamp, as shown and described.

**DESCRIPTION**

FIG. 1 is a top front perspective view of the first embodiment of a vehicle tail lamp, showing our new design; FIG. 2 is a bottom front perspective and left view thereof; FIG. 3 is a top rear perspective view thereof; FIG. 4 is a front elevational view thereof; FIG. 5 is a rear elevational view thereof; FIG. 6 is a left side elevational view thereof; FIG. 7 is a right side elevational view thereof; FIG. 8 is a top plan view thereof; and, FIG. 9 is a bottom plan view thereof. The second embodiment of the vehicle tail lamp is a mirror image of the first embodiment disclosed in FIGS. 1 through 9 and is not shown.

**1 Claim, 9 Drawing Sheets**



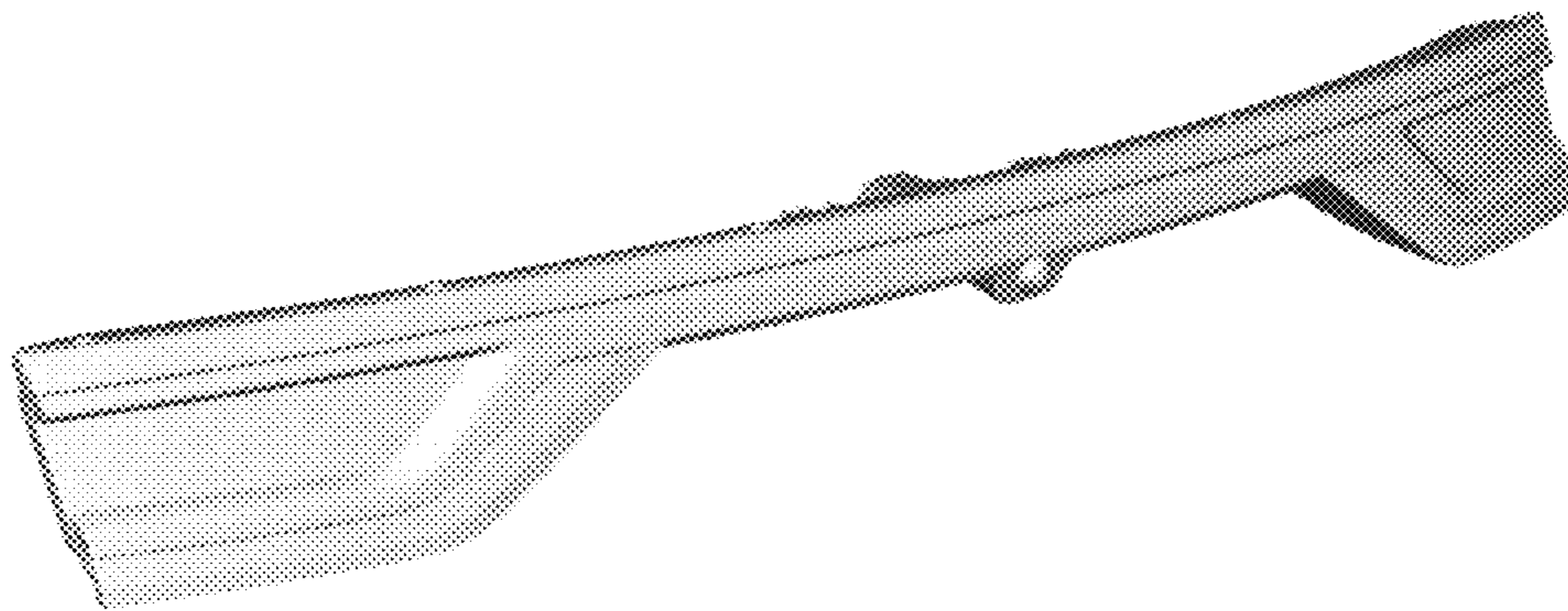


Figure 1

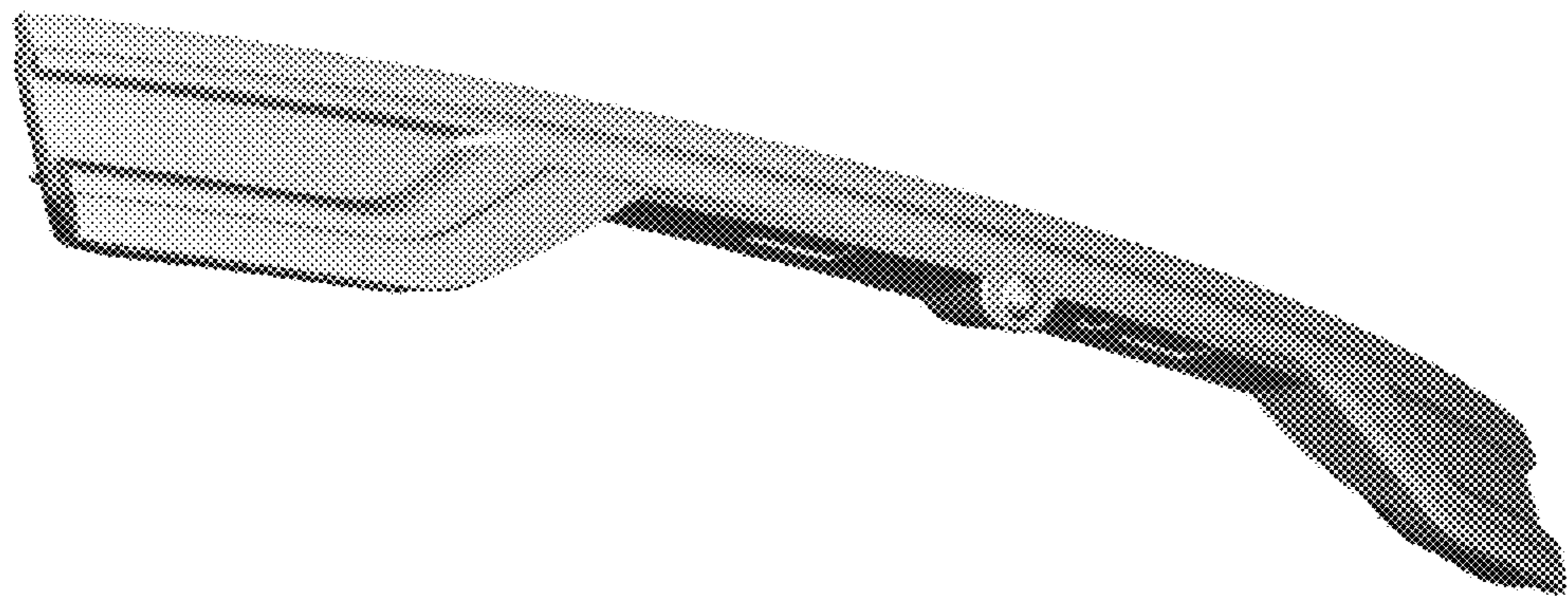


Figure 2

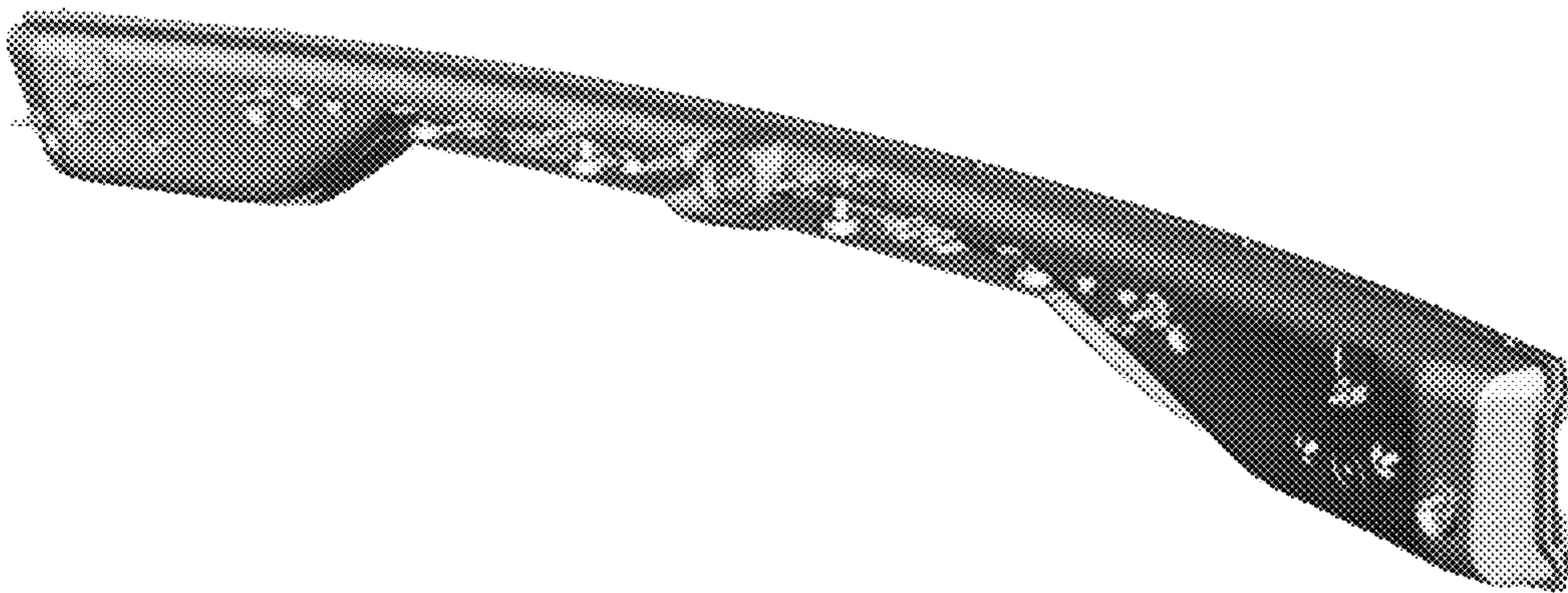


Figure 3



Figure 4



Figure 5

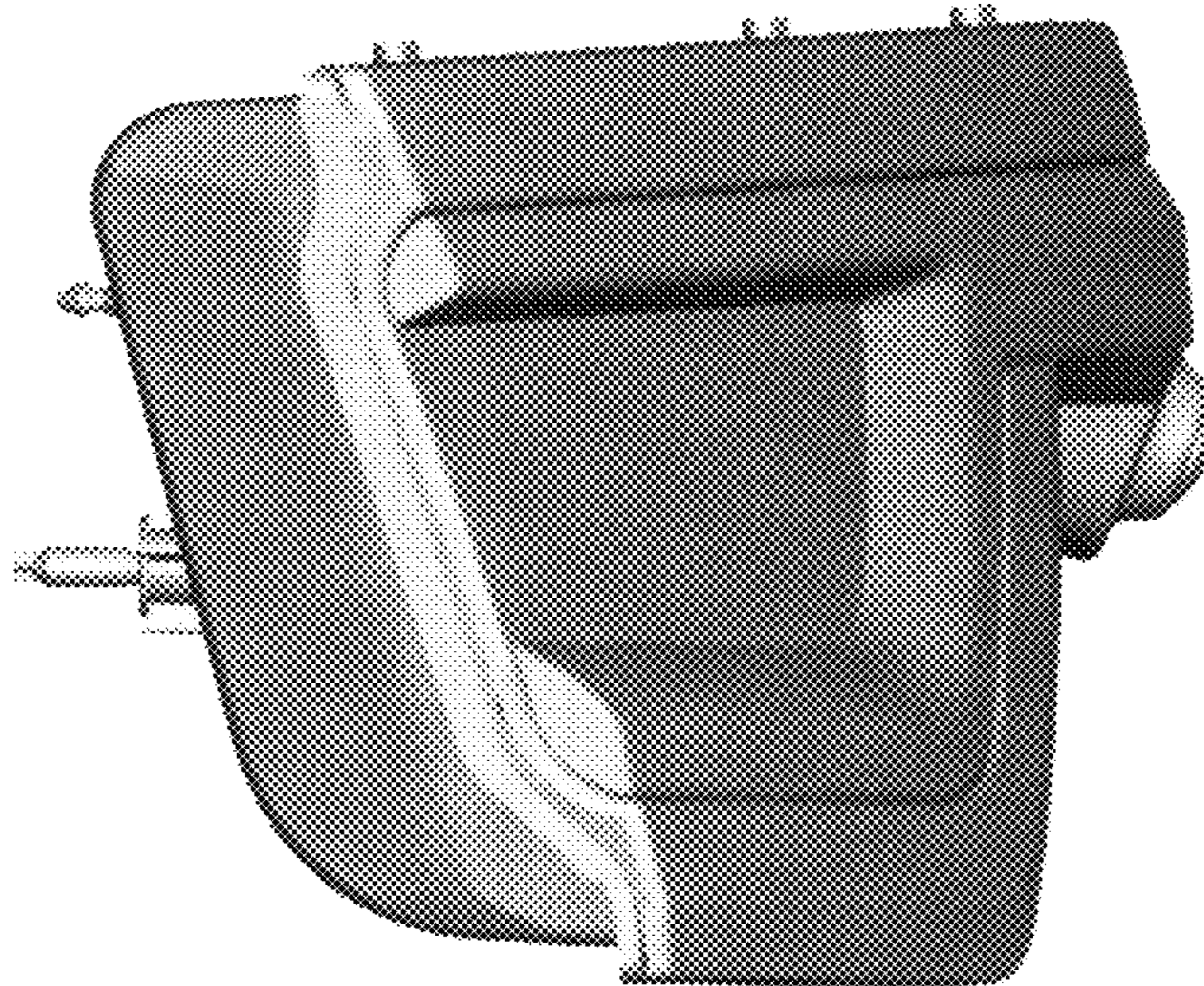


Figure 6

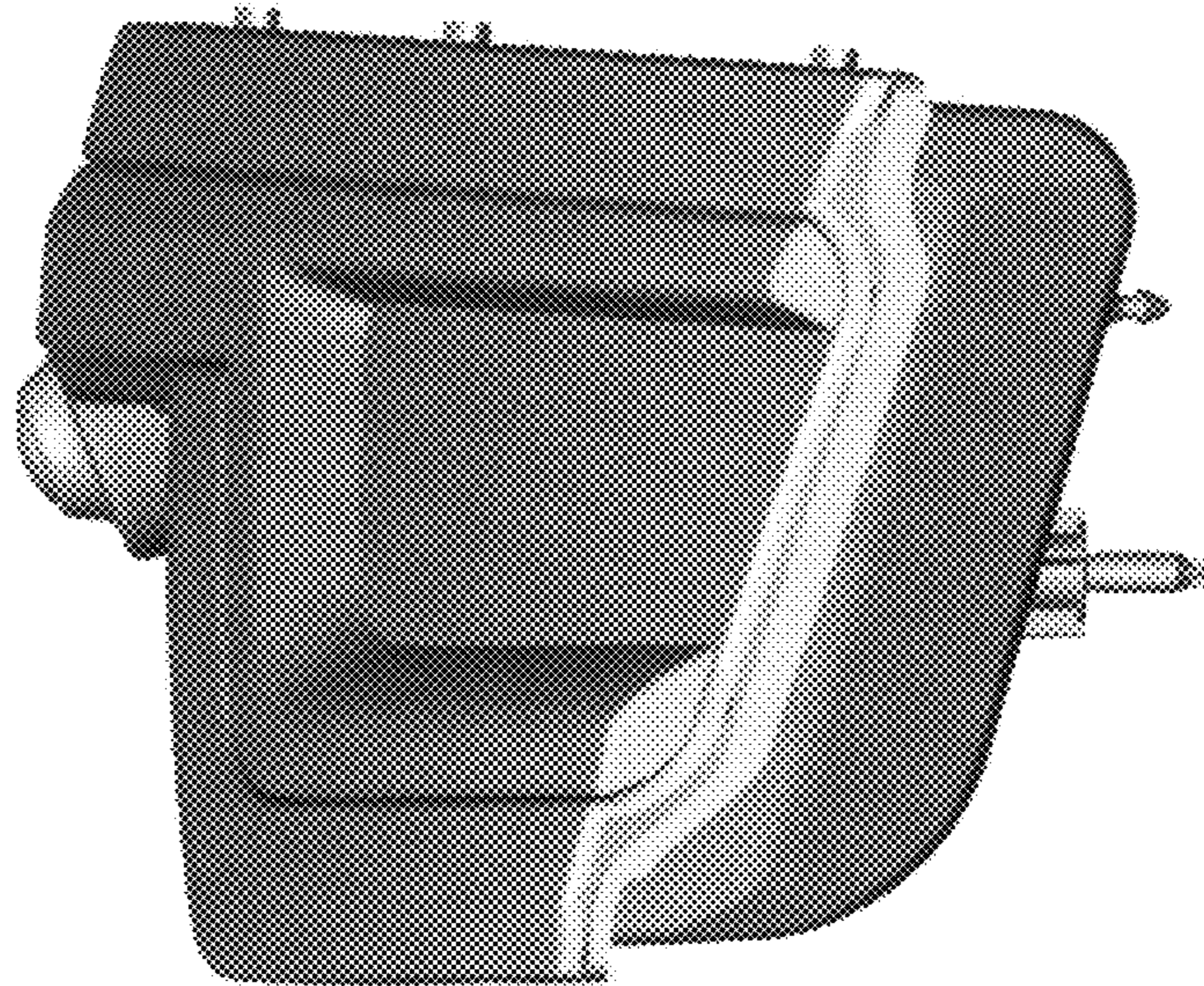


Figure 7





Figure 8

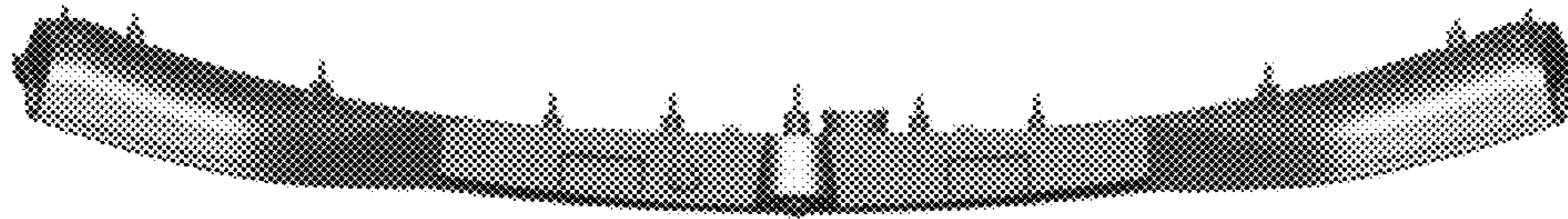


Figure 9