



US00D780960S

(12) **United States Design Patent** (10) **Patent No.:** **US D780,960 S**
Curic et al. (45) **Date of Patent:** **** Mar. 7, 2017**

(54) **VEHICLE FRONT BUMPER COVER LAMP BEZEL**

(71) Applicant: **Ford Global Technologies, LLC**, Dearborn, MI (US)

(72) Inventors: **Kemal Curic**, West Bloomfield, MI (US); **Shawn Wehrly**, Northville, MI (US)

(73) Assignee: **Ford Global Technologies, LLC**, Dearborn, MI (US)

(**) Term: **15 Years**

(21) Appl. No.: **29/505,611**

(22) Filed: **Dec. 23, 2015**

(51) **LOC (10) Cl.** **26-07**

(52) **U.S. Cl.**
USPC **D26/28; D26/139**

(58) **Field of Classification Search**
USPC D26/28-36, 139; 362/459-468, 475-478, 362/485-487
CPC F21S 48/00; F21S 48/10; F21S 48/115; F21S 48/225; F21S 48/1233; F21S 48/1266; F21S 48/1388; F21S 48/2268; F21V 21/04
See application file for complete search history.

(56) **References Cited**

U.S. PATENT DOCUMENTS

D591,876 S * 5/2009 Varga D26/28
D602,618 S * 10/2009 Kruger D26/28

D665,109 S * 8/2012 Platto D26/139
D739,583 S * 9/2015 Forsgren D26/28
D748,303 S * 1/2016 Sato D26/28
D749,762 S * 2/2016 Sa D26/28
D753,324 S * 4/2016 Rupar D26/28
D757,308 S * 5/2016 Rupar D26/28
D757,309 S * 5/2016 Rupar D26/28

* cited by examiner

Primary Examiner — Angela J Lee

(74) *Attorney, Agent, or Firm* — Damian Porcari

(57) **CLAIM**

The ornamental design for a vehicle front bumper cover lamp bezel, as shown and described.

DESCRIPTION

FIG. 1 is a top front perspective view of the first embodiment of a vehicle front bumper cover lamp bezel, showing our new design.
FIG. 2 is a bottom front perspective view thereof;
FIG. 3 is a top rear perspective view thereof;
FIG. 4 is a front elevational view thereof;
FIG. 5 is a rear elevational view thereof;
FIG. 6 is a right side elevational view thereof;
FIG. 7 is a left side elevational view thereof;
FIG. 8 is a top plan view thereof; and,
FIG. 9 is a bottom plan view thereof.
The second embodiment of the vehicle front bumper cover lamp bezel is a mirror image of the first embodiment disclosed in FIGS. 1 through 9 and is not shown.

1 Claim, 9 Drawing Sheets

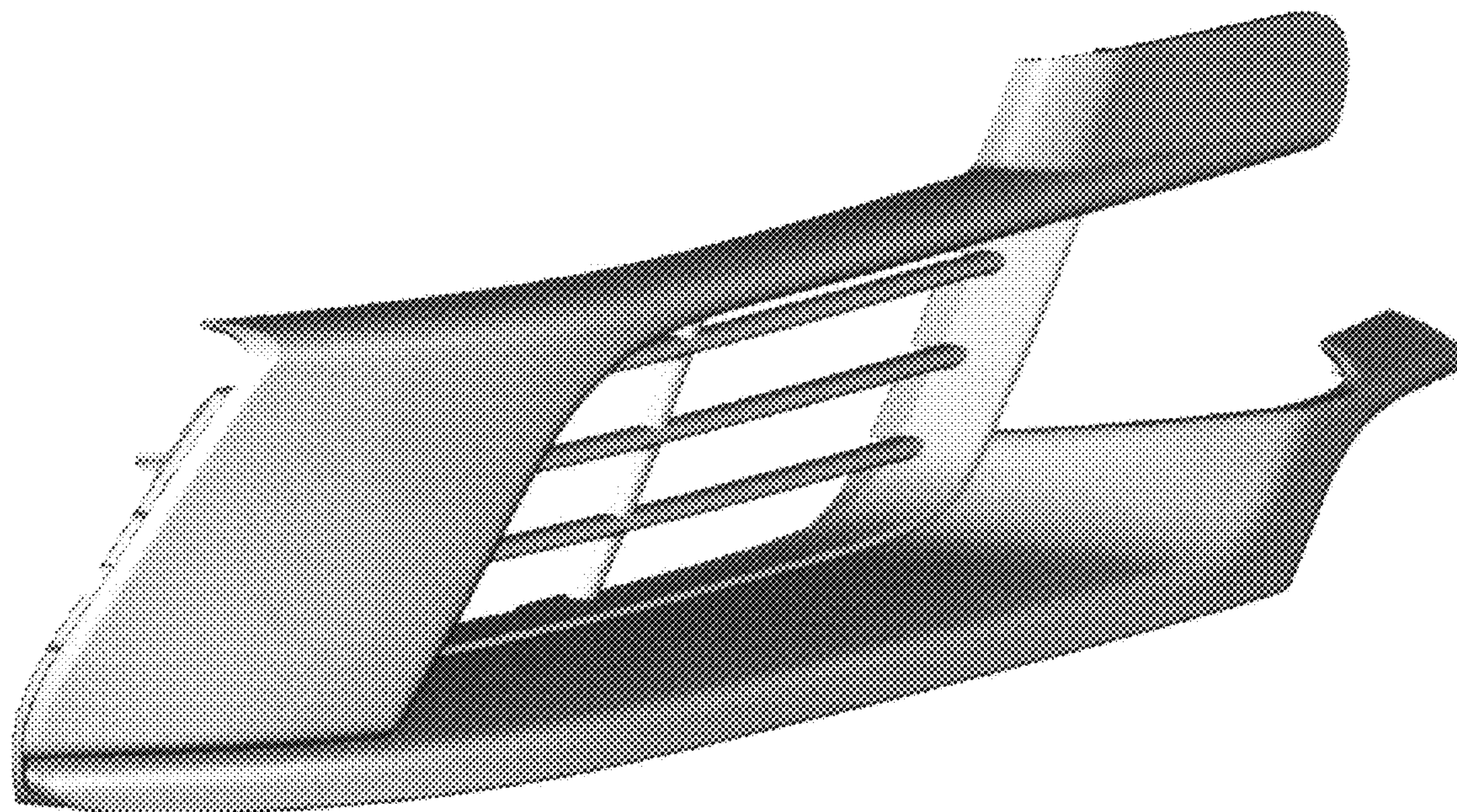


Figure 1

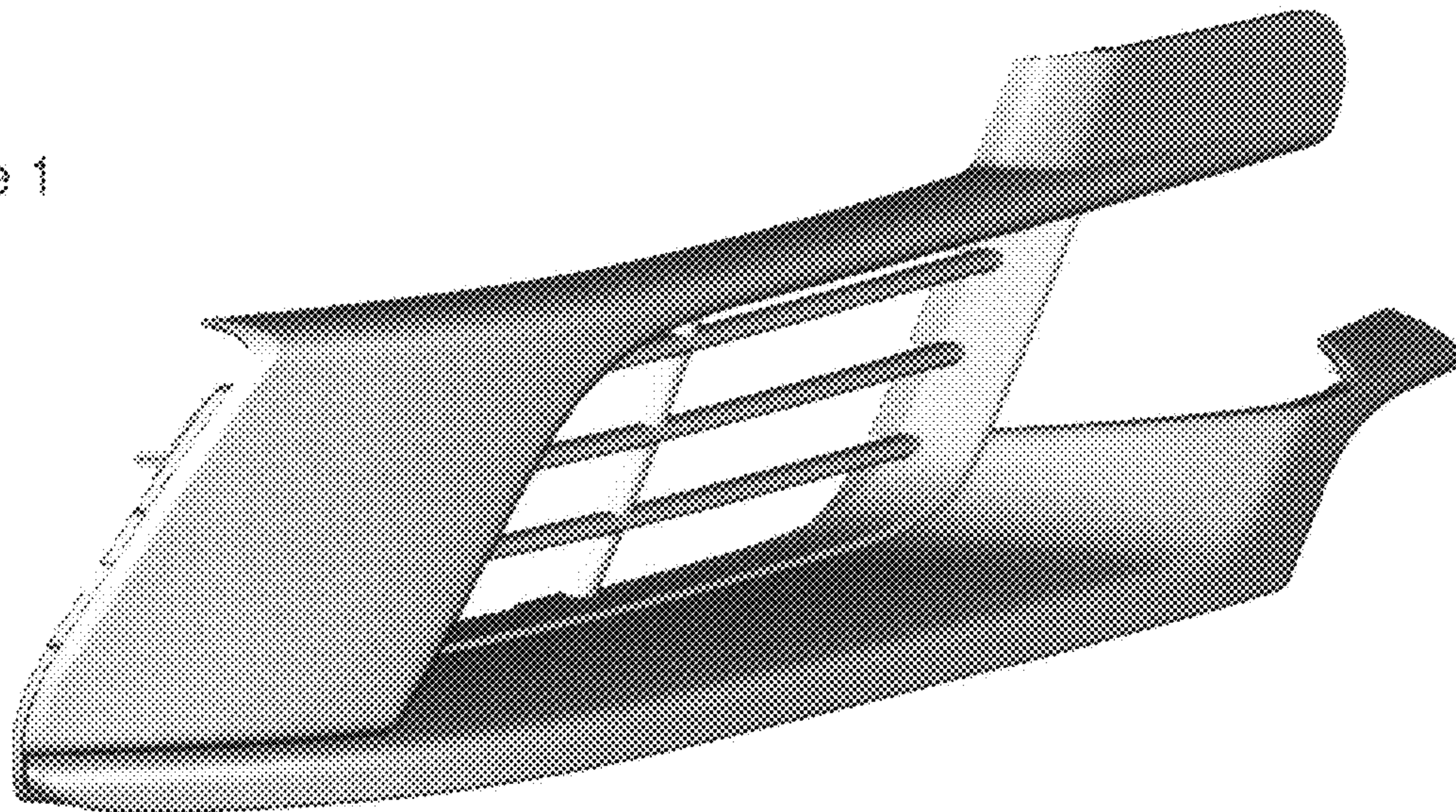
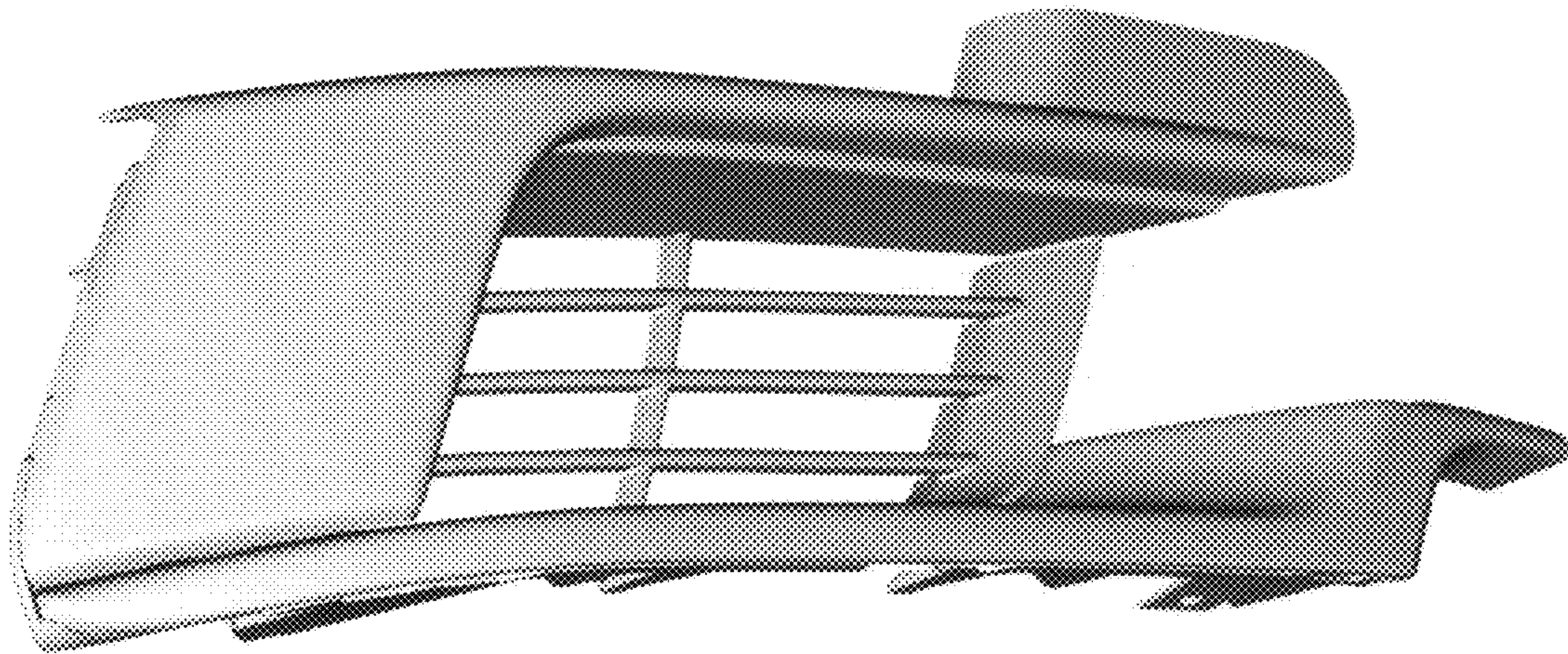


Figure 2



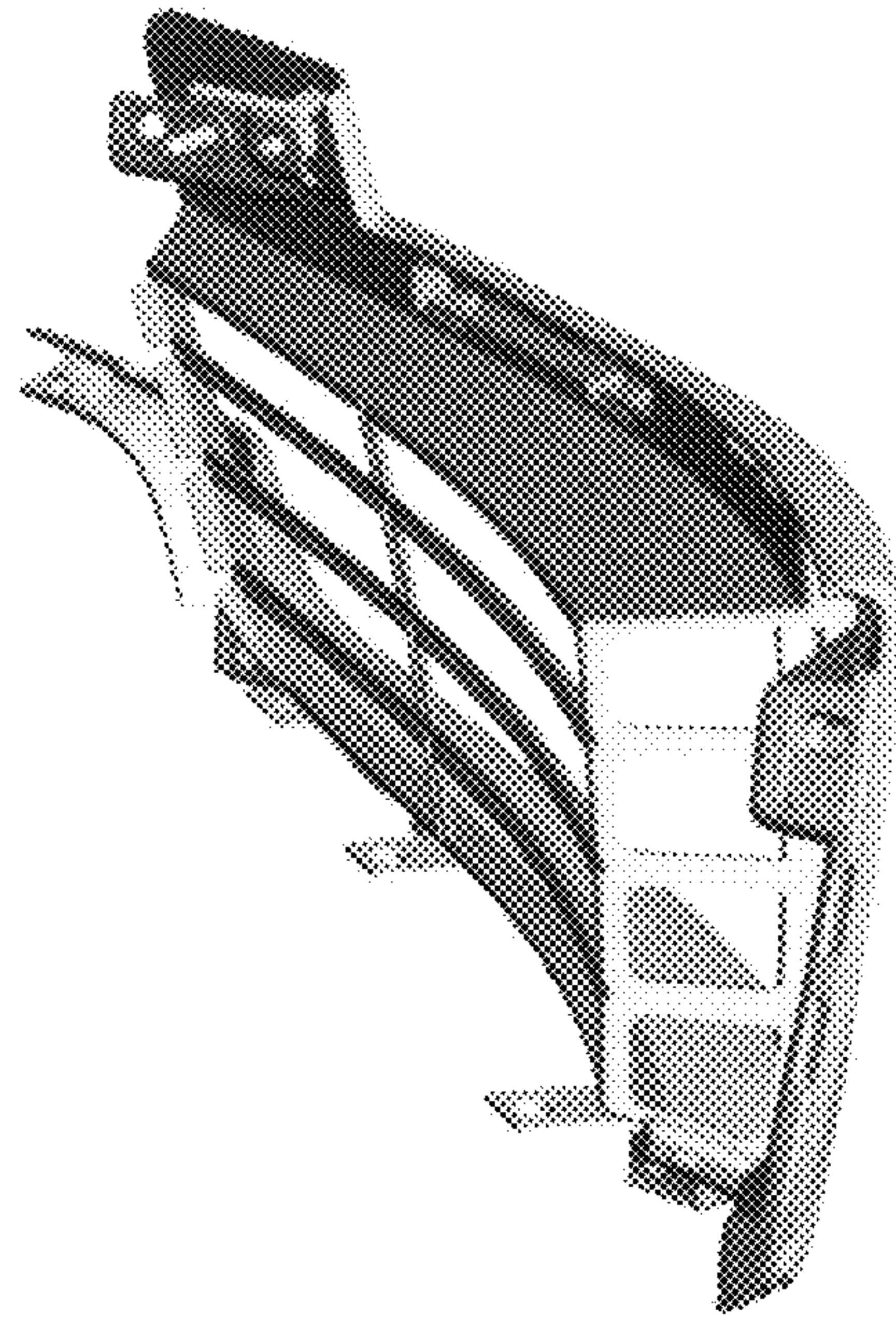


Figure 3

Figure 4

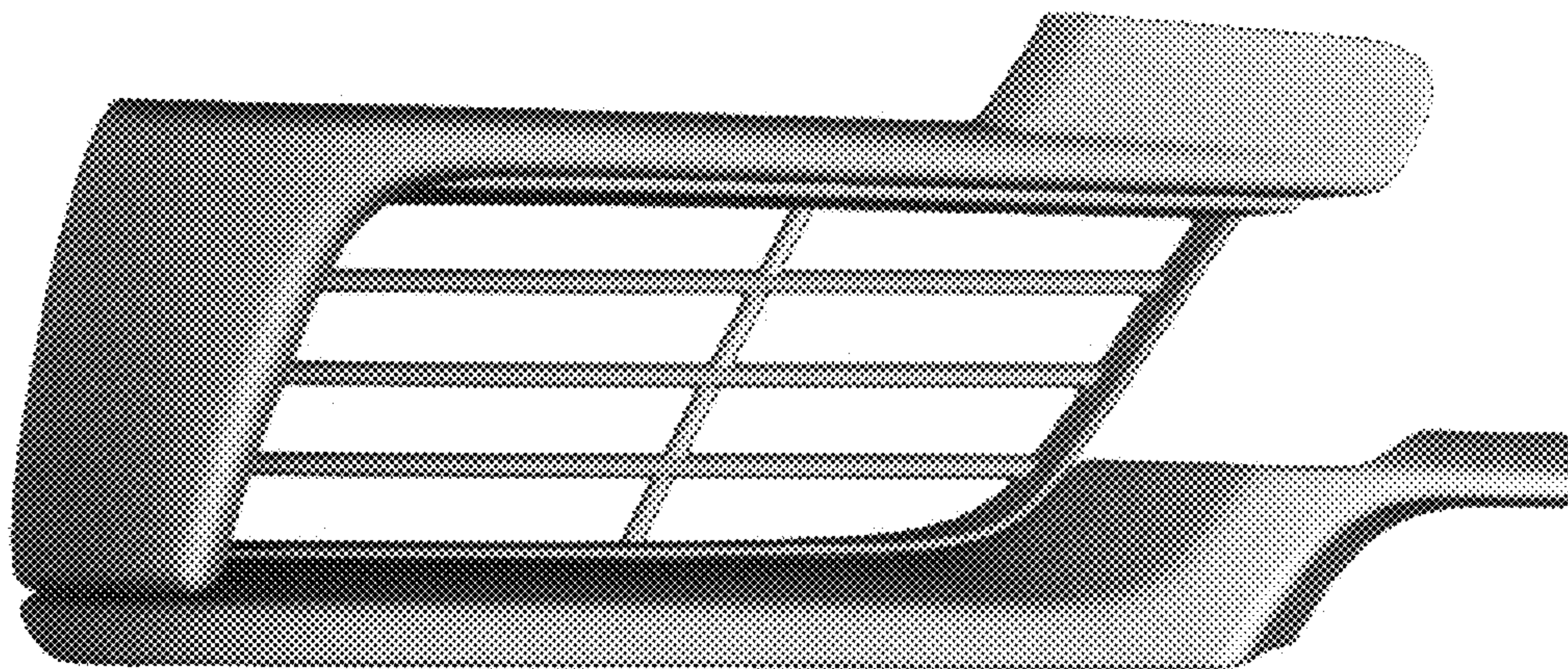
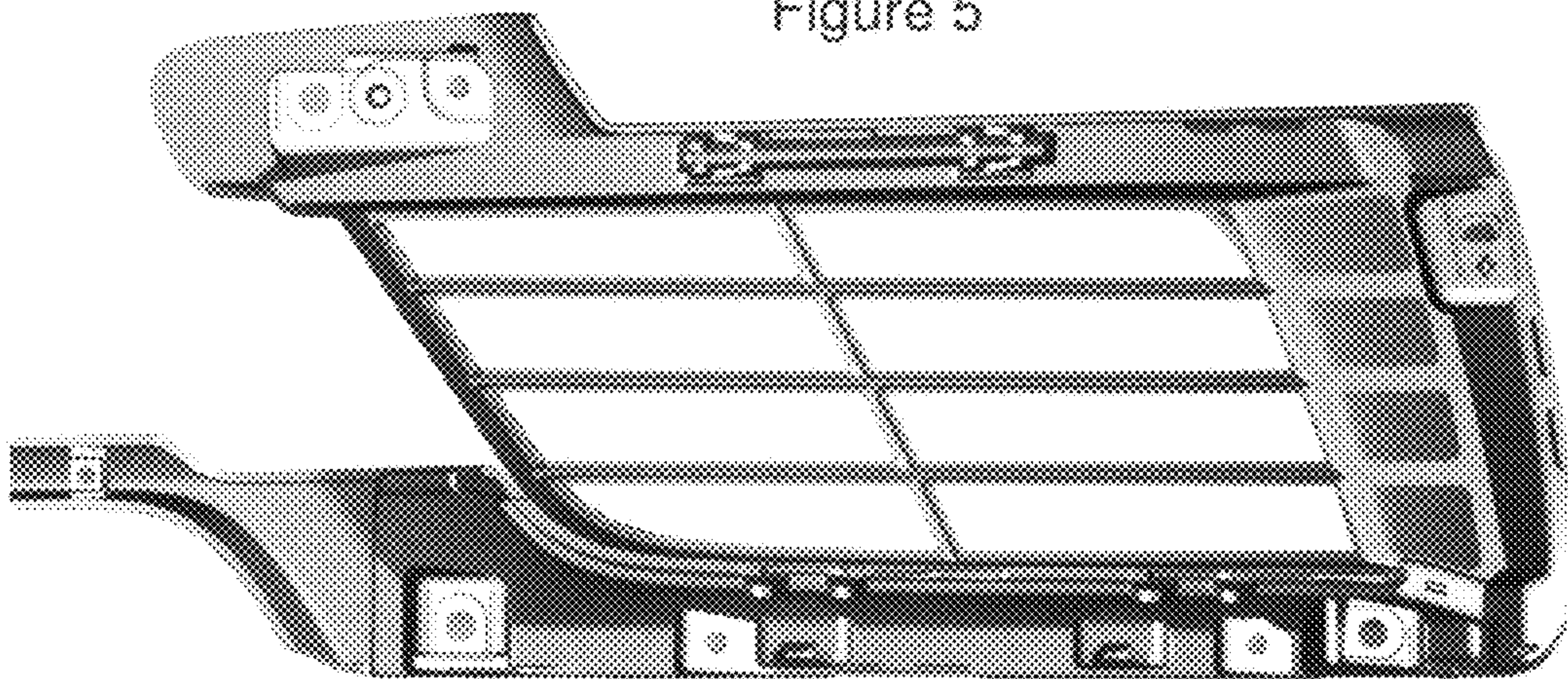


Figure 5



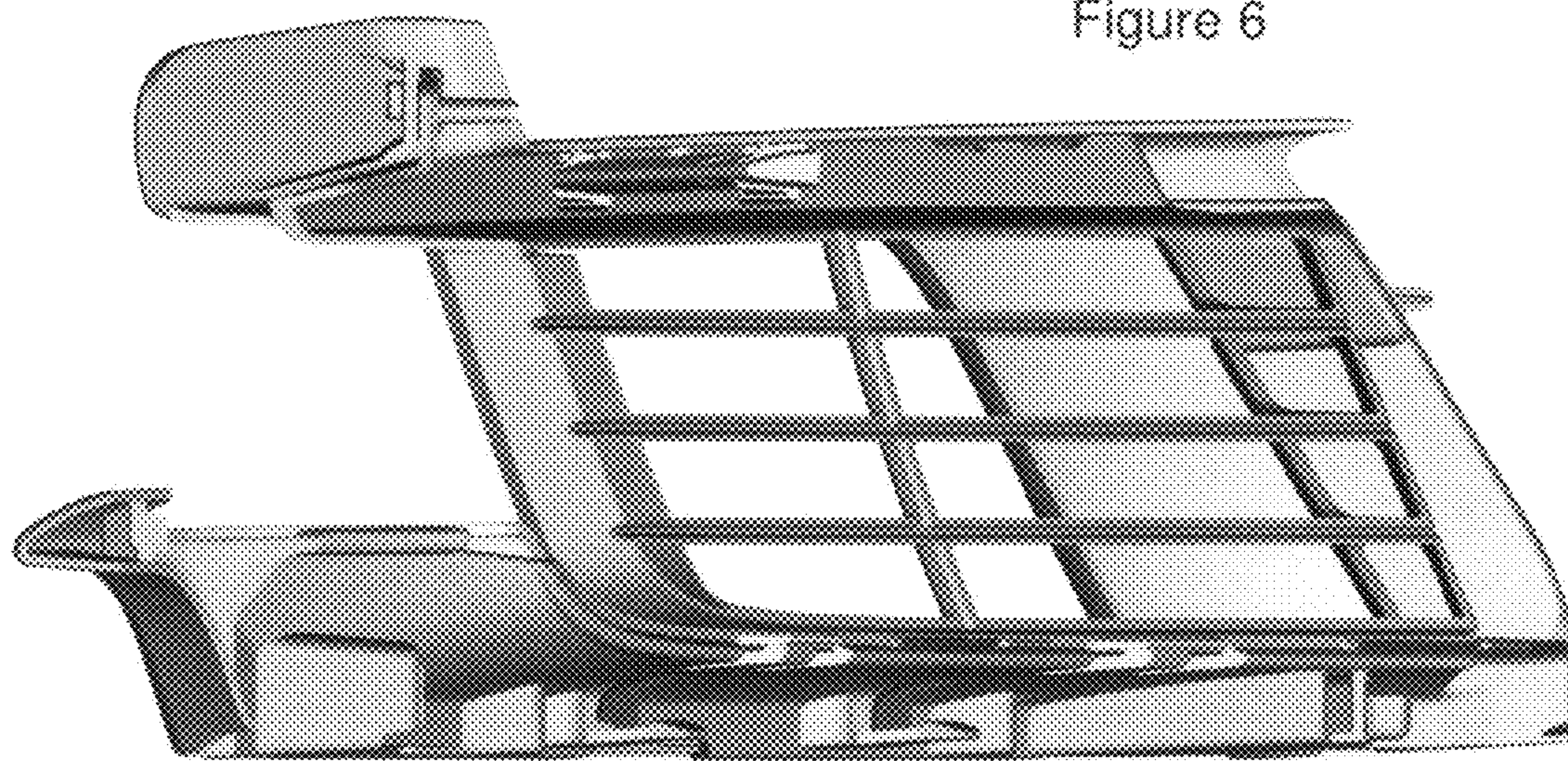
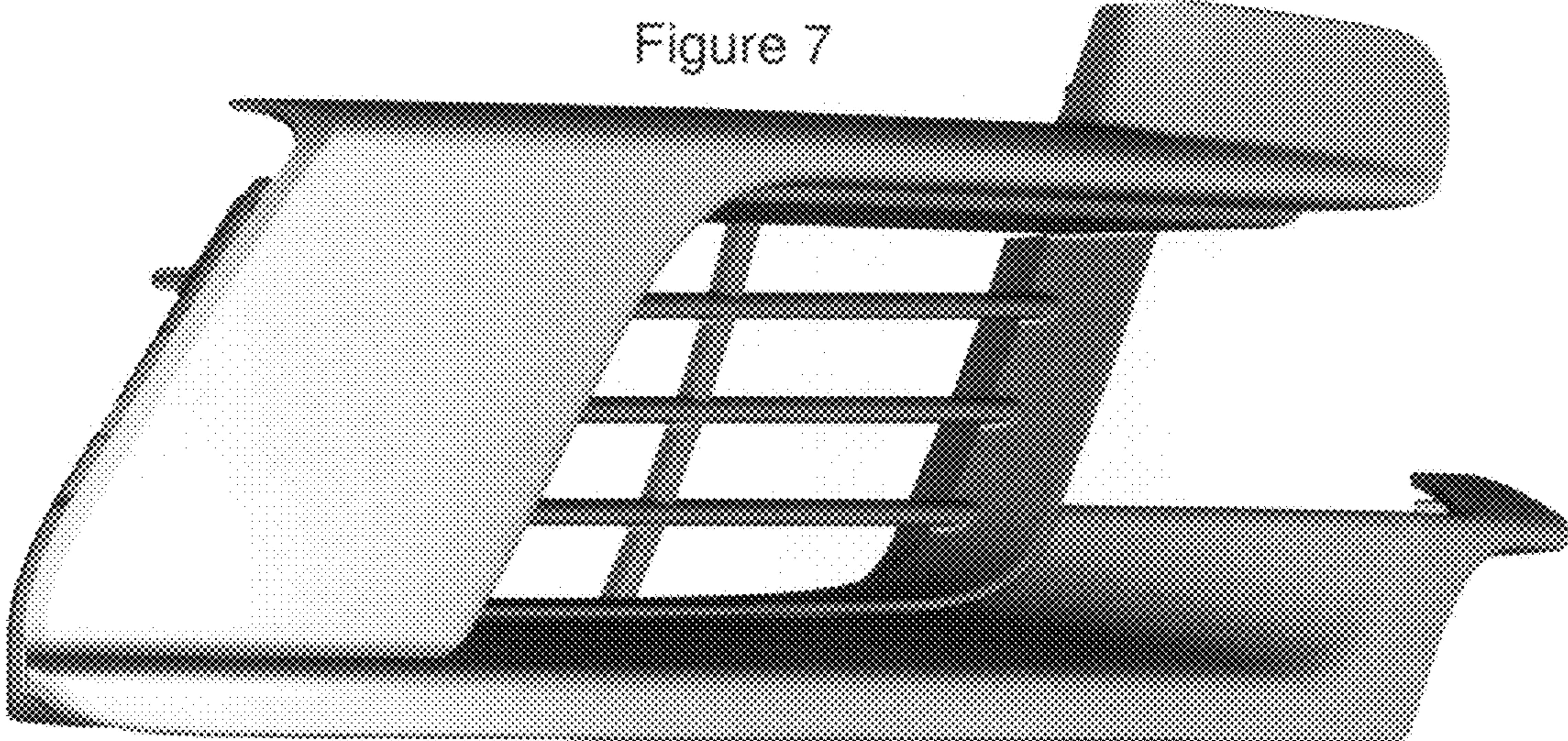


Figure 7



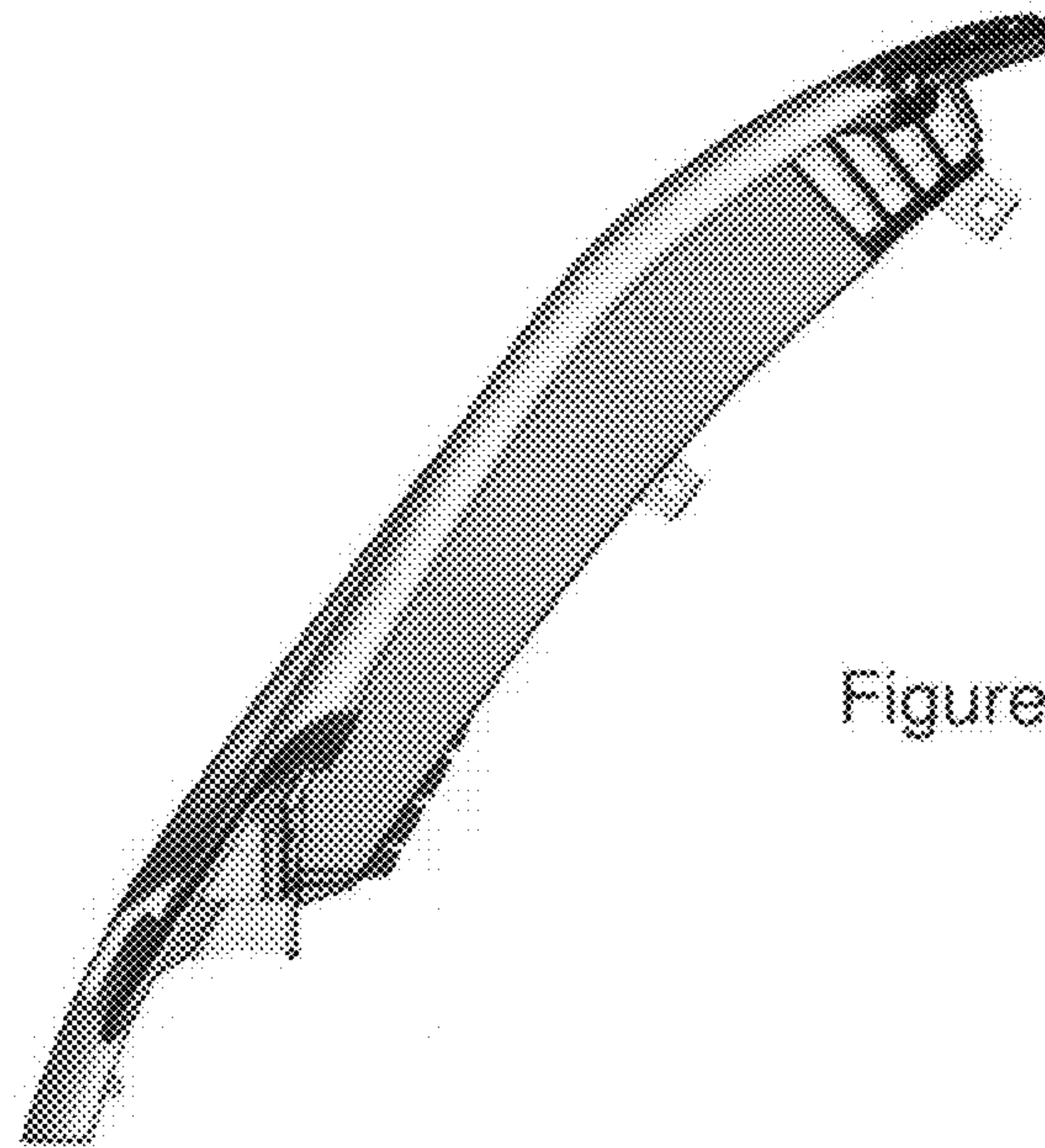


Figure 8

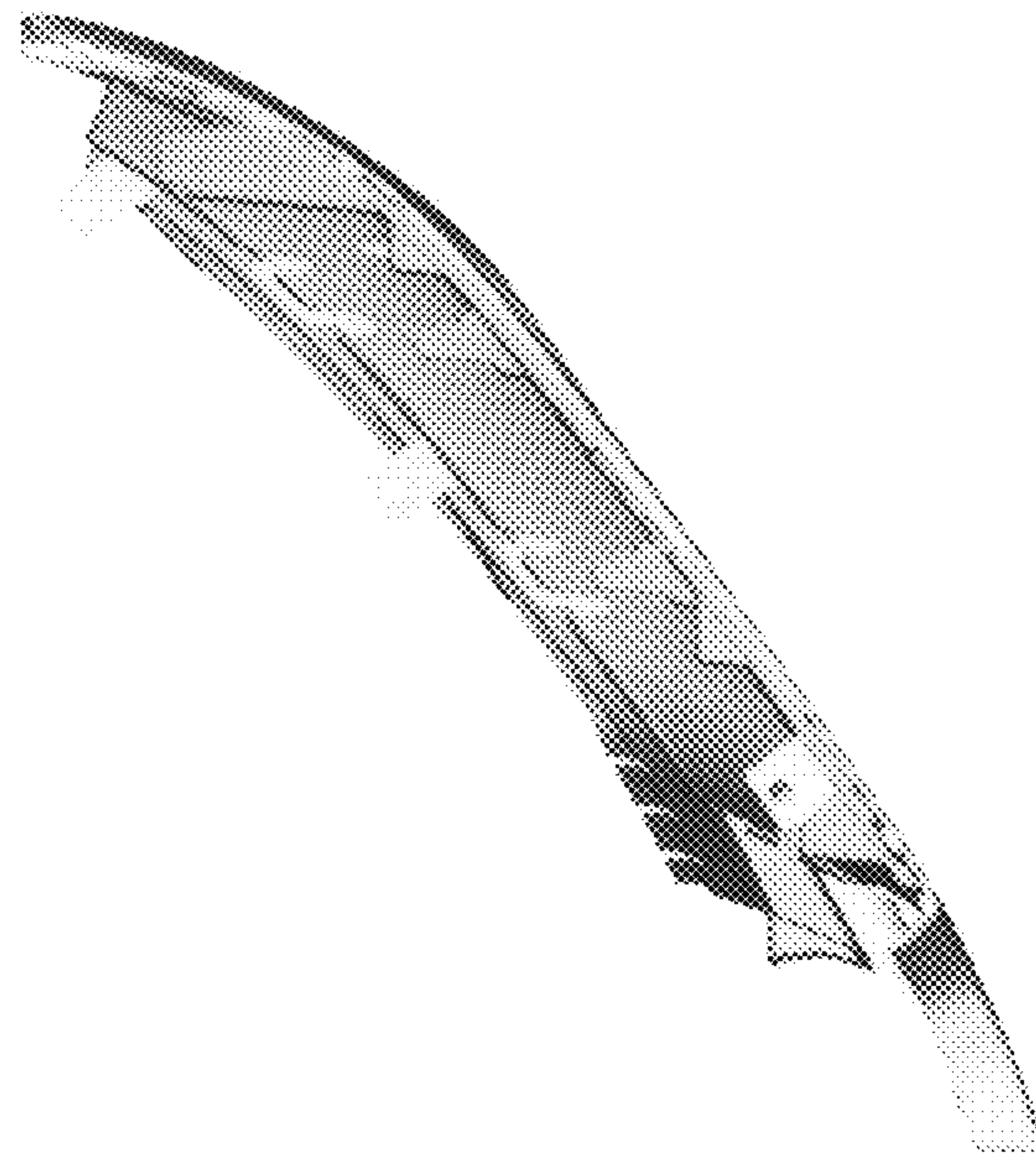


Figure 9