



US00D780959S

(12) **United States Design Patent**
Curic et al.

(10) **Patent No.:** **US D780,959 S**
(45) **Date of Patent:** **** Mar. 7, 2017**

- (54) **VEHICLE HEADLAMP**
- (71) Applicant: **Ford Global Technologies, LLC**,
Dearborn, MI (US)
- (72) Inventors: **Kemal Curic**, West Bloomfield, MI
(US); **Shawn Wehrly**, Northville, MI
(US)
- (73) Assignee: **Ford Global Technologies, LLC**,
Dearborn, MI (US)
- (**) Term: **15 Years**
- (21) Appl. No.: **29/505,605**
- (22) Filed: **Dec. 23, 2015**
- (51) **LOC (10) Cl.** **26-07**
- (52) **U.S. Cl.**
USPC **D26/28**
- (58) **Field of Classification Search**
USPC D26/28-36; 362/459-468, 475-478,
362/485-487
CPC F21S 48/00; F21S 48/10; F21S 48/115;
F21S 48/225; F21S 48/1233; F21S
48/1266; F21S 48/1388; F21S 48/2268;
F21V 21/04
See application file for complete search history.

- D721,836 S * 1/2015 Gotschke D26/28
- D730,552 S * 5/2015 George D26/28
- D735,914 S * 8/2015 Gotschke D26/28
- D740,980 S * 10/2015 Park D26/28
- D751,740 S * 3/2016 Wolff D26/28
- D753,323 S * 4/2016 George D26/28
- D754,892 S * 4/2016 Hatton D26/28
- D760,933 S * 7/2016 Keskin D26/28
- D761,980 S * 7/2016 Keskin D26/28

* cited by examiner

Primary Examiner — Angela J Lee

(74) *Attorney, Agent, or Firm* — Damian Porcari

(57) **CLAIM**

The ornamental design for a vehicle headlamp, as shown and described.

DESCRIPTION

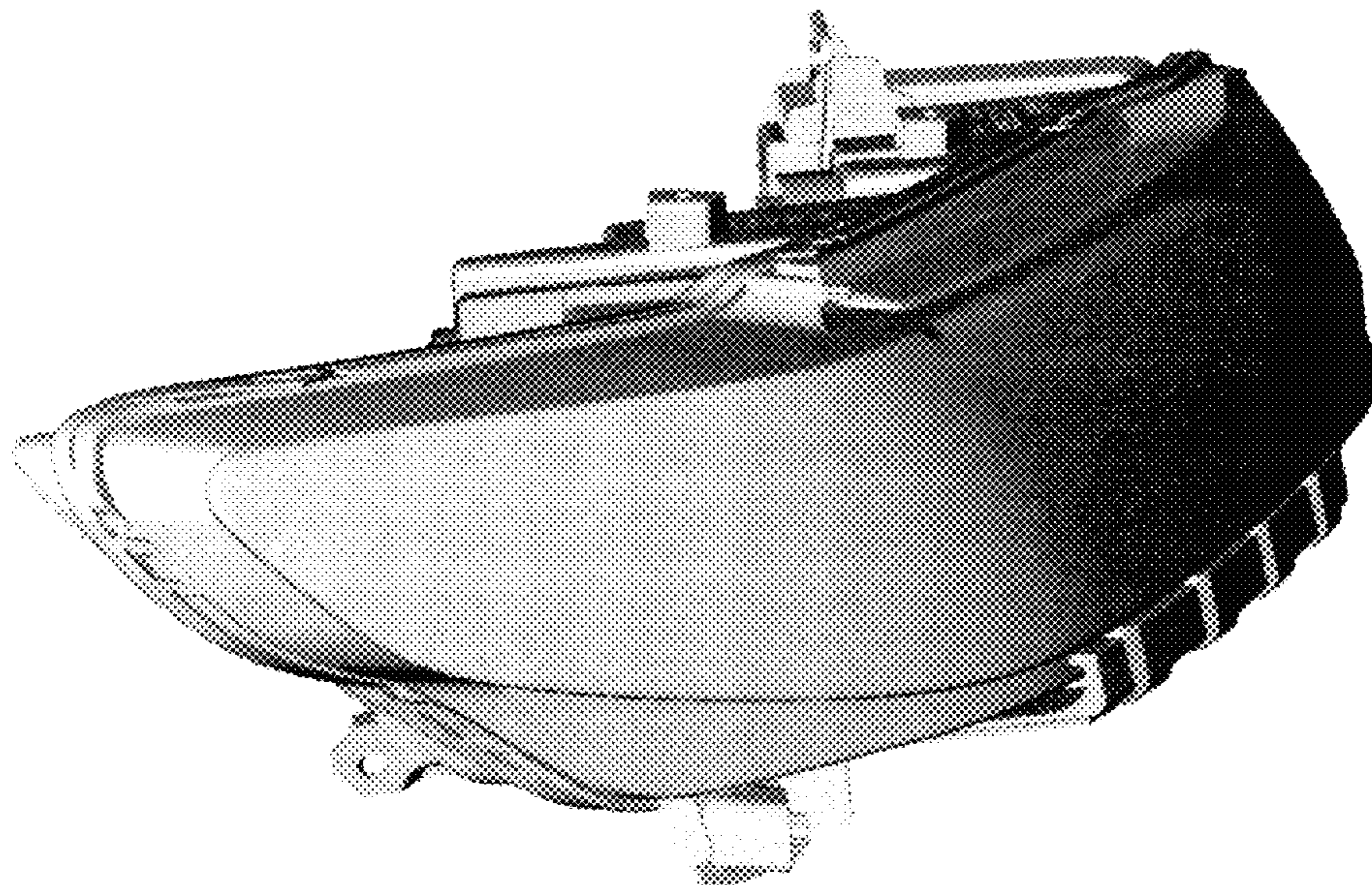
FIG. 1 is a top front perspective view of the first embodiment of a vehicle headlamp, showing our new design; FIG. 2 is a bottom front perspective view thereof; FIG. 3 is a top rear perspective view thereof; FIG. 4 is a front elevational view thereof; FIG. 5 is a rear elevational view thereof; FIG. 6 is a left side elevational view thereof; FIG. 7 is a right side elevational view thereof; FIG. 8 is a top plan view thereof; and, FIG. 9 is a bottom plan view thereof. The second embodiment of the vehicle headlamp is a mirror image of the first embodiment disclosed in FIGS. 1 through 9 and is not shown.

(56) **References Cited**

U.S. PATENT DOCUMENTS

- D580,571 S * 11/2008 Gotschke D26/28
- D606,214 S * 12/2009 Lamm D26/28

1 Claim, 9 Drawing Sheets



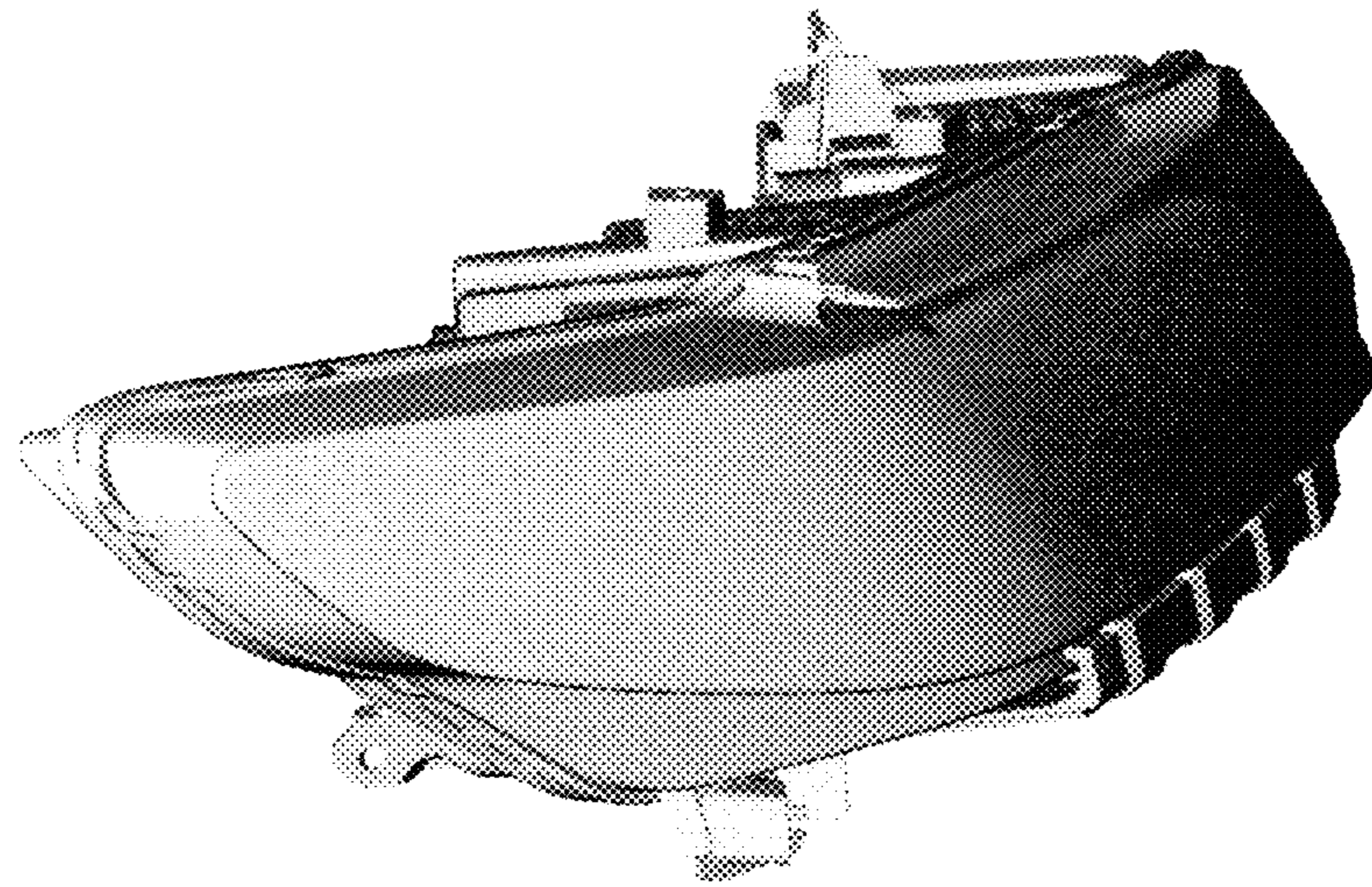


Figure 1

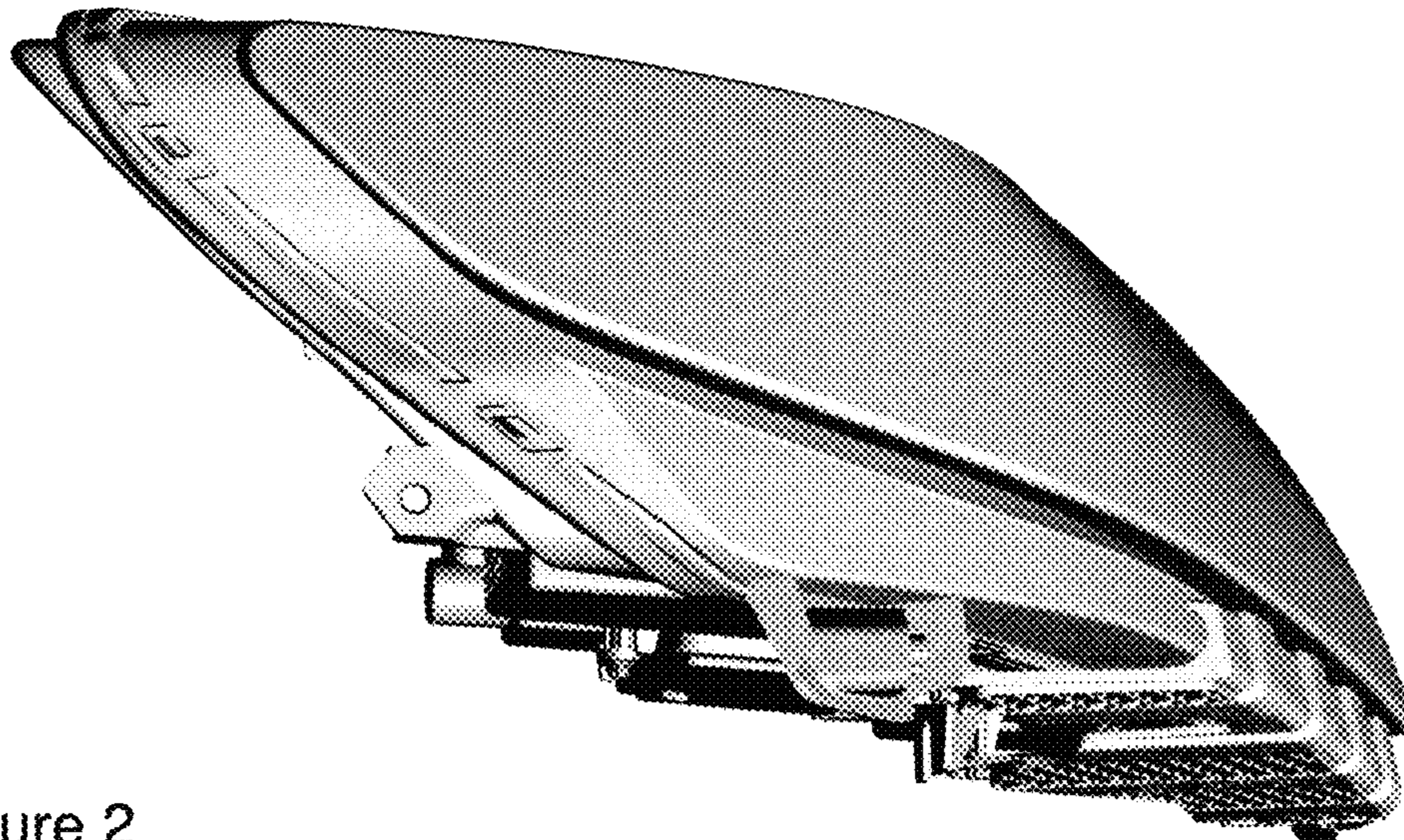


Figure 2

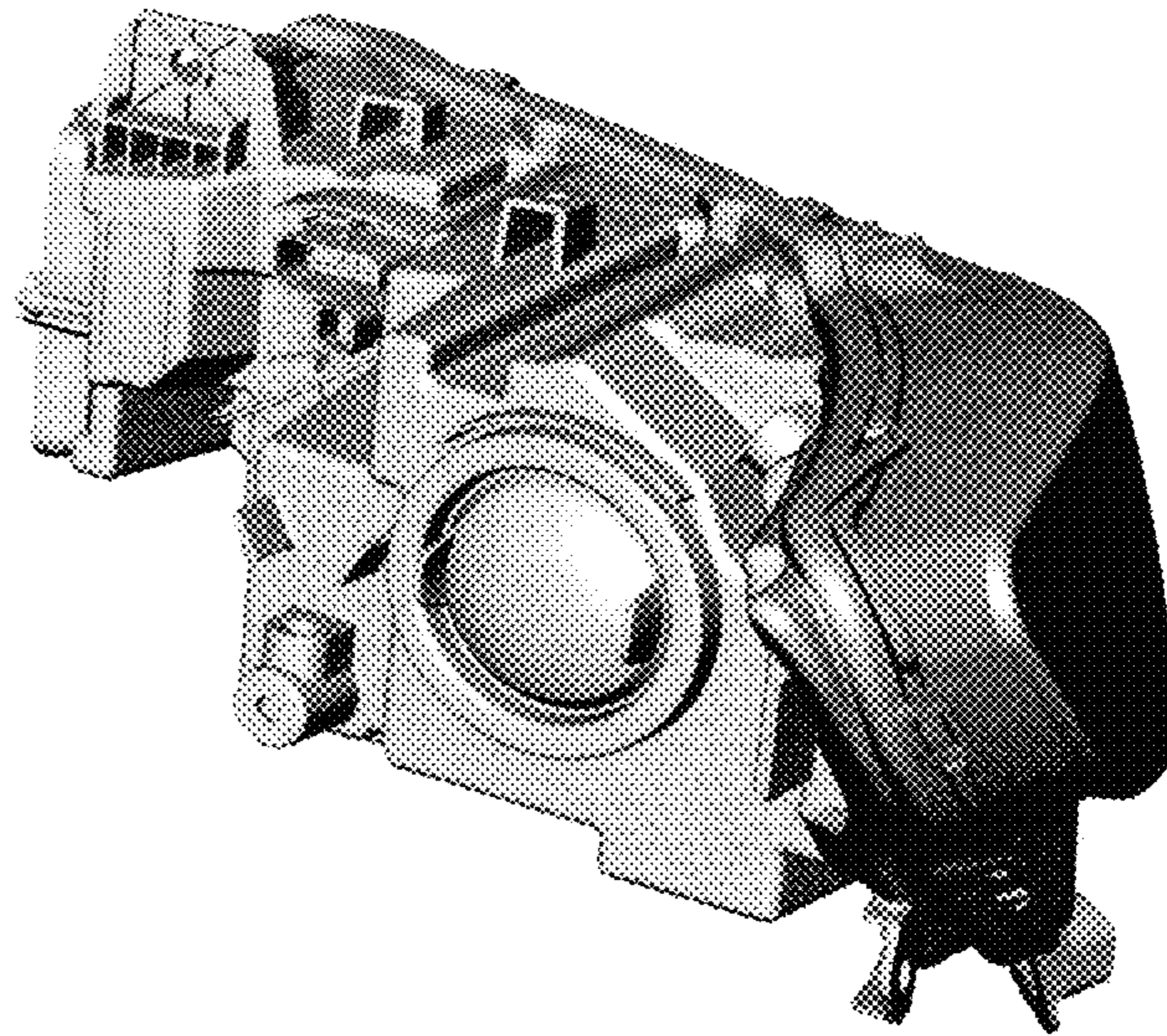


Figure 3

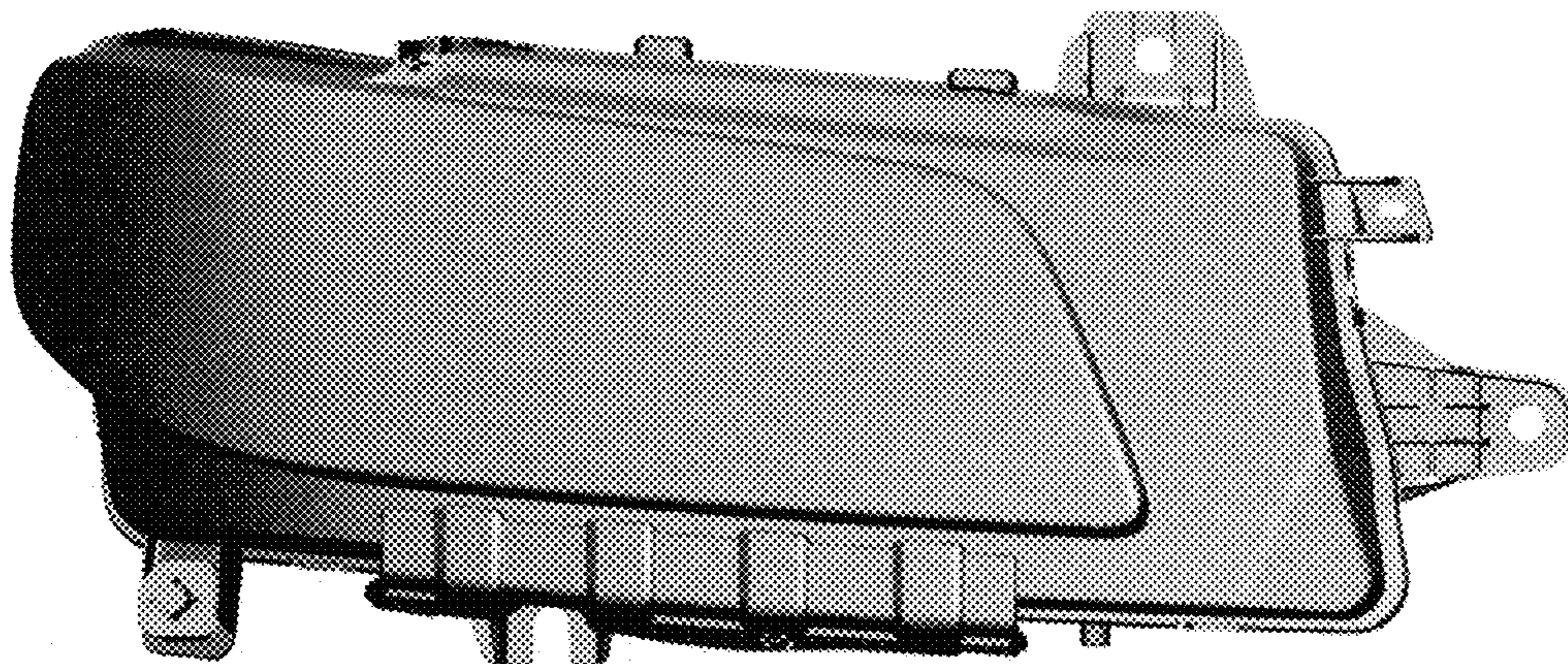


Figure 4

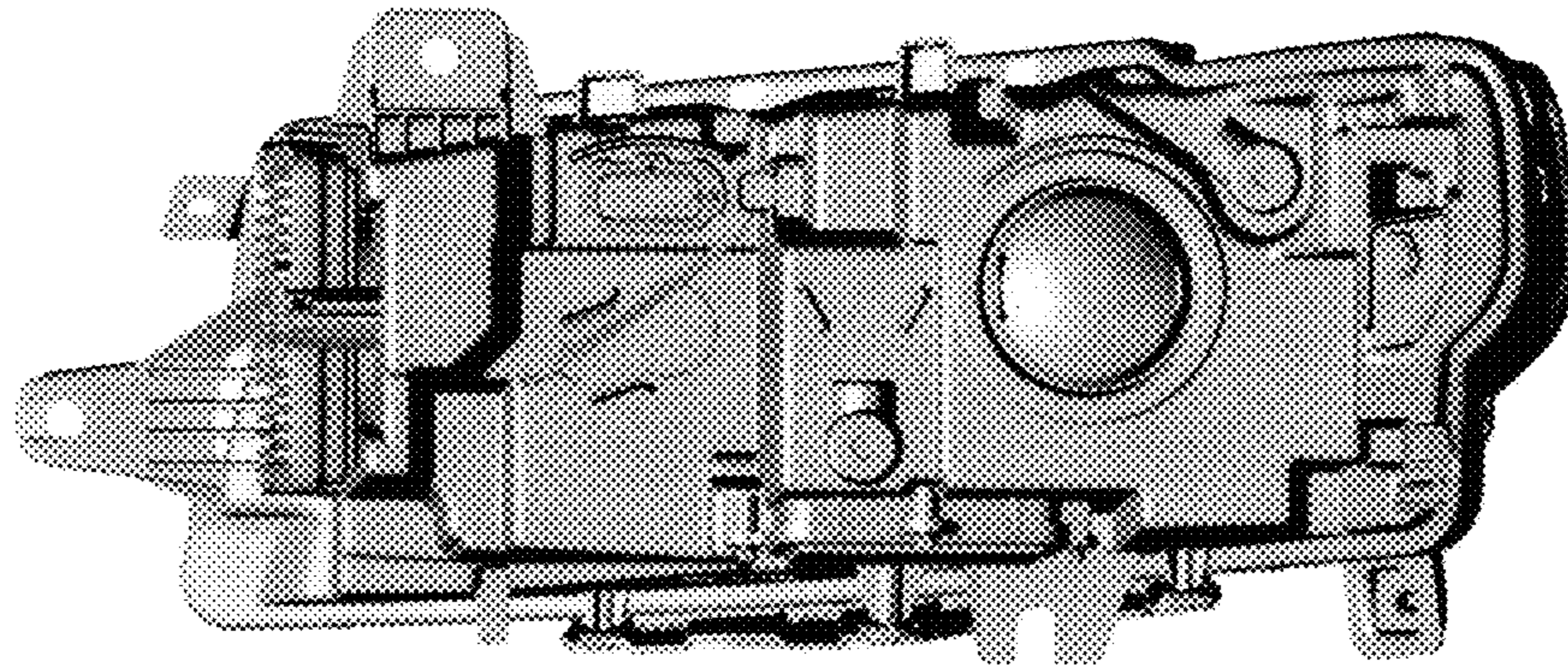


Figure 5

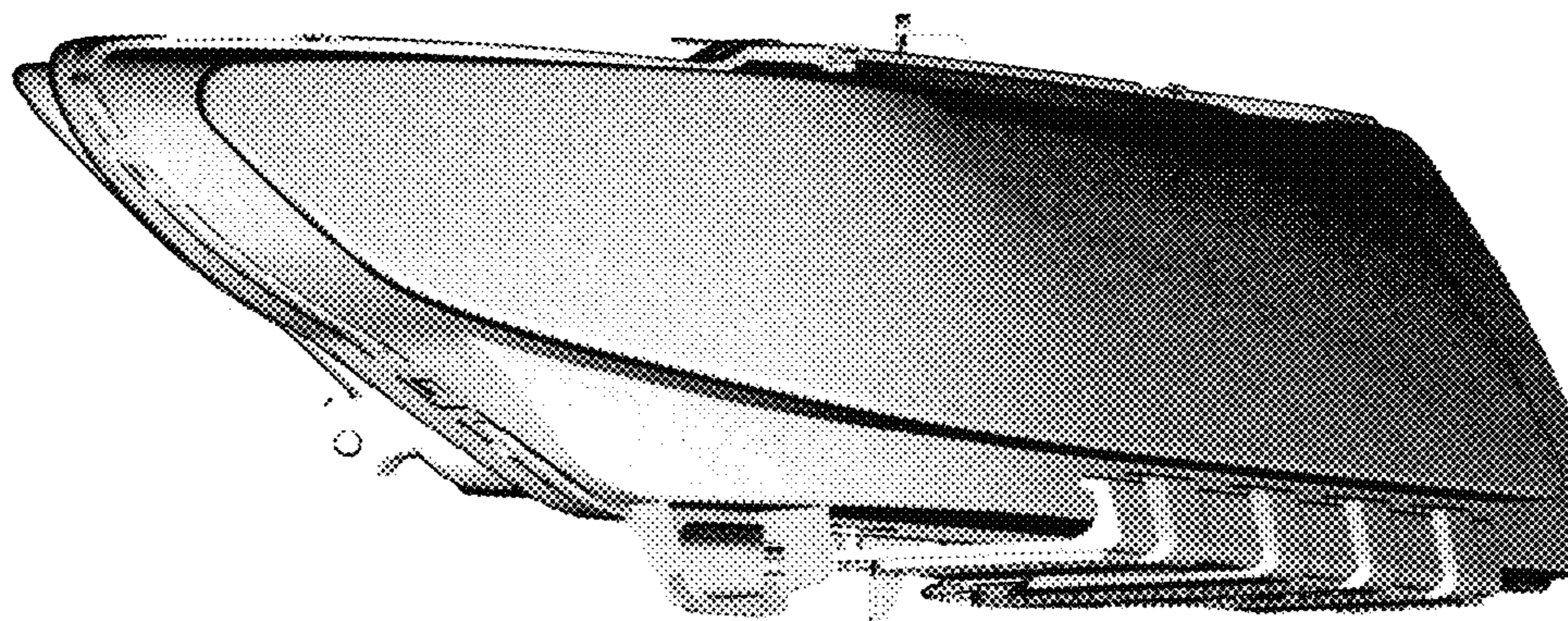


Figure 6

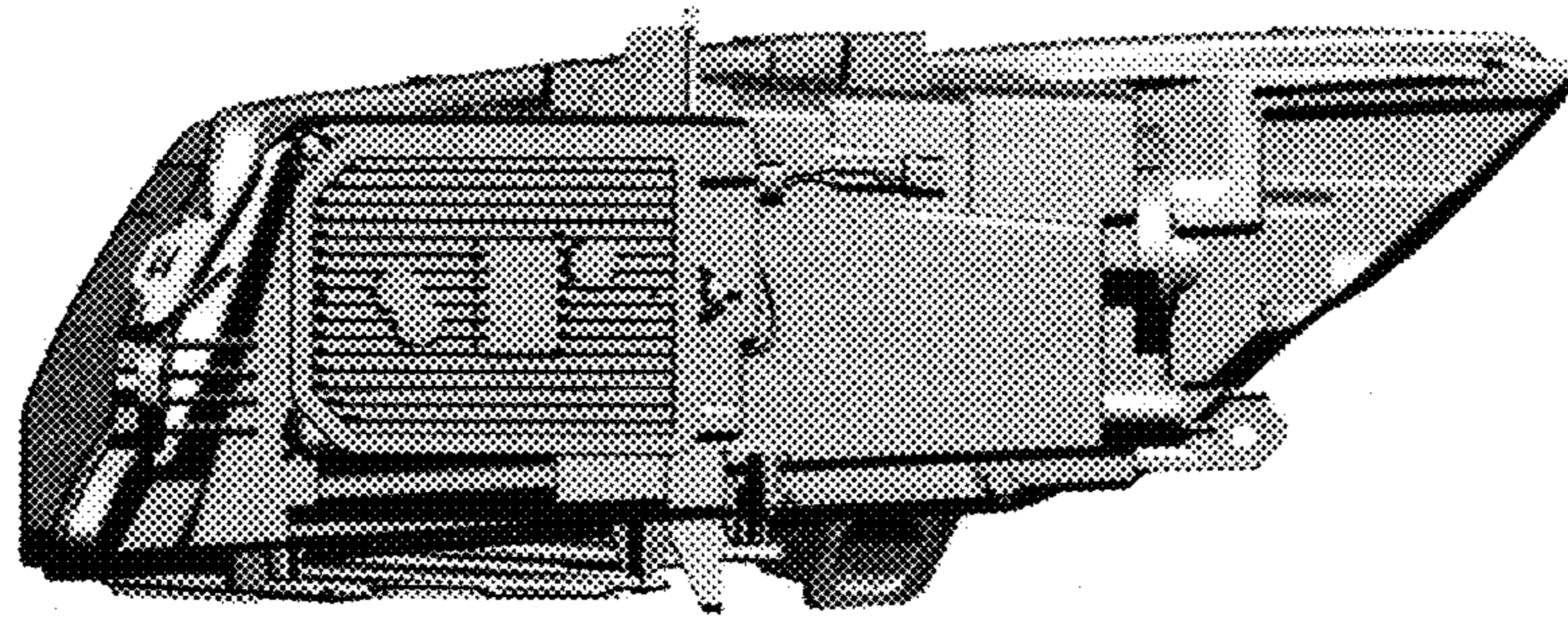
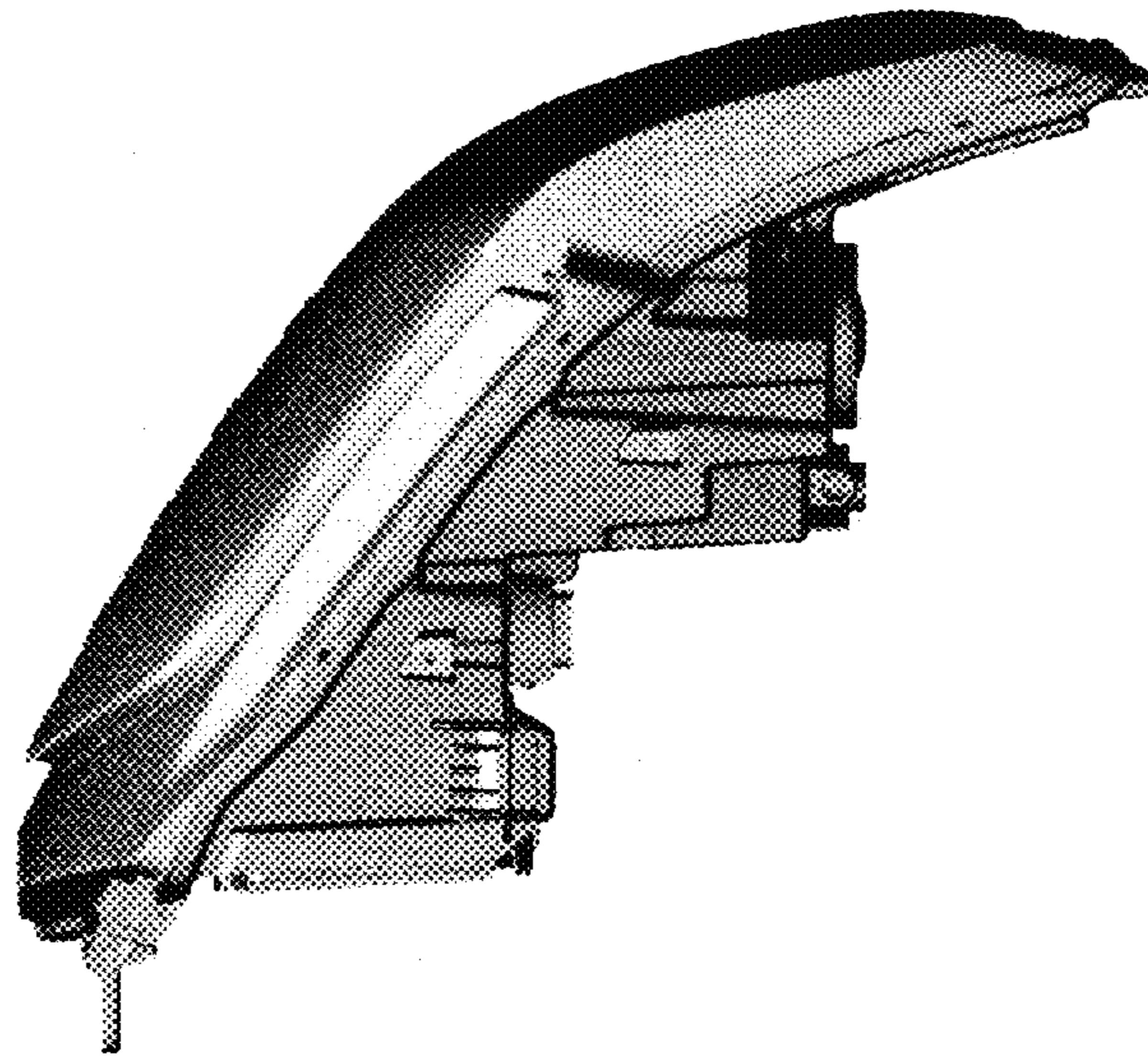


Figure 7

Figure 8



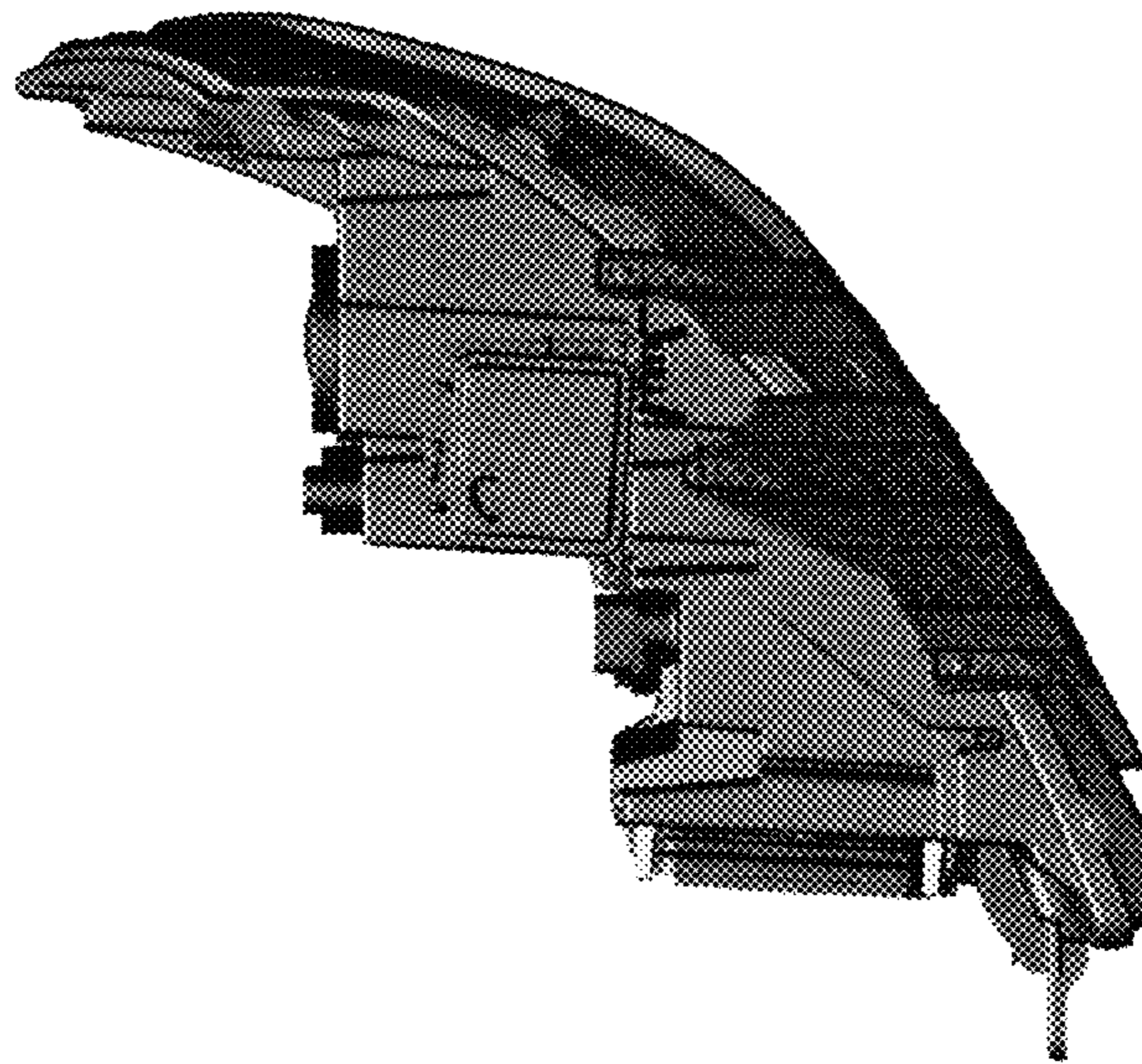


Figure 9