



US00D780958S

(12) **United States Design Patent** (10) **Patent No.:** **US D780,958 S**
Balogh et al. (45) **Date of Patent:** **** Mar. 7, 2017**

(54) **RETROFIT LAMP WITH LED LIGHT SOURCE FILAMENT**

(71) Applicant: **GE LIGHTING SOLUTIONS, LLC**,
East Cleveland, OH (US)

(72) Inventors: **Zsolt Balogh**, Nagykanizsa (HU);
Istvan Banyai, Nagykanizsa (HU)

(73) Assignee: **GE LIGHTING SOLUTIONS, LLC**,
East Cleveland, OH (US)

(**) Term: **15 Years**

(21) Appl. No.: **29/547,643**

(22) Filed: **Dec. 6, 2015**

(51) **LOC (10) Cl.** **26-04**

(52) **U.S. Cl.**
USPC **D26/3**

(58) **Field of Classification Search**
USPC D26/1-4; 313/313, 315, 316, 317, 318,
313/493; 315/52, 53, 56, 57, 58
(Continued)

(56) **References Cited**

U.S. PATENT DOCUMENTS

D284,793 S 7/1986 Engel
D302,861 S 8/1989 Tayama
(Continued)

FOREIGN PATENT DOCUMENTS

CN 202733520 U 2/2013
CN 202812851 U 3/2013
(Continued)

OTHER PUBLICATIONS

Ecosung, "CFL Light Bulb 7W LED Energy Saving 3U Magic Corn E27 LED Corn LED Corn Bulb", http://www.ecosung.com/7W_CFL_LED_light.html, pp. 1.

(Continued)

Primary Examiner — Marcus Jackson

(74) *Attorney, Agent, or Firm* — GE Global Patent Operation; Peter T. DiMauro

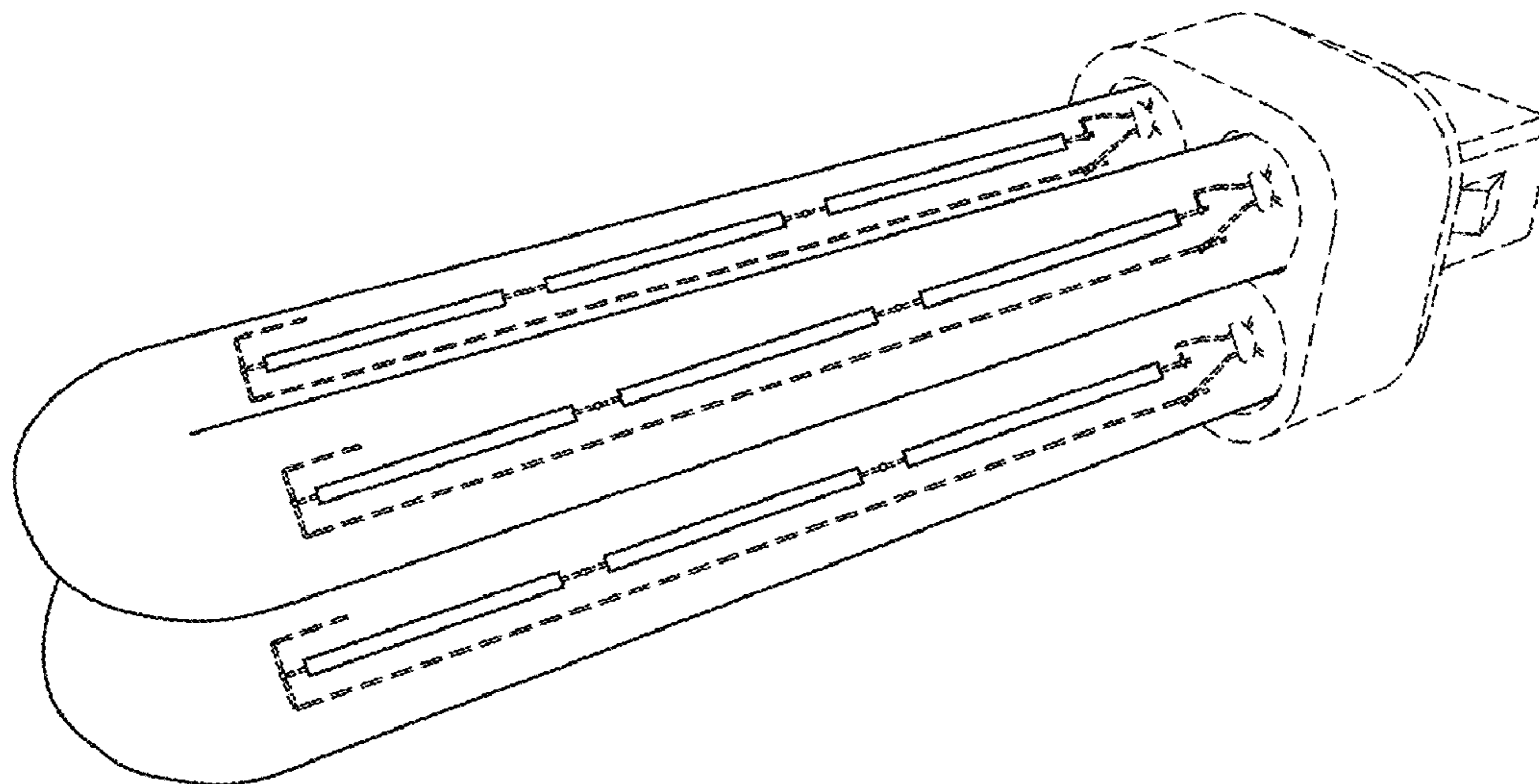
(57) **CLAIM**

The ornamental design for a retrofit lamp with LED light source filament, as shown and described.

DESCRIPTION

FIG. 1 is a perspective view of a retrofit lamp with LED light source filament with three LED filaments; FIG. 2 is a front elevation view of the lamp of FIG. 1; FIG. 3 is a left elevation view of the lamp of FIG. 1; FIG. 4 is a rear elevation view of the lamp of FIG. 1; FIG. 5 is a right elevation view of the lamp of FIG. 1; FIG. 6 is a perspective view of a retrofit lamp with LED light source filament, with two LED filaments; FIG. 7 is a front elevation view of the lamp of FIG. 6; FIG. 8 is a left elevation view of the lamp of FIG. 6; FIG. 9 is a rear elevation view of the lamp of FIG. 6; FIG. 10 is a right elevation view of the lamp of FIG. 6; FIG. 11 is a bottom plan view of the lamp of FIGS. 1 and 6; and, FIG. 12 is a top plan view of the lamp of FIGS. 1 and 6. The phantom lines showing capper, lamp base, and inter-connecting leads as well as the shape, position, and size of these are for illustrative purposes only and form no part of the claimed design. Any shading forms no part of the claimed design and is provided to illustrate contour only and is not an indication of texture, gloss, etc.

1 Claim, 11 Drawing Sheets



(58) **Field of Classification Search**
CPC H01J 5/00; H01J 5/16; H01J 15/00; H01J
5/48; H01J 5/50; H01J 19/54; H01R 5/00;
H01R 13/46; H01R 13/514; H01R
31/048; H01R 31/02; F21V 5/00
See application file for complete search history.

8,860,309 B2 10/2014 Huang
2015/0036341 A1 2/2015 Ge et al.
2015/0069442 A1 3/2015 Liu et al.

FOREIGN PATENT DOCUMENTS

CN 203162665 U 8/2013
CN 204042493 U 12/2014

(56) **References Cited**

U.S. PATENT DOCUMENTS

D334,244 S 3/1993 Shaffer et al.
D334,245 S 3/1993 Blaisdell et al.
D348,528 S 7/1994 De Kleine et al.
D417,296 S * 11/1999 Kato D26/3
D428,502 S * 7/2000 Ho D26/3
D429,348 S 8/2000 Holzer
D447,254 S * 8/2001 Takeuchi D26/3
D464,154 S * 10/2002 Xu D26/3
D471,653 S 3/2003 Lin et al.
D498,311 S 11/2004 Leung et al.
D513,080 S 12/2005 Foo
8,115,370 B2 2/2012 Huang
8,226,266 B2 7/2012 Chiang

OTHER PUBLICATIONS

Alibaba.com, "Awesome 4U 10W Energy Saving SMD Lamp or
Good Quality LED Light CFL LED 2U Light", http://www.alibaba.com/product-detail/Awesome-4u-10w-ENERGY-saving-smd_60121557993.html, pp. 1-10.
US Notice of References Cited issued in connection with Related
U.S. Appl. No. 29/547,642 on Nov. 21, 2016.
US Notice of References Cited issued in connection with Related
U.S. Appl. No. 29/547,644 on Nov. 21, 2016.
US Notice of References Cited issued in connection with Related
U.S. Appl. No. 29/1547,645 on Nov. 23, 2016.

* cited by examiner

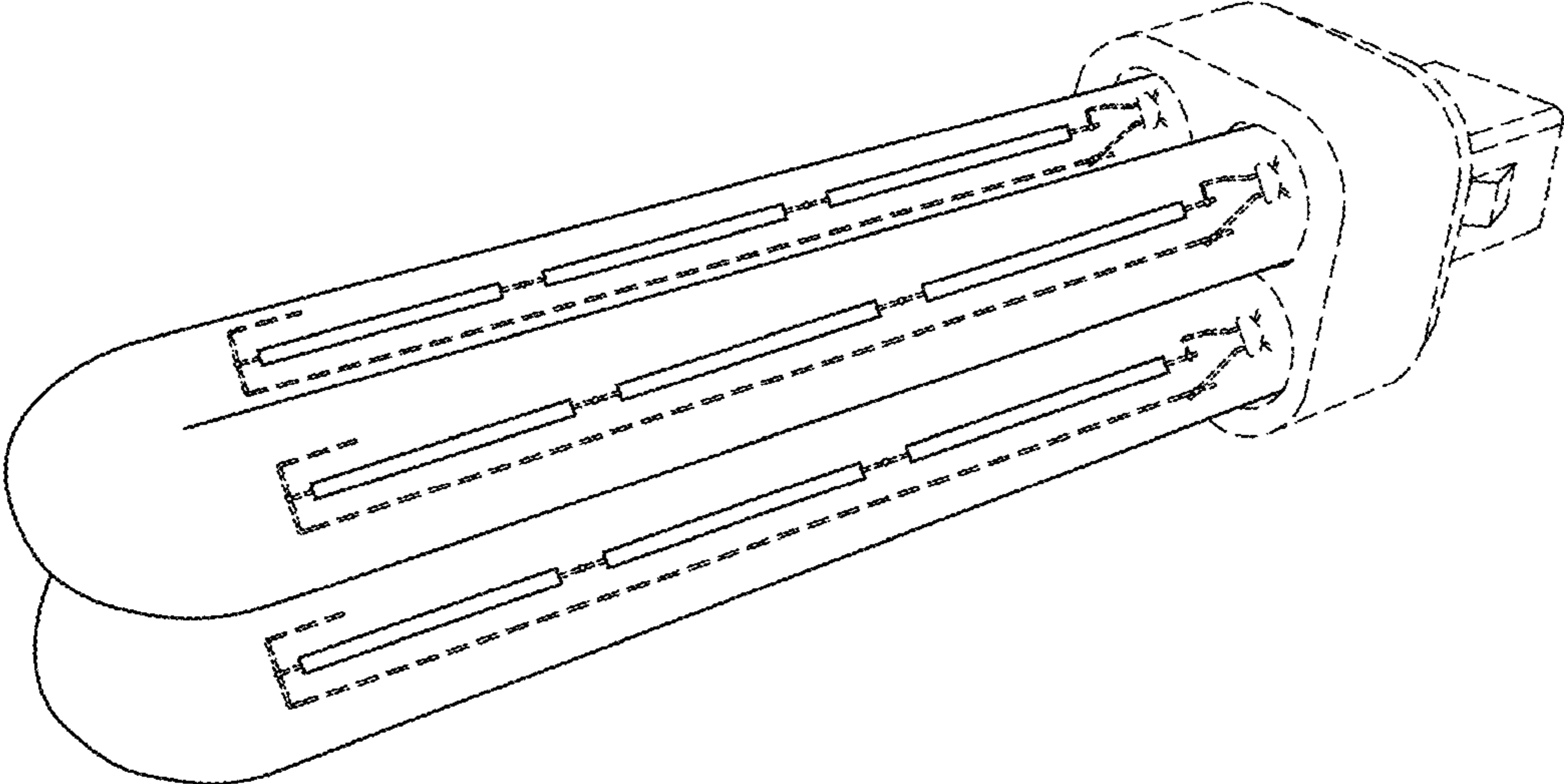


Fig. 1

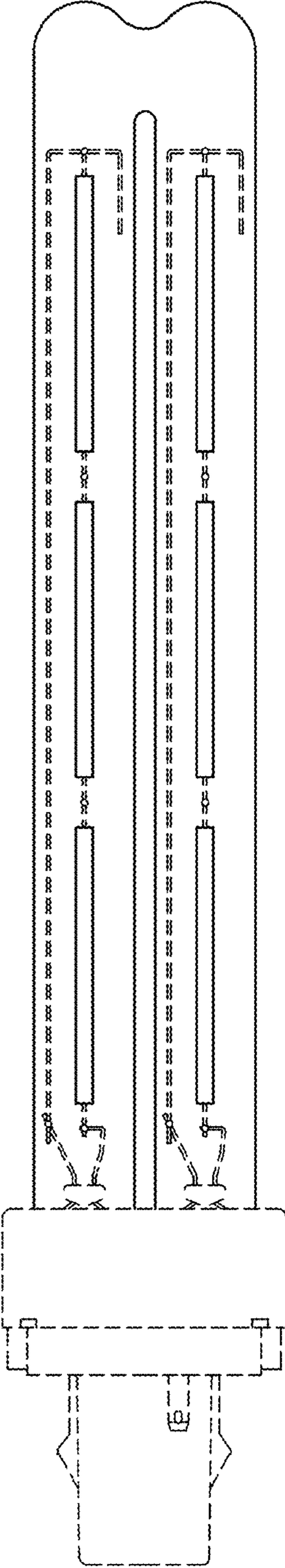


Fig. 2

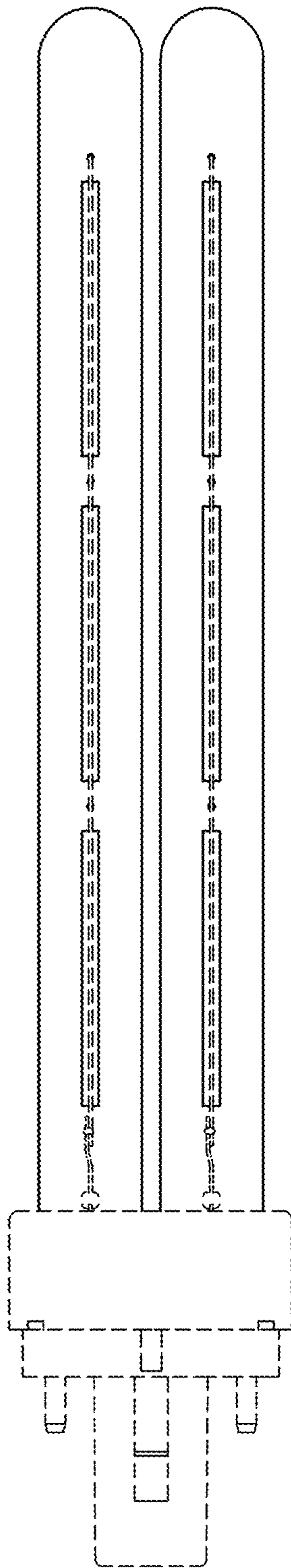


Fig. 3

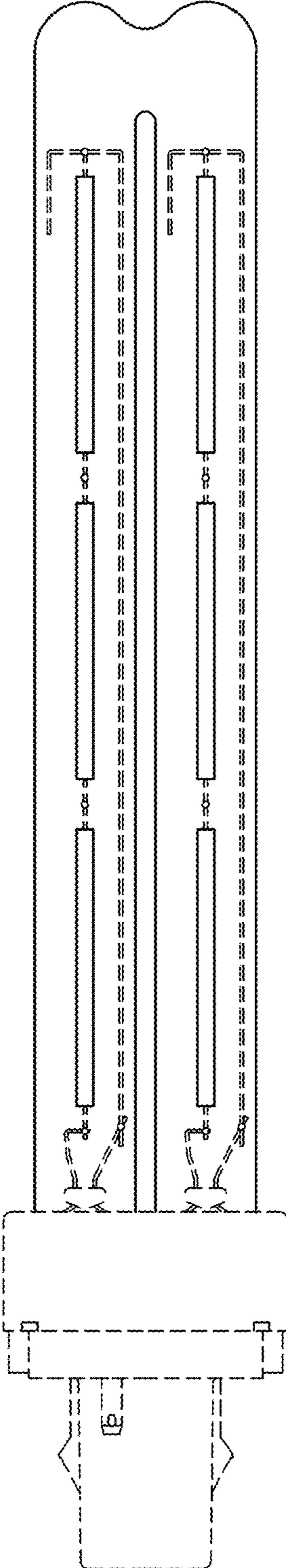


Fig. 4

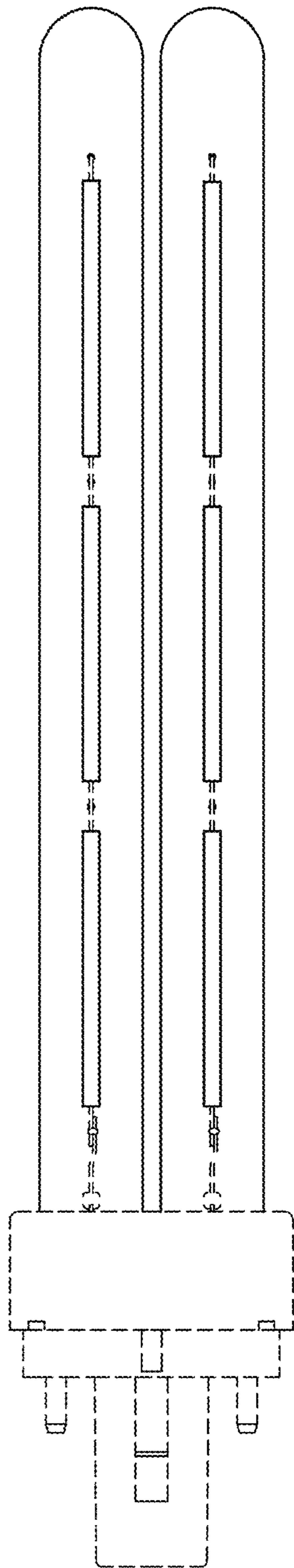


Fig. 5

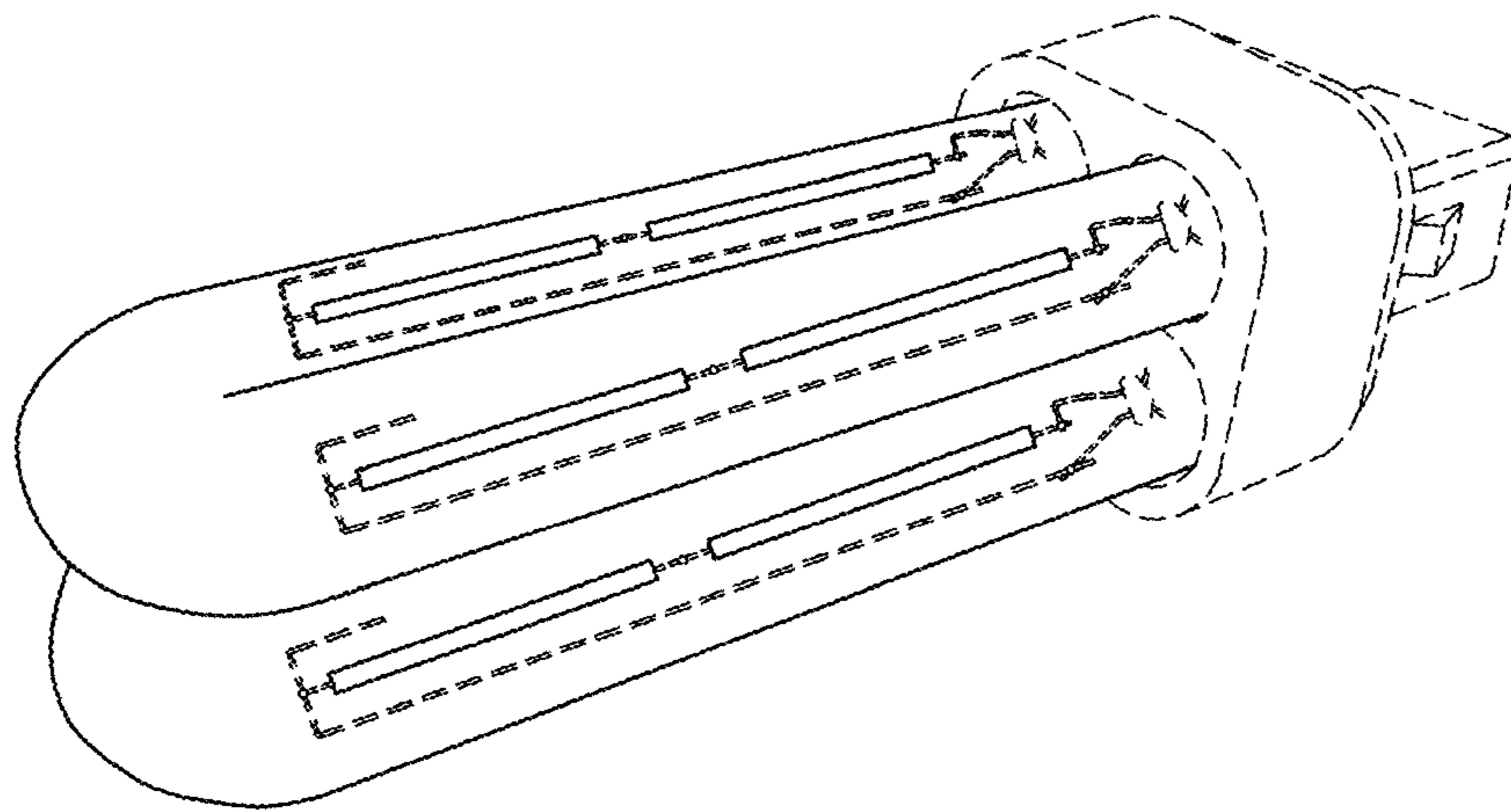


Fig. 6

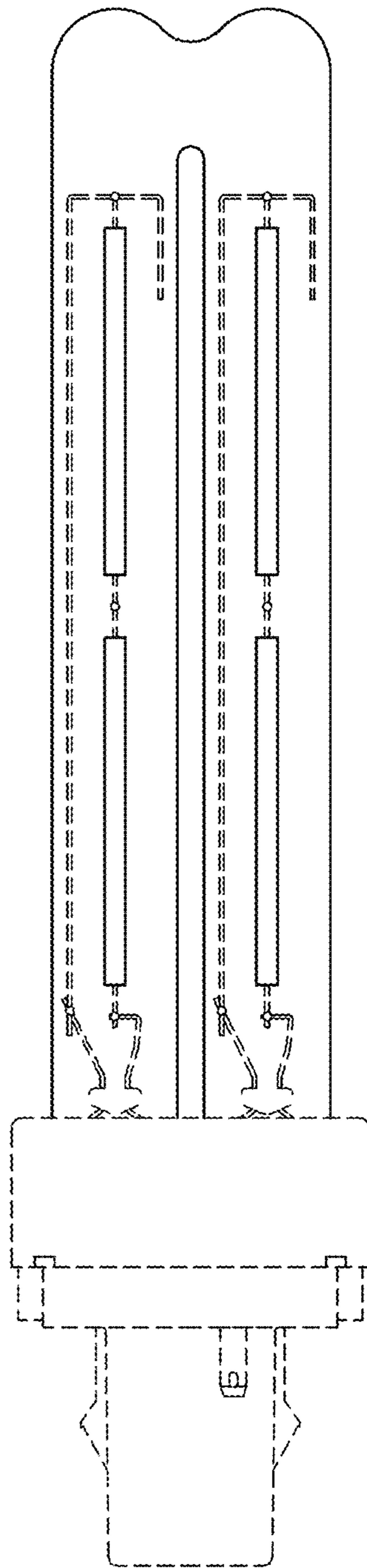


Fig. 7

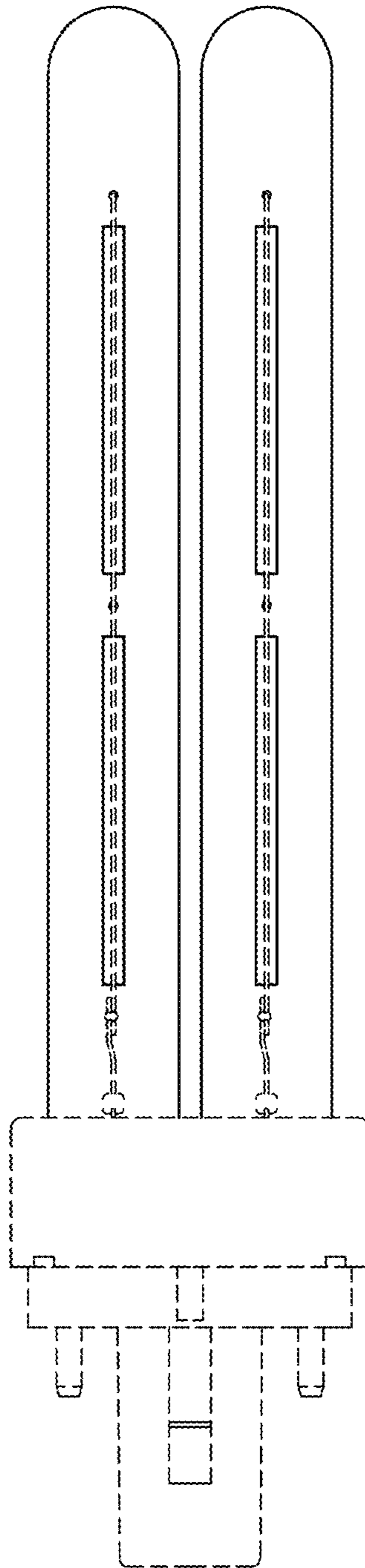


Fig. 8

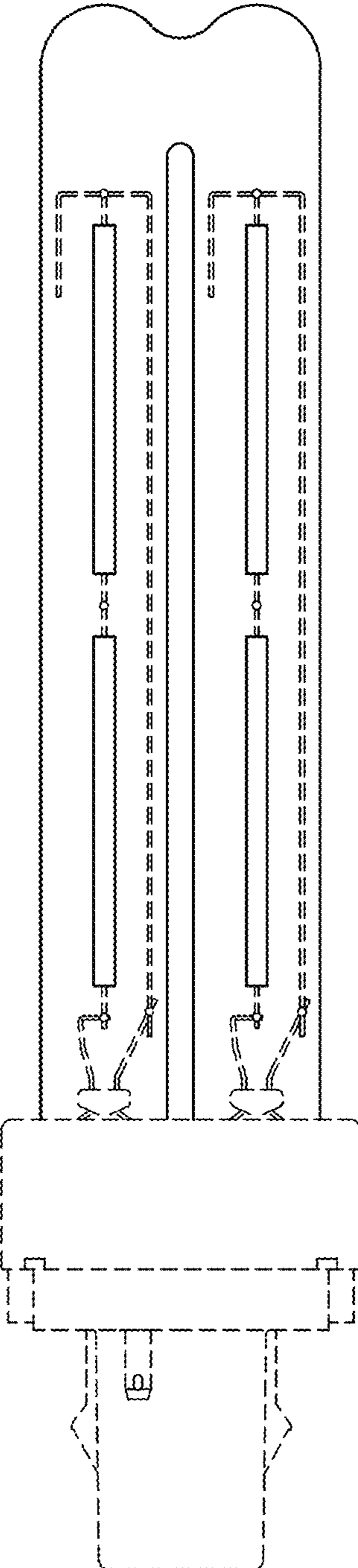


Fig. 9

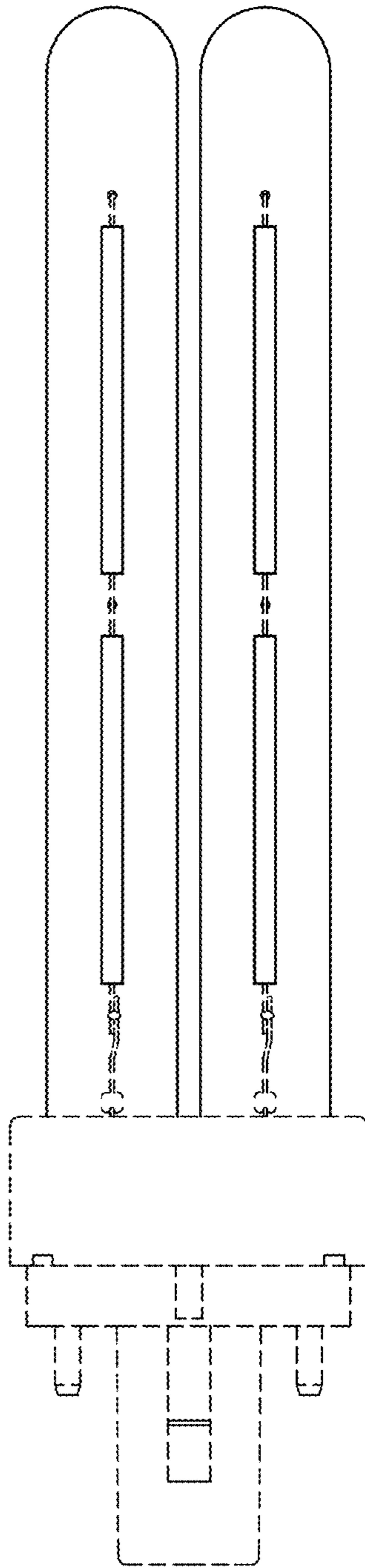


Fig. 10

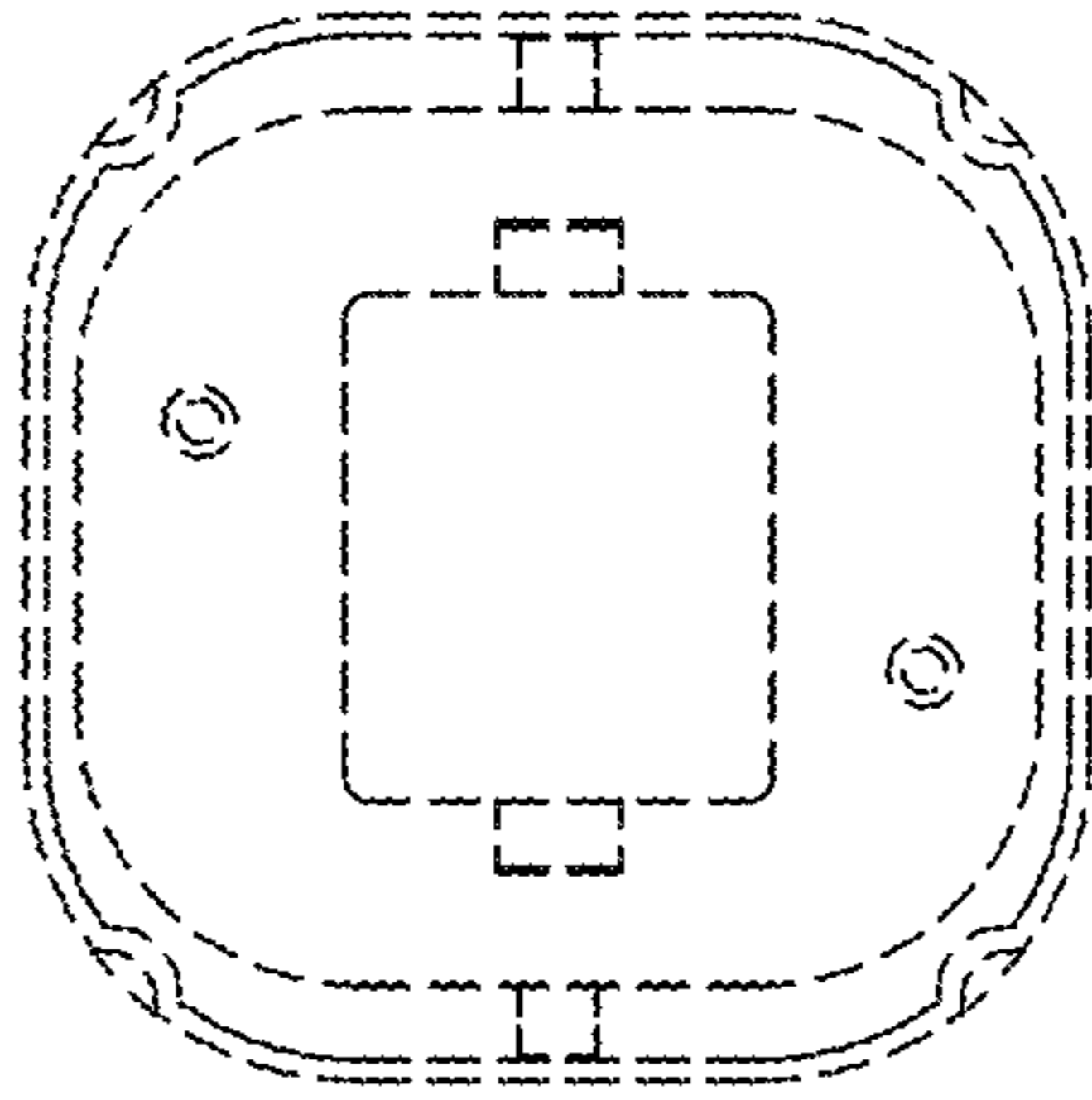


Fig. 11

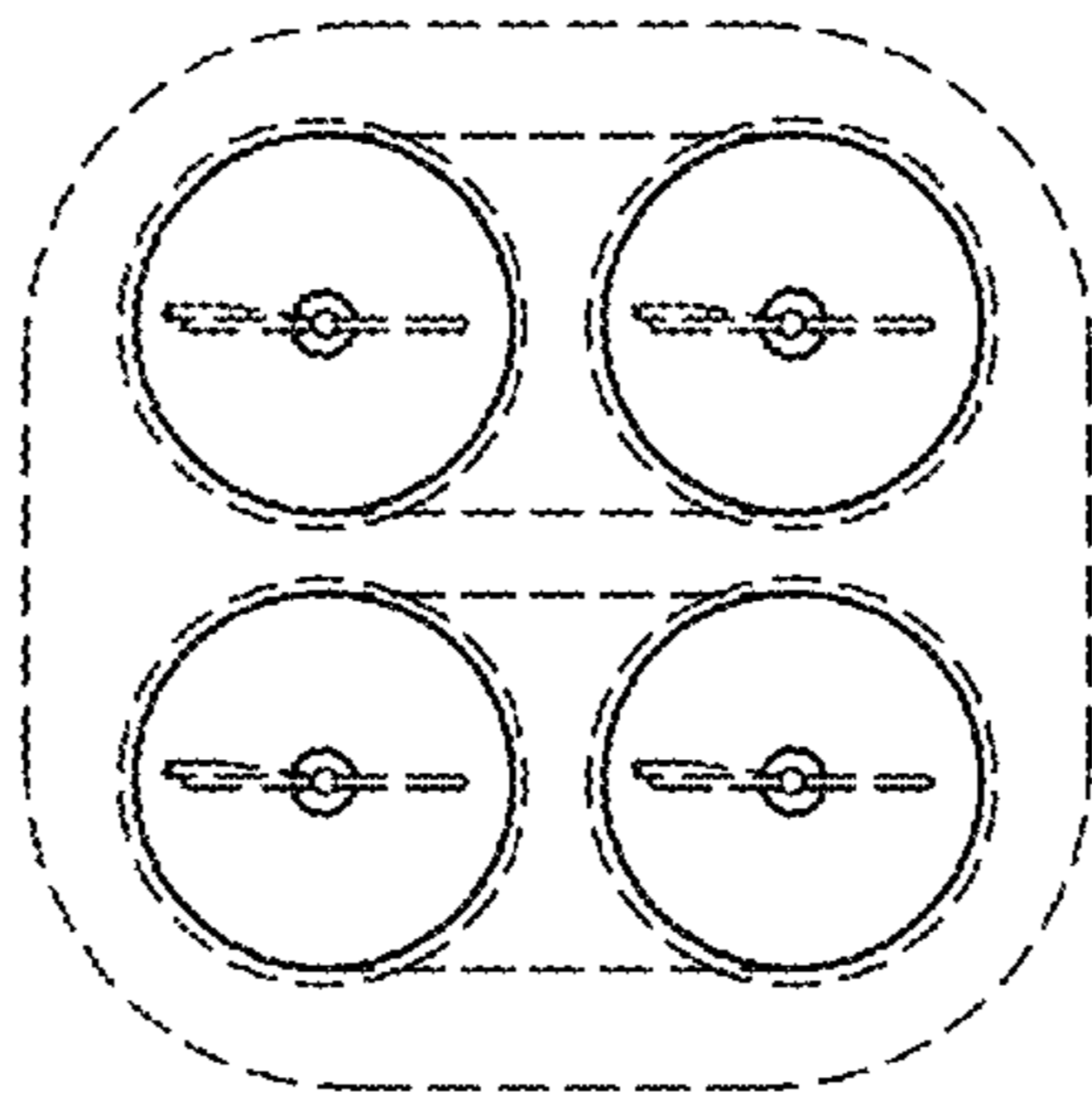


Fig. 12