



US00D780956S

(12) **United States Design Patent**
Kwong

(10) **Patent No.:** **US D780,956 S**

(45) **Date of Patent:** **** Mar. 7, 2017**

(54) **LED LIGHT BULB**

(71) Applicant: **NOBLE CORPORATION**, Zhong Shan (CN)

(72) Inventor: **Hing Chuen Allan Kwong**, Zhong Shan (CN)

(73) Assignee: **Noble Corporation**, Zhong Shan (CN)

(**) Term: **15 Years**

(21) Appl. No.: **29/505,647**

(22) Filed: **Dec. 23, 2015**

(30) **Foreign Application Priority Data**

Jun. 26, 2015 (CN) 2015 3 0217879

(51) **LOC (10) Cl.** **26-04**

(52) **U.S. Cl.**
USPC **D26/2**

(58) **Field of Classification Search**
USPC D26/1-4; 313/313, 315, 316, 317, 318,
313/493; 315/52, 53, 56, 57, 58
CPC F21V 29/83; F21V 5/00; F21K 9/00;
H01J 5/00; H01J 5/16; H01J 15/00; H01J
5/48; H01J 5/50; H01J 19/54

See application file for complete search history.

(56) **References Cited**

U.S. PATENT DOCUMENTS

D553,266 S *	10/2007	Maxik	D26/2
D566,300 S *	4/2008	Lo	D26/2
D584,838 S *	1/2009	To	D26/2
D646,802 S *	10/2011	Guohui	D26/2
D695,426 S *	12/2013	Tu	D26/2

* cited by examiner

Primary Examiner — Marcus Jackson

(74) *Attorney, Agent, or Firm* — Lewis Roca Rothgerber Christie LLP

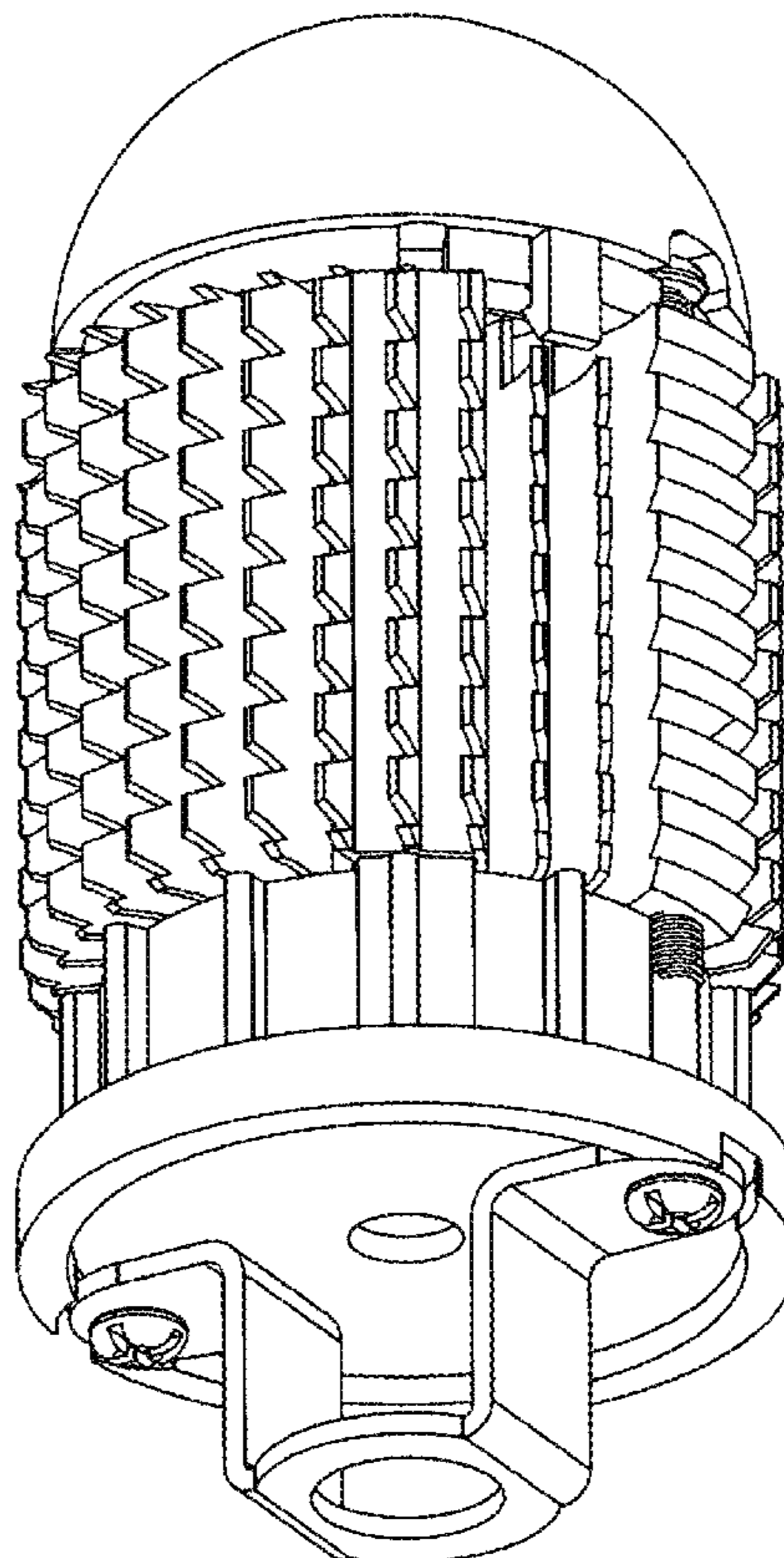
(57) **CLAIM**

The ornamental design of an LED light bulb, as shown and described.

DESCRIPTION

FIG. 1 is a perspective view of an LED light bulb showing our new design;
FIG. 2 is a front view thereof;
FIG. 3 is a side view thereof;
FIG. 4 is a top view thereof; and,
FIG. 5 is a bottom view thereof.

1 Claim, 4 Drawing Sheets



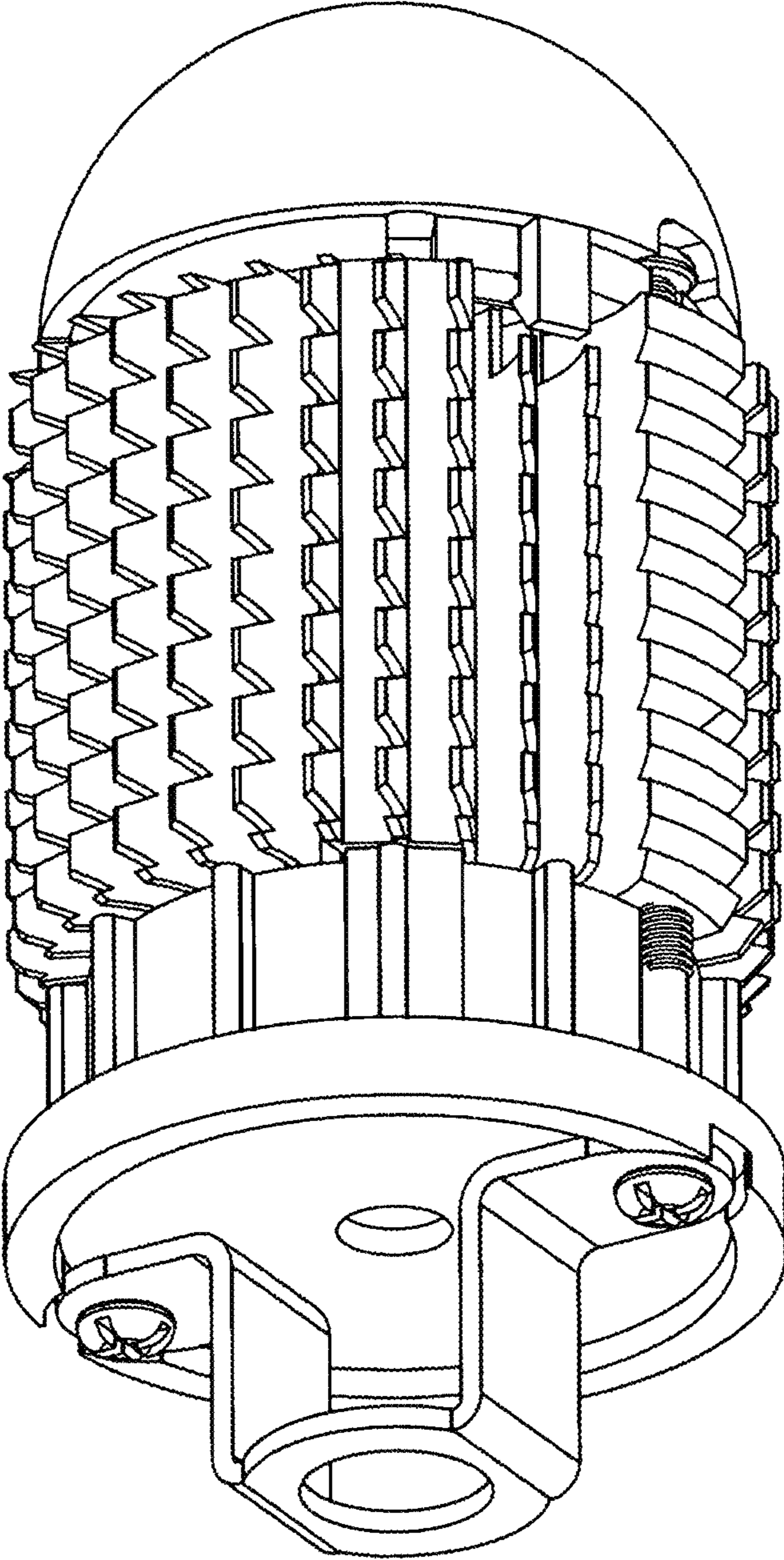


FIG. 1

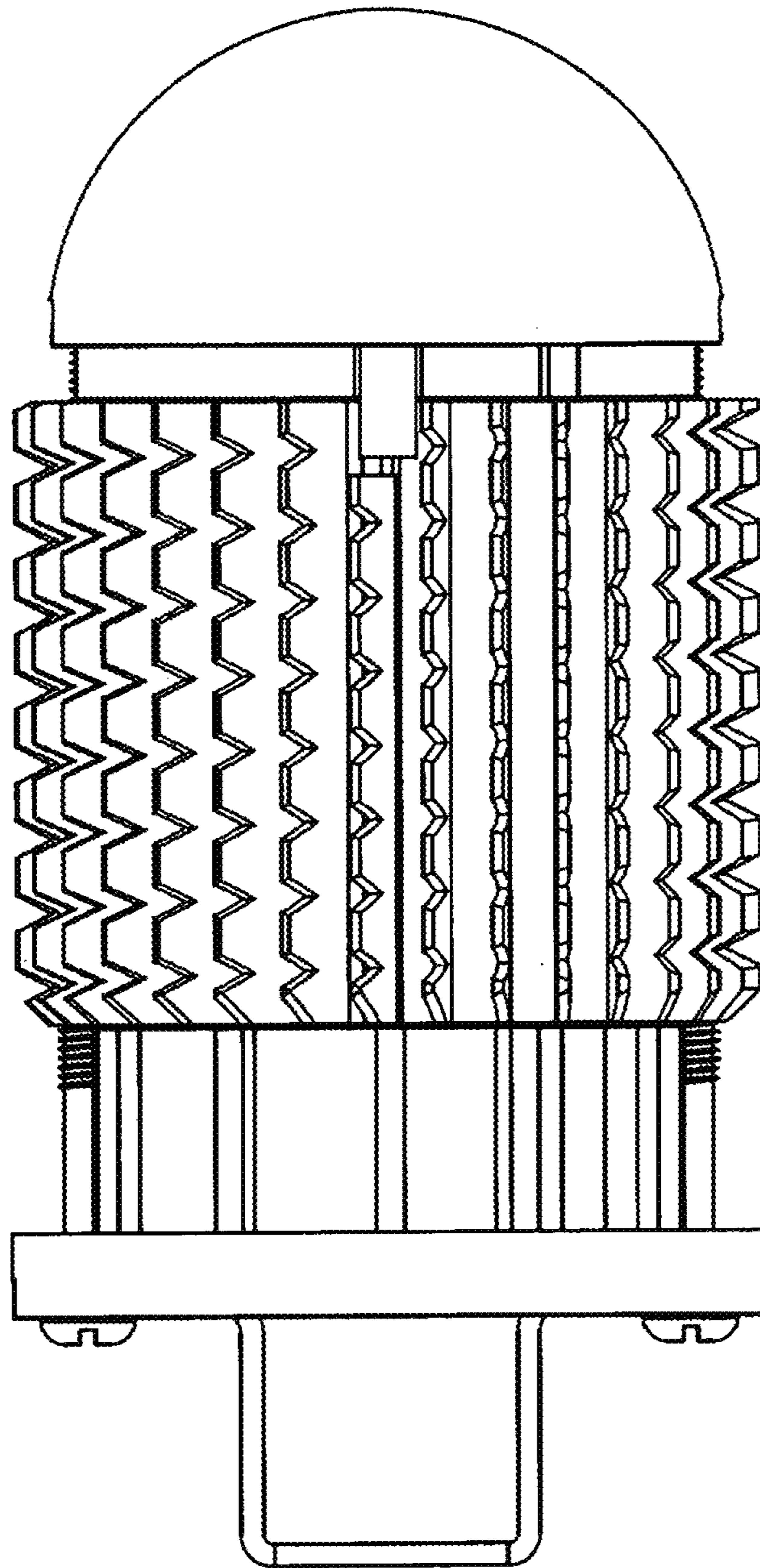


FIG. 2

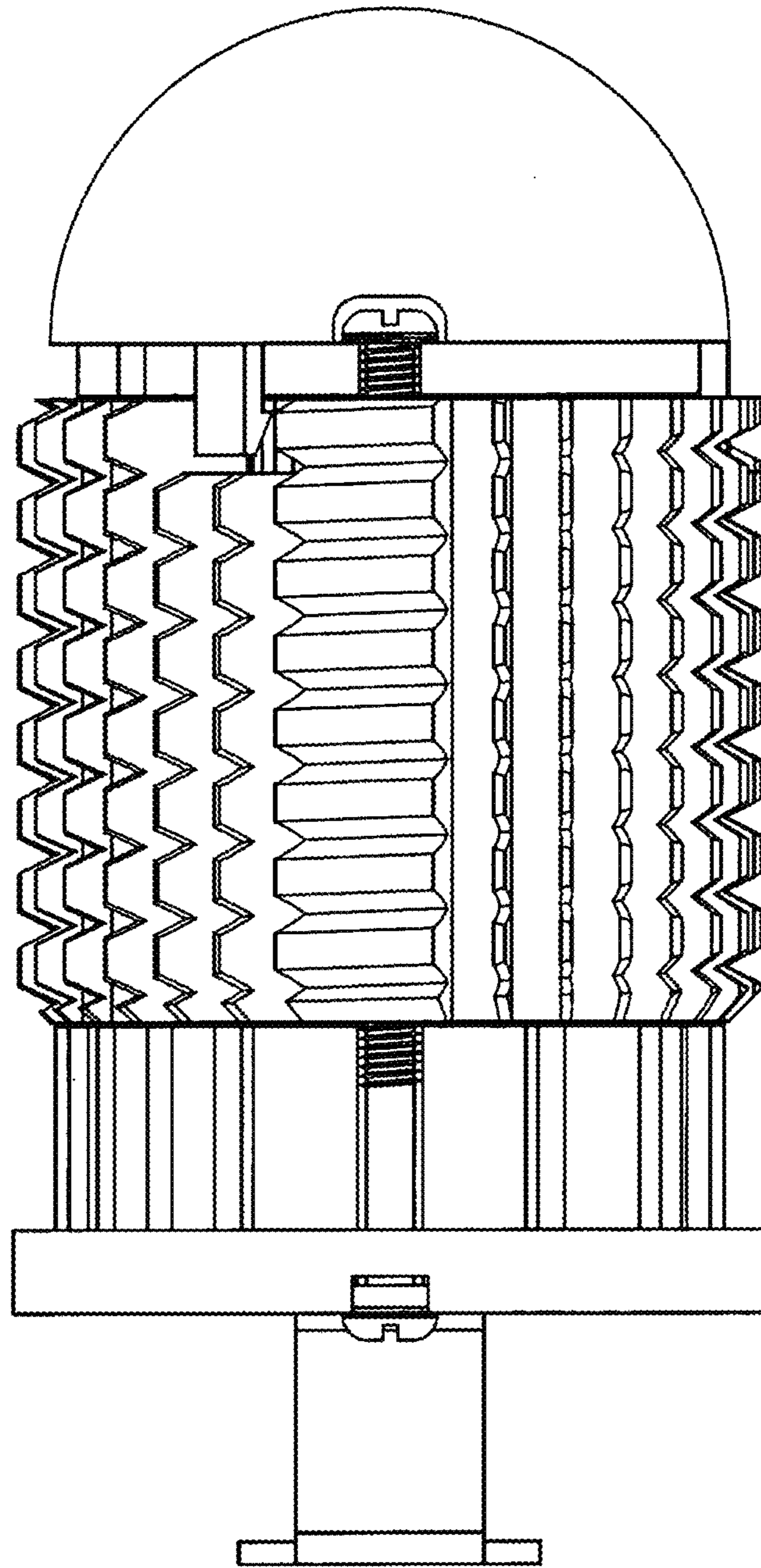


FIG. 3

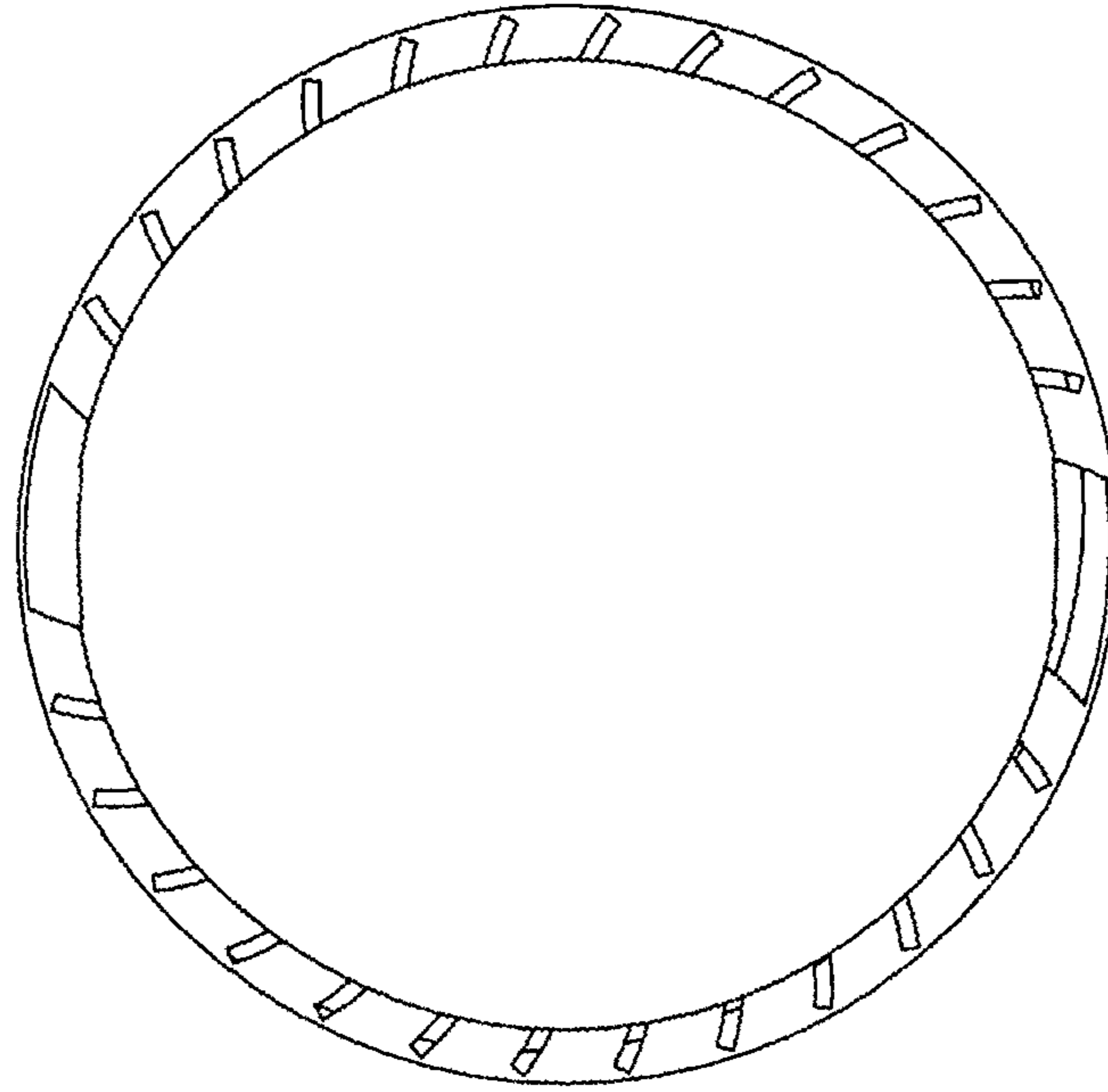


FIG. 4

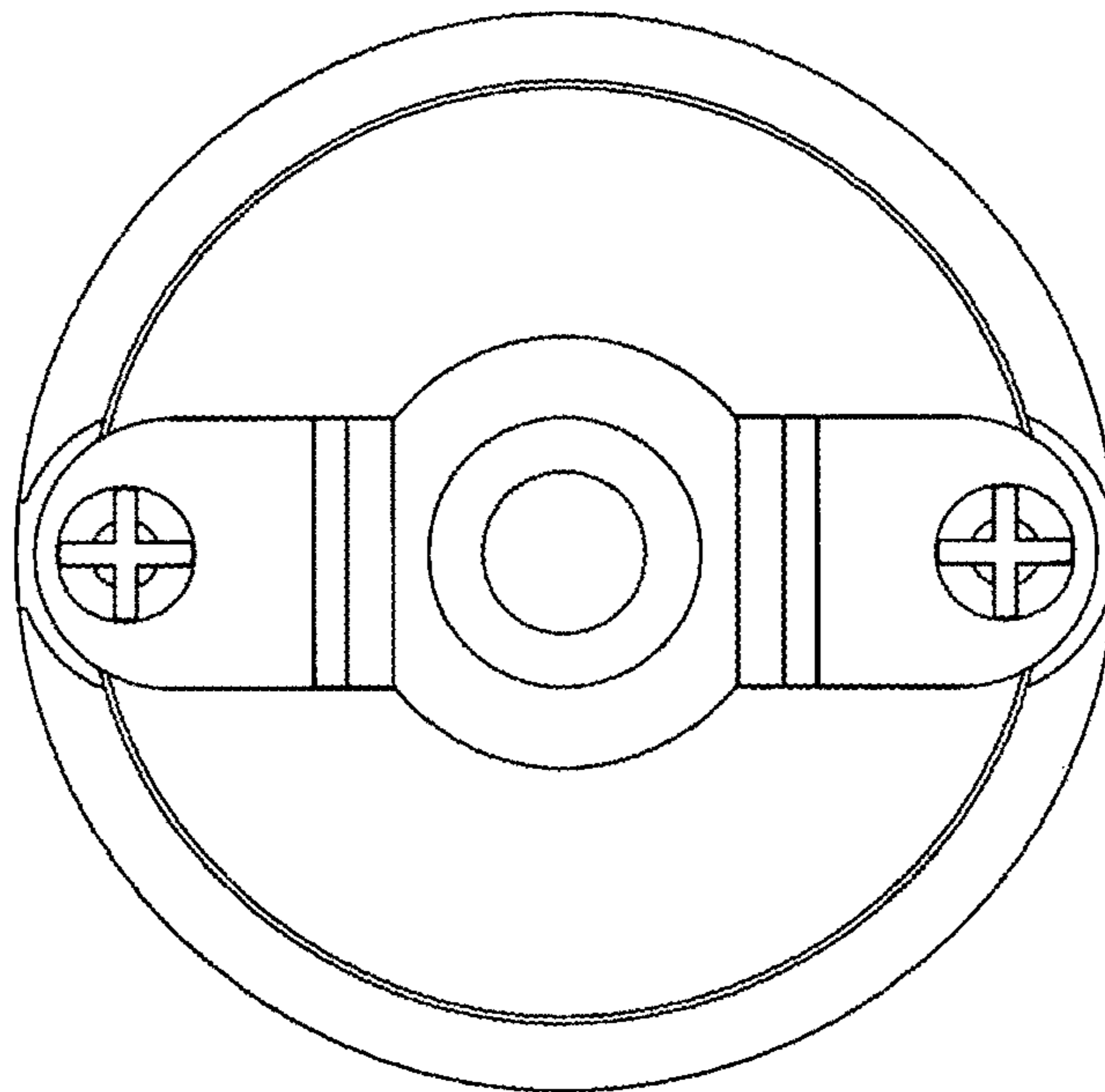


FIG. 5

UNITED STATES PATENT AND TRADEMARK OFFICE
CERTIFICATE OF CORRECTION

PATENT NO. : D780,956 S
APPLICATION NO. : 29/505647
DATED : March 7, 2017
INVENTOR(S) : Hing Chuen Allan Kwong

Page 1 of 1

It is certified that error appears in the above-identified patent and that said Letters Patent is hereby corrected as shown below:

On the Title Page

(73) Assignee: Delete:
"Noble Corporation, Zhong Shan City (CN)"

Insert:
-- **Gardenia Industrial Limited**, Tortola, Virgin Islands, British --

Signed and Sealed this
Ninth Day of May, 2017



Michelle K. Lee
Director of the United States Patent and Trademark Office