



US00D780951S

(12) **United States Design Patent**
Charette

(10) **Patent No.:** **US D780,951 S**

(45) **Date of Patent:** **** Mar. 7, 2017**

- (54) **STABILIZE FOR A SCREWABLE FOUNDATION POST**
- (71) Applicant: **9143-8010 QUÉBEC INC.**, Shawnigan Sud (CA)
- (72) Inventor: **Pierre Charette**, Notre-Dame-du-Mont-Carmel (CA)
- (**) Term: **15 Years**
- (21) Appl. No.: **29/544,687**
- (22) Filed: **Nov. 5, 2015**
- (51) **LOC (10) Cl.** **25-01**
- (52) **U.S. Cl.**
USPC **D25/133**
- (58) **Field of Classification Search**
USPC D25/102, 110, 119, 124, 125, 126, 133, D25/141; 52/11, 13, 204.2, 211, 212, 52/288.1, 653.1, 663, 718.01; 174/68.1-68.3
See application file for complete search history.

9,127,454 B2 * 9/2015 Pilz E04B 1/948
 2004/0007150 A1 * 1/2004 Gleave E04G 21/3261
 104/106
 2005/0193639 A1 * 9/2005 Knudson E04D 13/076
 52/12

* cited by examiner

Primary Examiner — Garth Rademaker
Assistant Examiner — Samantha Q Lawrence
 (74) *Attorney, Agent, or Firm* — Welsh Flaxman & Gitler LLC

(57) **CLAIM**

The ornamental design for a stabilizer for a screwable foundation post, as shown and described.

DESCRIPTION

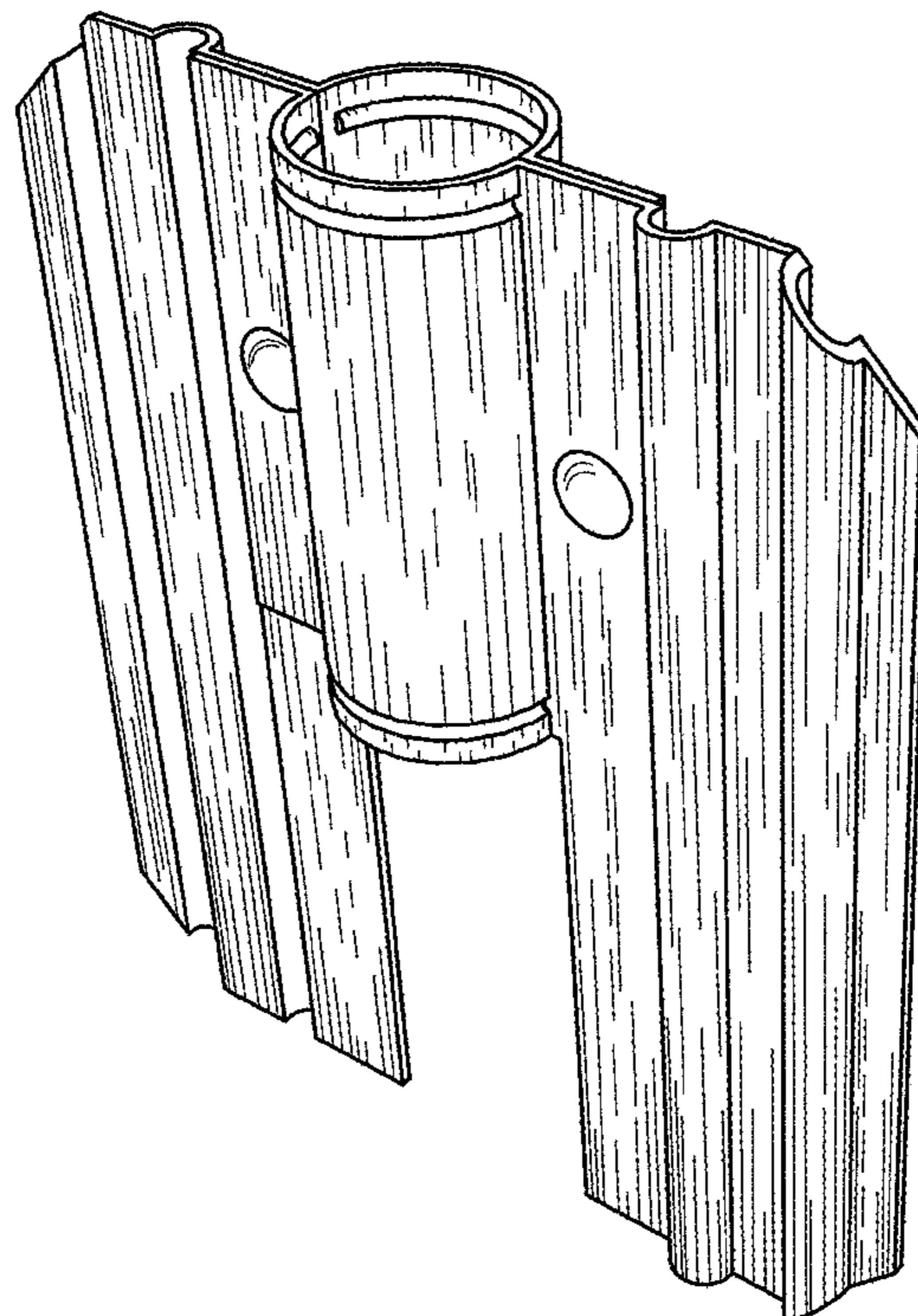
FIG. 1 is a front view of a stabilizer for a screwable foundation post;
 FIG. 2 is a rear view of the stabilizer for a screwable foundation post;
 FIG. 3 is a right side view of the stabilizer for a screwable foundation post;
 FIG. 4 is a left side view of the stabilizer for a screwable foundation post;
 FIG. 5 is a top view of the stabilizer for a screwable foundation post;
 FIG. 6 is a bottom view of the stabilizer for a screwable foundation post; and,
 FIG. 7 is a top angled perspective view of the stabilizer for a screwable foundation post.

1 Claim, 7 Drawing Sheets

(56) **References Cited**

U.S. PATENT DOCUMENTS

D418,926 S *	1/2000	Owens	D25/138
D423,121 S *	4/2000	Siudzinski	D25/125
D564,105 S *	3/2008	Amato	D25/125
D698,947 S *	2/2014	Griffiths	D25/125
D718,883 S *	12/2014	Thrush	D25/124
D734,501 S *	7/2015	Bodwell	D25/119
D738,536 S *	9/2015	Lillejord	D25/138



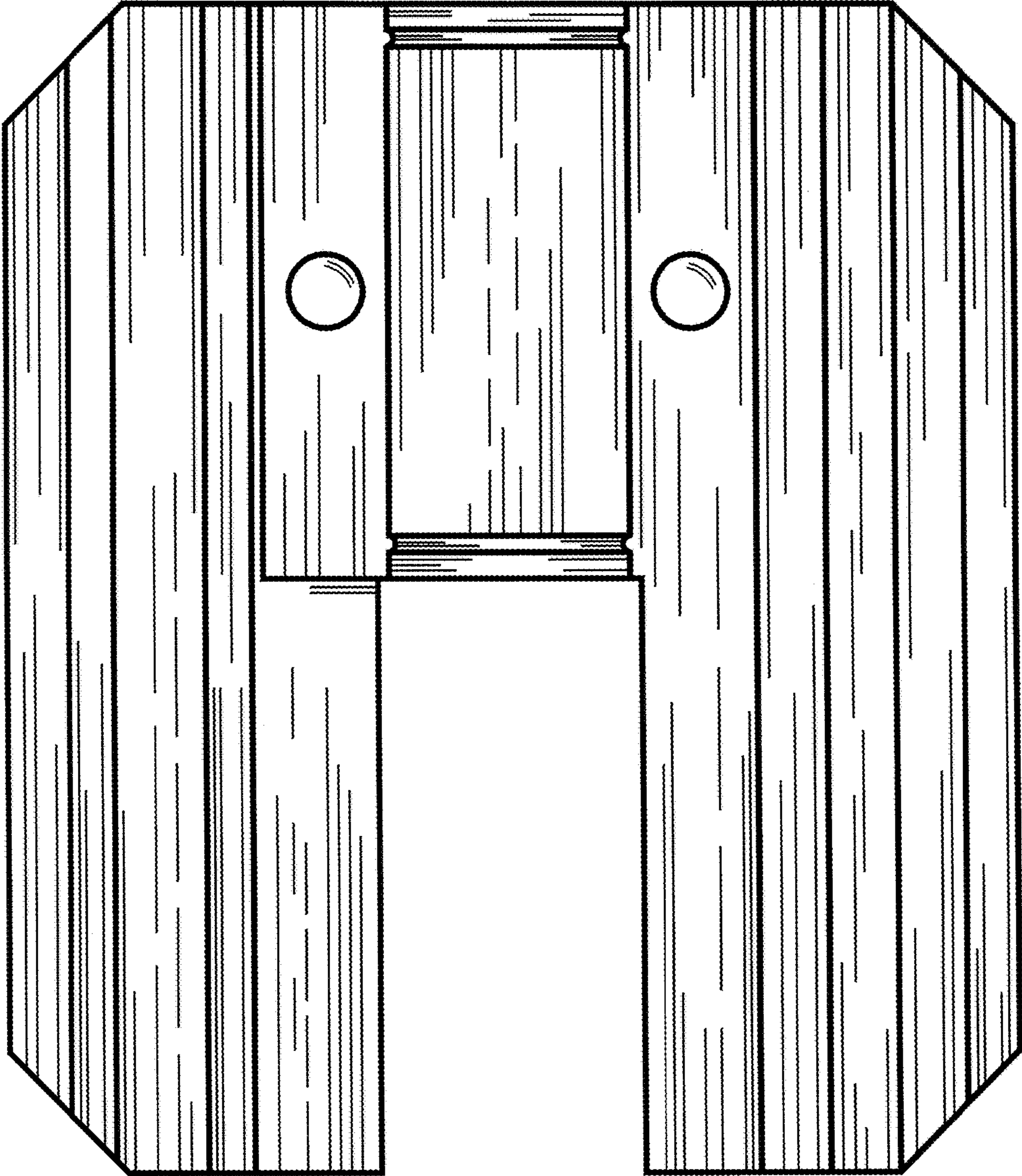


FIGURE 1

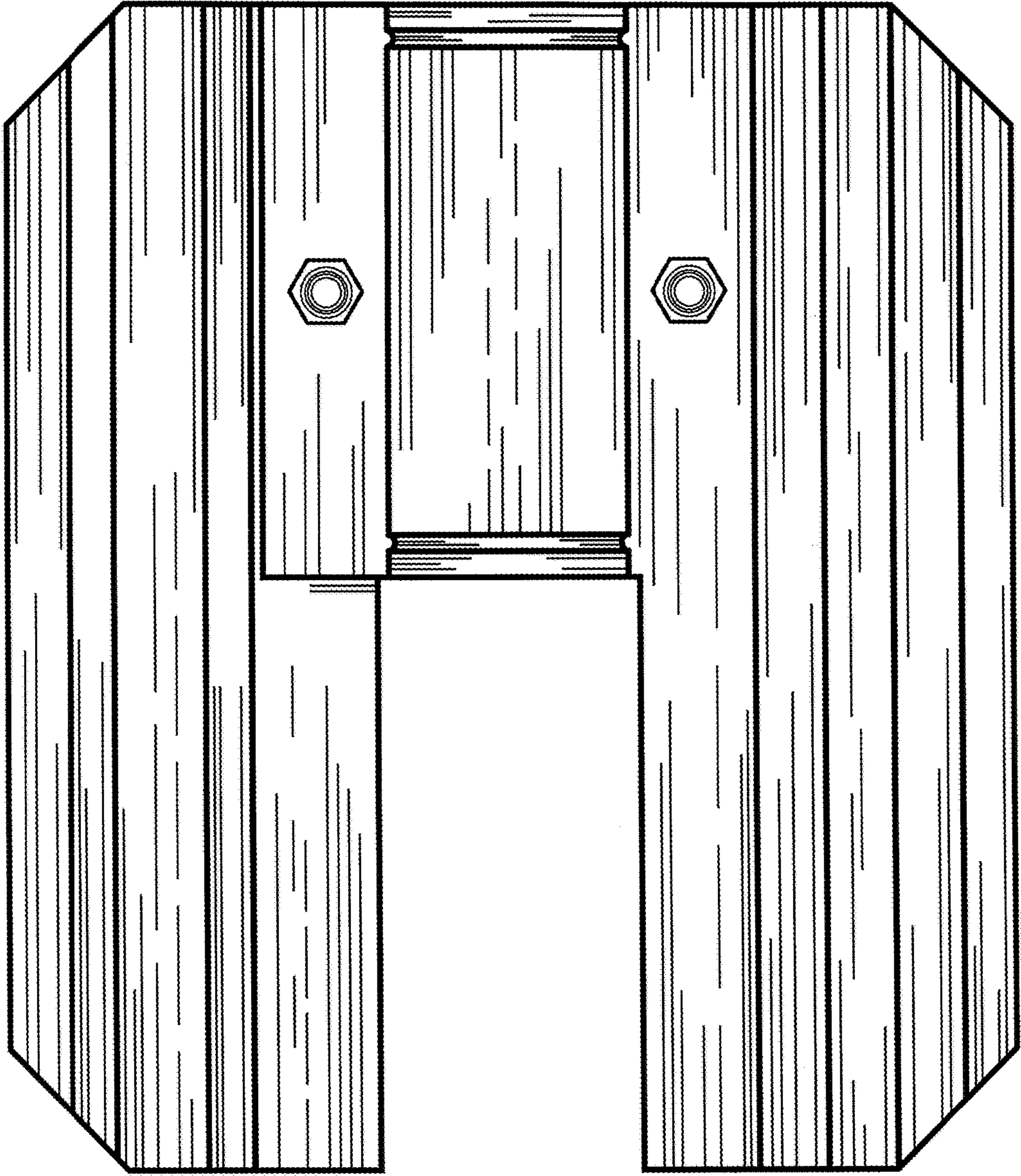


FIGURE 2

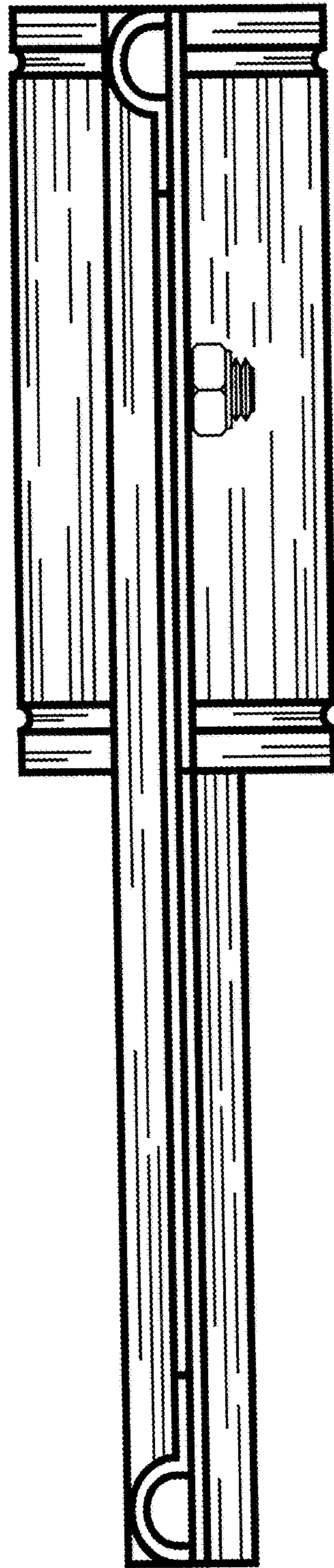


FIGURE 3

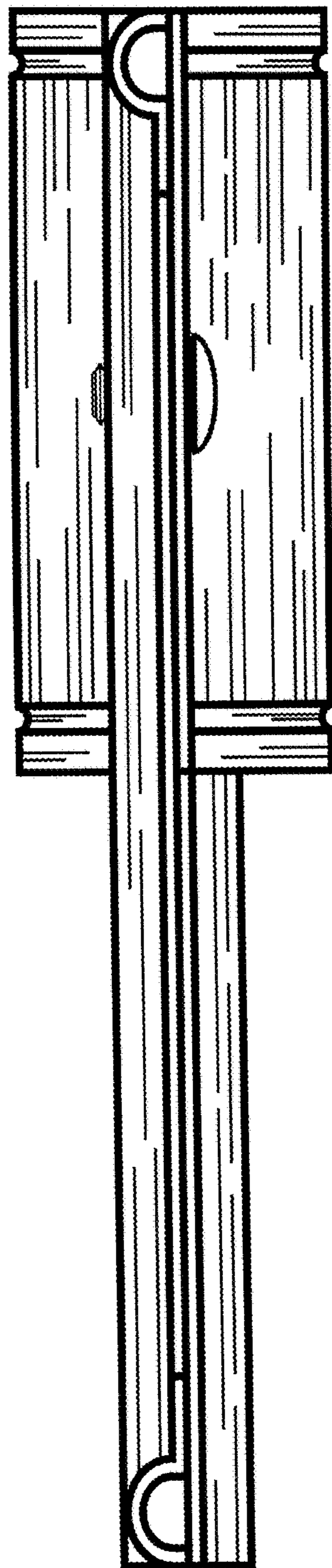


FIGURE 4

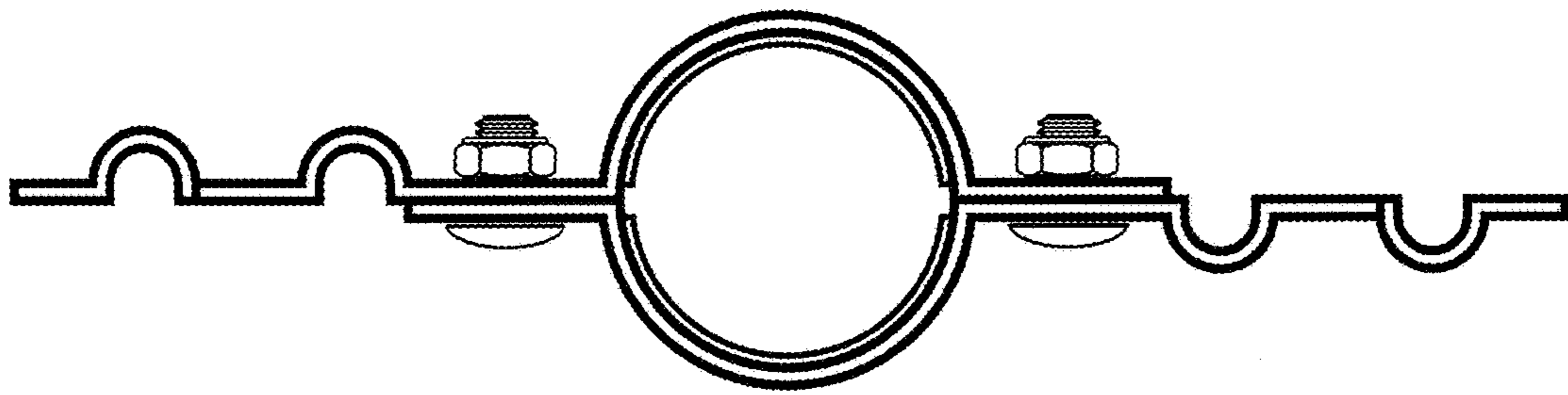


FIGURE 5

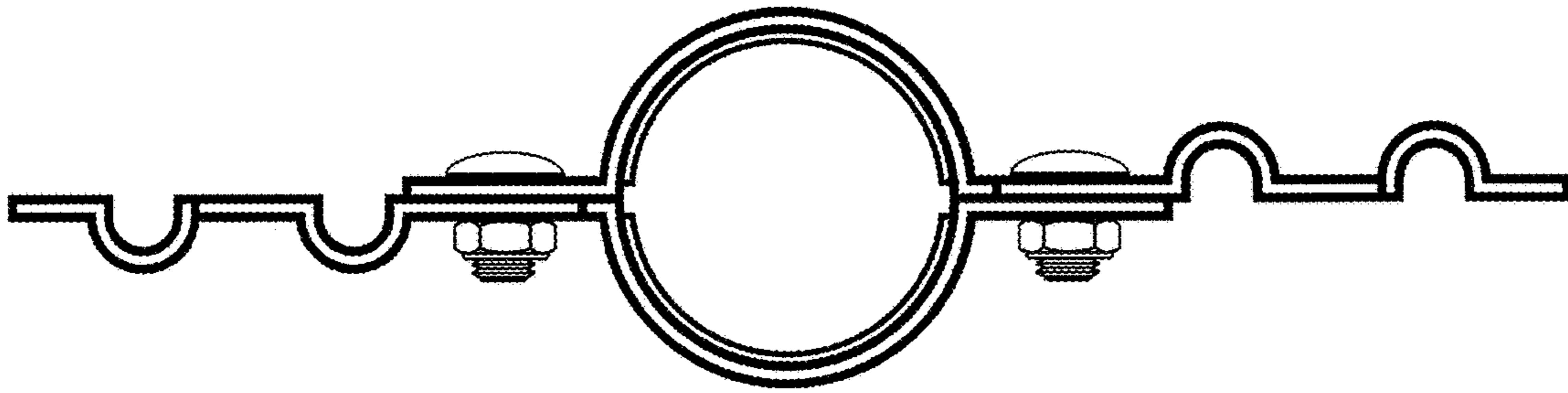


FIGURE 6

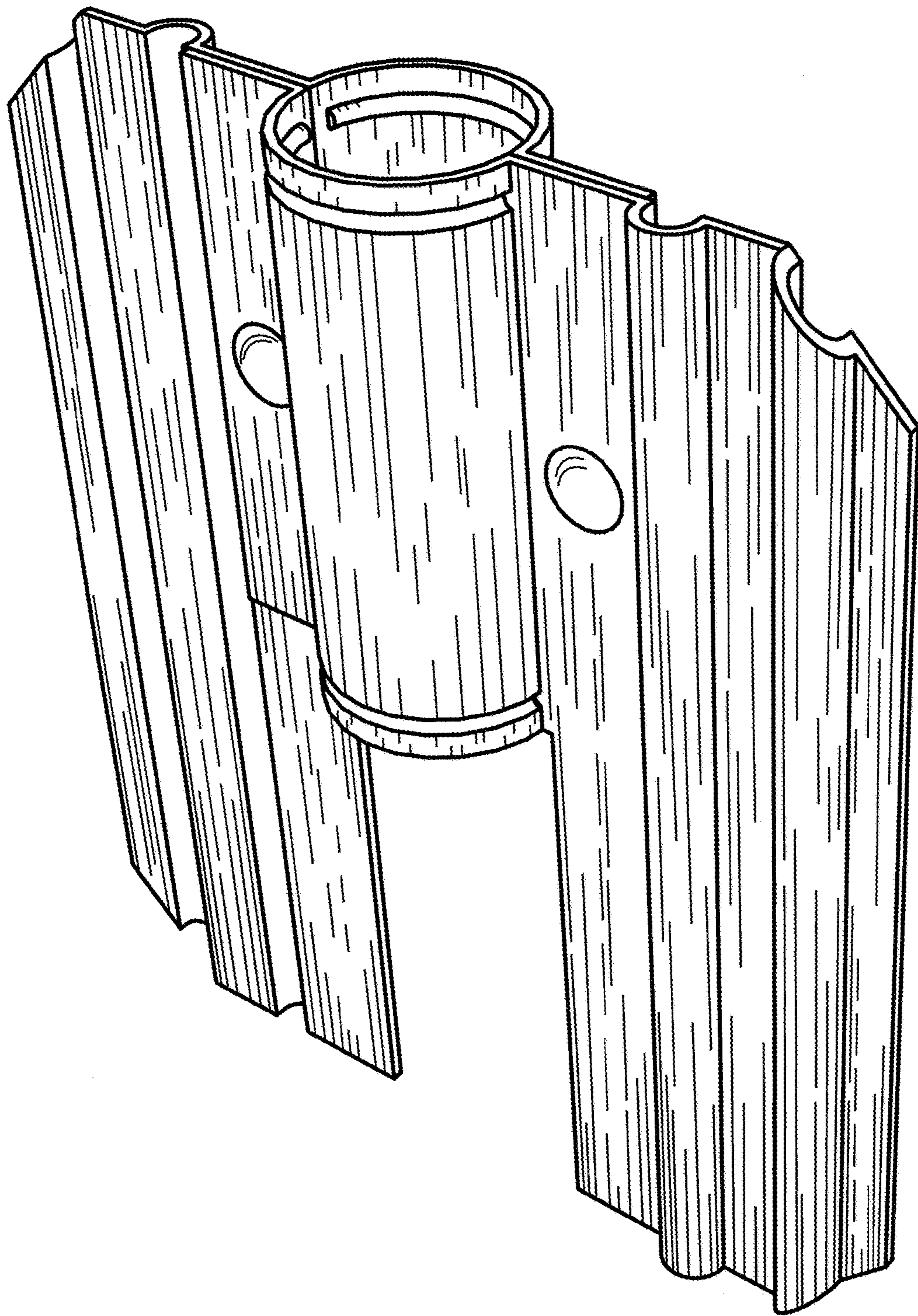


FIGURE 7