



US00D780948S

(12) **United States Design Patent**
Marshall

(10) **Patent No.:** **US D780,948 S**
(45) **Date of Patent:** **** Mar. 7, 2017**

(54) **WINDOW COMPONENT EXTRUSION**

D716,968 S 11/2014 Stankay
D729,947 S 5/2015 Stankay
D729,948 S 5/2015 Stankay

(71) Applicant: **Chelsea Building Products, Inc.**,
Oakmont, PA (US)

* cited by examiner

(72) Inventor: **Philip Marshall**, Pittsburgh, PA (US)

Primary Examiner — Daniel Bui

(73) Assignee: **Chelsea Building Products, Inc.**,
Oakmont, PA (US)

Assistant Examiner — Gino Colan

(74) *Attorney, Agent, or Firm* — Drinker Biddle & Reath
LLP

(**) Term: **15 Years**

(57) **CLAIM**

(21) Appl. No.: **29/544,393**

The ornamental design for a window component extrusion,
as shown and described.

(22) Filed: **Nov. 3, 2015**

(51) **LOC (10) Cl.** **25-01**

(52) **U.S. Cl.**

USPC **D25/124**

(58) **Field of Classification Search**

USPC D25/119–125, 60; D20/42, 43, 44
CPC E06B 1/36; E06B 2003/26321; E06B
3/26345; E06B 1/366; E06B 1/04; E06B
1/28

See application file for complete search history.

DESCRIPTION

FIG. 1 is a perspective view of a window component
extrusion according to the present invention.

FIG. 2 is a right side view of the window component
extrusion of FIG. 1.

FIG. 3 is a left side view of the window component
extrusion of FIG. 1.

FIG. 4 is a front view of the window component
extrusion of FIG. 1.

FIG. 5 is a rear view of the window component
extrusion of FIG. 1.

FIG. 6 is a top view of the window component
extrusion of FIG. 1; and,

FIG. 7 is a bottom view of the window component
extrusion of FIG. 1.

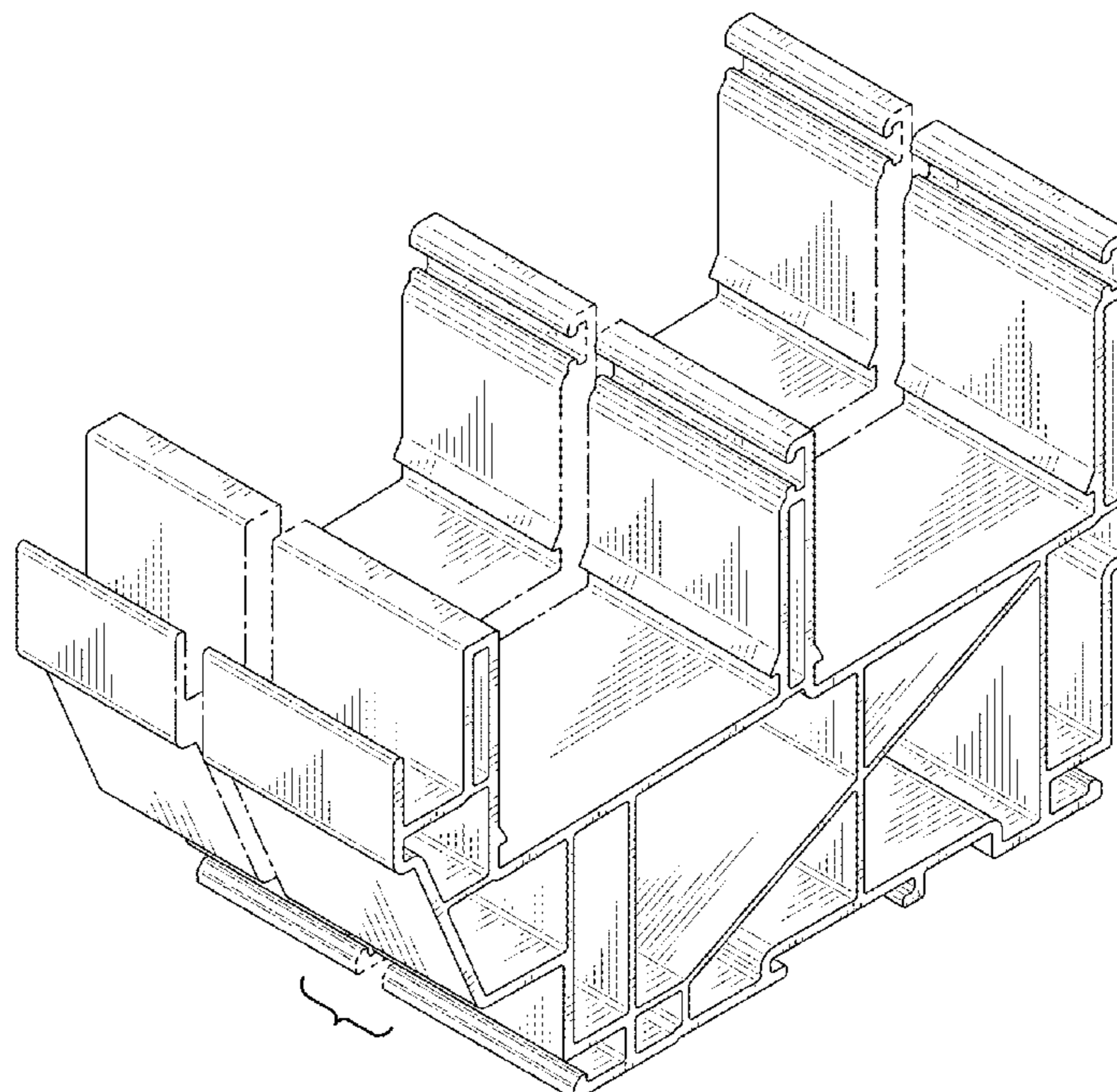
The window component extrusion is shown with two
parallel dash-dot lines and a bracket to represent
indeterminate length. The appearance of any
portion of the article between the break lines
forms no part of the claimed design.

(56) **References Cited**

U.S. PATENT DOCUMENTS

D457,659 S	*	5/2002	Marshall	D25/124
D461,013 S		7/2002	Marshall		
D461,014 S		7/2002	Marshall		
D693,025 S	*	11/2013	Fannan	D25/124
D713,555 S		9/2014	Stankay et al.		
D713,556 S		9/2014	Stankay		
D713,557 S		9/2014	Stankay		
D713,558 S		9/2014	Stankay et al.		
D713,977 S	*	9/2014	Jenkins	D25/124
D714,468 S	*	9/2014	Fannan	D25/124

1 Claim, 4 Drawing Sheets



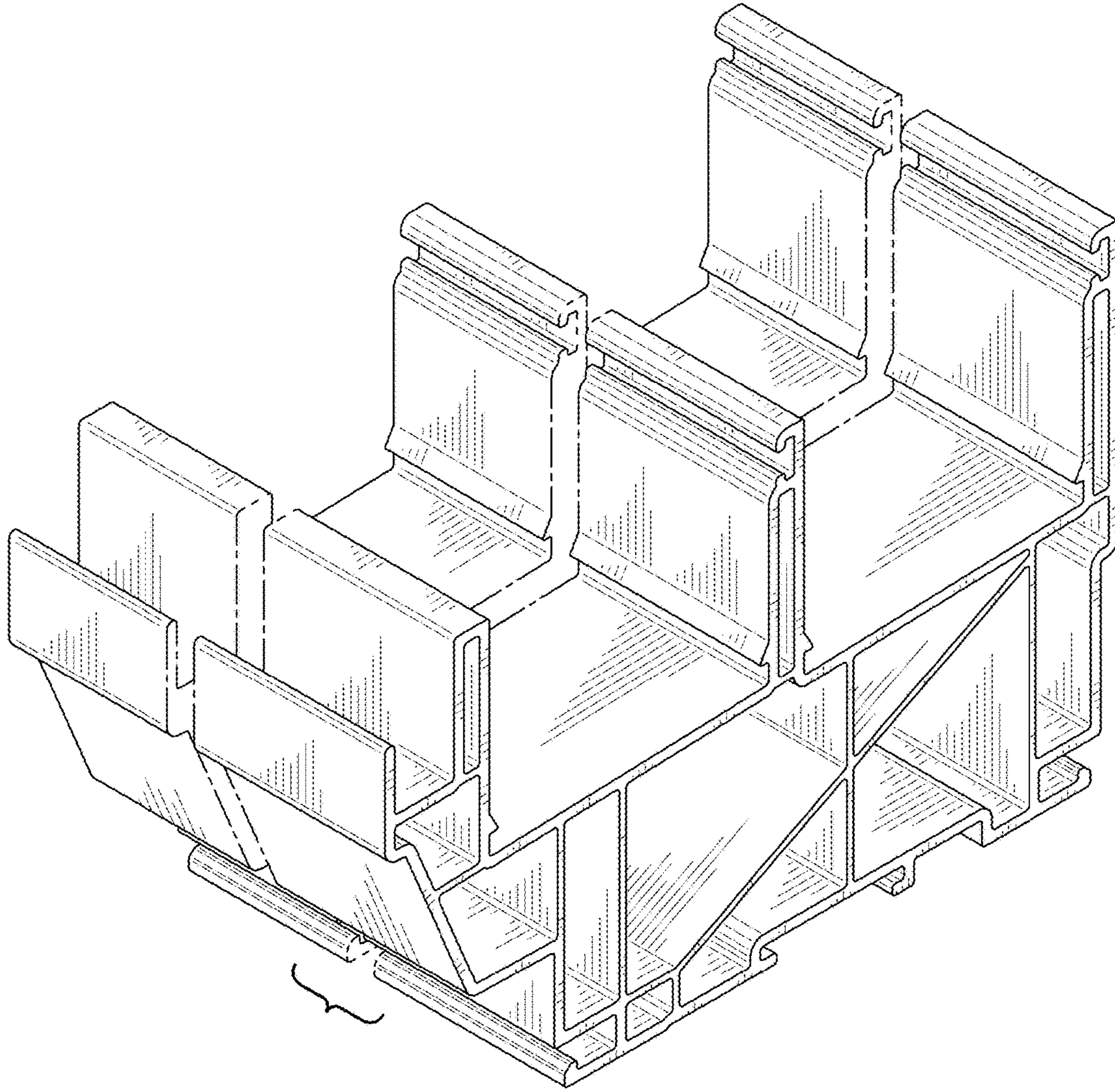


FIG.1

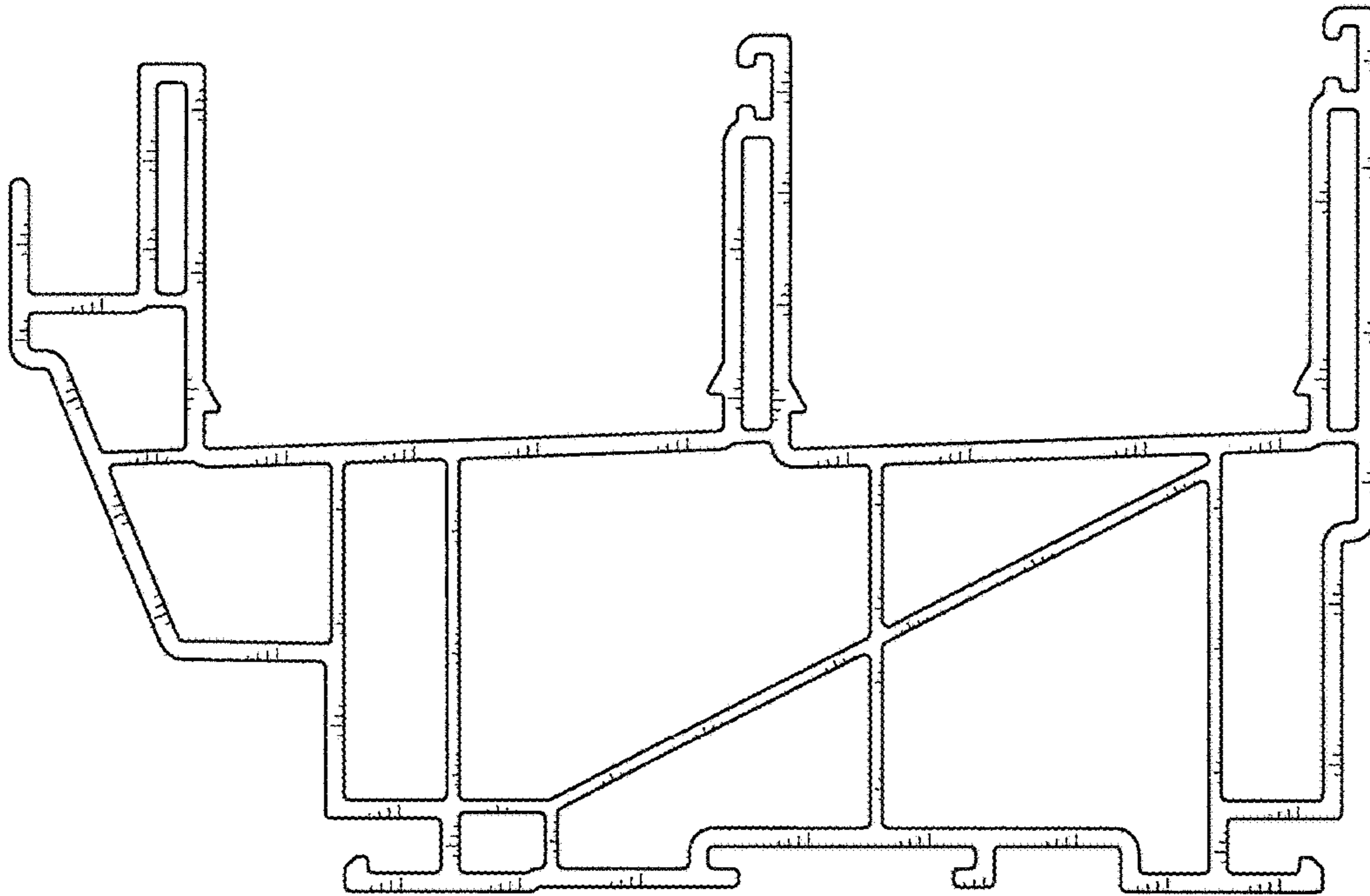


FIG. 2

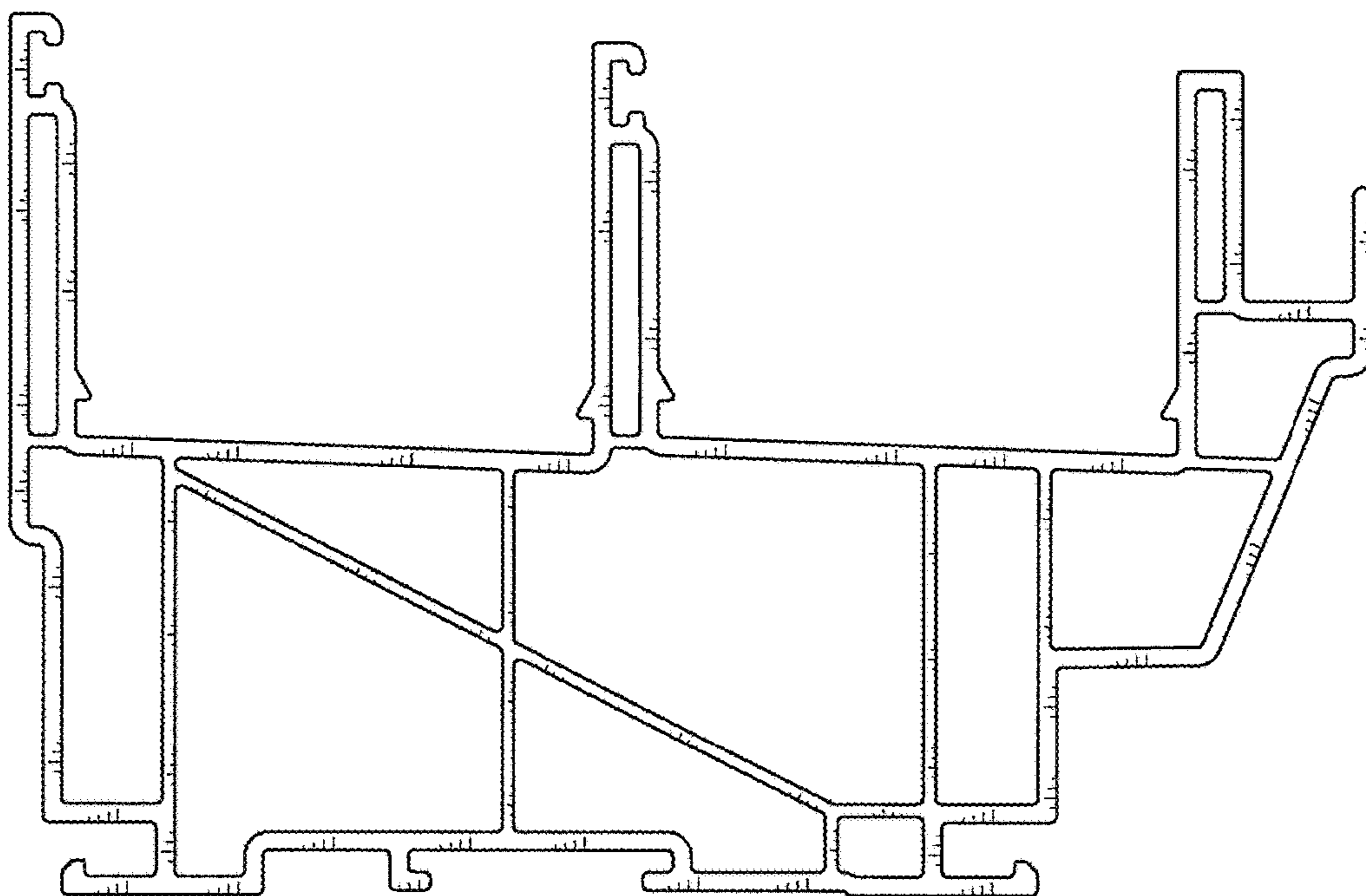


FIG. 3

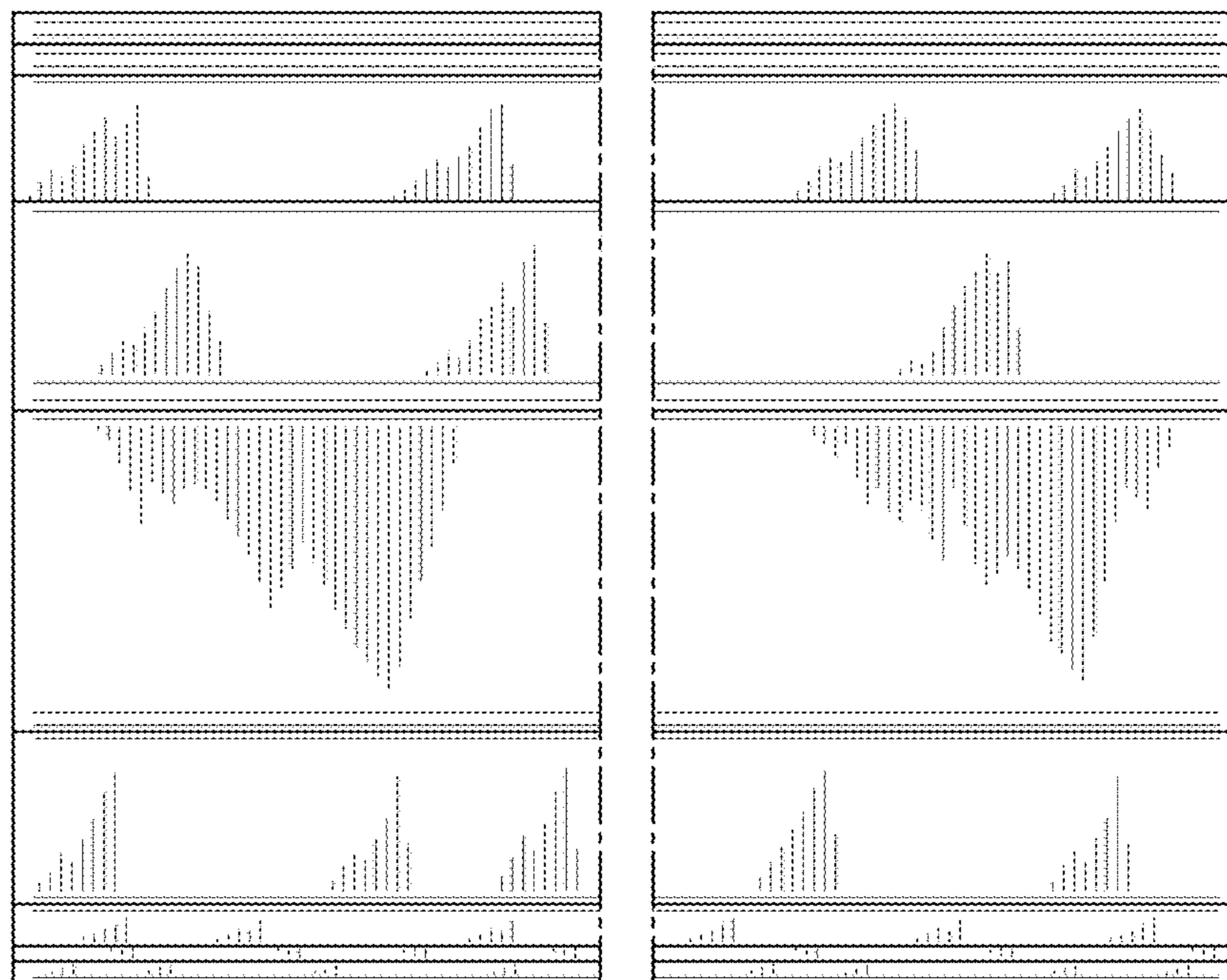


FIG. 4

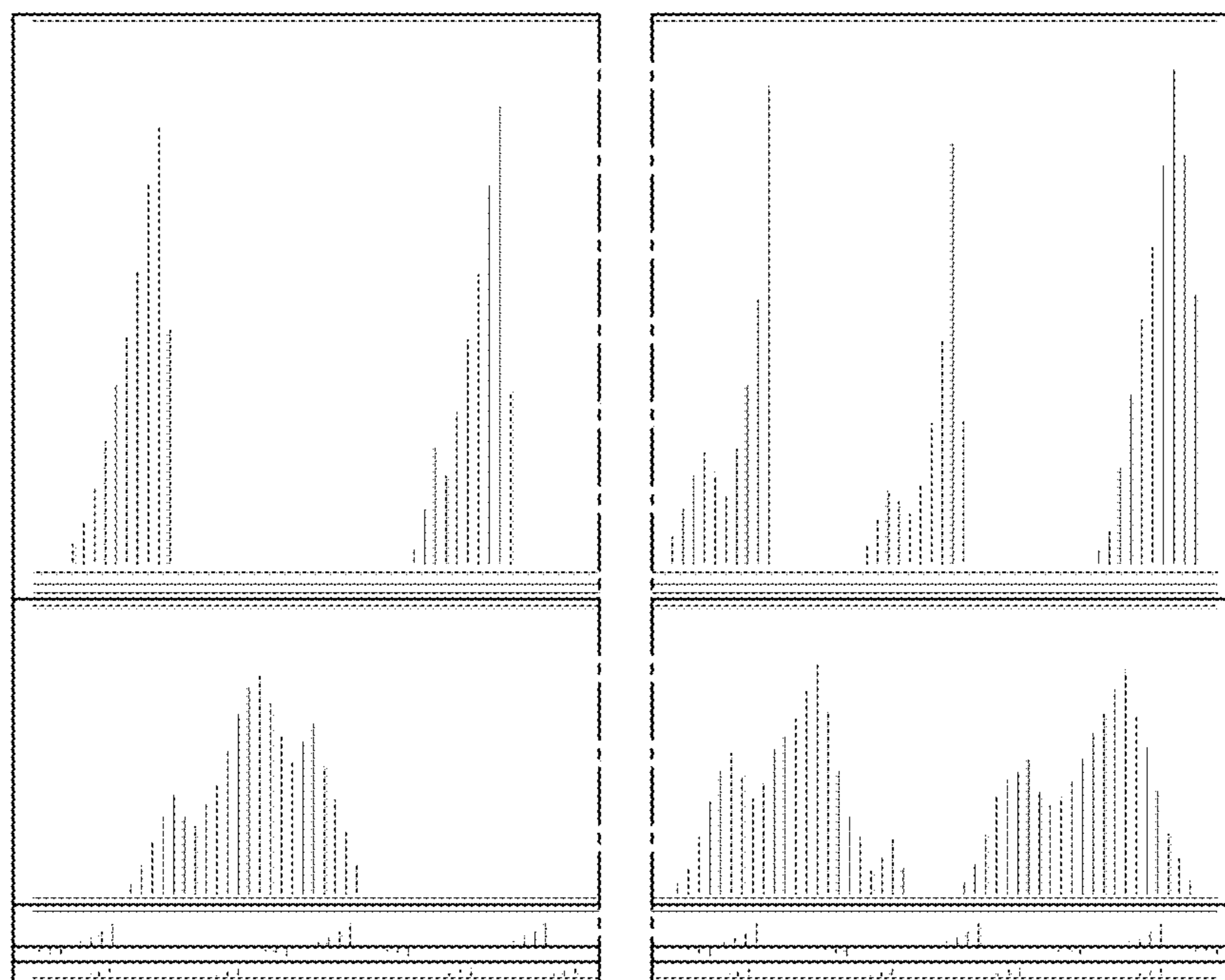


FIG. 5

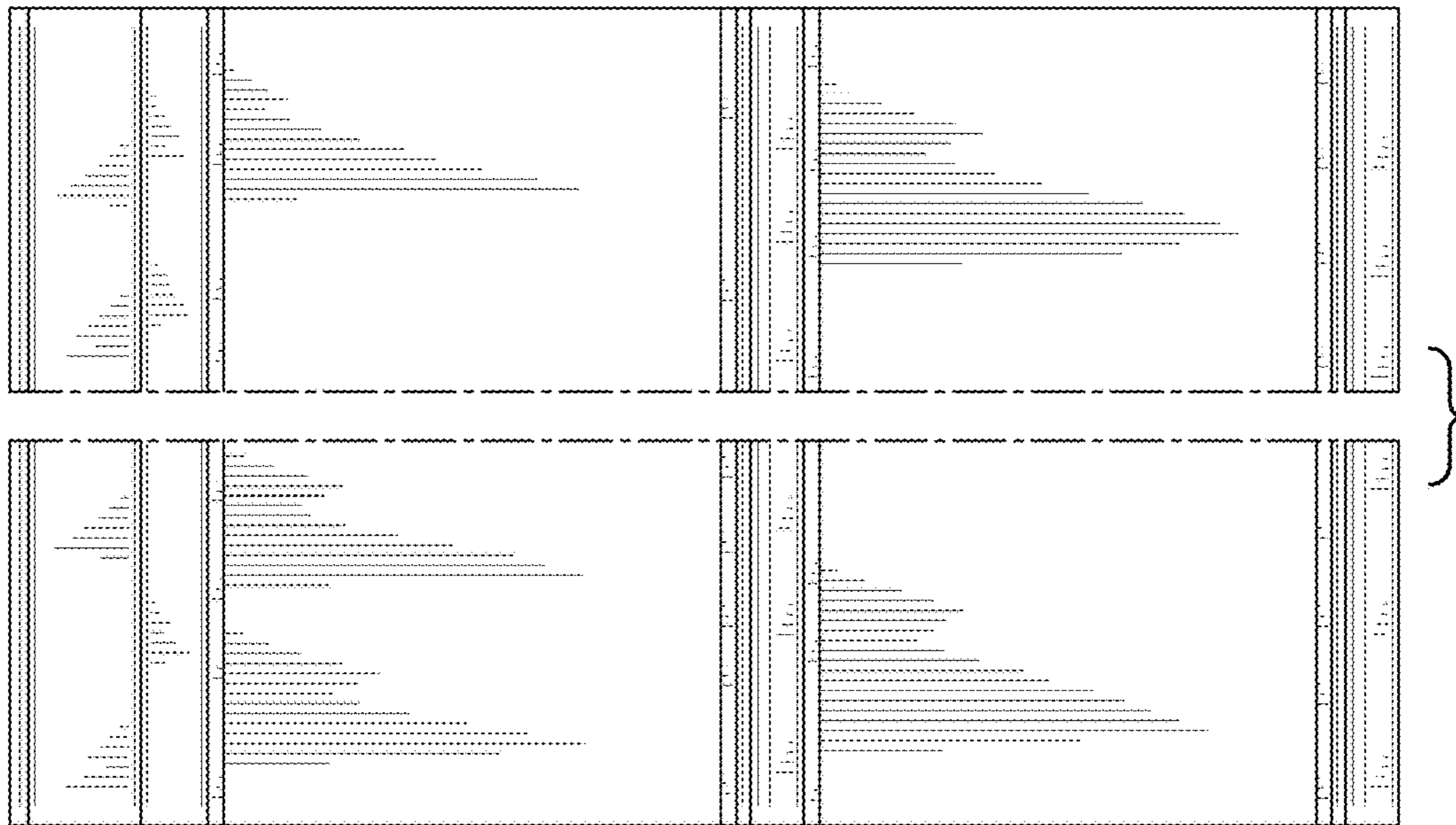


FIG. 6

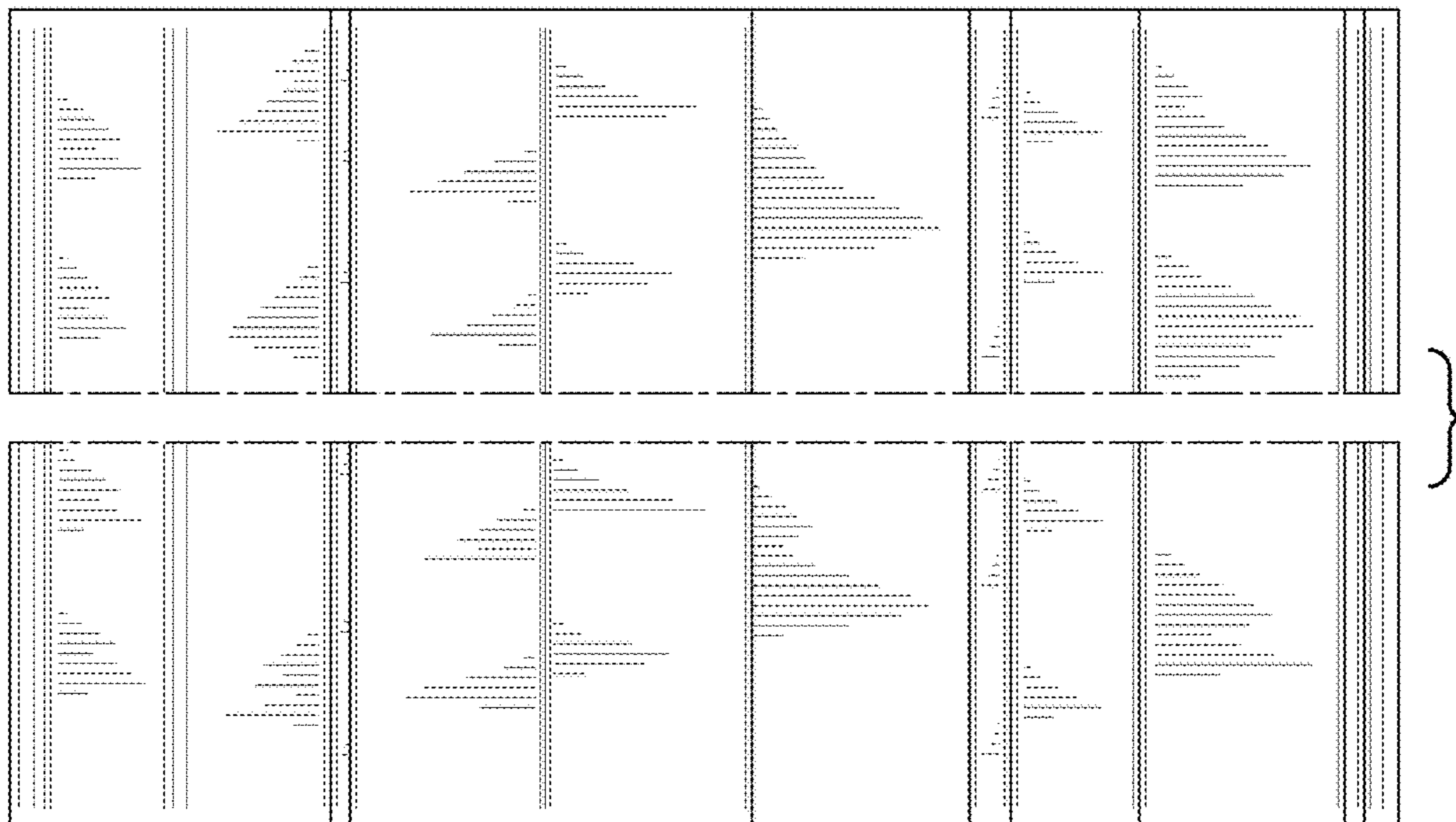


FIG. 7