



US00D780938S

(12) **United States Design Patent** (10) **Patent No.:** **US D780,938 S**
McGrath et al. (45) **Date of Patent:** **** Mar. 7, 2017**

(54) **FACING WALLS FOR STORE WITHIN STORE**

D488,332 S * 4/2004 Muenzberg D6/702
D488,649 S * 4/2004 Muenzberg D6/699.2
D488,650 S * 4/2004 Muenzberg D6/702

(Continued)

(71) Applicant: **Google Inc.**, Mountain View, CA (US)

FOREIGN PATENT DOCUMENTS

(72) Inventors: **Lachlan McGrath**, Cupertino, CA (US); **Joshua Hanson**, Stillwater, MN (US); **Adam Jan Tolsma**, St. Paul, MN (US)

FR 080178-001 * 5/2008

OTHER PUBLICATIONS

(73) Assignee: **GOOGLE INC.**, Mountain View, CA (US)

<http://www.radiohamburg.de/Nachrichten/Deutschland-und-die-Welt/Internet-Co/2013/September/Erster-Google-Shop-in-Shop-in-Hamburg> Posted Sep. 13, 2013.*

(Continued)

(**) Term: **14 Years**

Primary Examiner — Susan Bennett Hattan

(21) Appl. No.: **29/507,925**

Assistant Examiner — Leanne Was

(22) Filed: **Oct. 31, 2014**

(74) *Attorney, Agent, or Firm* — Leason Ellis LLP

(51) **LOC (10) Cl.** **25-02**

(52) **U.S. Cl.**
USPC **D25/58**

(58) **Field of Classification Search**
USPC D6/329, 335, 336, 657, 662, 672, 698, D6/702, 708; D25/1, 16, 17, 18, 33, 36, D25/55, 56, 58, 59; 52/33, 36.1, 36.2, 52/79.1, 79.4, 79.5, 234; 312/140.1
CPC E04H 3/04; E04H 1/1272; A47F 9/00; A47F 9/04; A47F 10/02
See application file for complete search history.

(57) **CLAIM**

The ornamental design for facing walls for store within store, as shown and described.

DESCRIPTION

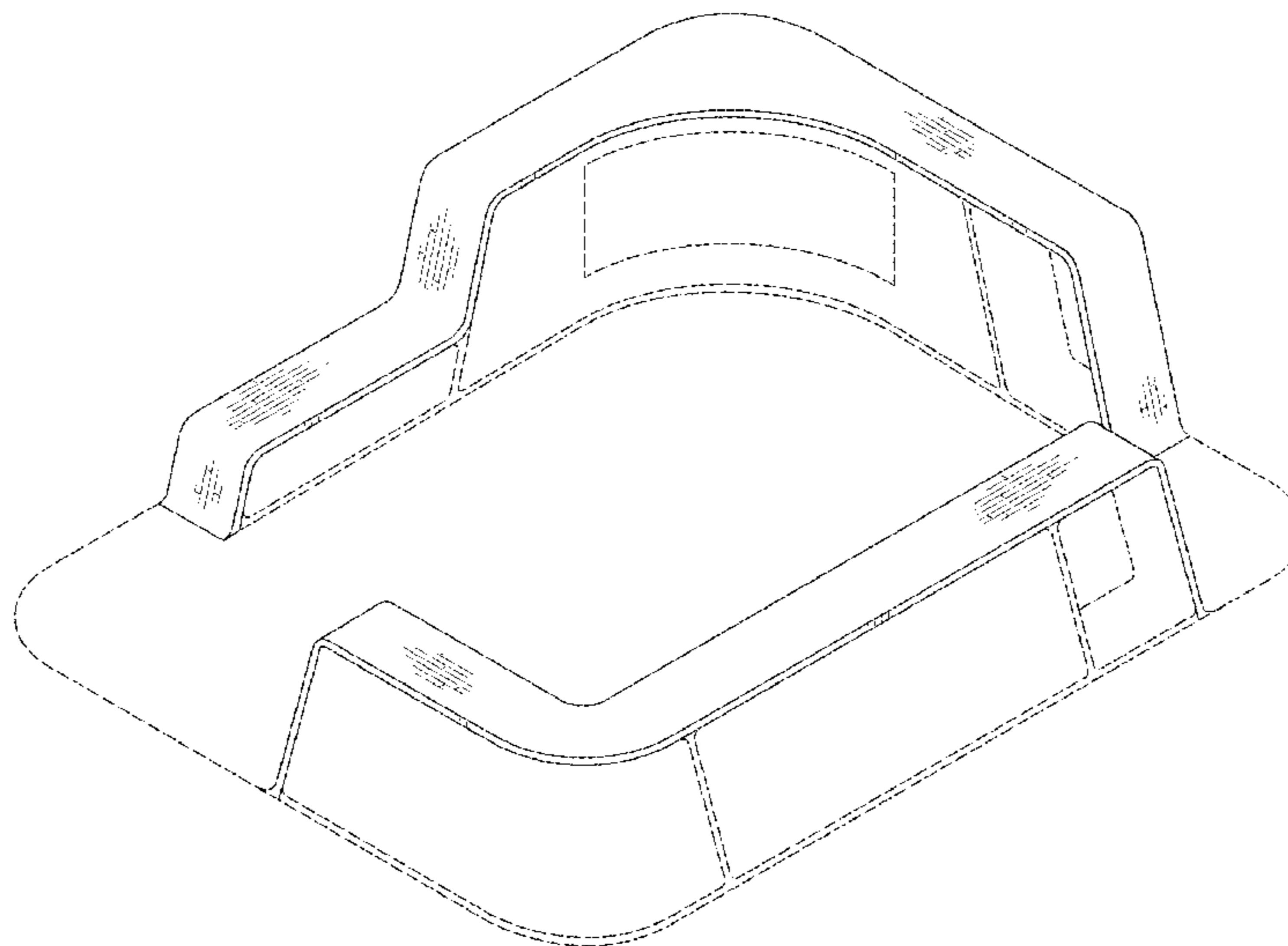
FIG. 1 is a perspective view of facing walls for store within store according to a first embodiment of our new design; FIG. 2 is a perspective view of the design of FIG. 1 shown rotated 180 degrees; FIG. 3 is a top view of the design of FIG. 2; FIG. 4 is a front side view of the design of FIG. 2; FIG. 5 is a rear side view of the design of FIG. 2; FIG. 6 is a left side view of the design of FIG. 2; FIG. 7 is a right side view of the design of FIG. 2; and, FIG. 8 is a perspective view as in FIG. 1, but now showing a second embodiment of our new design which differs from the first embodiment in having contrasting material on a top surface of the facing walls. The dash-dash broken lines illustrate environmental structure and form no part of the claimed design.

(56) **References Cited**

U.S. PATENT DOCUMENTS

2,237,080 A * 4/1941 Muse A47F 9/04
186/66
4,154,027 A * 5/1979 Searcy A47F 10/02
186/52
4,274,233 A 6/1981 Currier
4,288,948 A * 9/1981 Harris E04H 3/04
52/28
D395,521 S * 6/1998 De Leu D25/58

1 Claim, 6 Drawing Sheets



(56)

References Cited

U.S. PATENT DOCUMENTS

D638,551 S * 5/2011 Gann D25/16
D670,929 S * 11/2012 Pinette D6/673
D674,114 S * 1/2013 Van De Ven D25/58
D694,426 S * 11/2013 Eckert D25/35
D694,427 S * 11/2013 Eckert D25/35
D694,428 S * 11/2013 Eckert D25/35
D694,912 S * 12/2013 Eckert D25/35
D733,440 S * 7/2015 McGarth D6/335
D733,441 S * 7/2015 McGrath D6/335
D742,537 S * 11/2015 Graham D25/1
2013/0192153 A1* 8/2013 Kobe E04H 3/02
52/234

OTHER PUBLICATIONS

<http://www.popai.com/industry-news-blog/google-unveils-first-physical-storefront> Posted Mar. 12, 2015.*

<http://phandroid.com/2015/03/11/google-shop-london-retail-store-vr-tour-app/> Posted Mar. 11, 2015.*

Intechnic: Kogan, Danielle, "Chrome Zone—Google's first retail shop opens in London," Business, On the Radar, printed prior to Oct. 31, 2014, 2 pages, intechnic.com/blog, USA.

Patentably Apple: Purcher, Jack, "The Apple Store's Distinctive Design & Layout is now a Registered Trademark," Jan. 24, 2013, 5 pages, patentlyapple.com, USA.

* cited by examiner

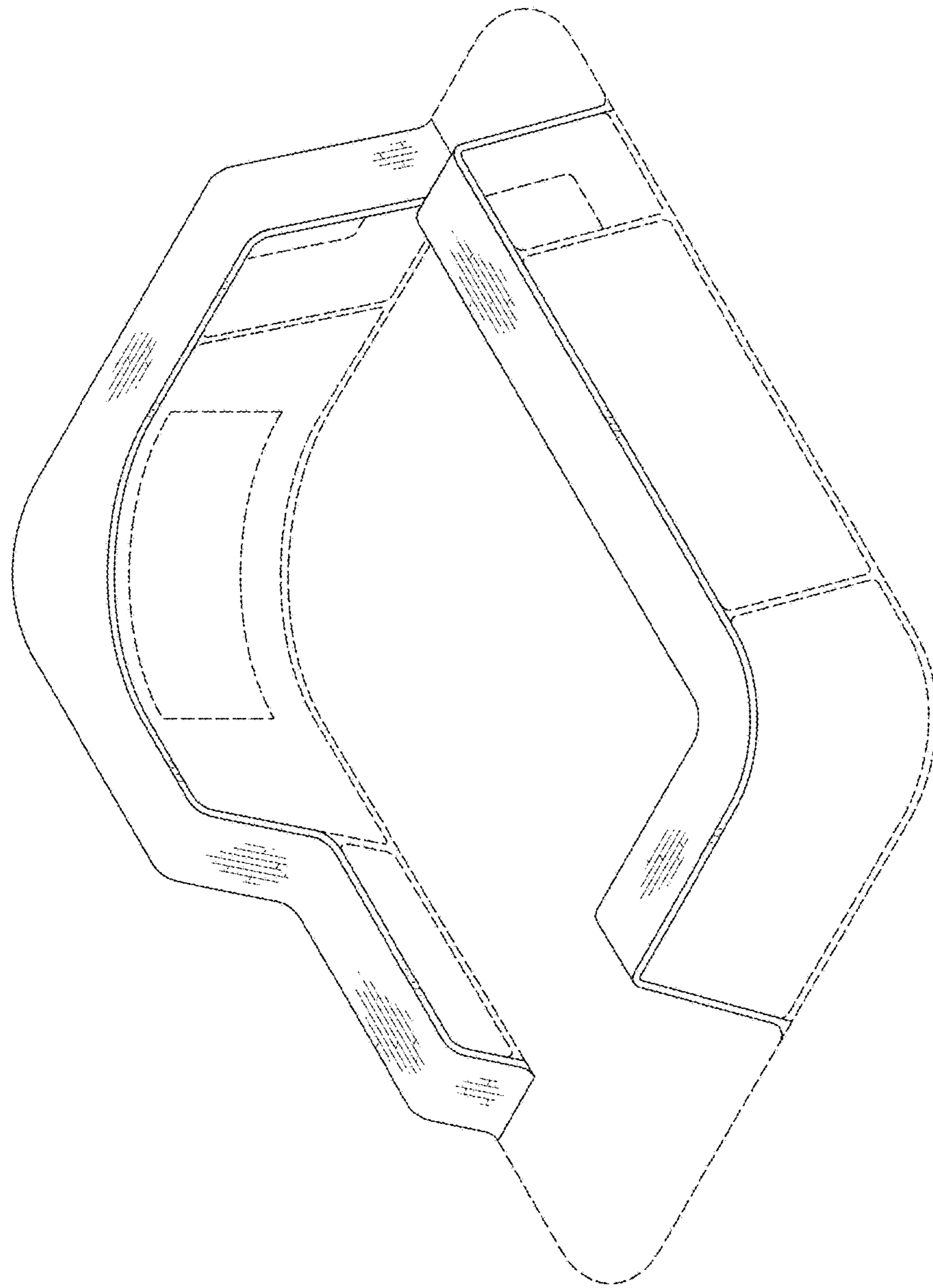


Fig. 1

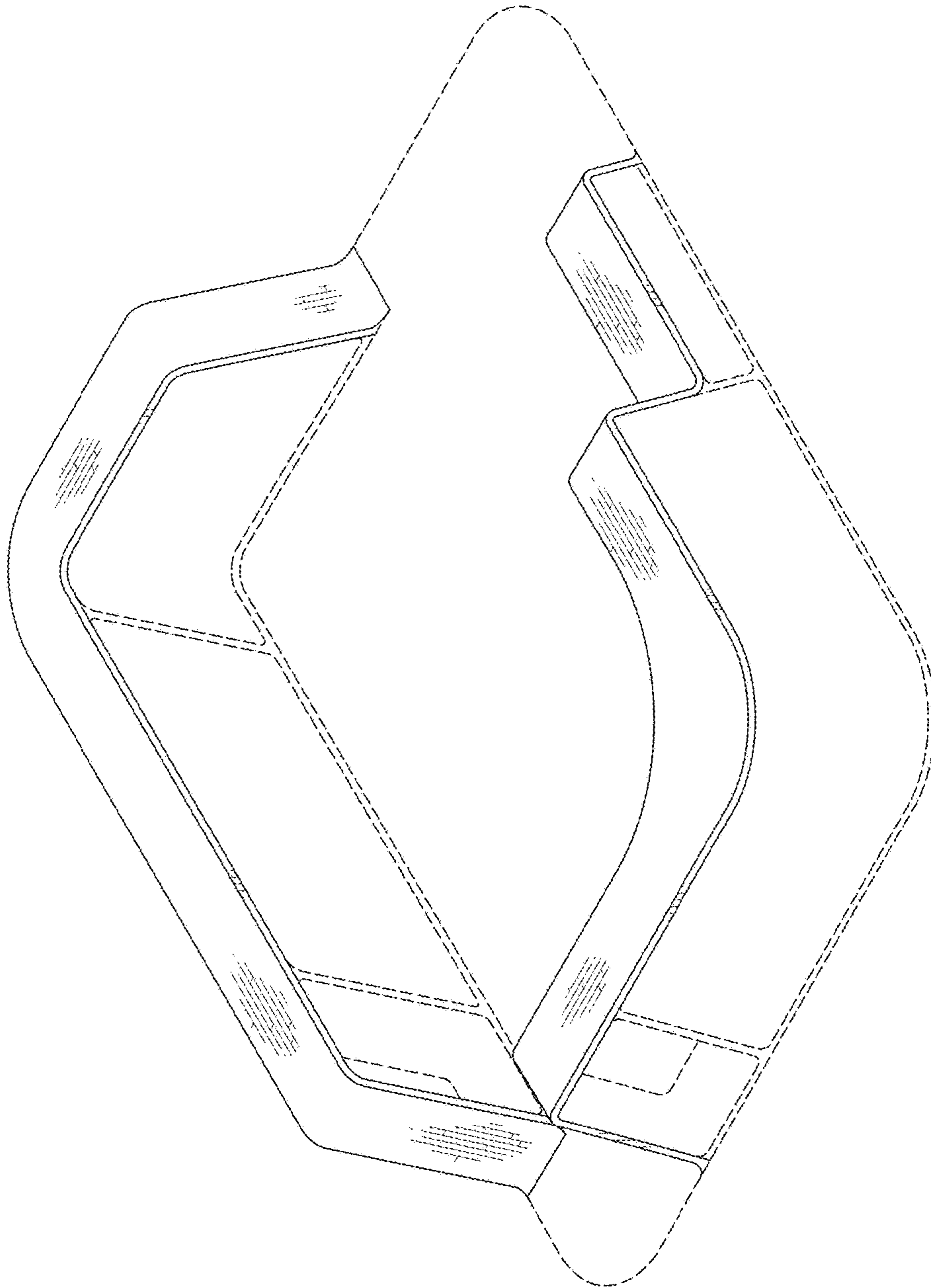


Fig. 2

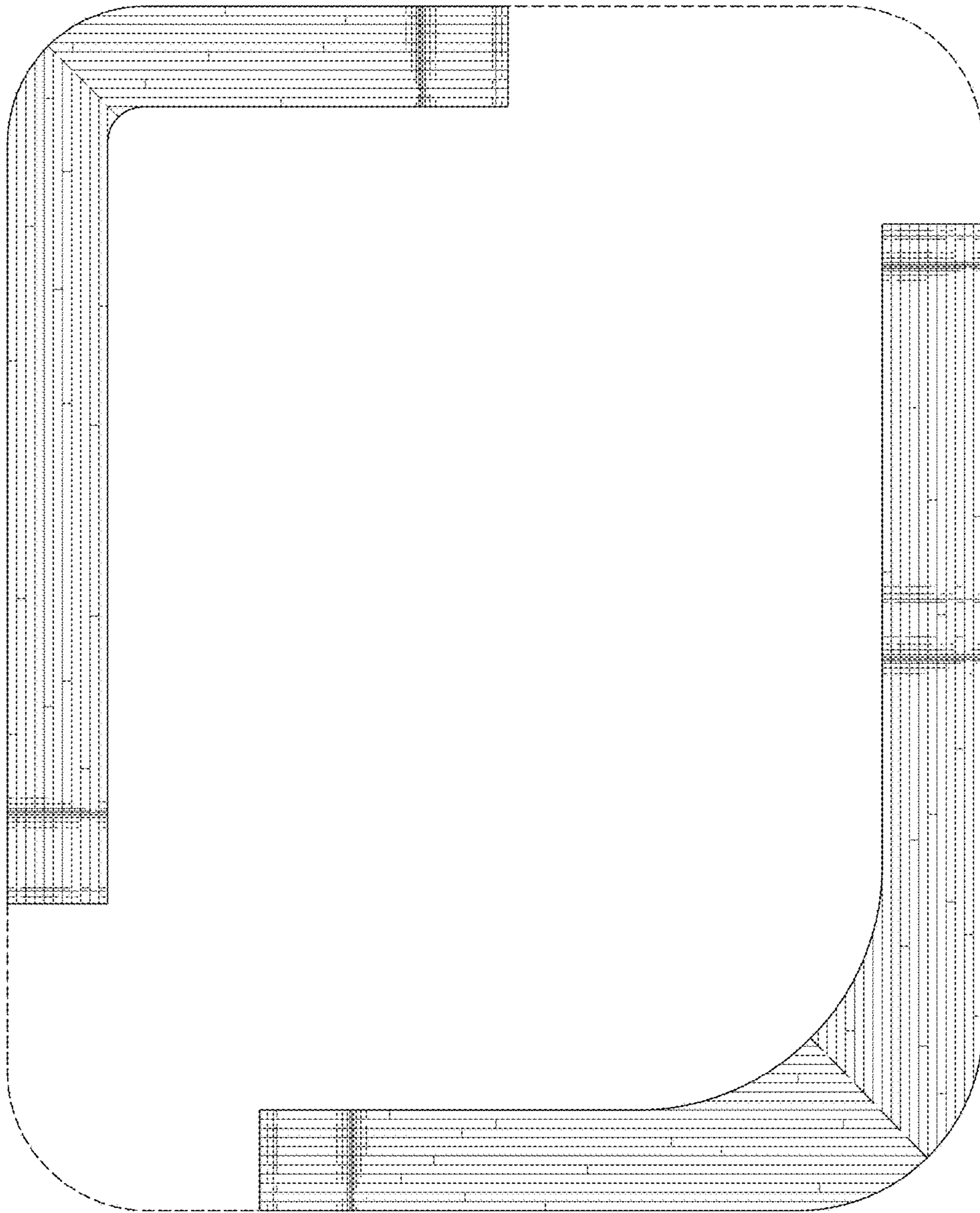


Fig. 3

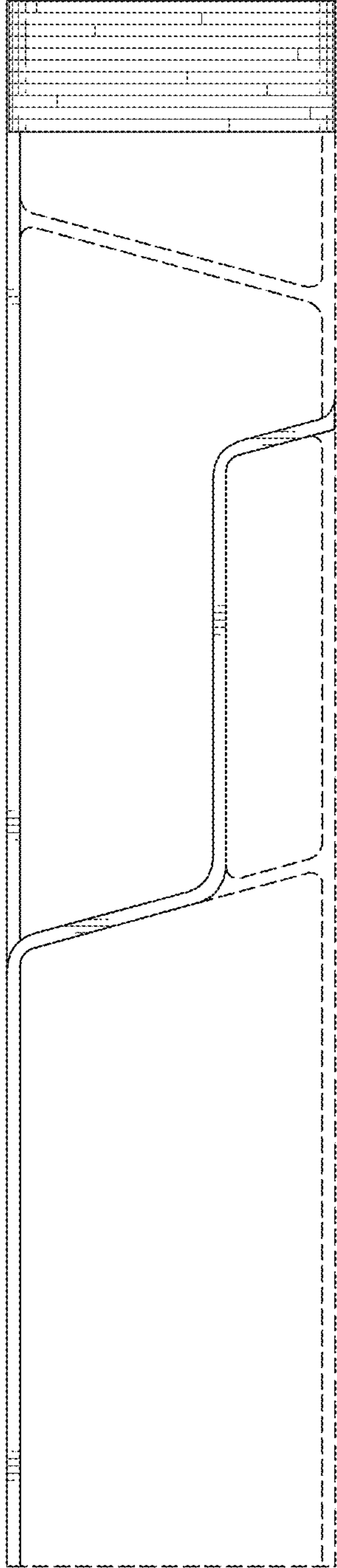


Fig. 4

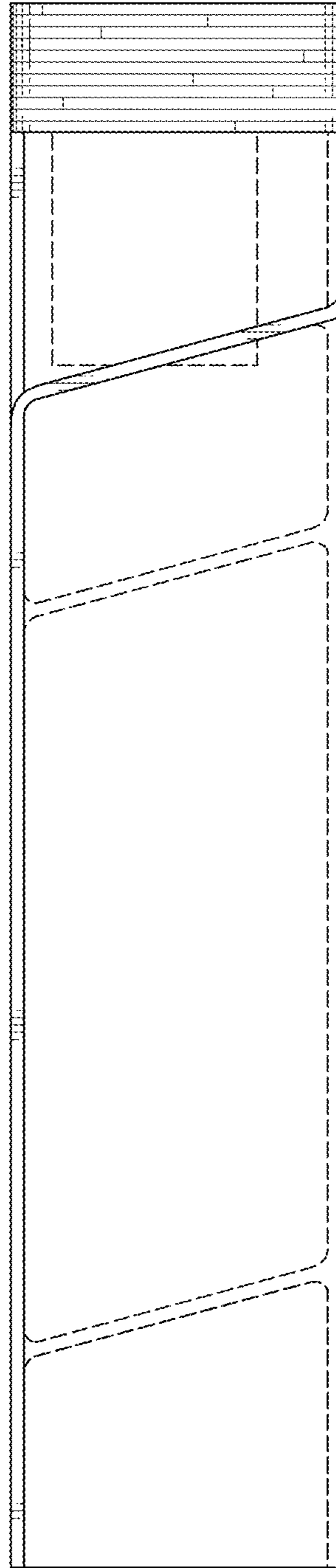


Fig. 5

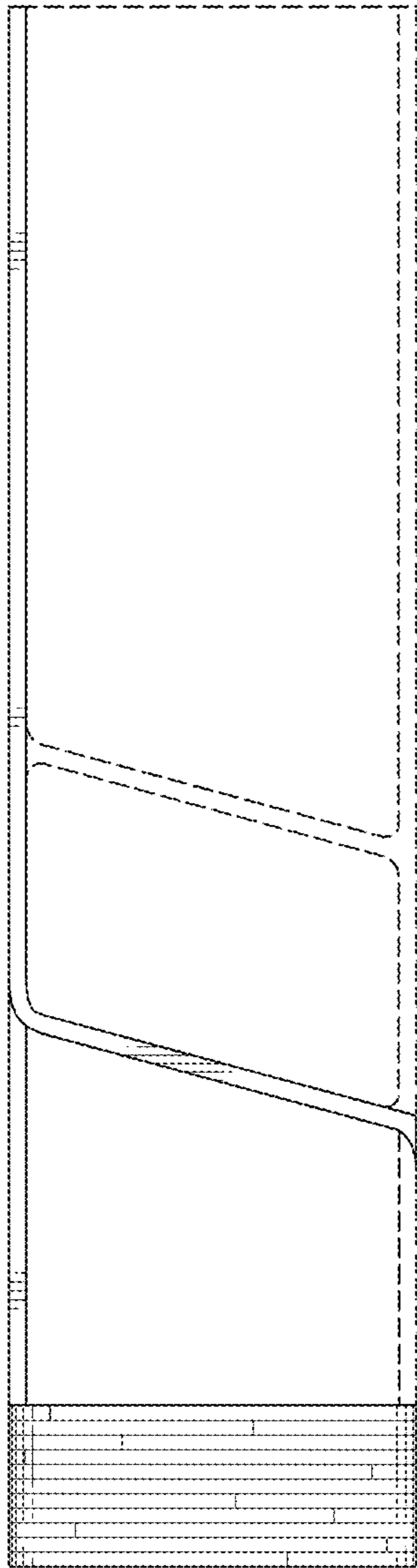


Fig. 6

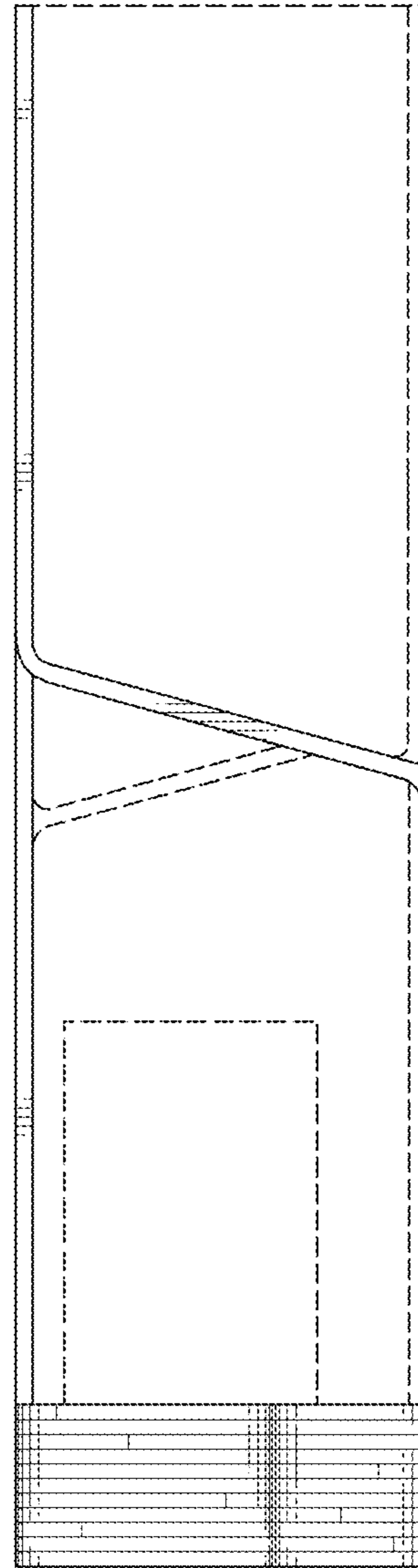


Fig. 7

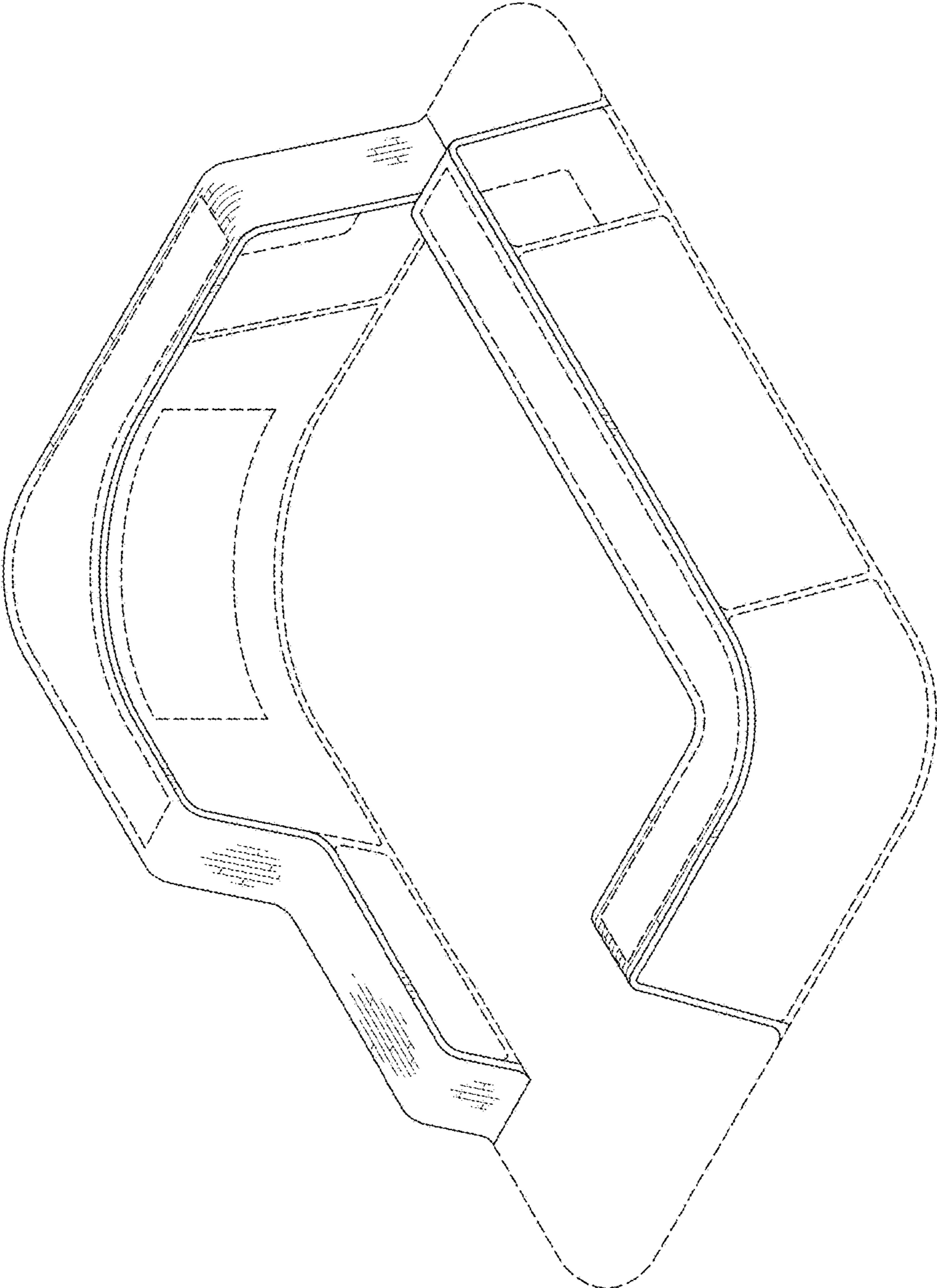


Fig. 8