



US00D780936S

(12) **United States Design Patent**
Guaragno et al.

(10) **Patent No.:** **US D780,936 S**
(45) **Date of Patent:** **** Mar. 7, 2017**

(54) **DENTAL DEVICE HOLDER**

(71) Applicant: **DENTSPLY International Inc.**, York, PA (US)

(72) Inventors: **Kenneth R Guaragno**, Spring Grove, PA (US); **Jeremy Kile**, York, PA (US); **Peter H Werner**, Columbia, PA (US)

(73) Assignee: **Dentsply International Inc.**, York, PA (US)

(**) Term: **14 Years**

(21) Appl. No.: **29/518,326**

(22) Filed: **Feb. 23, 2015**

(51) **LOC (10) Cl.** **24-02**

(52) **U.S. Cl.**
USPC **D24/227**

(58) **Field of Classification Search**
USPC D24/227-230, 221, 151; 206/570, 571, 206/569, 557-565, 368, 369; D9/456, D9/748, 749, 429, 432
(Continued)

(56) **References Cited**

U.S. PATENT DOCUMENTS

5,199,567 A * 4/1993 Disko, Jr. A61C 19/02
206/368
5,377,823 A * 1/1995 Steen A61C 19/005
206/63.5

(Continued)

Primary Examiner — Susan Bennett Hattan

Assistant Examiner — Rebecca Tsehaye

(74) *Attorney, Agent, or Firm* — Leana Levin; Douglas Hura; David Zdurne

(57) **CLAIM**

The ornamental design for a dental device holder, as shown and described.

DESCRIPTION

FIG. 1 is an isometric view of a dental device holder in a first position showing our new design demonstrating the placement of a dental tool;

FIG. 2 is an isometric view of the dental device holder in the first position;

FIG. 3 is a top view of the dental device holder in the first position;

FIG. 4 is a bottom view of the dental device holder in the first position;

FIG. 5 is a first side view of the dental device holder in the first position;

FIG. 6 is a second side view of the dental device holder in the first position;

FIG. 7 is a front view of the dental device holder in the first position;

FIG. 8 is a rear view of the dental device holder in the first position;

FIG. 9 is an isometric view of the dental device holder in a second position;

FIG. 10 is an isometric view of the dental device holder in the second position demonstrating the placement of a dental tool;

FIG. 11 is a top view of the dental device holder in the second position;

FIG. 12 is a bottom view of the dental device holder in the second position;

FIG. 13 is a first side view of the dental device holder in the second position;

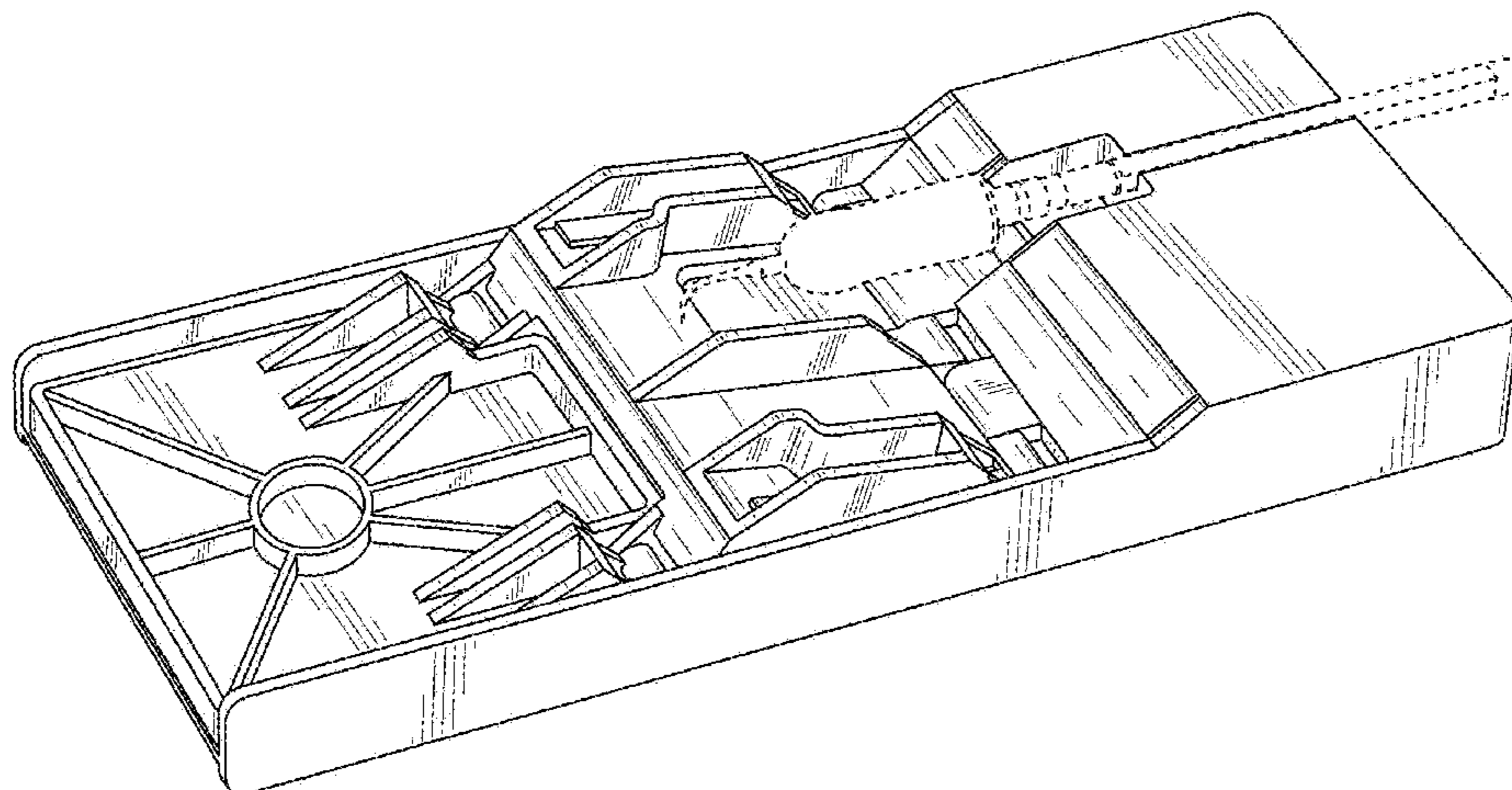
FIG. 14 is a second side view of the dental device holder in the second position;

FIG. 15 is a front view of the dental device holder in the second position; and,

FIG. 16 is a rear view of the dental device holder in the second position.

The broken lines in FIGS. 4 and 12 depict a portion of the dental holder device that forms no part of the claimed design.

1 Claim, 13 Drawing Sheets



(58) **Field of Classification Search**

CPC A61B 50/33; A61B 50/34; A61B 50/37

See application file for complete search history.

(56) **References Cited**

U.S. PATENT DOCUMENTS

5,749,730	A	*	5/1998	Johnsen	A61C 19/005
						206/63.5
D441,090	S	*	4/2001	Broyles	D24/176
D445,198	S	*	7/2001	Fratini	D24/227
D450,391	S	*	11/2001	Hunt	D24/227
D471,640	S	*	3/2003	McMichael	D24/227
D471,641	S	*	3/2003	McMichael	D24/227
D565,743	S	*	4/2008	Phillips	D24/229
D608,456	S	*	1/2010	Sandel	D24/227
D720,470	S	*	12/2014	Lober	D24/227

* cited by examiner

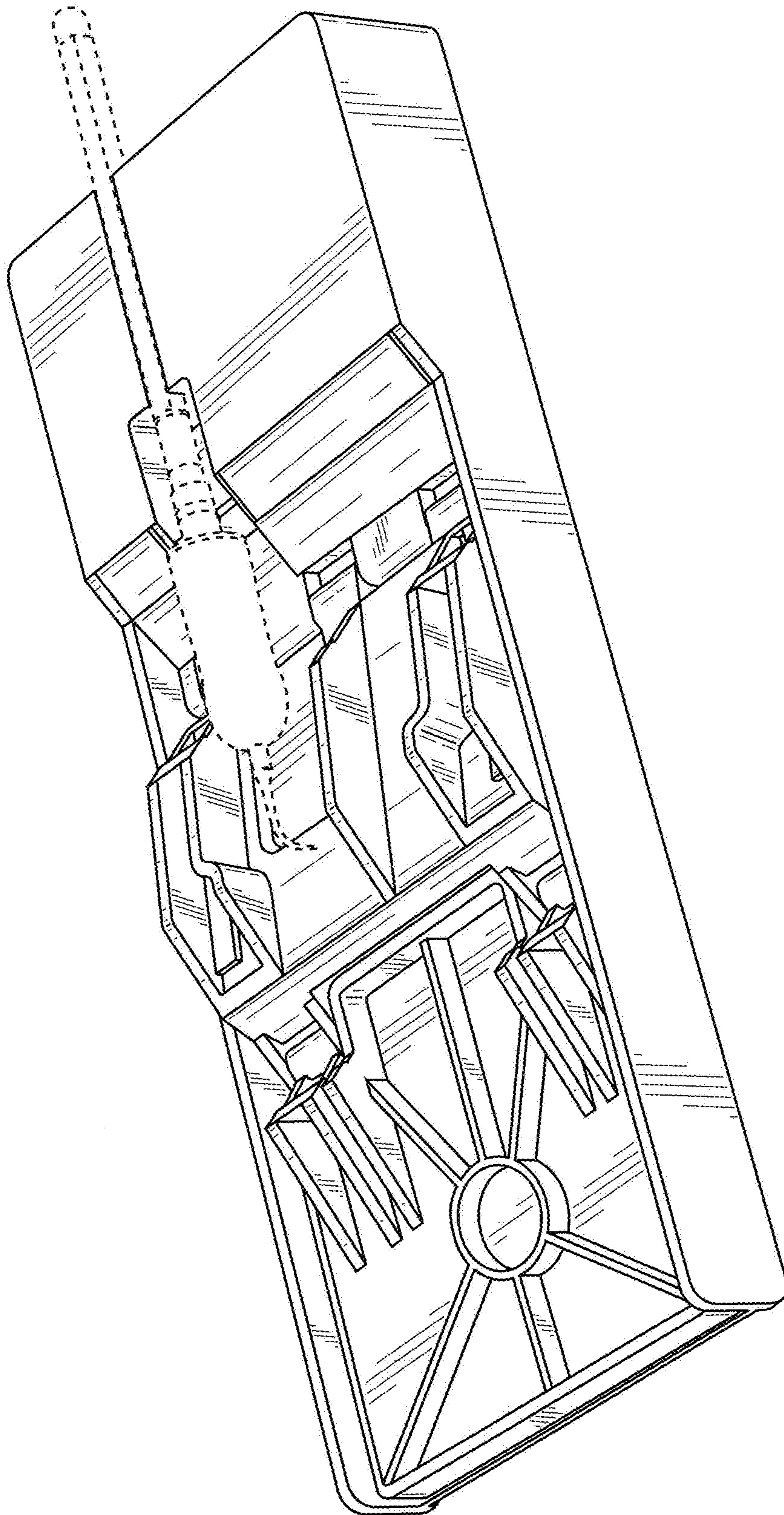


FIG. 1

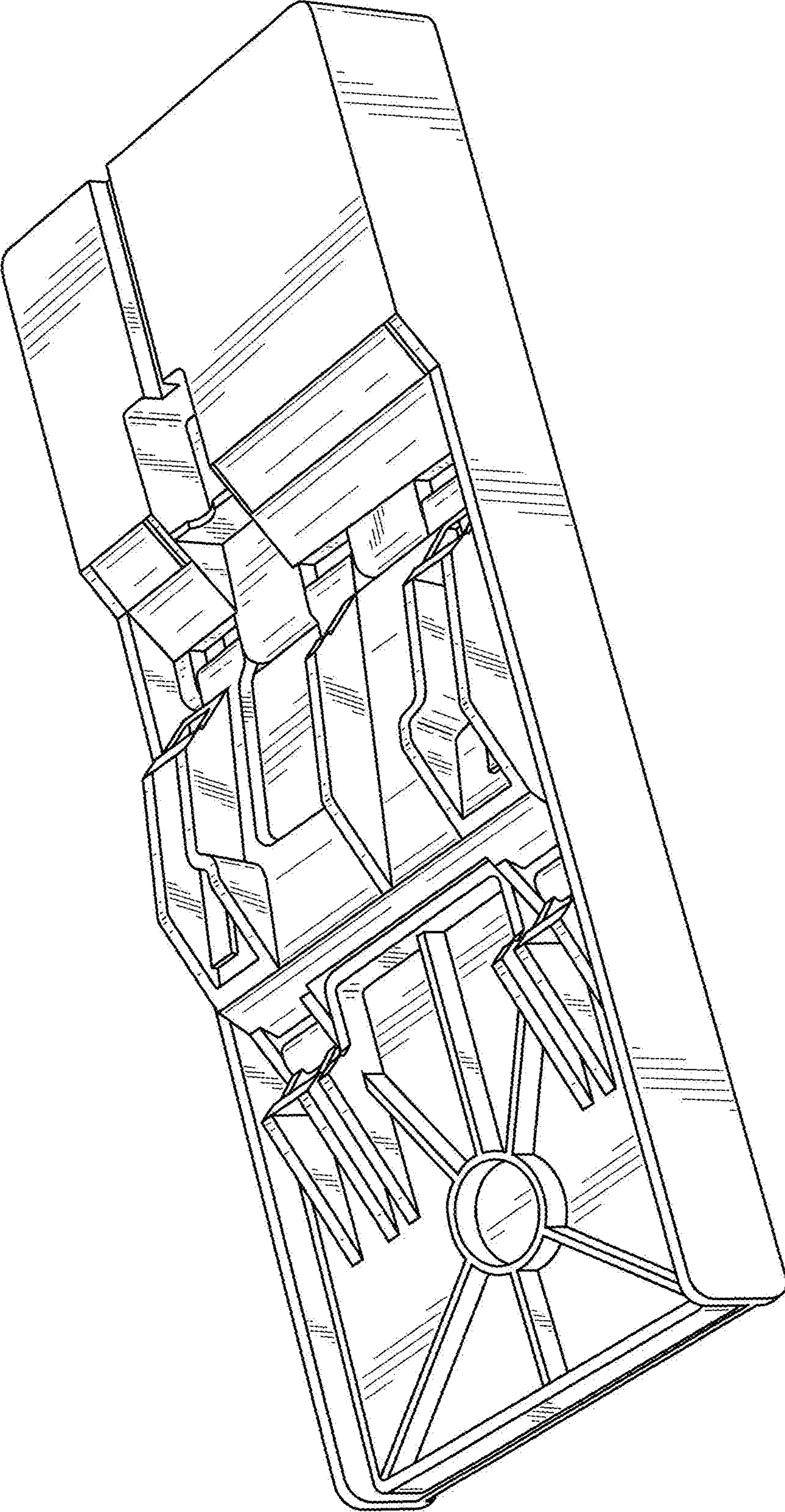


FIG. 2

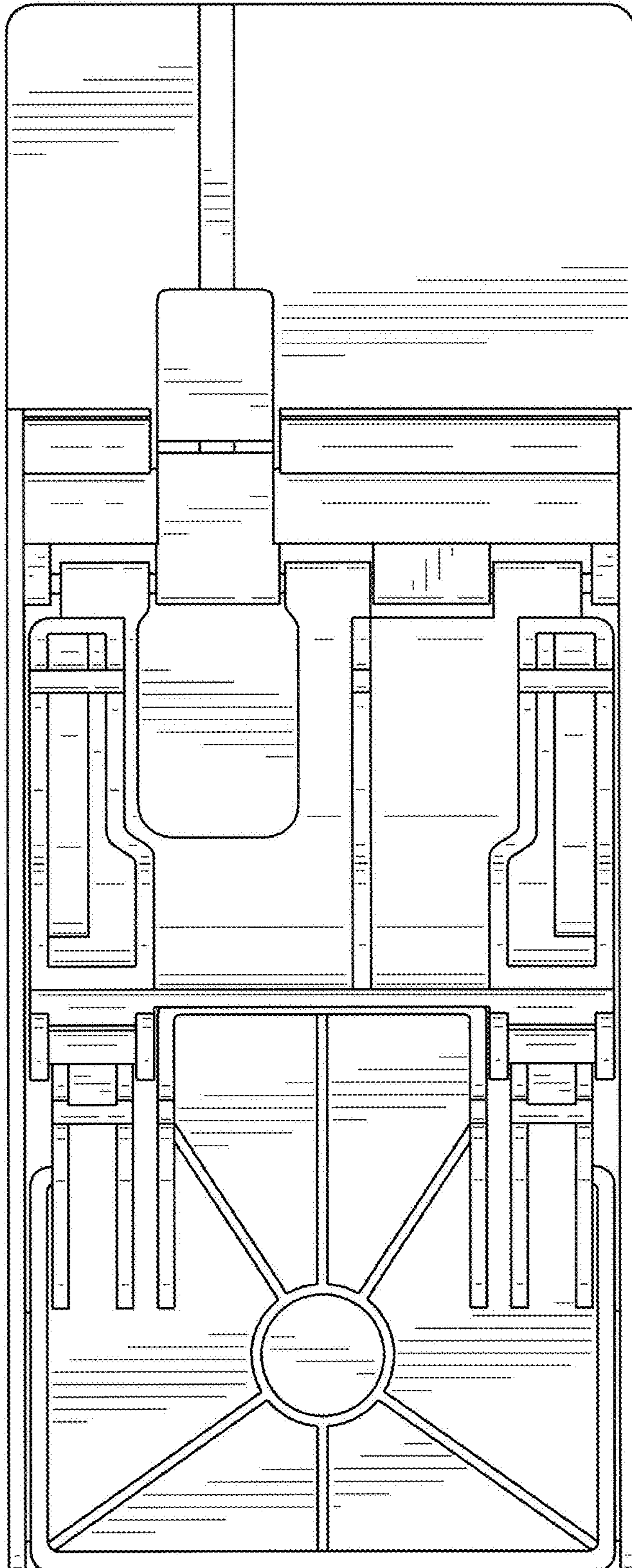


FIG. 3

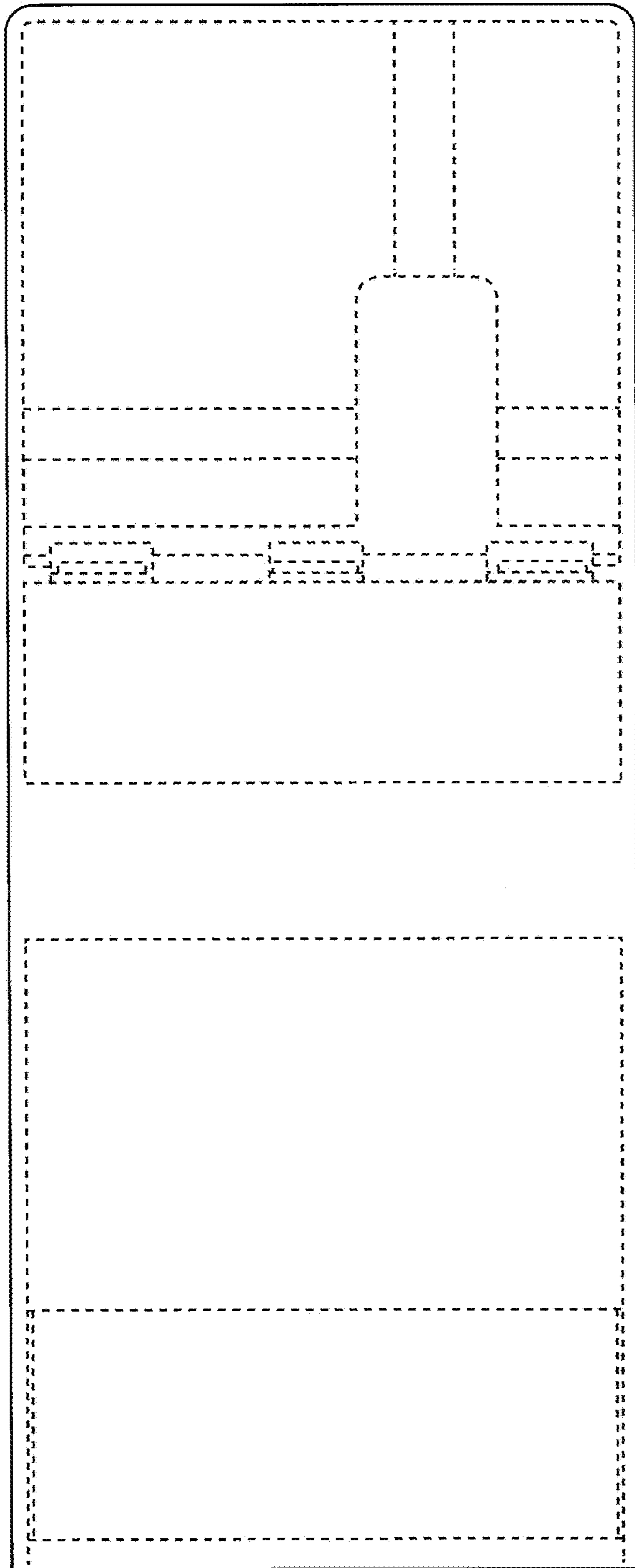


FIG. 4

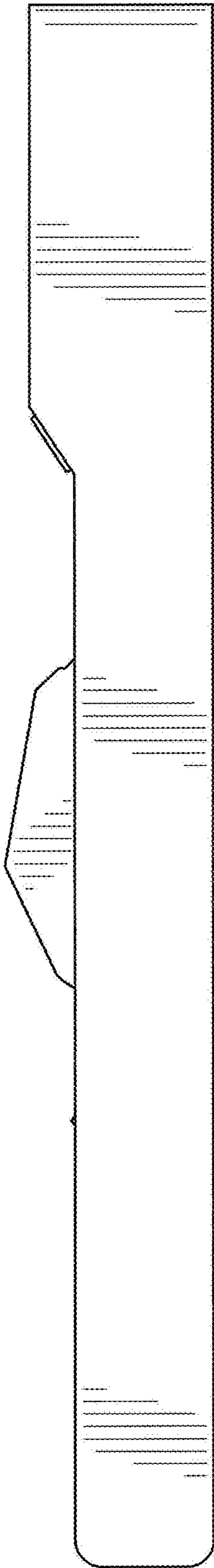


FIG. 5

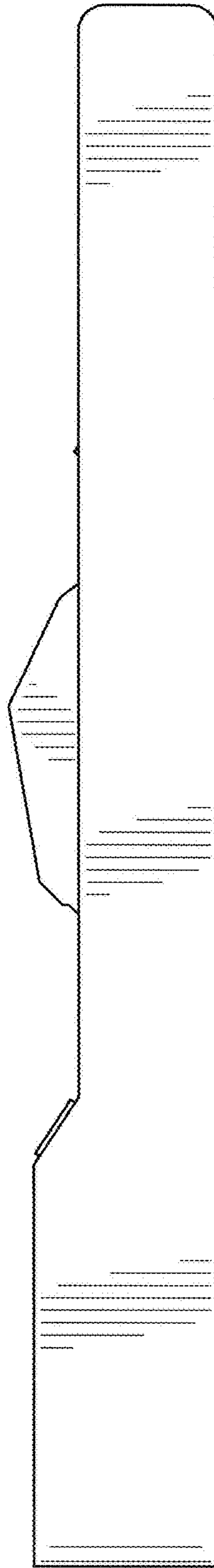


FIG. 6

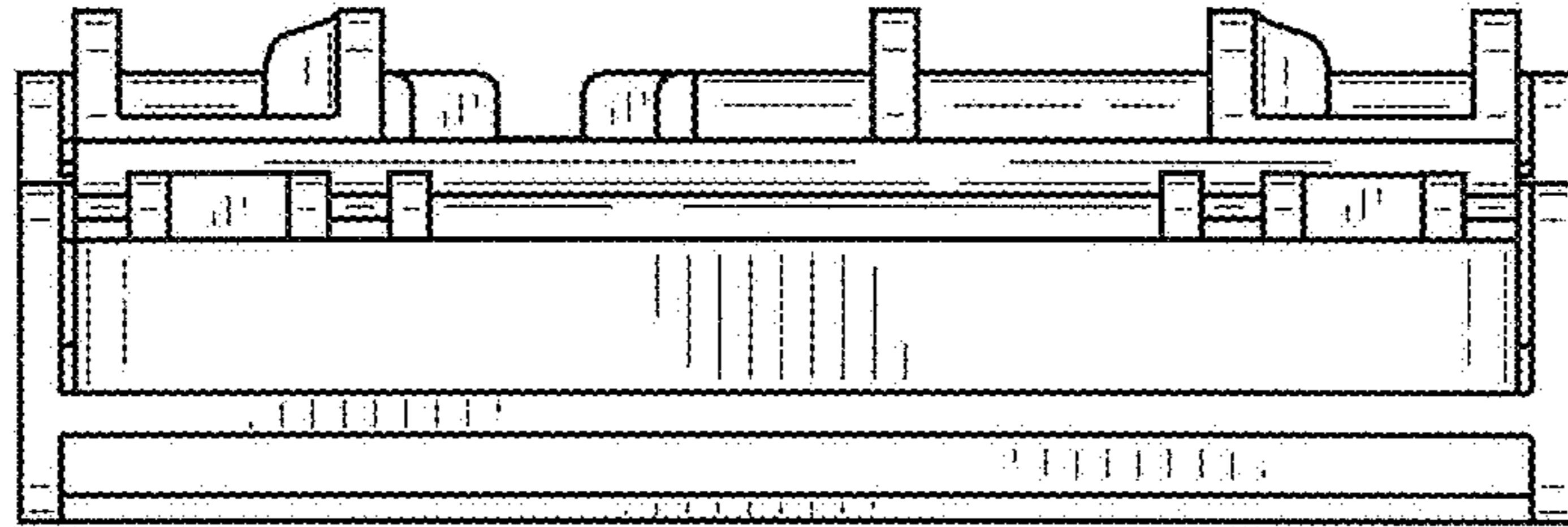


FIG. 7

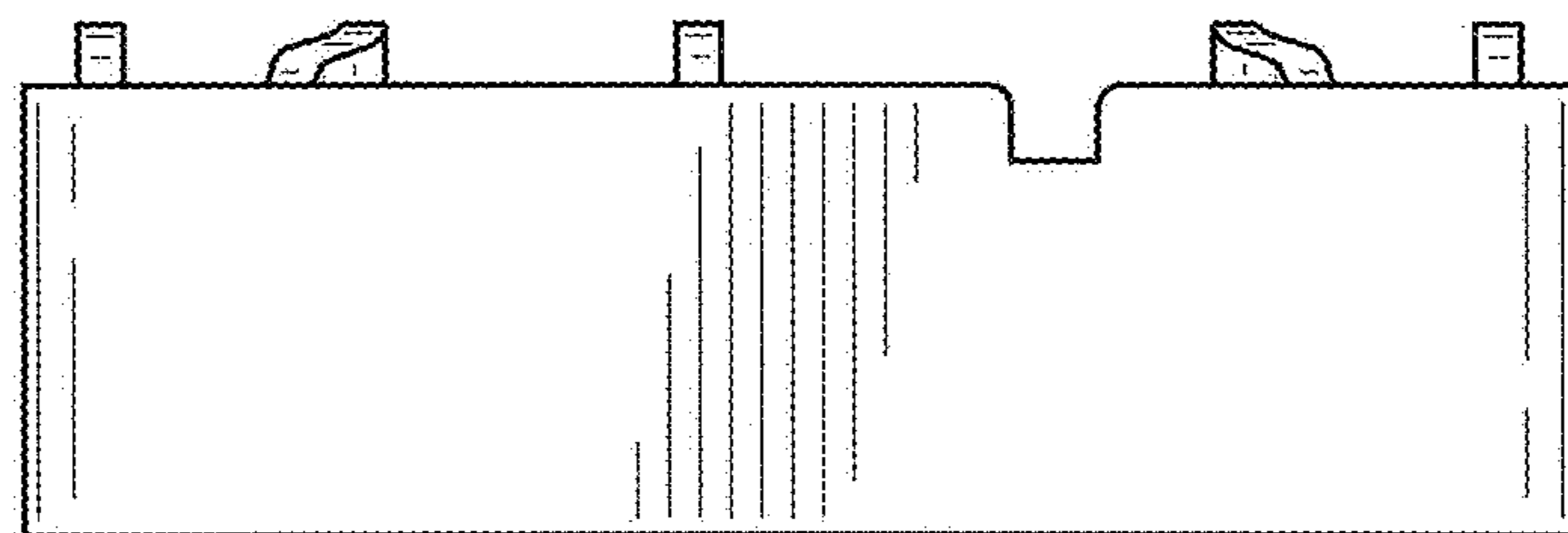


FIG. 8

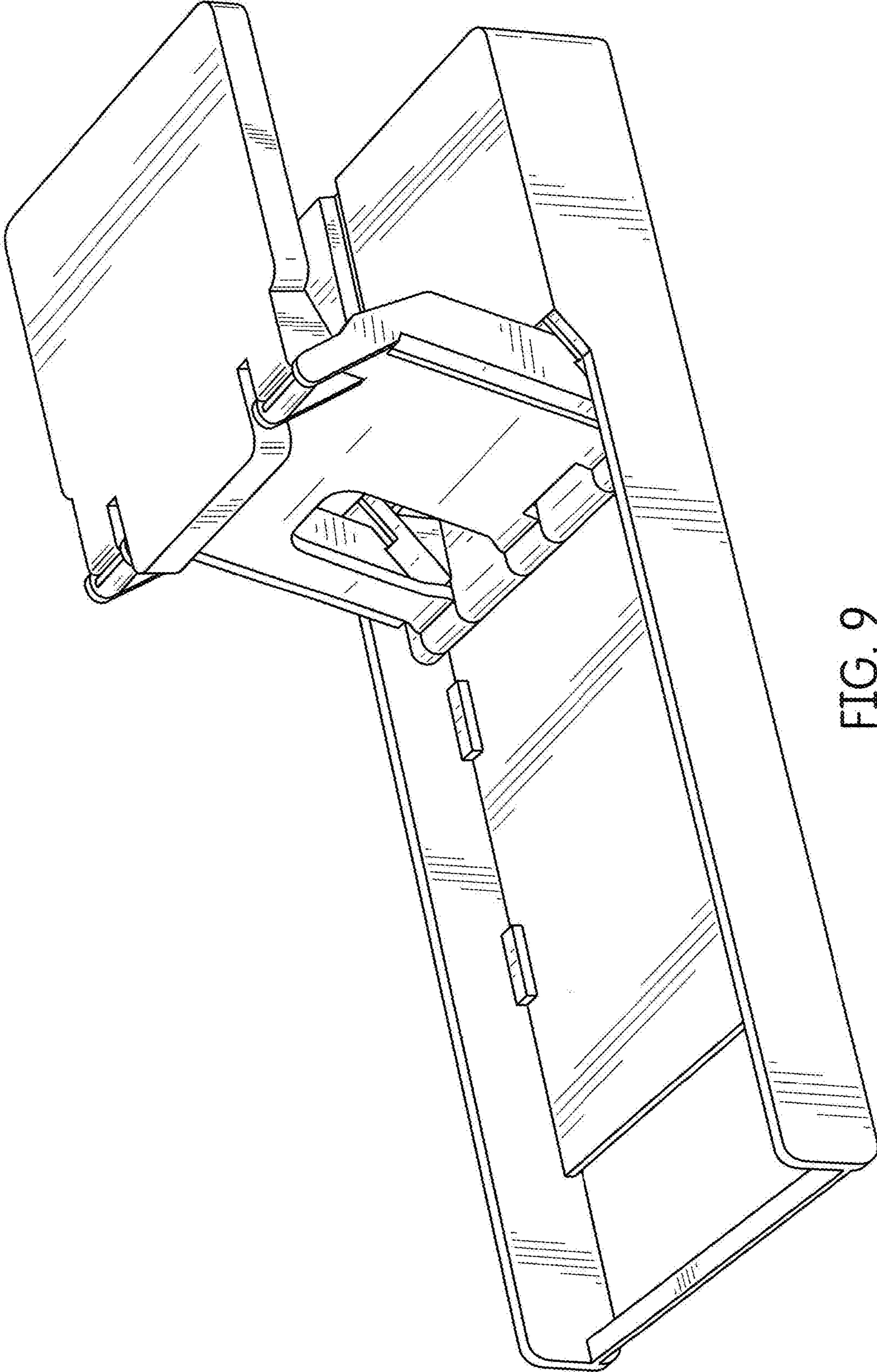


FIG. 9

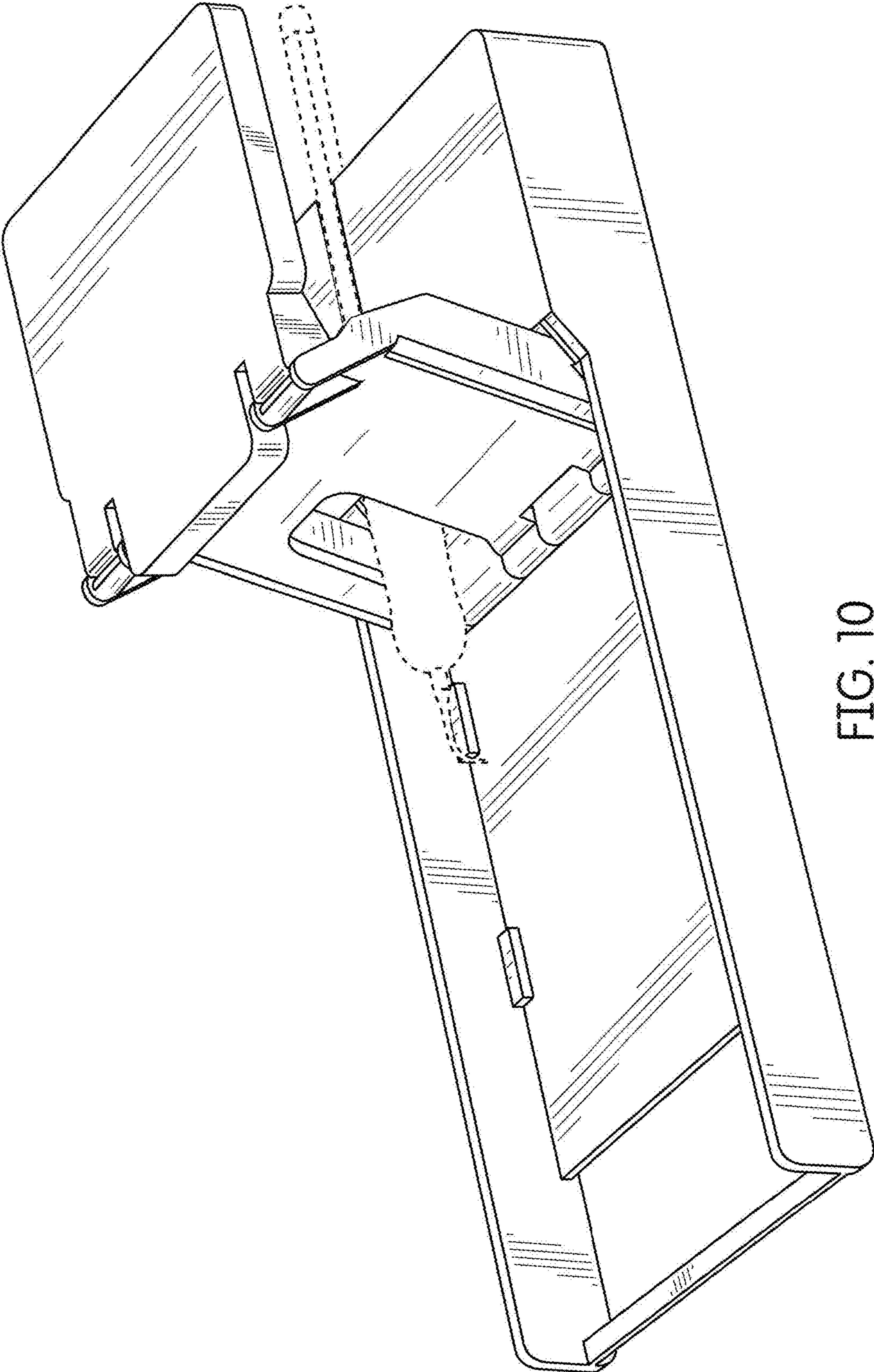


FIG. 10

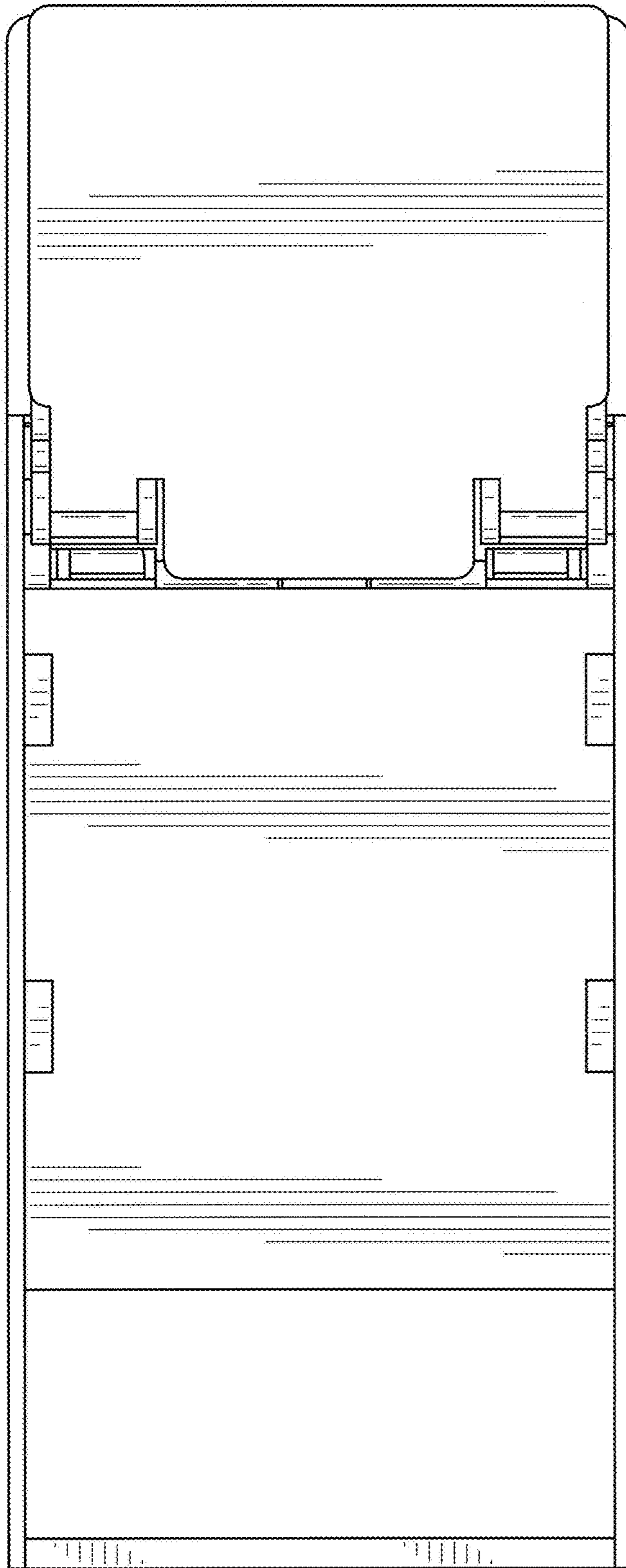


FIG. 11

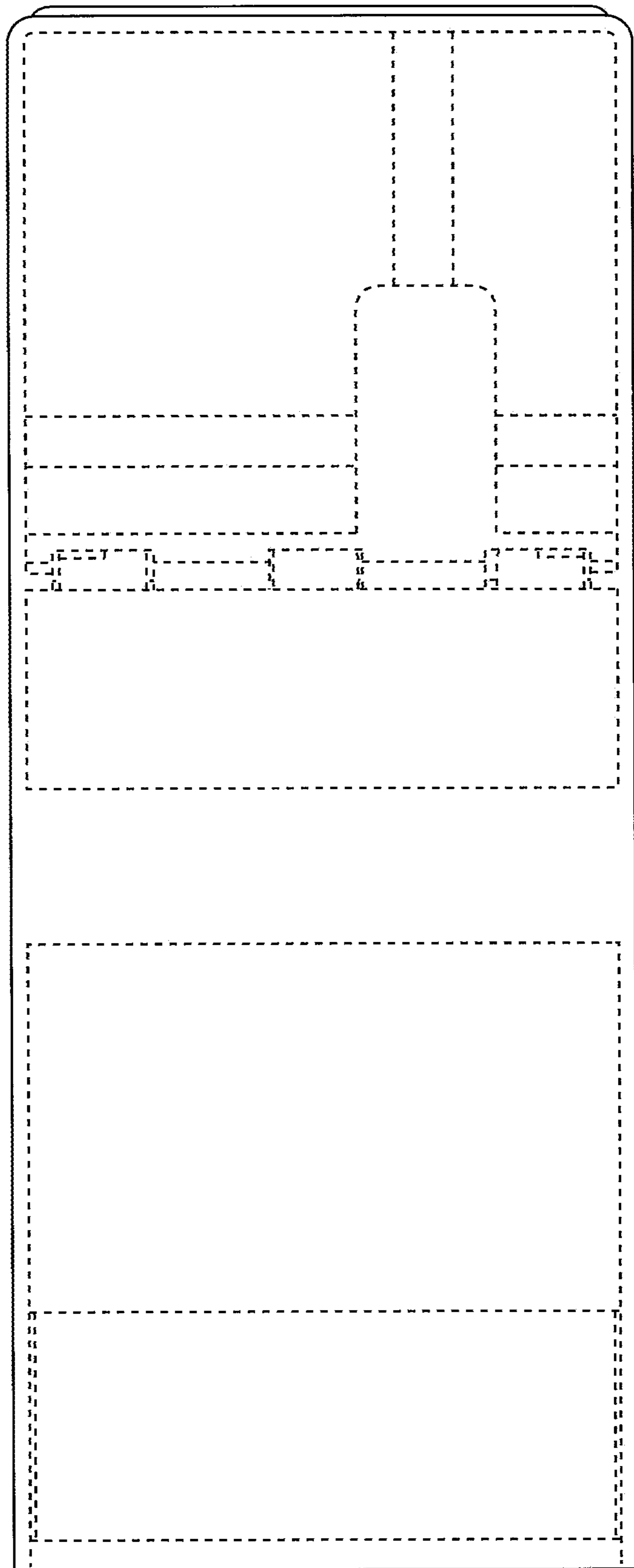


FIG. 12

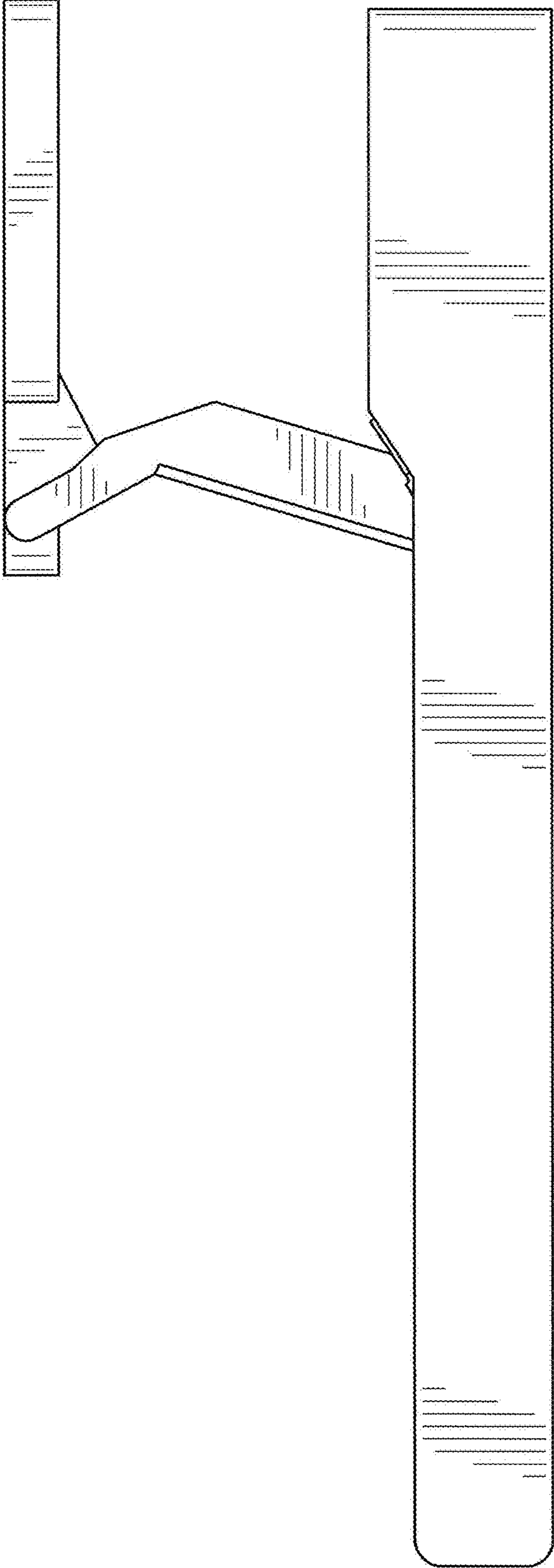


FIG. 13

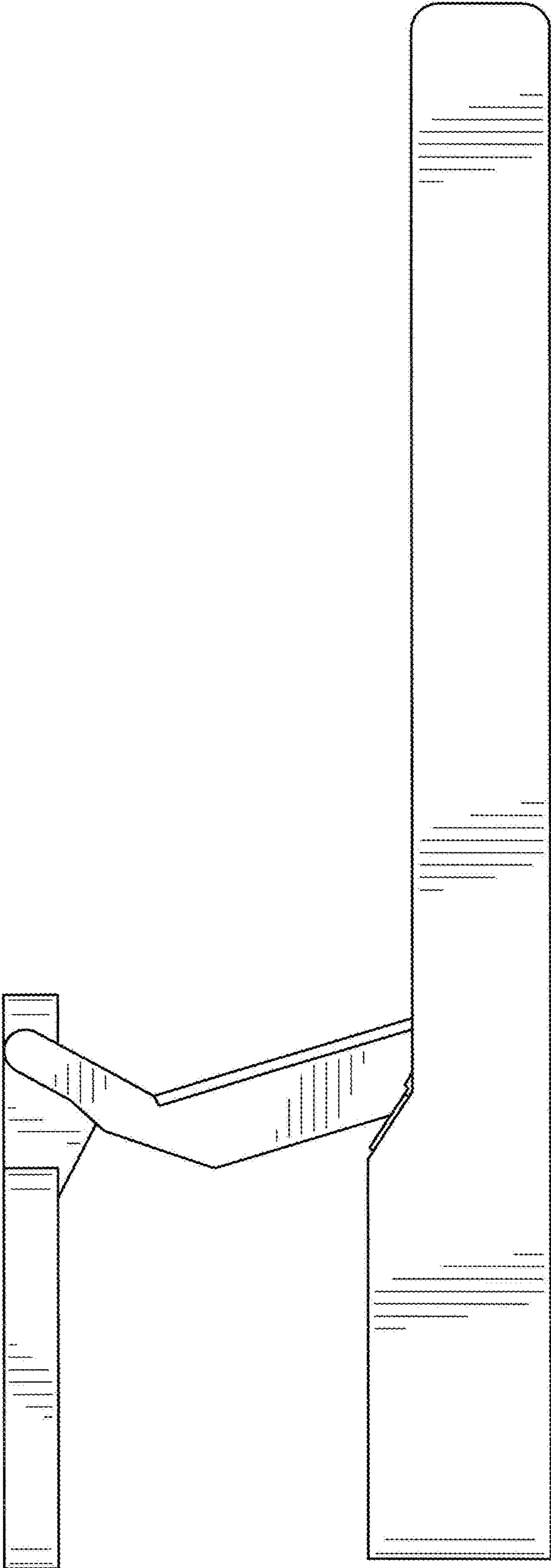


FIG. 14

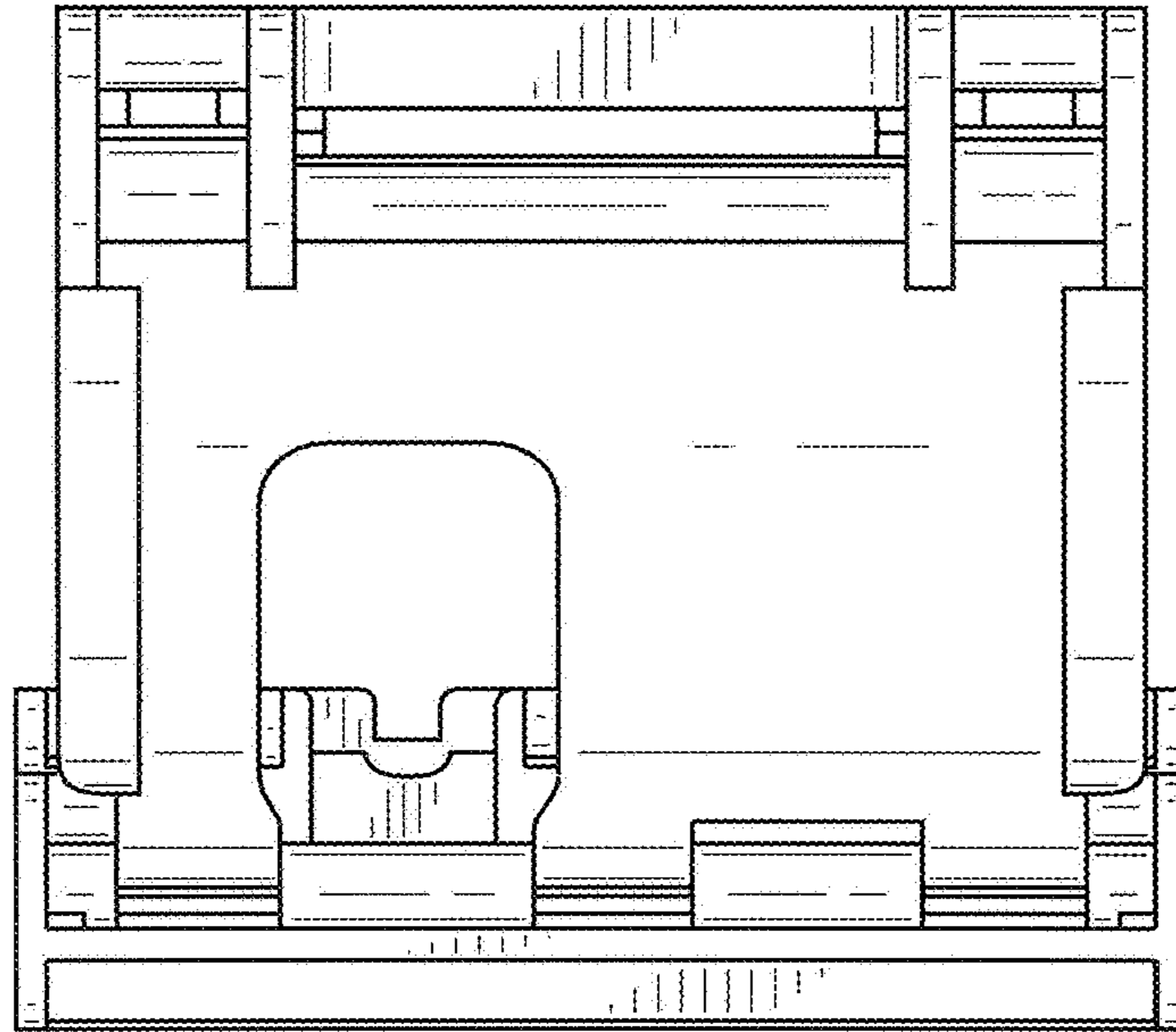


FIG. 15

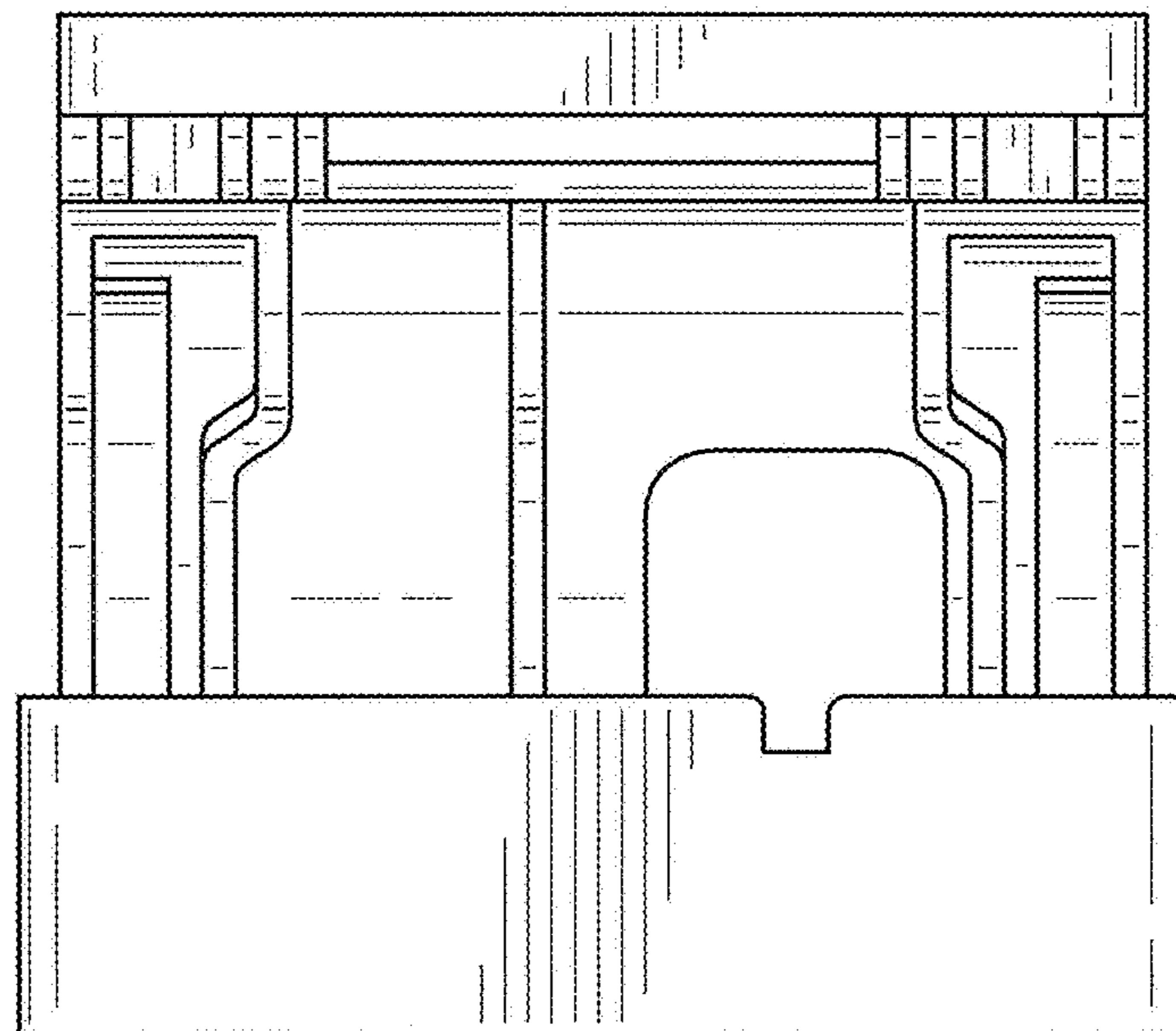


FIG. 16