



US00D780935S

(12) **United States Design Patent** (10) **Patent No.:** **US D780,935 S**
Goos et al. (45) **Date of Patent:** **** Mar. 7, 2017**

(54) **IMAGING MACHINE**

2016/0146745 A1* 5/2016 Takahara G01N 23/223
378/44

(71) Applicant: **ACQUIFER AG**, Karlsruhe (DE)

* cited by examiner

(72) Inventors: **Jurgen Goos**, Speyer (DE); **Paulo Queiros**, Pforzheim (DE)

Primary Examiner — Anhdao Doan

(73) Assignee: **Acquifer AG**, Karlsruhe (DE)

(74) *Attorney, Agent, or Firm* — Renner, Otto, Boisselle & Sklar, LLP

(**) Term: **14 Years**

(57) **CLAIM**

(21) Appl. No.: **29/516,243**

The ornamental design for an imaging machine, as shown and described.

(22) Filed: **Jan. 30, 2015**

DESCRIPTION

(51) **LOC (10) Cl.** **24-01**

(52) **U.S. Cl.**

USPC **D24/216**

(58) **Field of Classification Search**

USPC ... D24/158, 186.216, 107, 231-233; D10/81
CPC A61B 6/485; G01N 23/043; G01N 23/223;
G01N 2223/076; G01N 2223/0766;
G01N 2223/301; G01B 15/02

See application file for complete search history.

FIG. 1 is a front perspective view of an imaging machine showing our new design with the lid closed.

FIG. 2 is a rear perspective view thereof.

FIG. 3 is a front view thereof.

FIG. 4 is a left side view thereof.

FIG. 5 is a right side view thereof.

FIG. 6 is a rear view thereof.

FIG. 7 is a top view thereof.

FIG. 8 is an alternate front perspective view of the imaging machine with the lid open.

FIG. 9 is a left side view thereof.

FIG. 10 is a right side view thereof; and,

FIG. 11 is a top view thereof.

The bottom views form no part of the design and are omitted. Alternate front and rear views of the imaging machine with the lid open have been omitted since they are identical to FIGS. 3 and 6, respectively.

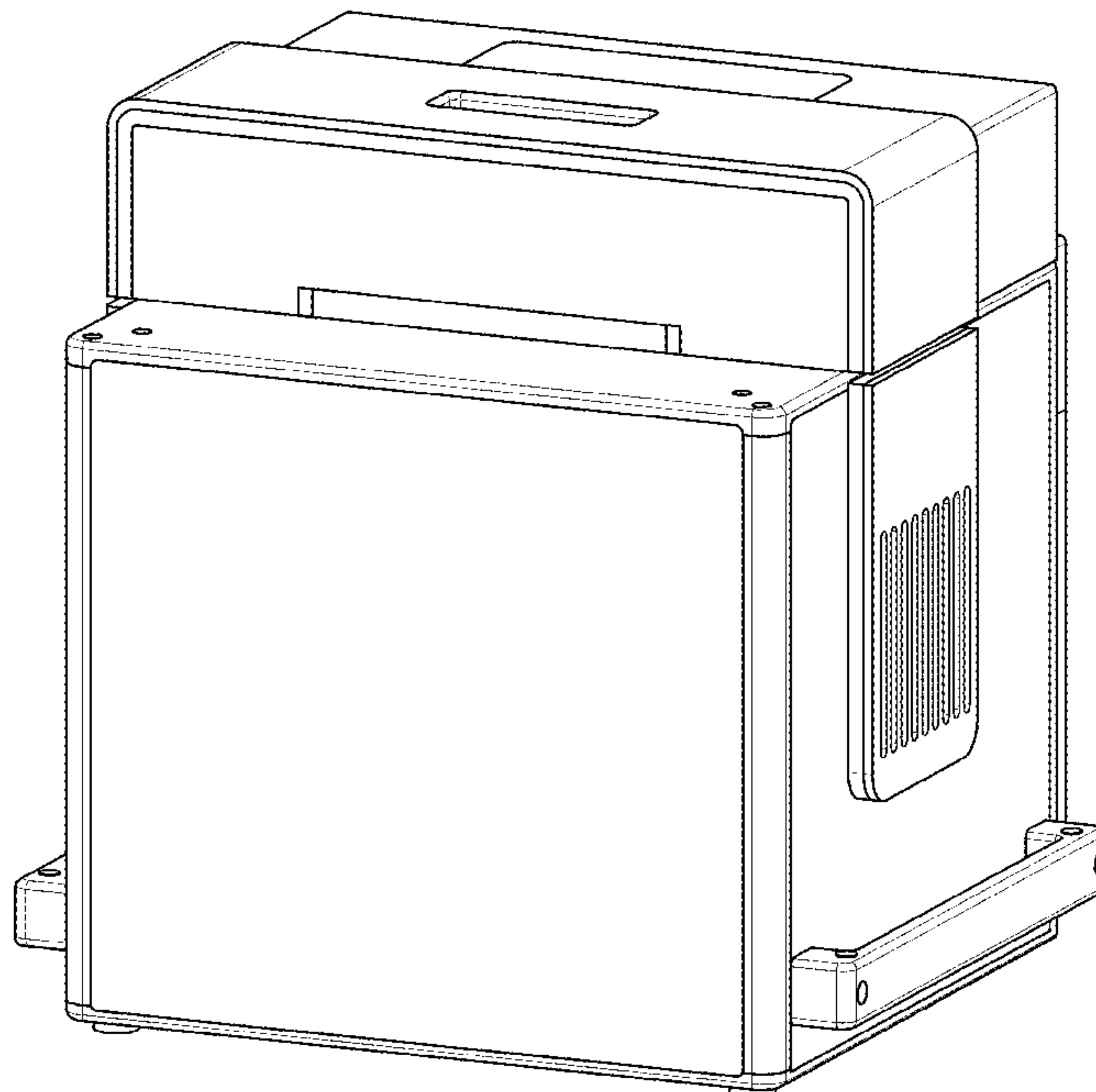
The broken line showing is for the purpose of illustrating portions of the imaging machine and forms no part of the claimed design.

(56) **References Cited**

U.S. PATENT DOCUMENTS

D515,707 S *	2/2006	Shinohara	D24/216
D571,474 S *	6/2008	Sjo-Gaber	D24/186
D587,808 S *	3/2009	Sperry	D24/158
D648,844 S *	11/2011	Nelson	D14/308
D670,401 S *	11/2012	Tsuda	D24/216
D675,742 S *	2/2013	Fienieg	D24/186
D700,710 S *	3/2014	Meziere	D24/216
D705,933 S *	5/2014	Matuschek	D24/158
D716,469 S *	10/2014	Muraoka	D24/216
2013/0272498 A1 *	10/2013	Goto	G01N 23/223 378/45

1 Claim, 11 Drawing Sheets



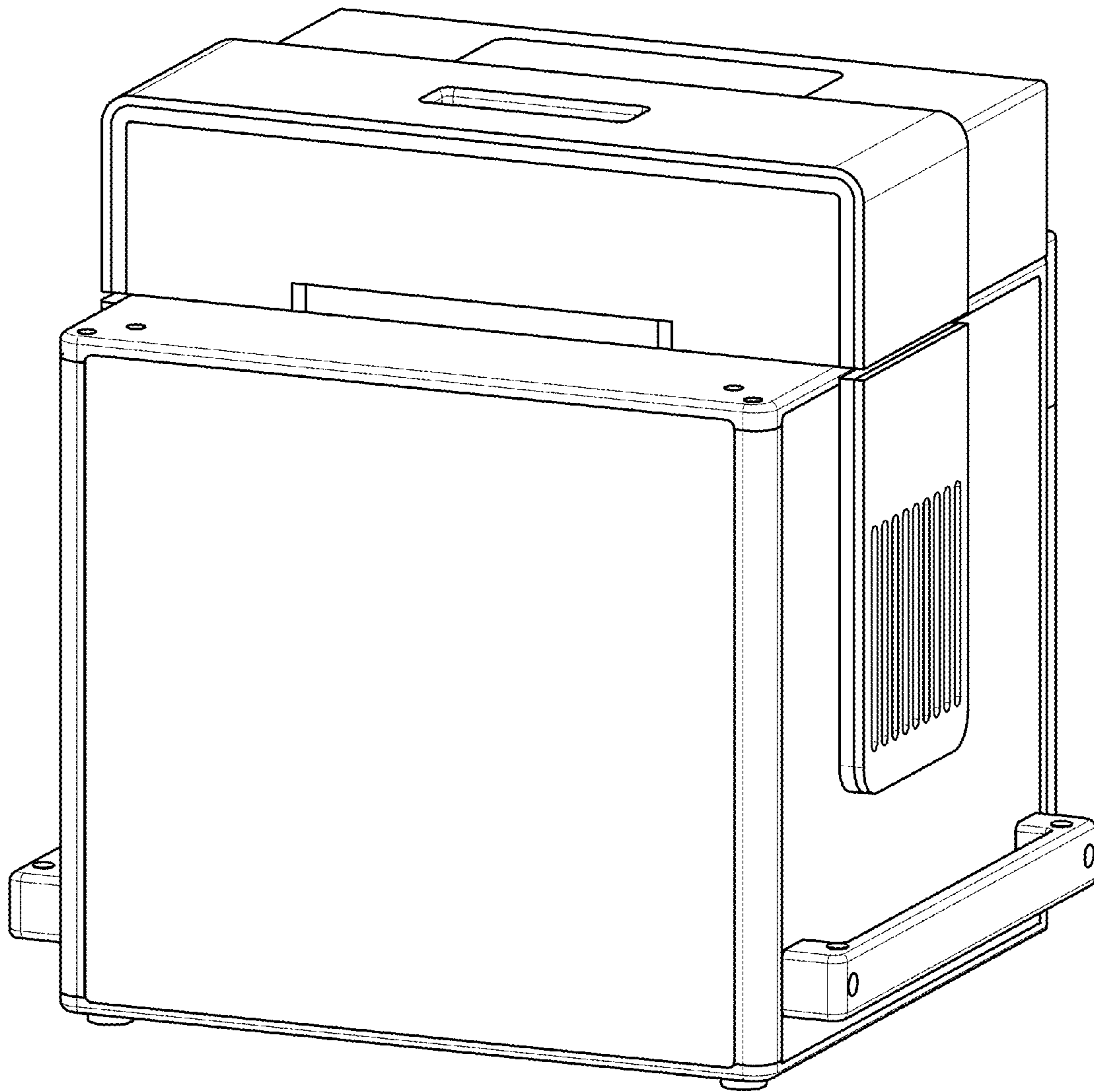


Fig. 1

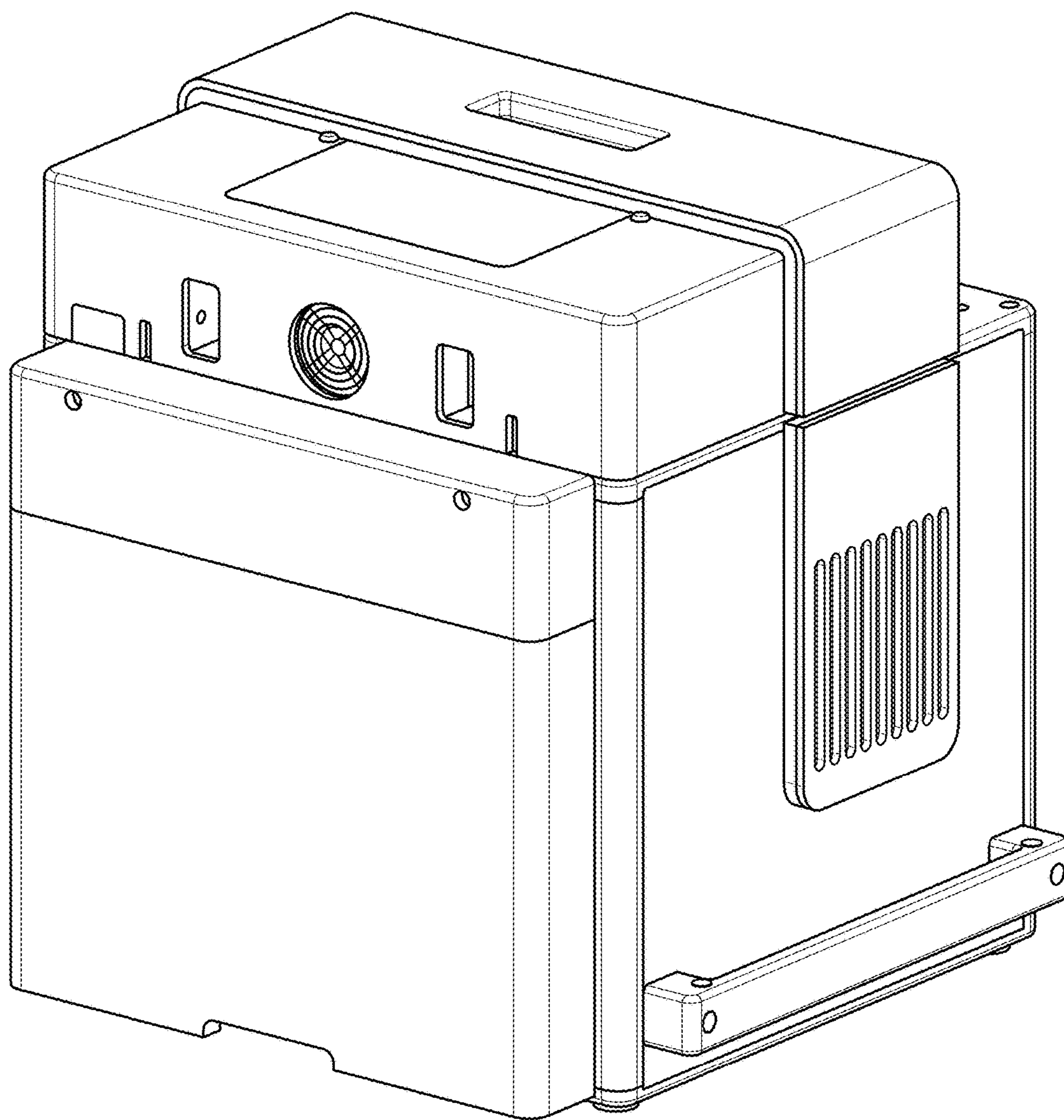


Fig. 2

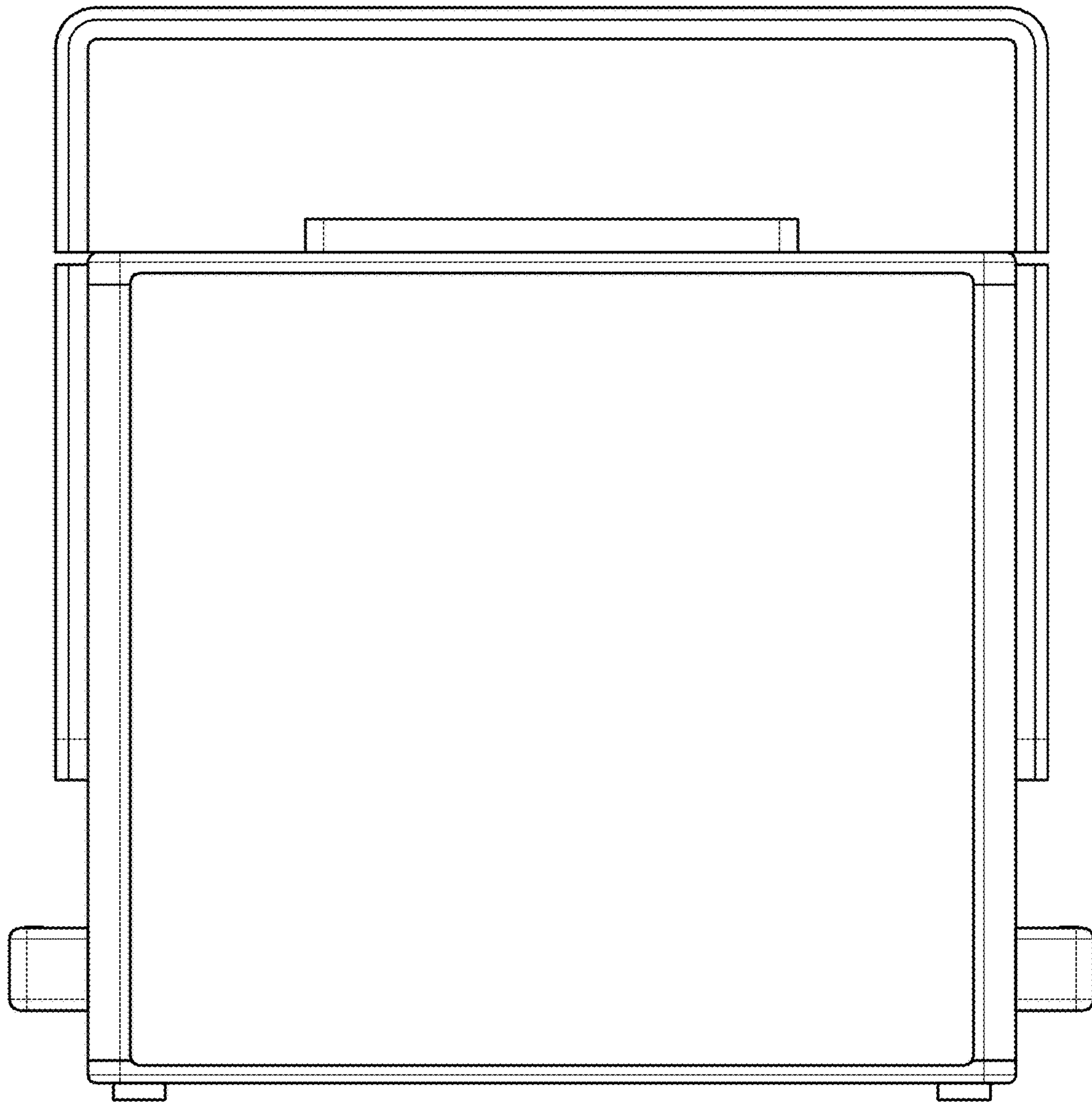


Fig. 3

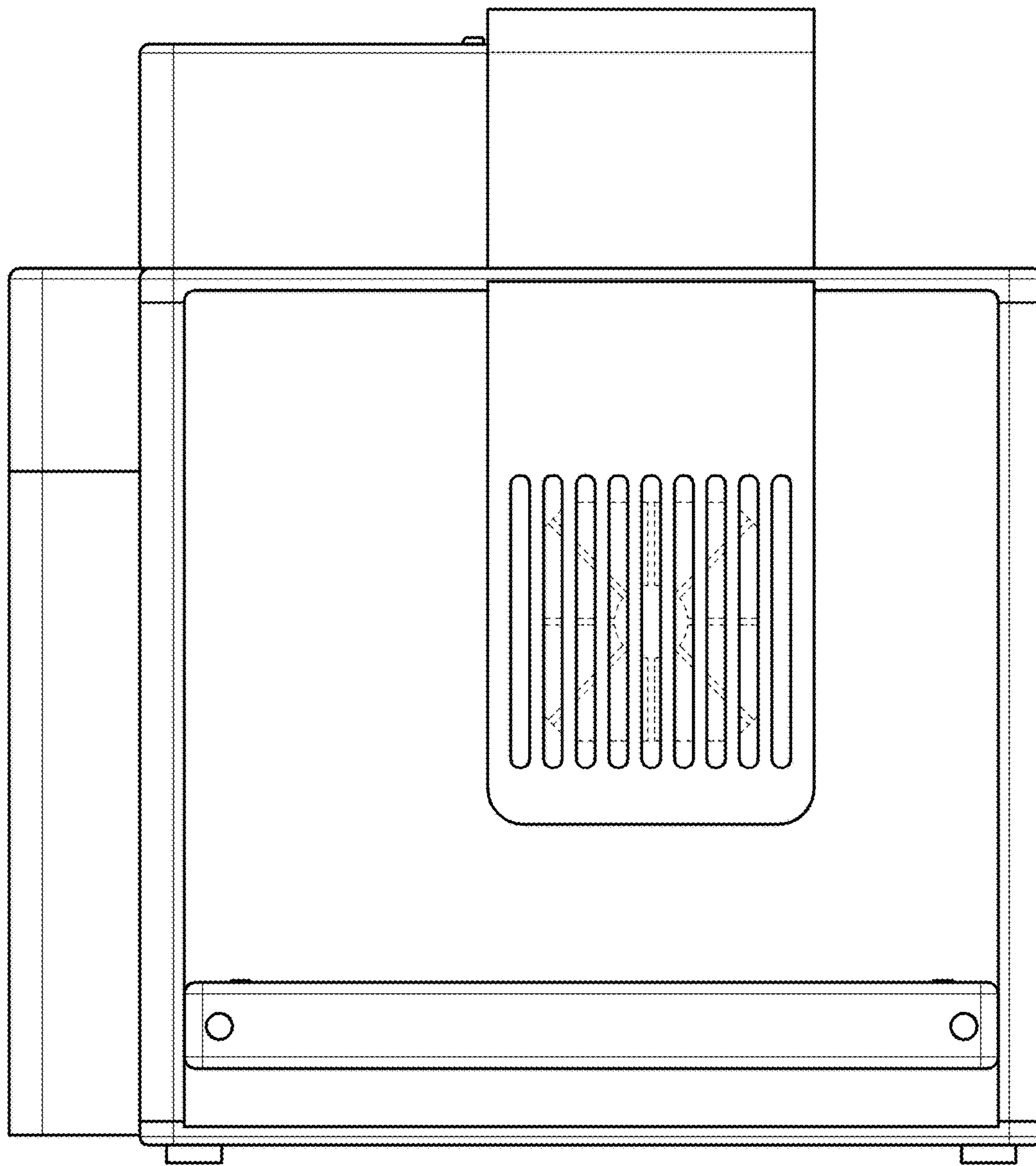


Fig. 4

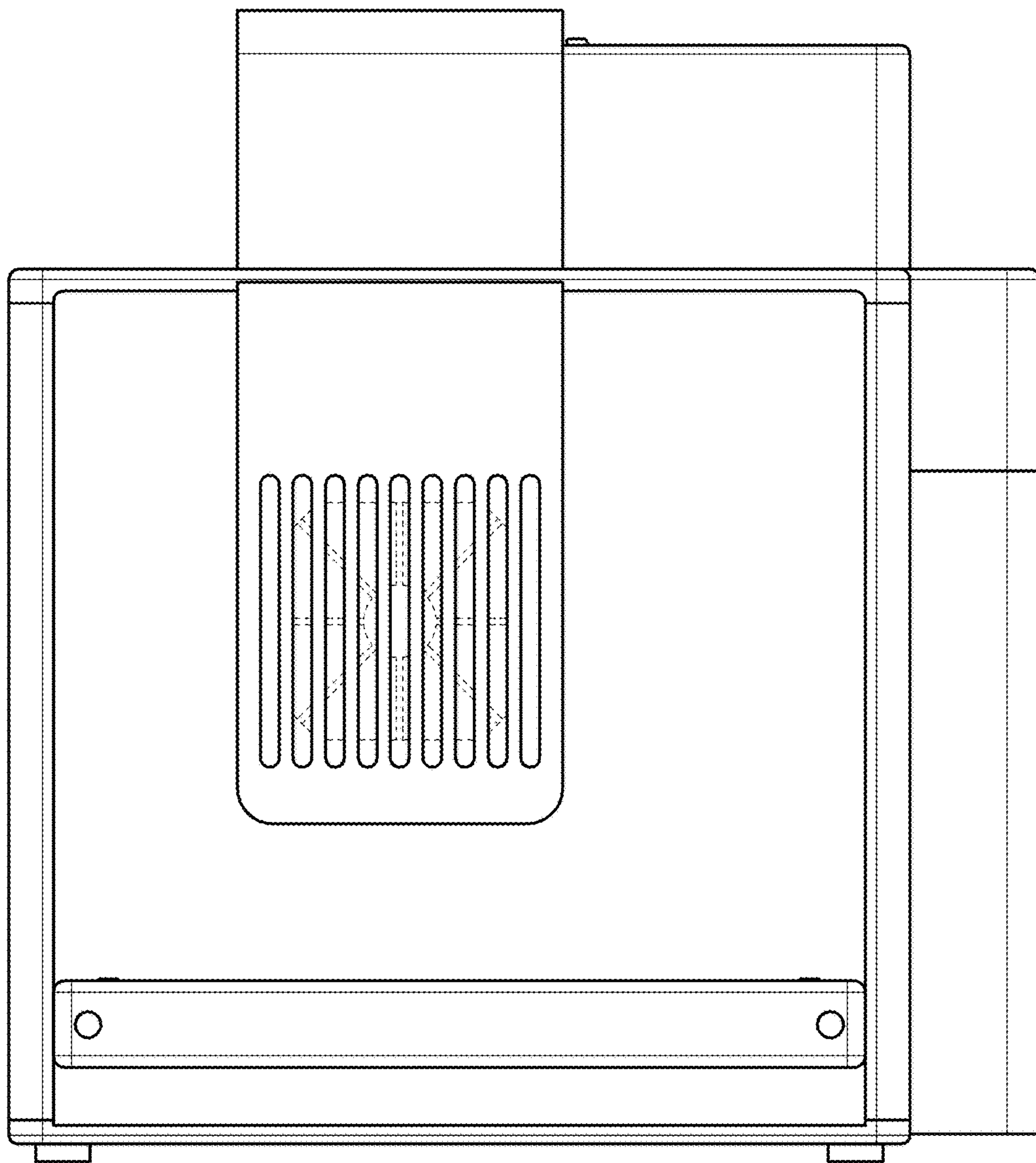


Fig. 5

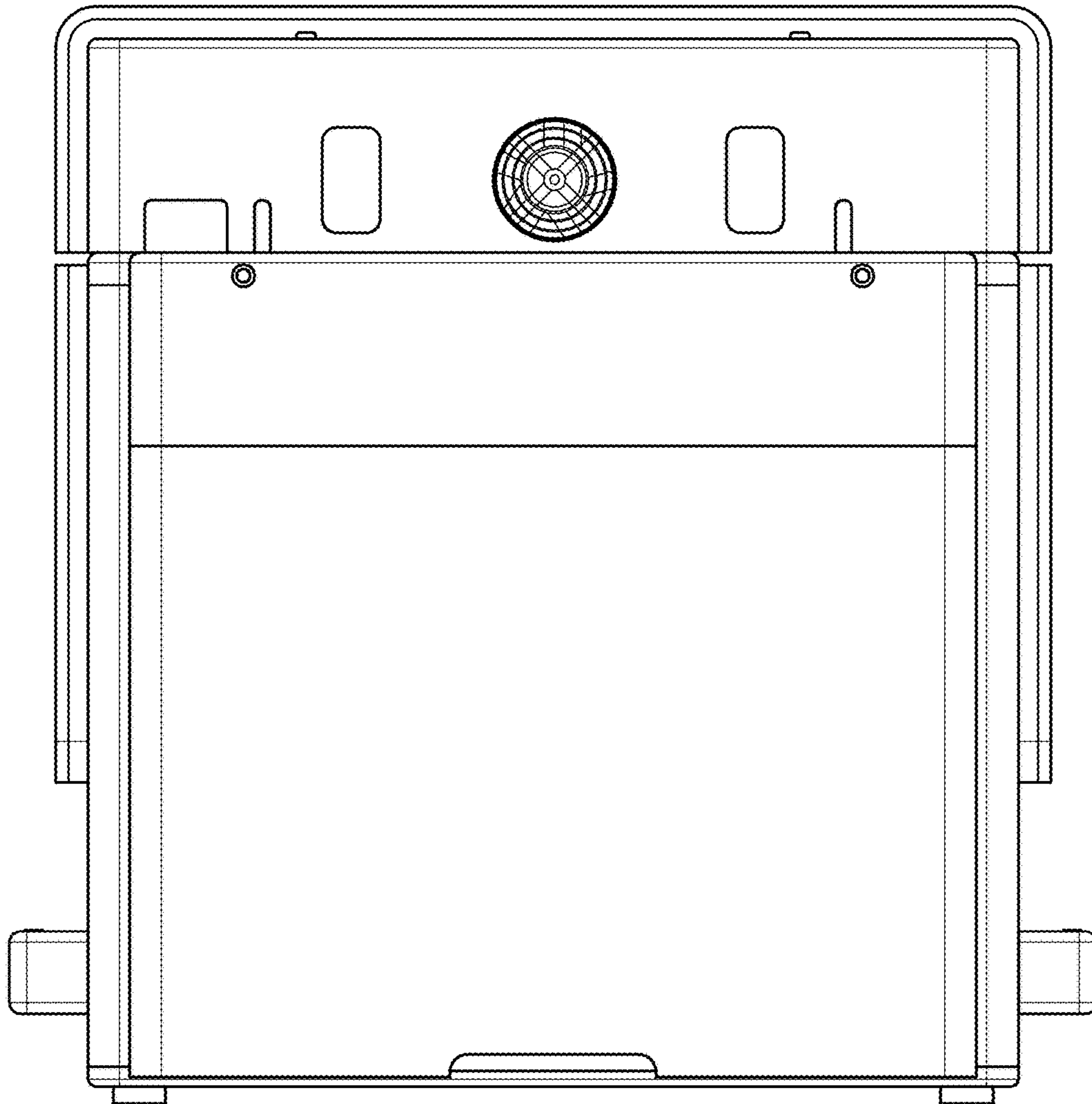


Fig. 6

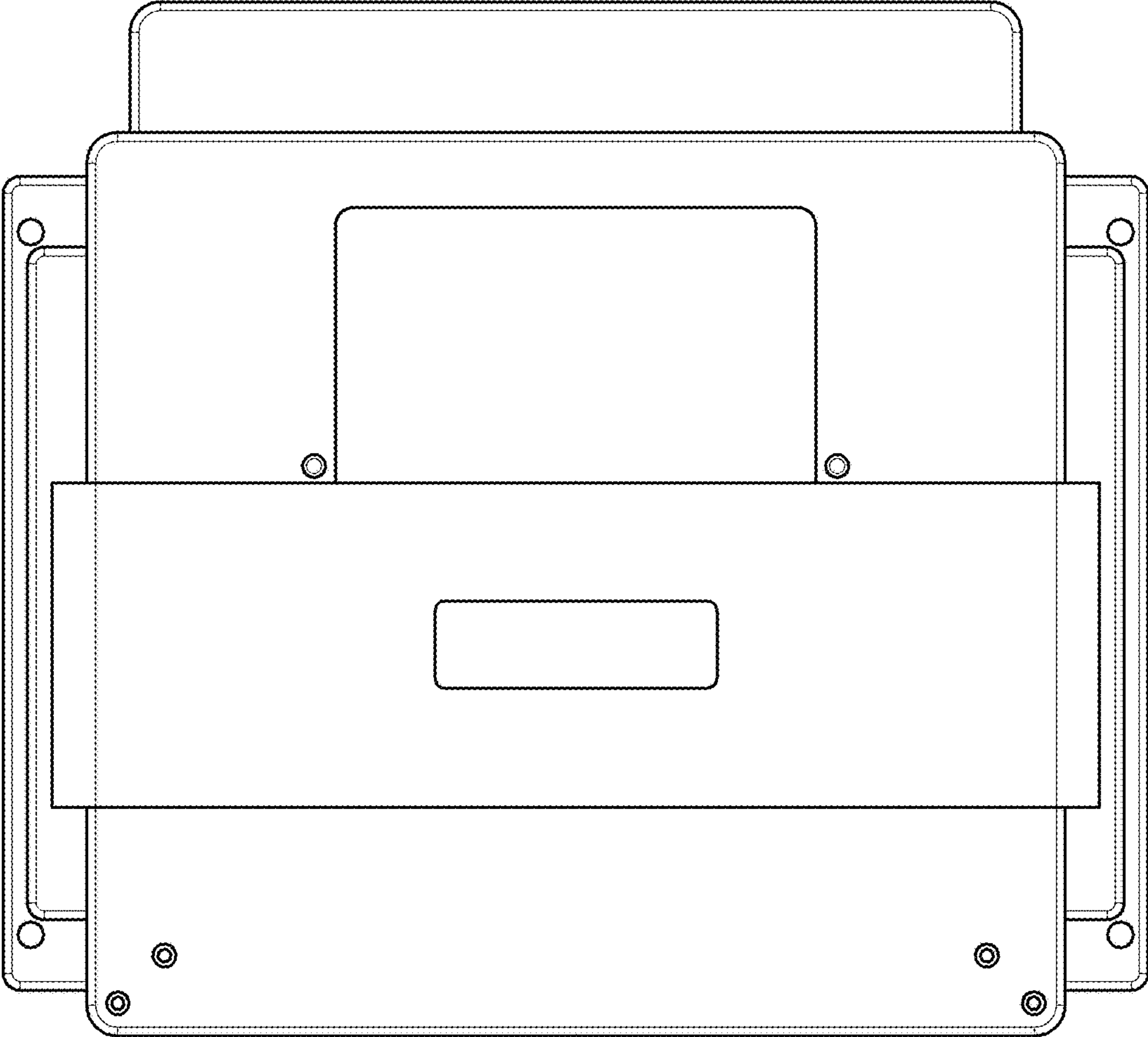


Fig. 7

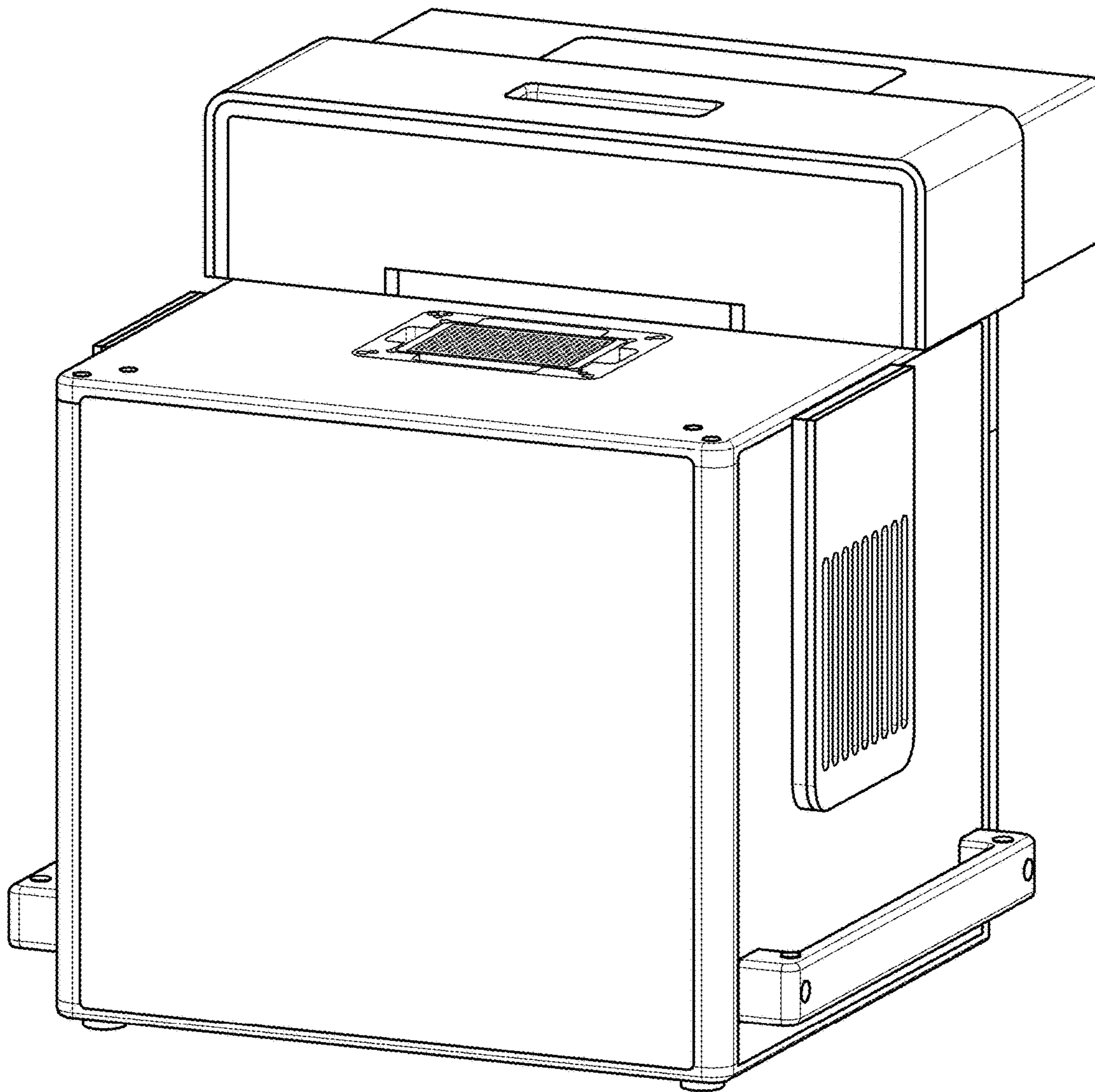


Fig. 8

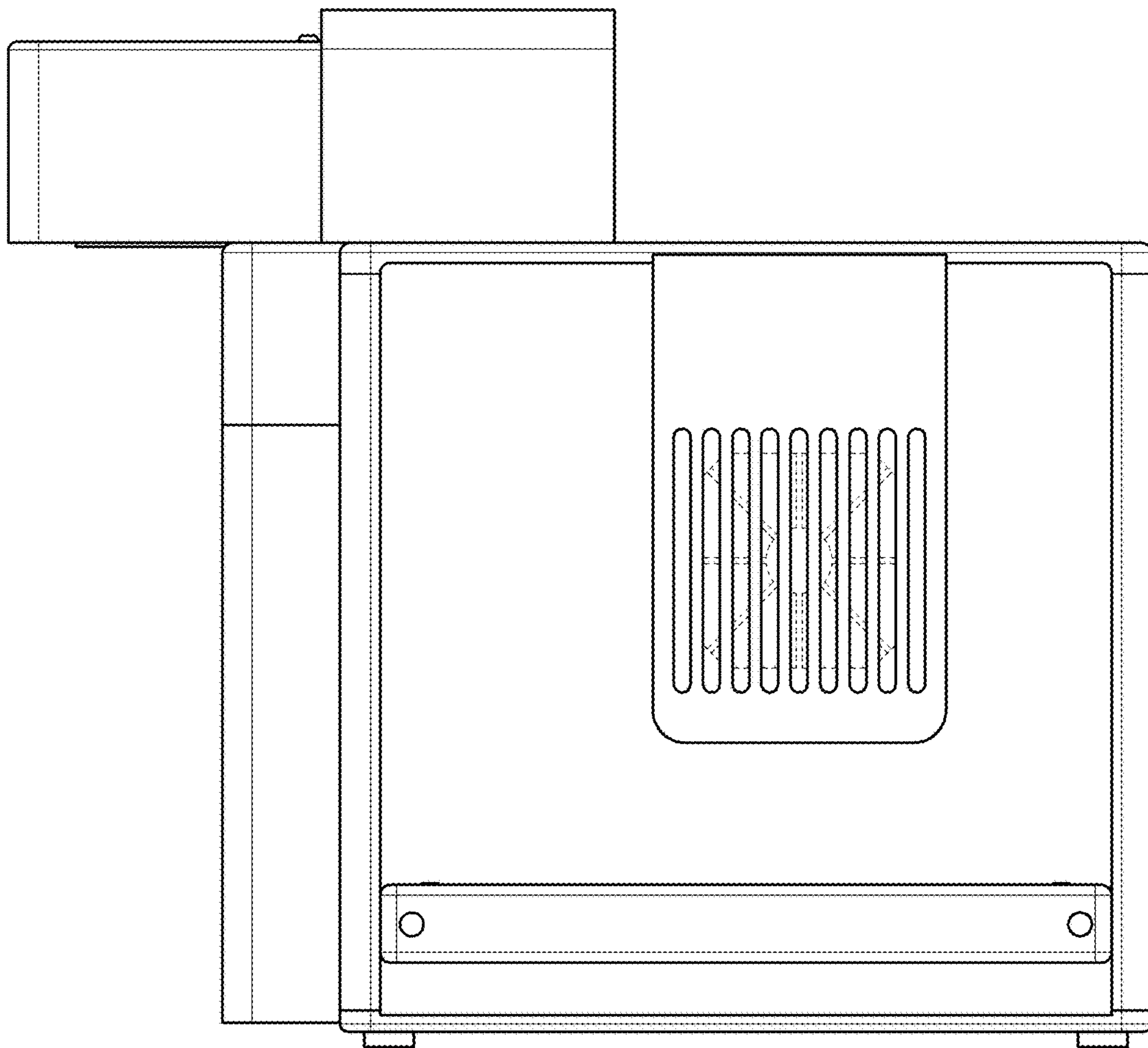


Fig. 9

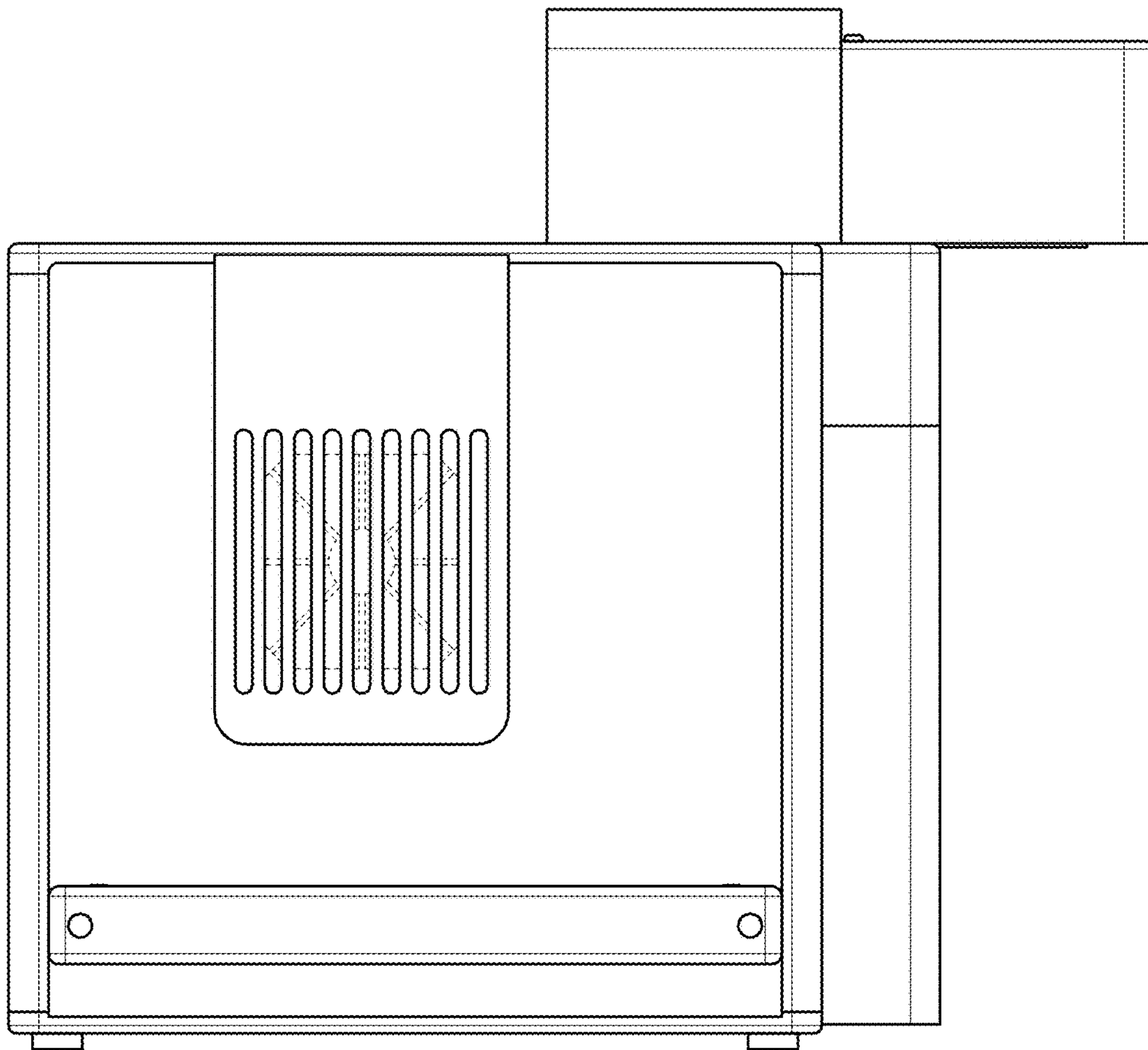


Fig. 10

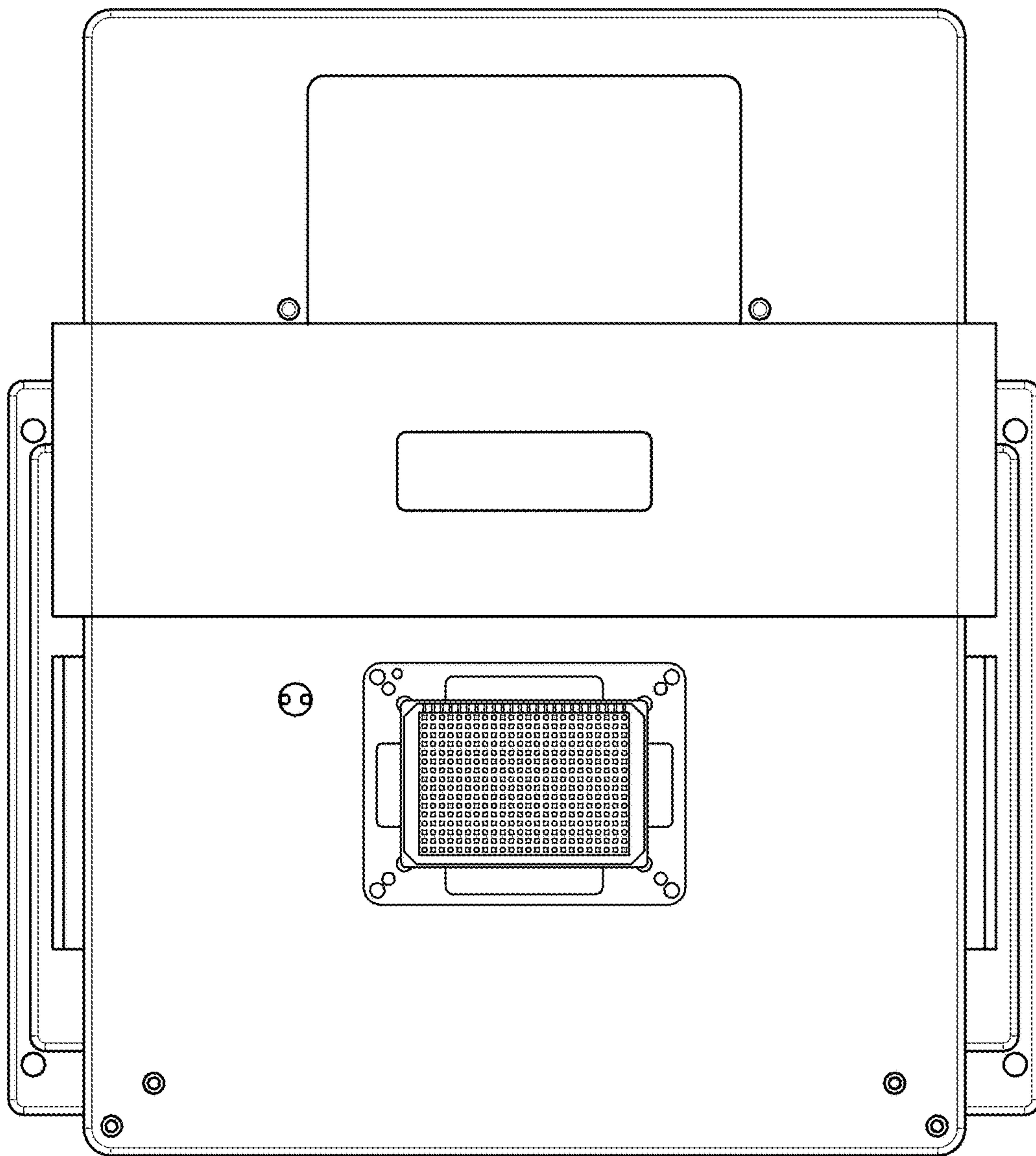


Fig. 11