



US00D780933S

(12) **United States Design Patent** (10) **Patent No.:** **US D780,933 S**
Uchida et al. (45) **Date of Patent:** **** Mar. 7, 2017**

(54) **SKIN TREATMENT APPARATUS**
(71) Applicant: **Panasonic Intellectual Property Management Co., Ltd., Osaka (JP)**
(72) Inventors: **Ryota Uchida, Tokyo (JP); Nao Tamura, New York, NY (US)**
(73) Assignee: **Panasonic Intellectual Property Management Co., Ltd., Osaka (JP)**
(**) Term: **15 Years**

(21) Appl. No.: **29/549,372**
(22) Filed: **Dec. 22, 2015**
(51) **LOC (10) Cl.** **28-03**
(52) **U.S. Cl.**
USPC **D24/200**
(58) **Field of Classification Search**
USPC D24/200, 214–215
CPC A61B 5/441; A61B 5/442; A61B 5/443;
A61B 5/444; A61B 5/445; A61B 18/203;
A61N 5/0616; A61N 5/062; A61N
5/0613; A61N 2005/0644; A61F 7/007;
A61F 2007/0086; A61F 2007/0087
See application file for complete search history.

(56) **References Cited**
U.S. PATENT DOCUMENTS
6,001,070 A * 12/1999 Gebhard A61F 7/007
601/15
D637,309 S * 5/2011 Park D24/215
D726,926 S * 4/2015 Matsushita D24/200
D759,256 S * 6/2016 Chen D24/200
D759,831 S * 6/2016 Levi D24/200
2007/0038206 A1 * 2/2007 Altshuler A61N 5/0616
606/20

2016/0058509 A1* 3/2016 Van De Wouw A61B 18/203
606/9
2016/0106505 A1* 4/2016 Speelpenning A61N 5/0616
606/131
2016/0287333 A1* 10/2016 Morrison A61B 18/203

FOREIGN PATENT DOCUMENTS

CN 201230202563.0 9/2012
CN 201330312440.7 12/2013
EM 002371435-0001 * 12/2013
JP D1220879 10/2004
JP D1386055 4/2010
JP D1521735 4/2015

* cited by examiner

Primary Examiner — Wan Laymon
(74) *Attorney, Agent, or Firm* — Panasonic IP Management; Kerry S. Culpepper

(57) **CLAIM**

The ornamental design for a skin treatment apparatus, as shown and described.

DESCRIPTION

FIG. 1 is a front perspective view of a skin treatment apparatus of the present invention; FIG. 2 is a rear perspective view; FIG. 3 is a front view; FIG. 4 is a rear view; FIG. 5 is a first side view; FIG. 6 is a second side view; FIG. 7 is a top view; and, FIG. 8 is a bottom view. The broken line showing of skin treatment apparatus is included for the purpose of illustrating environment and forms no part of the claimed design.

1 Claim, 8 Drawing Sheets

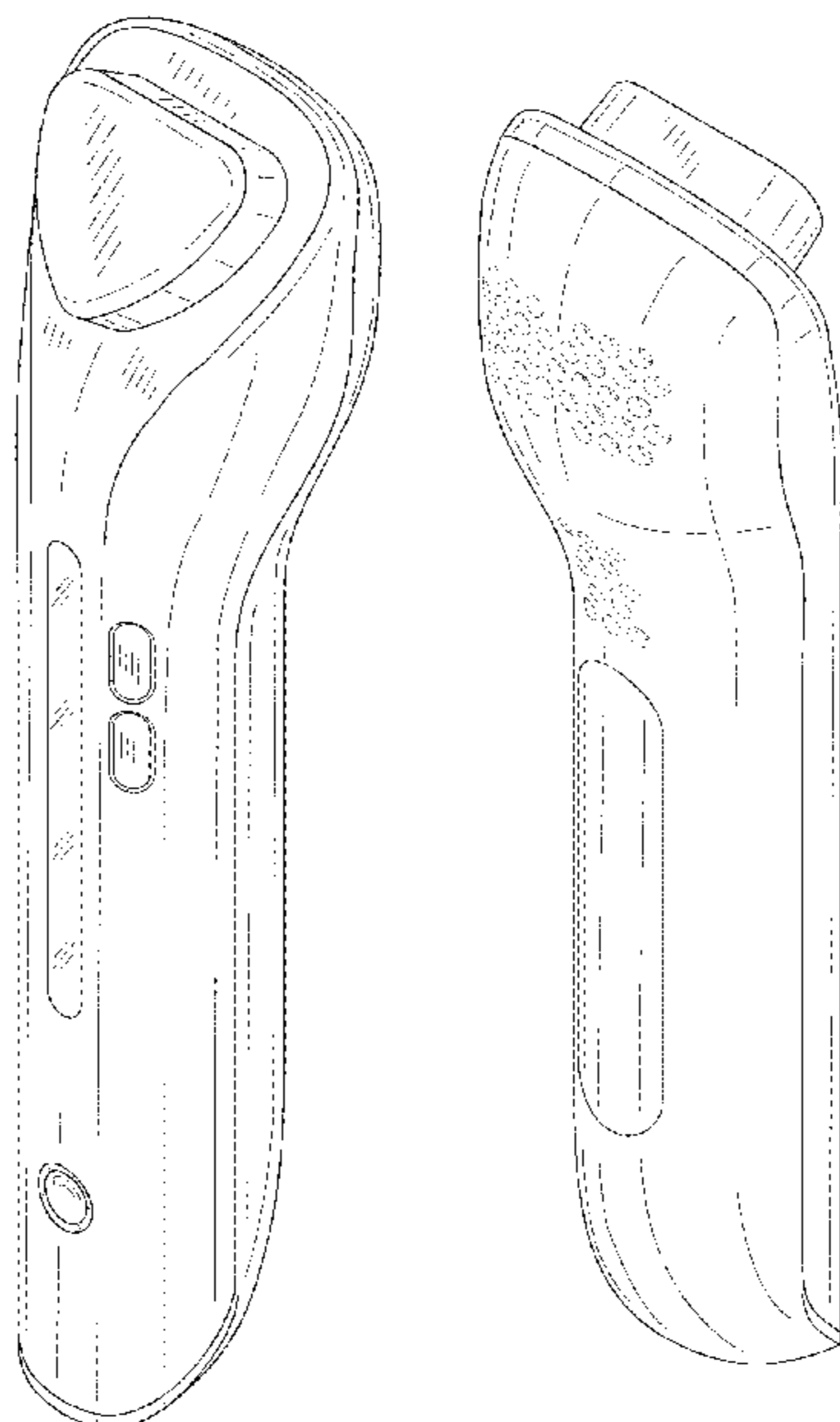


FIG. 1

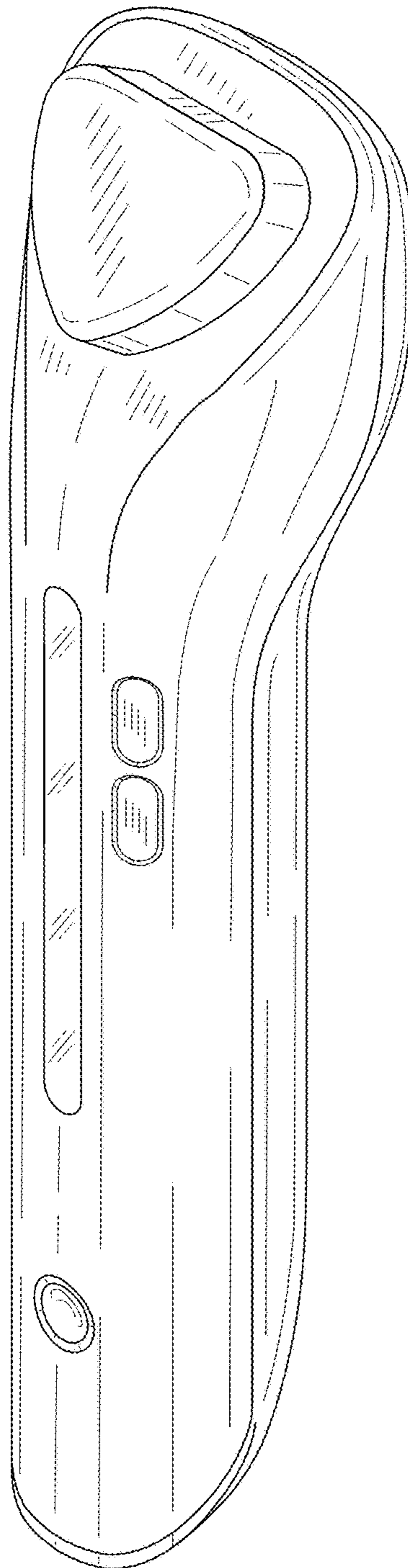


FIG. 2

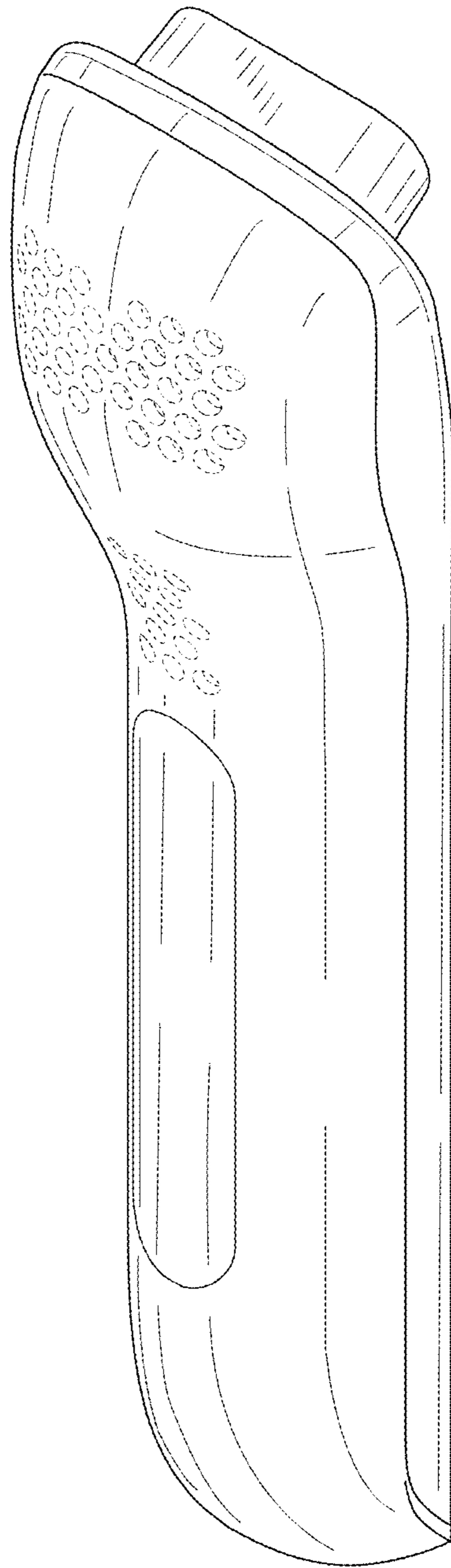


FIG. 3

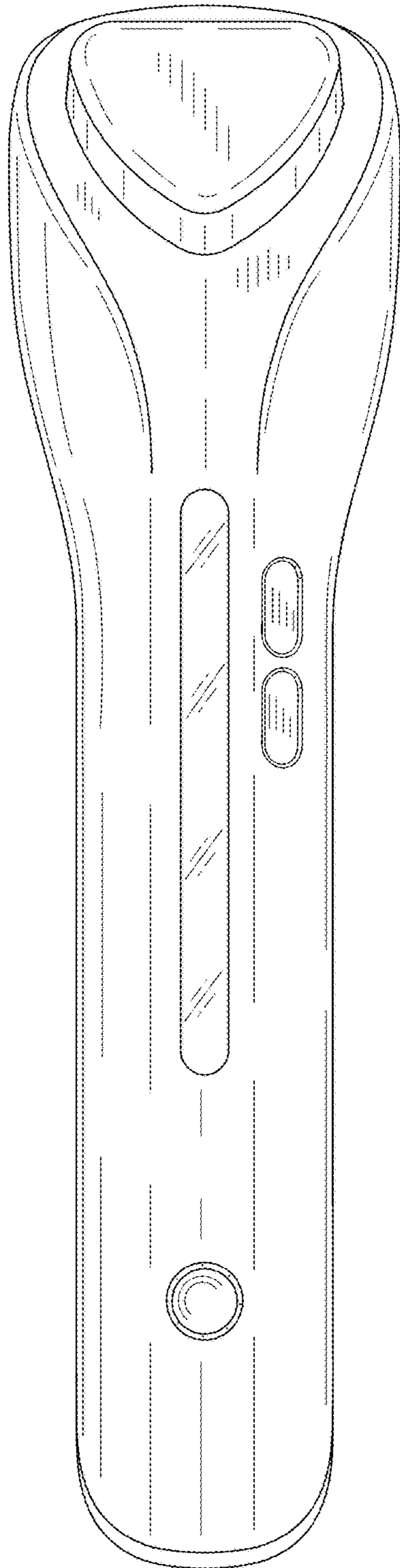


FIG. 4

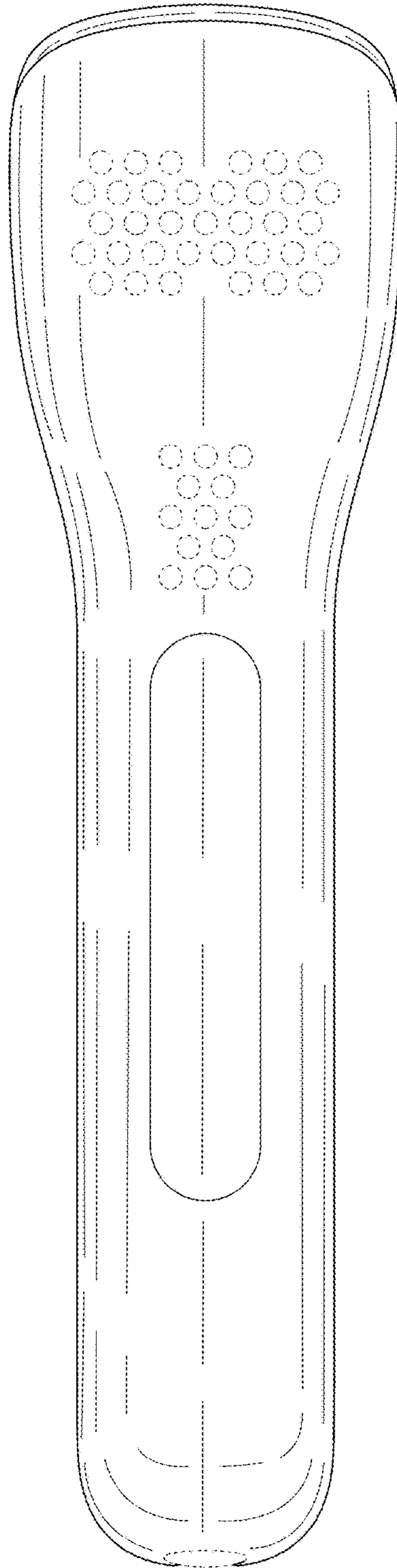


FIG. 5

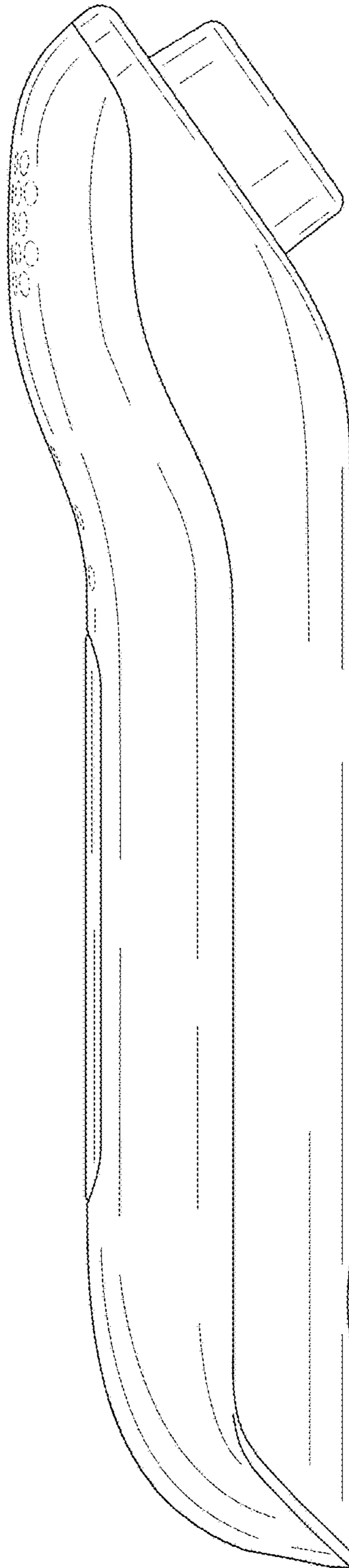


FIG. 6

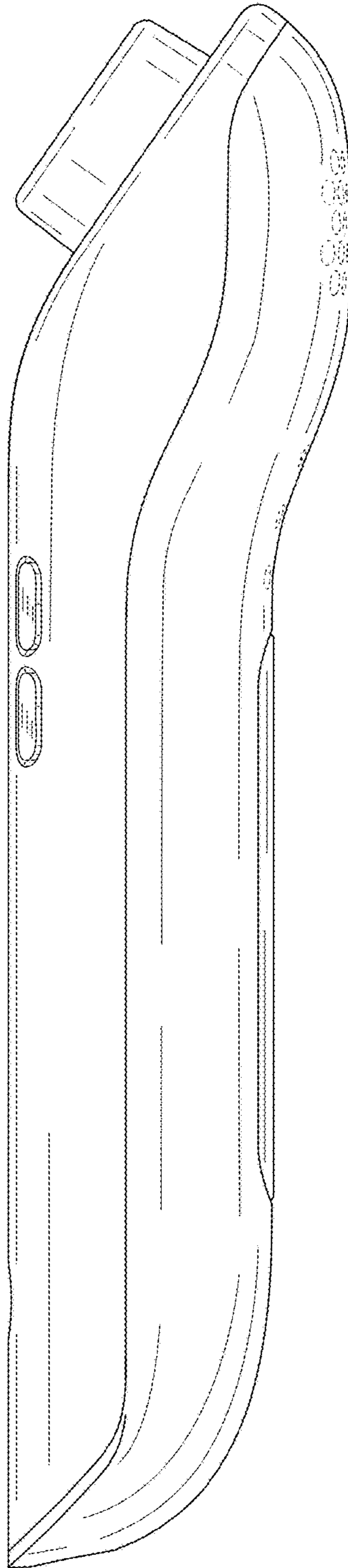


FIG. 7

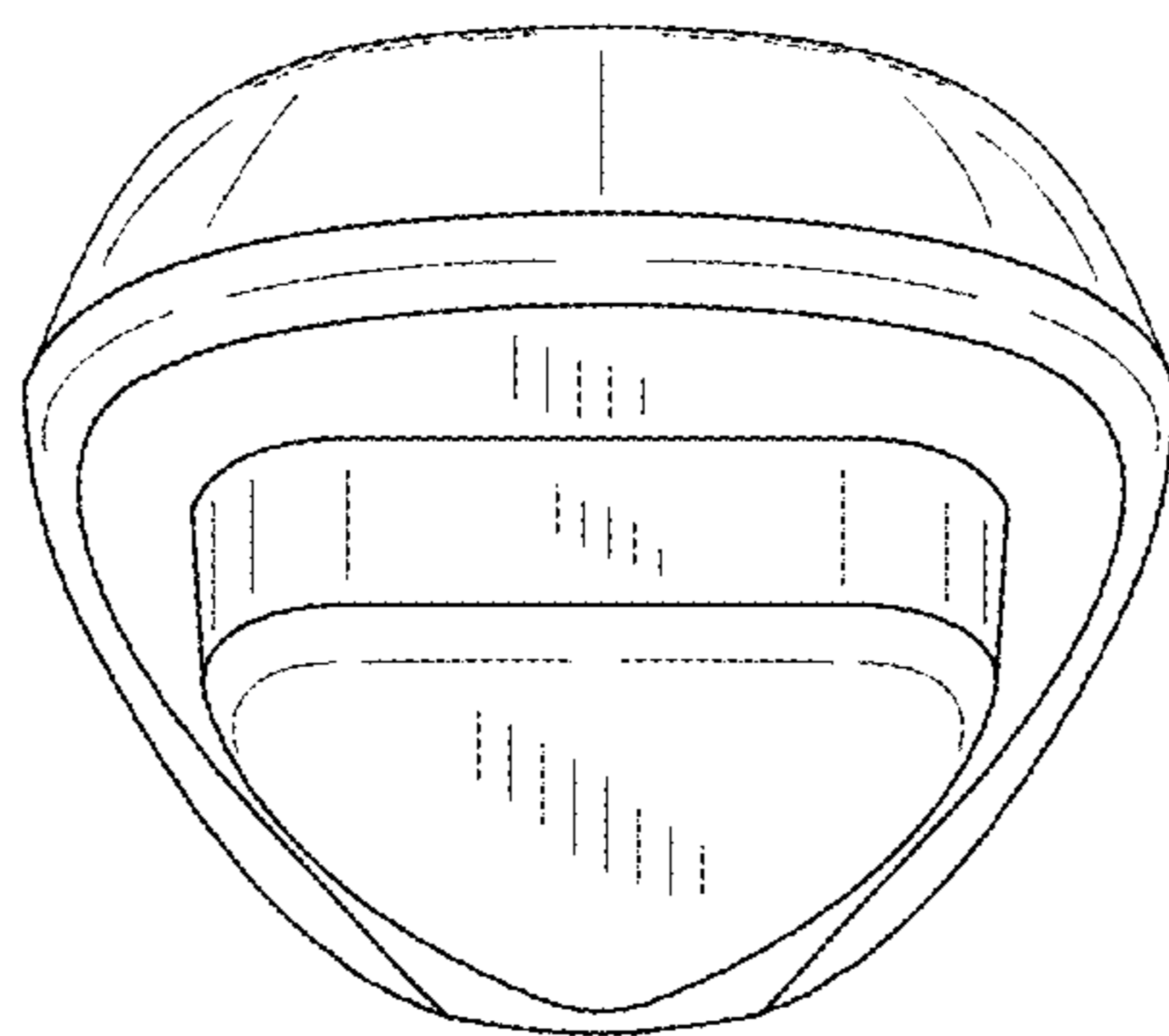


FIG. 8

