



US00D780929S

(12) **United States Design Patent**  
**Nurminen**

(10) **Patent No.:** **US D780,929 S**  
(45) **Date of Patent:** **\*\* Mar. 7, 2017**

(54) **MEDICAL EQUIPMENT COMPONENT**

(71) Applicant: **Ari Nurminen**, Lahti (FI)

(72) Inventor: **Ari Nurminen**, Lahti (FI)

(73) Assignee: **MERIVAARA OY**, Lahti (FI)

(\*\*) Term: **14 Years**

(21) Appl. No.: **29/491,164**

(22) Filed: **May 19, 2014**

(30) **Foreign Application Priority Data**

Nov. 19, 2013 (EM) ..... 002348318-0001  
Nov. 19, 2013 (EM) ..... 002348318-0002  
Nov. 19, 2013 (EM) ..... 002348318-0004

(51) **LOC (10) Cl.** ..... **24-01**

(52) **U.S. Cl.**  
USPC ..... **D24/184**

(58) **Field of Classification Search**

USPC ..... D24/183, 184, 200, 127, 171, 185, 158;  
D6/418, 366, 601; 5/636, 640, 632, 622,  
5/623; 128/845, 846, 869, 849; 602/16;  
248/118.1, 118.3, 230.2, 118, 118.5,  
248/279.1, 125.9; D12/421  
CPC ... A61B 1/0051; A61B 1/00142; A61B 19/08;  
A61B 19/081  
See application file for complete search history.

(56) **References Cited**

**U.S. PATENT DOCUMENTS**

3,633,901 A \* 1/1972 Lindquist ..... A61G 13/02  
108/141  
3,797,819 A \* 3/1974 Platz ..... A61G 13/06  
108/147

4,003,341 A \* 1/1977 La Croix ..... A61D 3/00  
119/756  
4,459,941 A \* 7/1984 Moffatt ..... A61D 3/00  
119/722  
5,156,166 A \* 10/1992 Sebring ..... A61B 6/0457  
378/209  
6,532,609 B2 \* 3/2003 Taylor ..... A61G 13/009  
108/29  
8,210,109 B1 \* 7/2012 Dewees ..... A47B 9/10  
108/147  
2006/0053557 A1 \* 3/2006 Damron ..... A61G 13/121  
5/640

\* cited by examiner

*Primary Examiner* — Zenia Bennett

(74) *Attorney, Agent, or Firm* — Klauber & Jackson LLC

(57) **CLAIM**

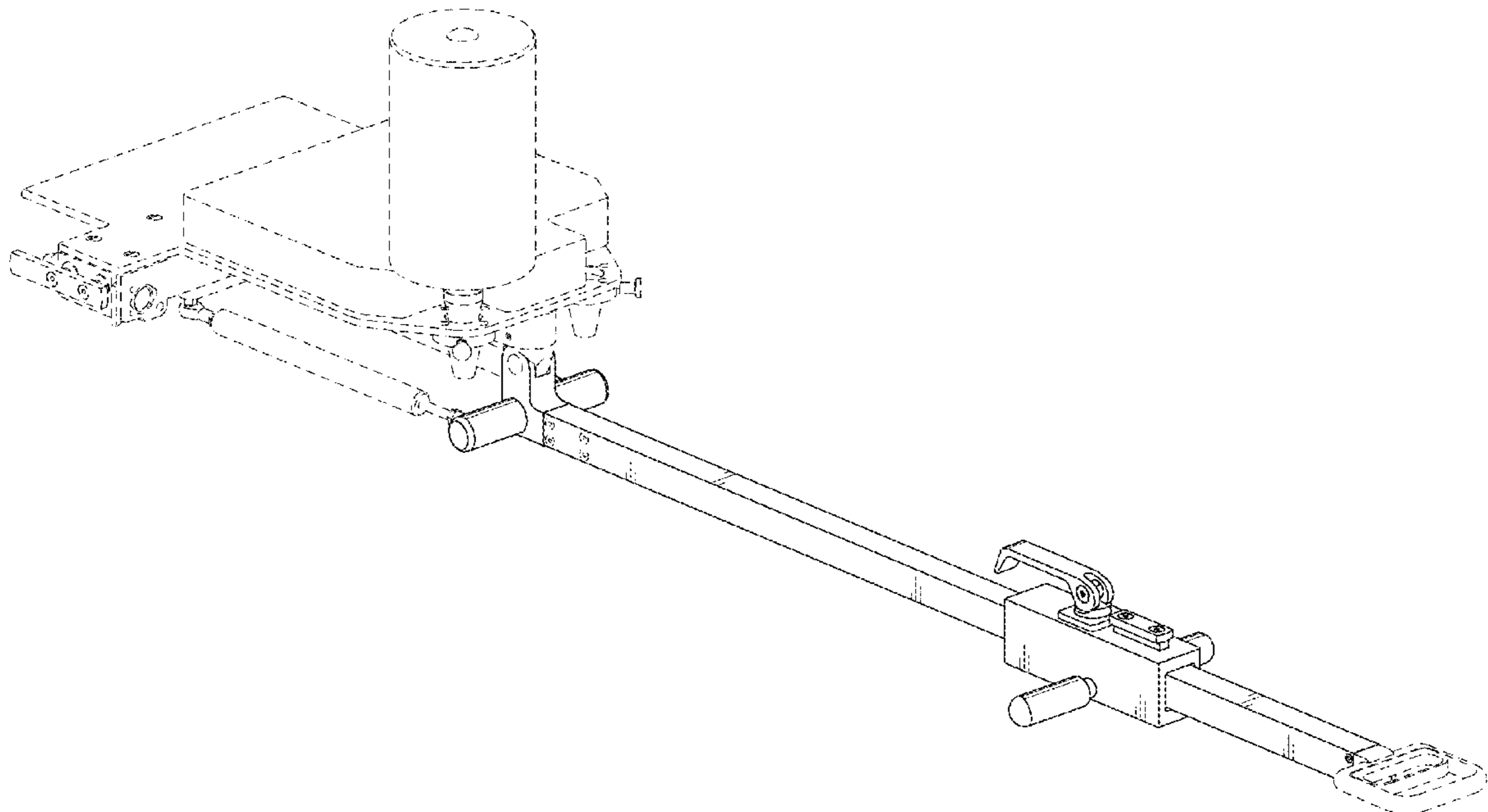
The ornamental design for a medical equipment component, as shown and described.

**DESCRIPTION**

FIG. 1 is a perspective view showing the top, front and right side of the medical equipment component of my new design; FIG. 2 is a perspective view like that of FIG. 1 showing the bottom, front and right side thereof; FIG. 3 is a perspective view showing the top, front and left side thereof; FIG. 4 is a right side view thereof; FIG. 5 is a left side view thereof; FIG. 6 is a bottom view thereof; and, FIG. 7 is a top view thereof.

The broken lines in the drawing are for illustrative purposes only and form no part of the claimed design.

**1 Claim, 7 Drawing Sheets**



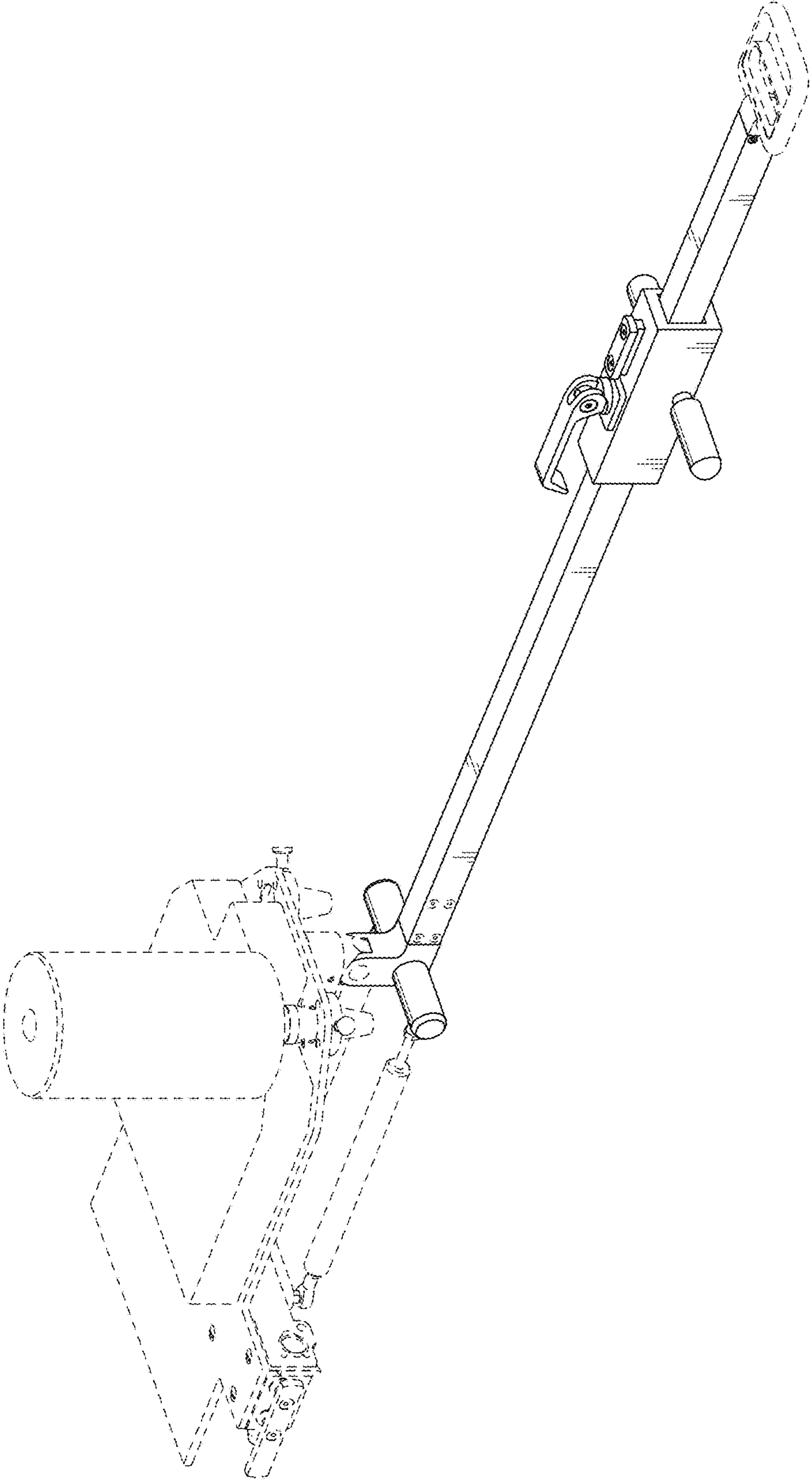


FIG. 1

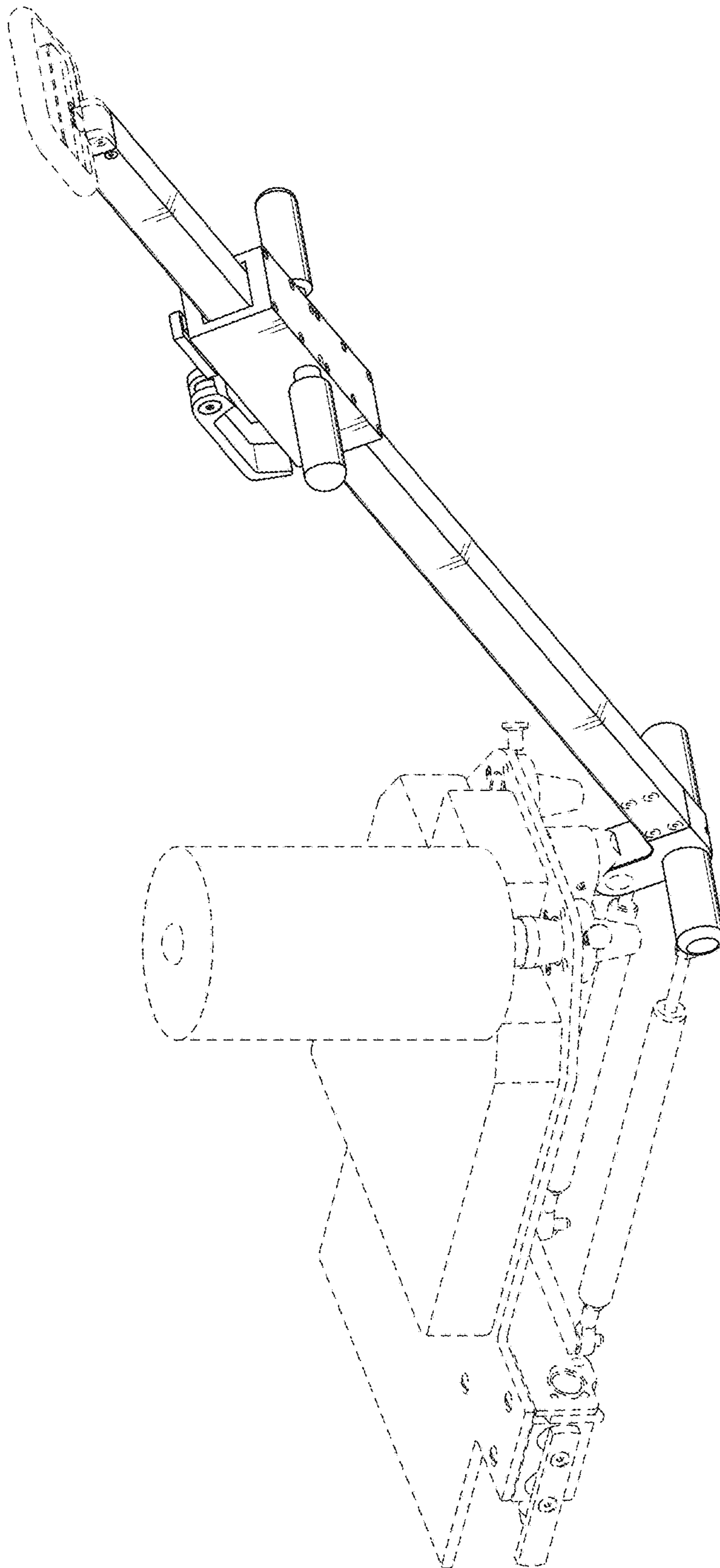


FIG. 2

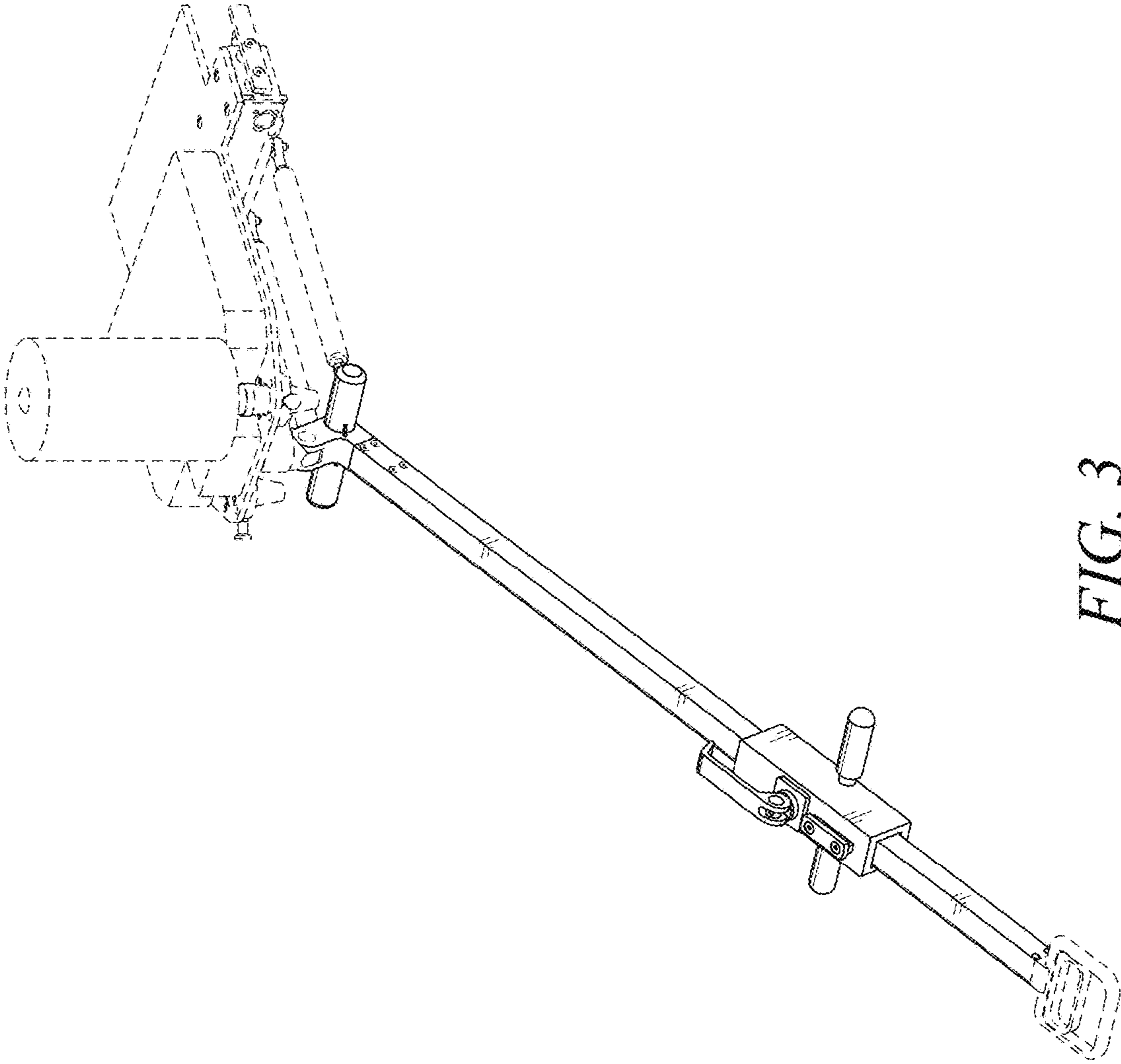


FIG. 3

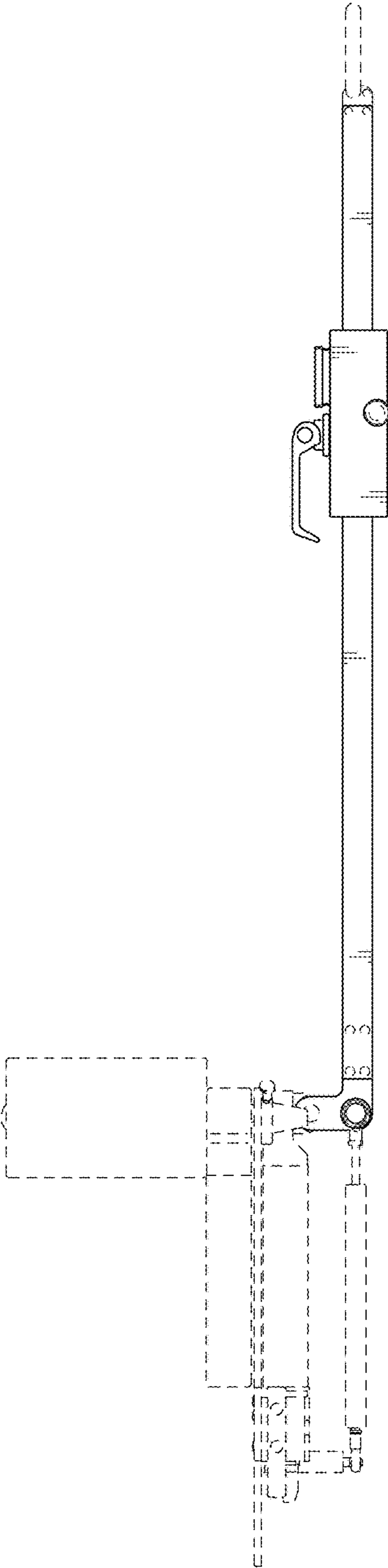


FIG. 4

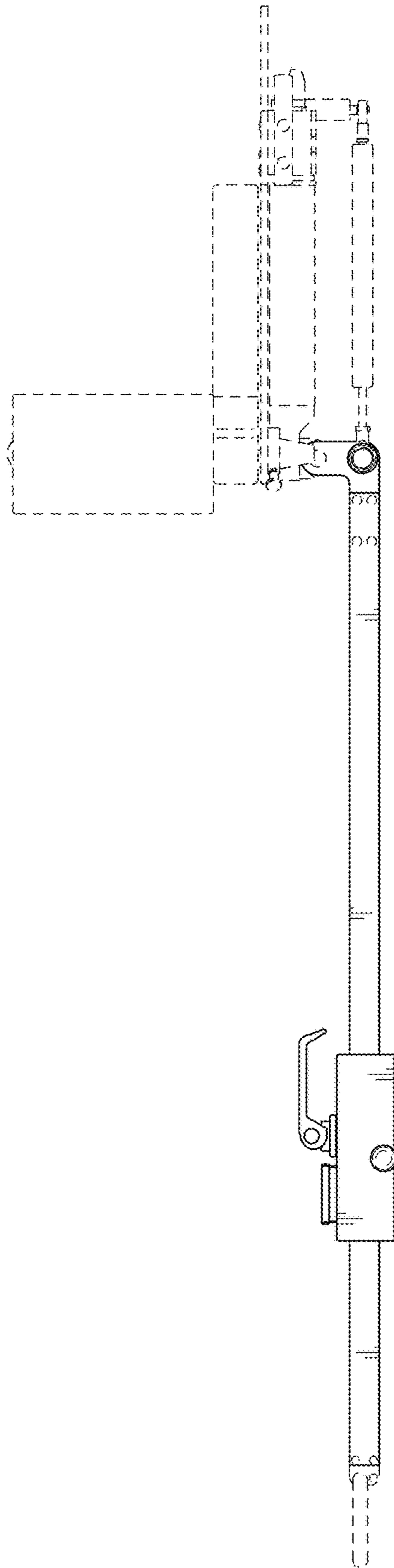


FIG. 5

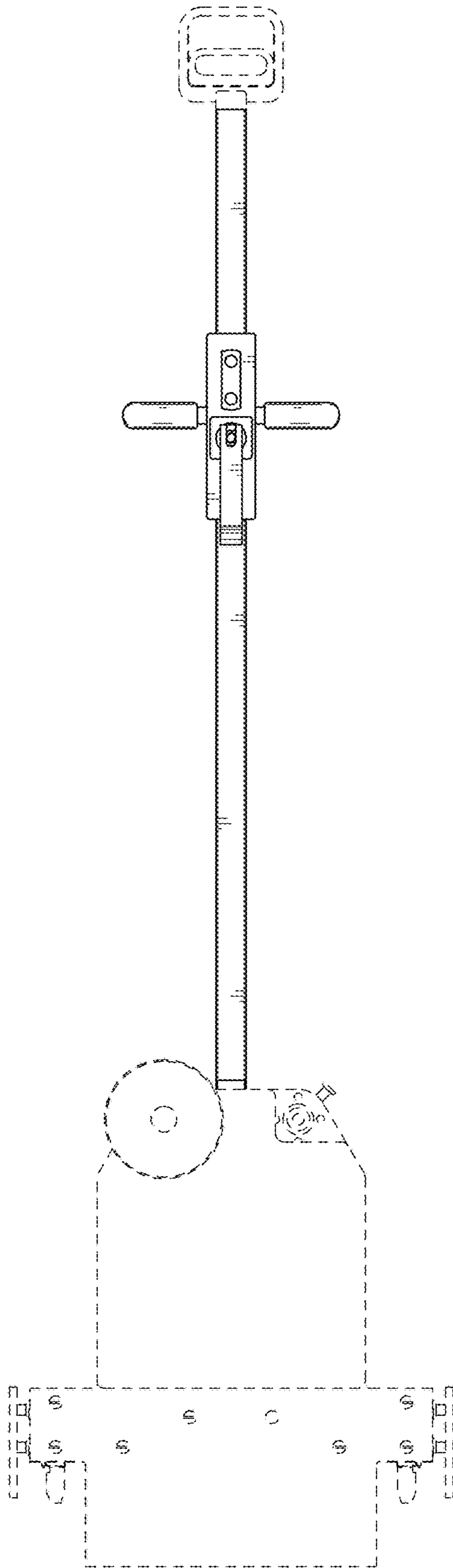


FIG. 6

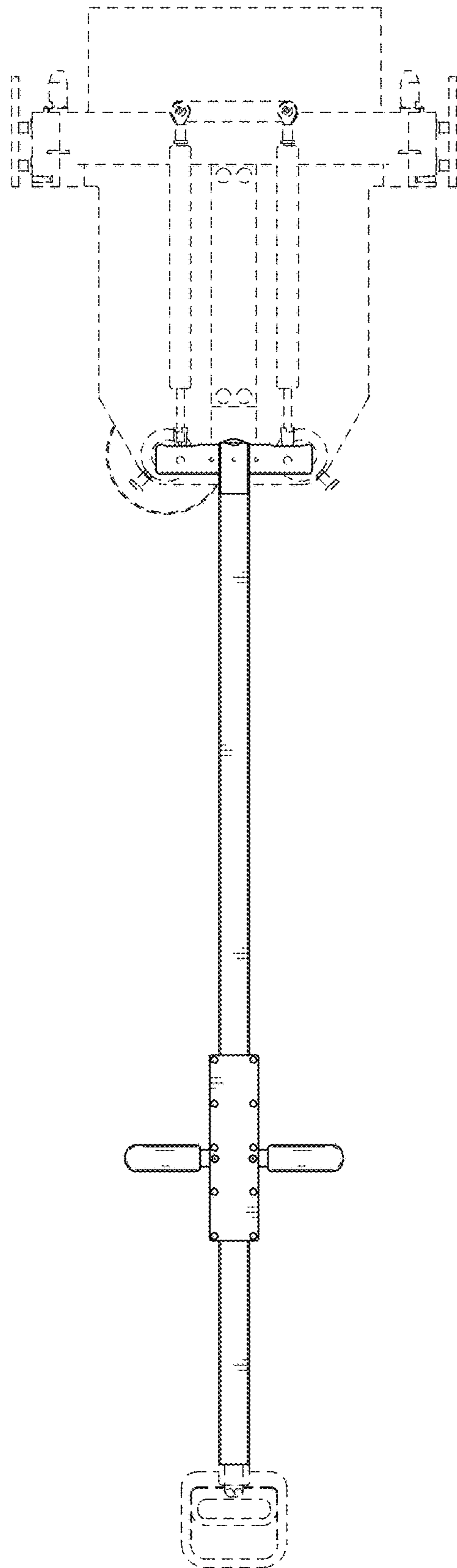


FIG. 7