



US00D780926S

(12) **United States Design Patent** (10) **Patent No.:** **US D780,926 S**
DaCosta (45) **Date of Patent:** **** Mar. 7, 2017**

(54) **BONE PLATE**

(56) **References Cited**

(71) Applicant: **PARAGON 28, INC.**, Englewood, CO (US)

U.S. PATENT DOCUMENTS

(72) Inventor: **Albert DaCosta**, Lone Tree, CO (US)

5,938,664 A * 8/1999 Winquist A61B 17/8061
606/283

(73) Assignee: **PARAGON 28, INC.**, Englewood, CO (US)

D443,060 S 5/2001 Benirschke et al.

D458,684 S 6/2002 Bryant et al.

D463,559 S 9/2002 Bryant et al.

D469,533 S 1/2003 Bryant et al.

D469,874 S 2/2003 Bryant et al.

D469,875 S 2/2003 Bryant et al.

D480,141 S 9/2003 Benirschke et al.

7,655,029 B2 2/2010 Niederberger et al.

D622,853 S 8/2010 Raven, III

7,846,189 B2 12/2010 Winquist et al.

D630,750 S 1/2011 Graham et al.

8,460,344 B2 6/2013 Niederberger et al.

(**) Term: **15 Years**

(21) Appl. No.: **29/574,597**

(22) Filed: **Aug. 17, 2016**

(Continued)

Related U.S. Application Data

Primary Examiner — Charles Hanson

(63) Continuation of application No. 29/520,414, filed on Mar. 13, 2015, now Pat. No. Des. 766,439.

(74) *Attorney, Agent, or Firm* — Heslin Rothenberg Farley & Mesiti P.C.; John W. Boger

(51) **LOC (10) Cl.** **24-02**

(57) **CLAIM**

The ornamental design for a bone plate, as shown and described.

(52) **U.S. Cl.**

DESCRIPTION

USPC **D24/155**

(58) **Field of Classification Search**

USPC D24/155–157

CPC A61B 17/8061; A61B 17/7059; A61B

17/8052; A61B 17/8605; A61B 17/8085;

A61B 17/809; A61B 17/8014; A61B

17/8033; A61B 17/8004; A61B 17/888;

A61B 17/842; A61B 17/8023; A61B

17/8009; A61B 17/86; A61B

17/1739; A61B 17/8066; A61B 17/1671;

A61B 17/1757; A61B 17/8071; A61B

17/176; A61B 2017/1782; A61B

2017/1775

FIG. 1 is a top perspective view of a bone plate comprising the new design;

FIG. 2 is a right elevational view of the design of FIG. 1;

FIG. 3 is a left elevational view of the design of FIG. 1;

FIG. 4 is a top view of the design of FIG. 1;

FIG. 5 is a bottom view of the design of FIG. 1;

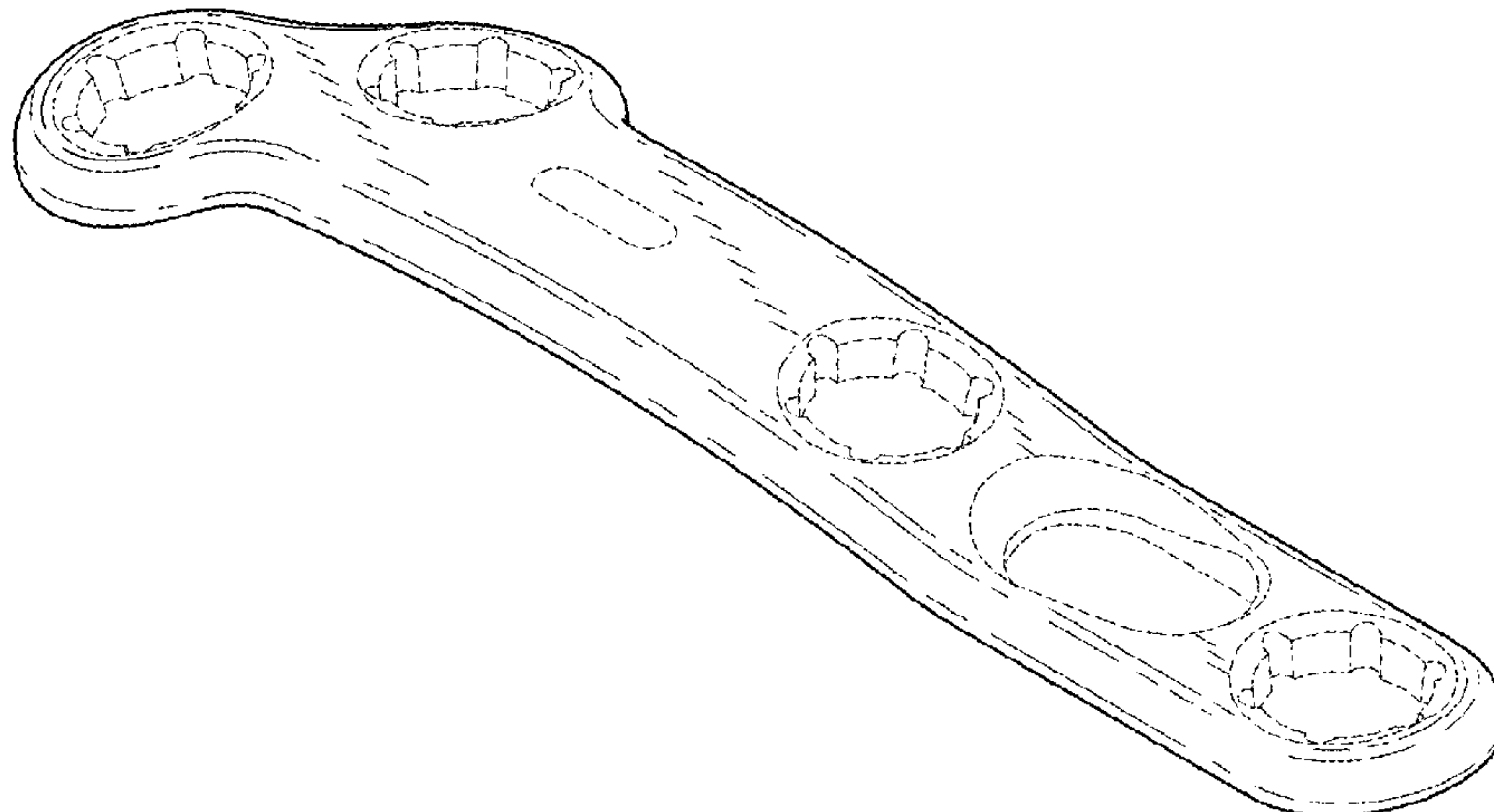
FIG. 6 is a front elevational view of the design of FIG. 1; and,

FIG. 7 is a rear elevational view of the design of FIG. 1.

The broken lines shown in the figures are directed to the environment and are for illustrative purposes only; the broken lines form no part of the claimed invention.

See application file for complete search history.

1 Claim, 2 Drawing Sheets



(56)

References Cited

U.S. PATENT DOCUMENTS

8,740,905 B2 6/2014 Price et al.
8,940,026 B2 * 1/2015 Hilse A61B 17/8014
606/282
D740,943 S * 10/2015 Neufeld D24/155
D745,162 S * 12/2015 Neufeld D24/155
9,204,912 B2 * 12/2015 Price A61B 17/1728
9,333,014 B2 * 5/2016 Gonzalez-Hernandez A61B 17/8061

D765,850 S * 9/2016 Early D24/155
D765,852 S * 9/2016 Early D24/155
D766,438 S * 9/2016 DaCosta D24/155
D766,439 S * 9/2016 DaCosta D24/155
D767,135 S * 9/2016 Paik D24/155
D767,136 S * 9/2016 Paik D24/155
2004/0225291 A1 * 11/2004 Schwammberger ... A61B 17/80
606/71

* cited by examiner

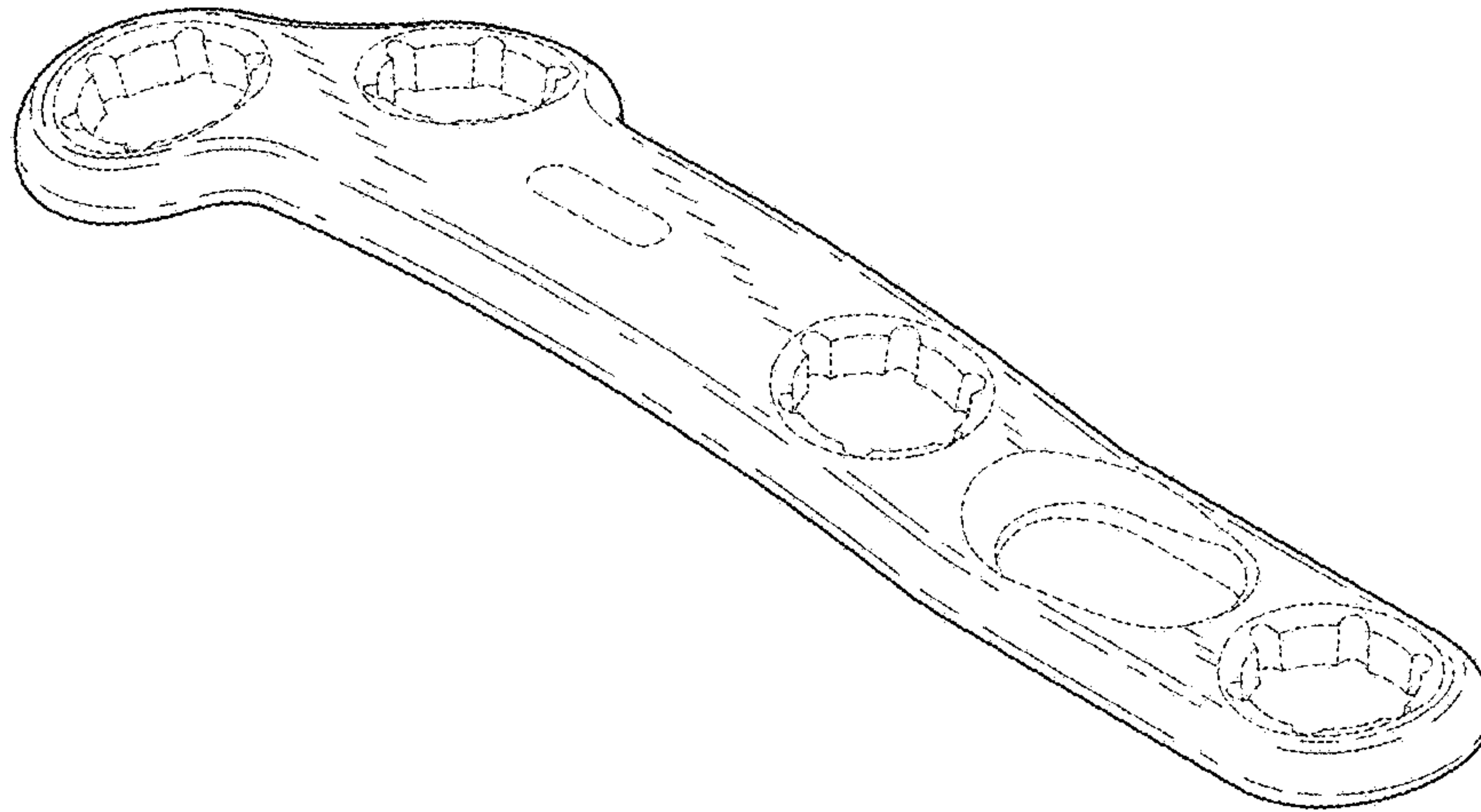


FIG. 1

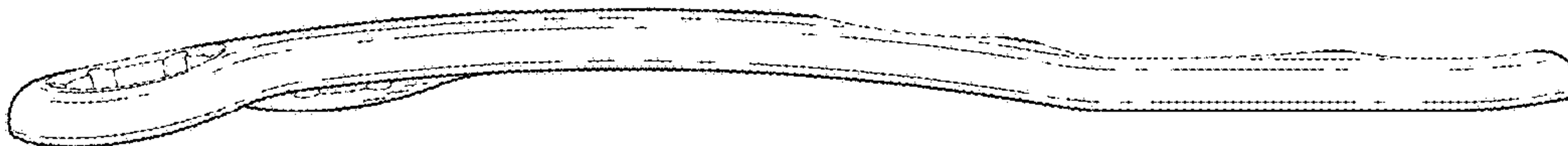


FIG. 2

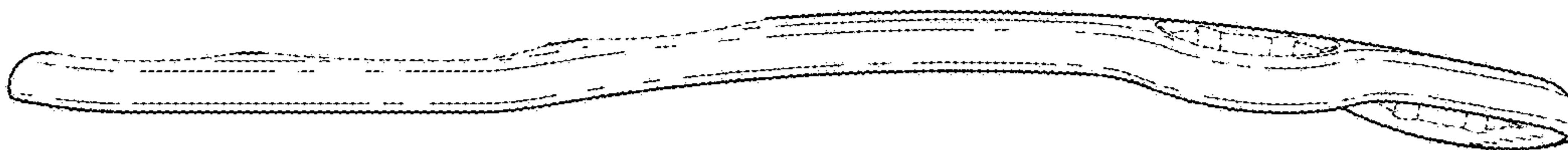


FIG. 3

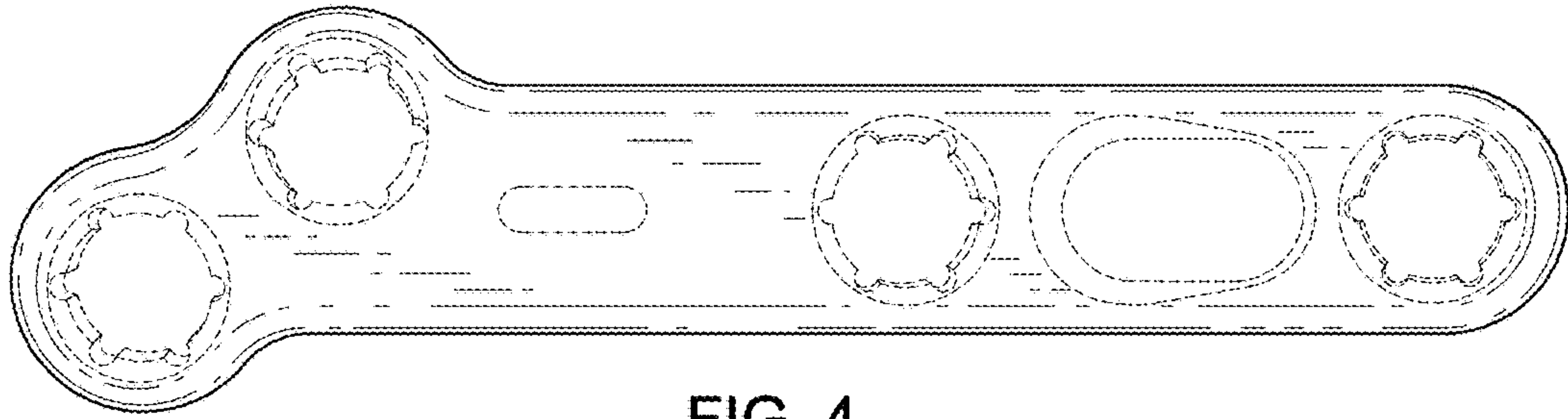


FIG. 4

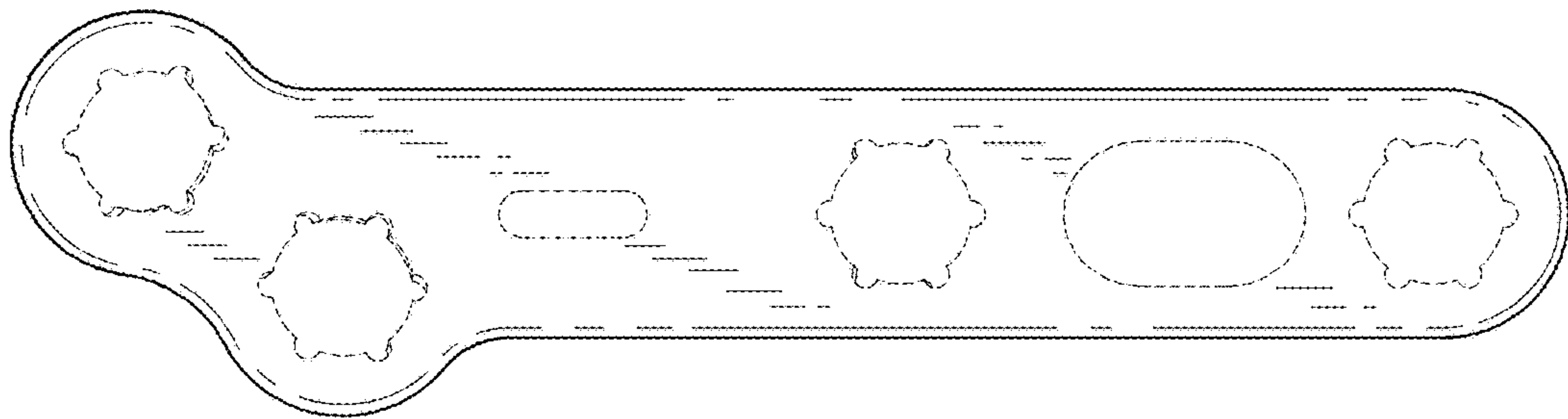


FIG. 5

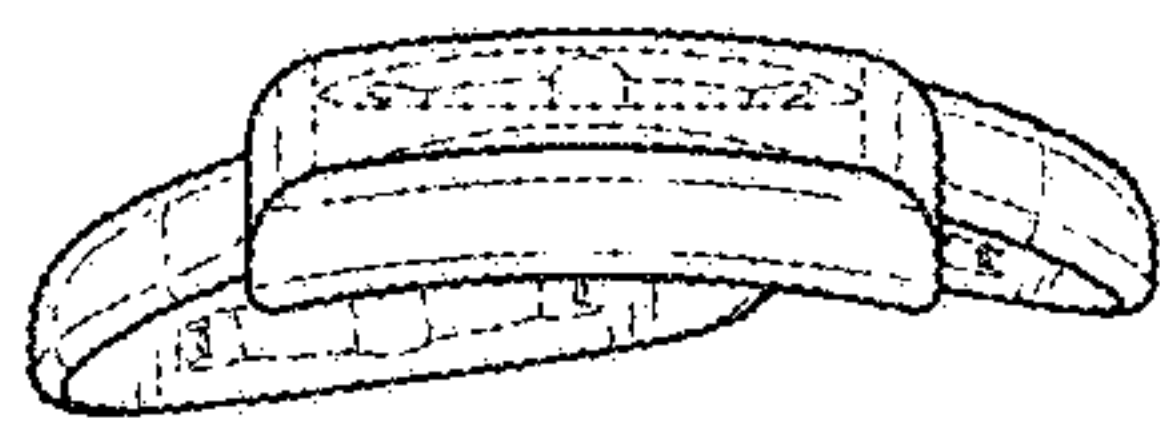


FIG. 6

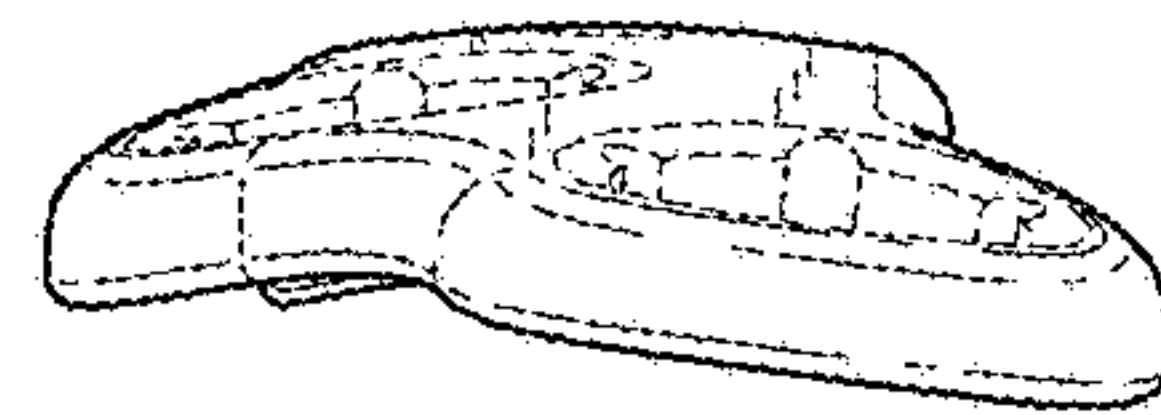


FIG. 7