



US00D780923S

(12) **United States Design Patent** (10) **Patent No.:** **US D780,923 S**
DaCosta (45) **Date of Patent:** **** Mar. 7, 2017**

(54) **BONE PLATE**

(71) Applicant: **PARAGON 28, INC.**, Englewood, CO (US)

(72) Inventor: **Albert DaCosta**, Lone Tree, CO (US)

(73) Assignee: **PARAGON 28, INC.**, Englewood, CO (US)

(**) Term: **15 Years**

(21) Appl. No.: **29/574,579**

(22) Filed: **Aug. 17, 2016**

Related U.S. Application Data

(63) Continuation of application No. 29/507,070, filed on Oct. 23, 2014, now Pat. No. Des. 766,434.

(51) **LOC (10) Cl.** **24-02**

(52) **U.S. Cl.**
USPC **D24/155**

(58) **Field of Classification Search**
USPC D24/155-157
CPC A61B 17/8061; A61B 17/7059; A61B 17/8052; A61B 17/8605; A61B 17/8085; A61B 17/809; A61B 17/8014; A61B 17/8033; A61B 17/8004; A61B 17/888; A61B 17/842; A61B 17/8023; A61B 17/8009; A61B 17/86; A61B 17/1739; A61B 17/8066; A61B 17/1671; A61B 17/1757; A61B 17/8071; A61B 17/176; A61B 2017/1782; A61B 2017/1775

See application file for complete search history.

(56) **References Cited**

U.S. PATENT DOCUMENTS

5,938,664 A *	8/1999	Winquist	A61B 17/8061 606/283
D598,104 S	8/2009	Bush, Jr.	
D602,589 S	10/2009	Bush, Jr.	
D603,503 S	11/2009	Kriska et al.	
D603,504 S	11/2009	Kriska et al.	
D603,505 S	11/2009	Kriska et al.	
D603,506 S	11/2009	Kriska et al.	
D603,507 S	11/2009	Kriska et al.	
D603,508 S	11/2009	Kriska et al.	
D603,509 S	11/2009	Kriska et al.	
D603,510 S	11/2009	Kriska et al.	
D603,511 S	11/2009	Kriska et al.	
D623,751 S	9/2010	Weiman	

(Continued)

Primary Examiner — Charles Hanson

(74) *Attorney, Agent, or Firm* — Heslin Rothenberg Farley & Mesiti P.C.; John W. Boger

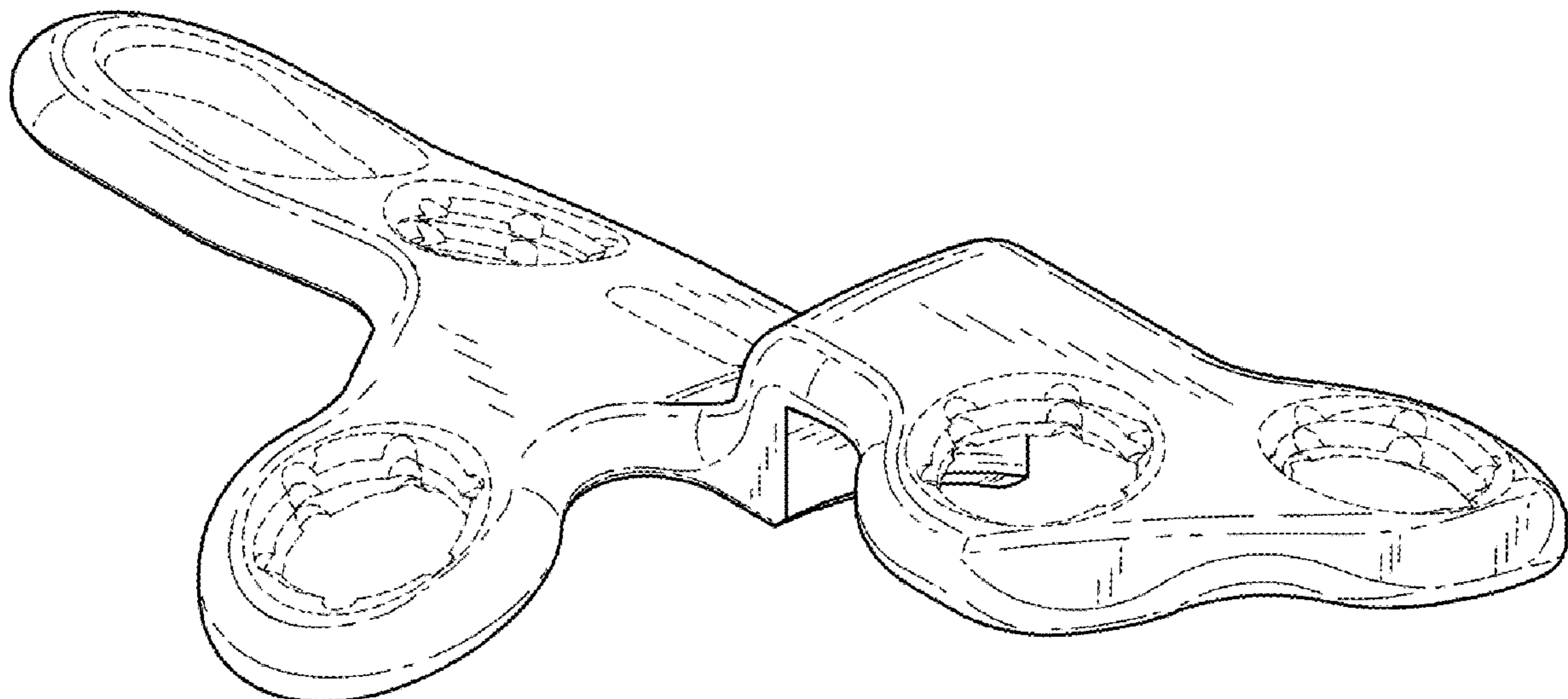
(57) **CLAIM**

The ornamental design for a bone plate, as shown and described.

DESCRIPTION

FIG. 1 is a top perspective view of a bone plate comprising the new design;
FIG. 2 is a right elevational view of the design of FIG. 1;
FIG. 3 is a left elevational view of the design of FIG. 1;
FIG. 4 is a top view of the design of FIG. 1;
FIG. 5 is a bottom view of the design of FIG. 1;
FIG. 6 is a rear elevational view of the design of FIG. 1; and,
FIG. 7 is a front elevational view of the design of FIG. 1.
The broken lines in the figures are directed to the environment and are for illustrative purposes only; the broken lines form no part of the claimed invention.

1 Claim, 2 Drawing Sheets



(56)

References Cited

U.S. PATENT DOCUMENTS

8,940,026 B2 * 1/2015 Hilse A61B 17/8014
606/282
D740,943 S * 10/2015 Neufeld D24/155
D745,162 S * 12/2015 Neufeld D24/155
9,204,912 B2 * 12/2015 Price A61B 17/1728
9,333,014 B2 * 5/2016 Gonzalez-Hernandez A61B 17/8061

D765,850 S * 9/2016 Early D24/155
D765,852 S * 9/2016 Early D24/155
D766,438 S * 9/2016 DaCosta D24/155
D766,439 S * 9/2016 DaCosta D24/155
D767,135 S * 9/2016 Paik D24/155
D767,136 S * 9/2016 Paik D24/155
2004/0225291 A1 * 11/2004 Schwamberger ... A61B 17/80
606/71

* cited by examiner

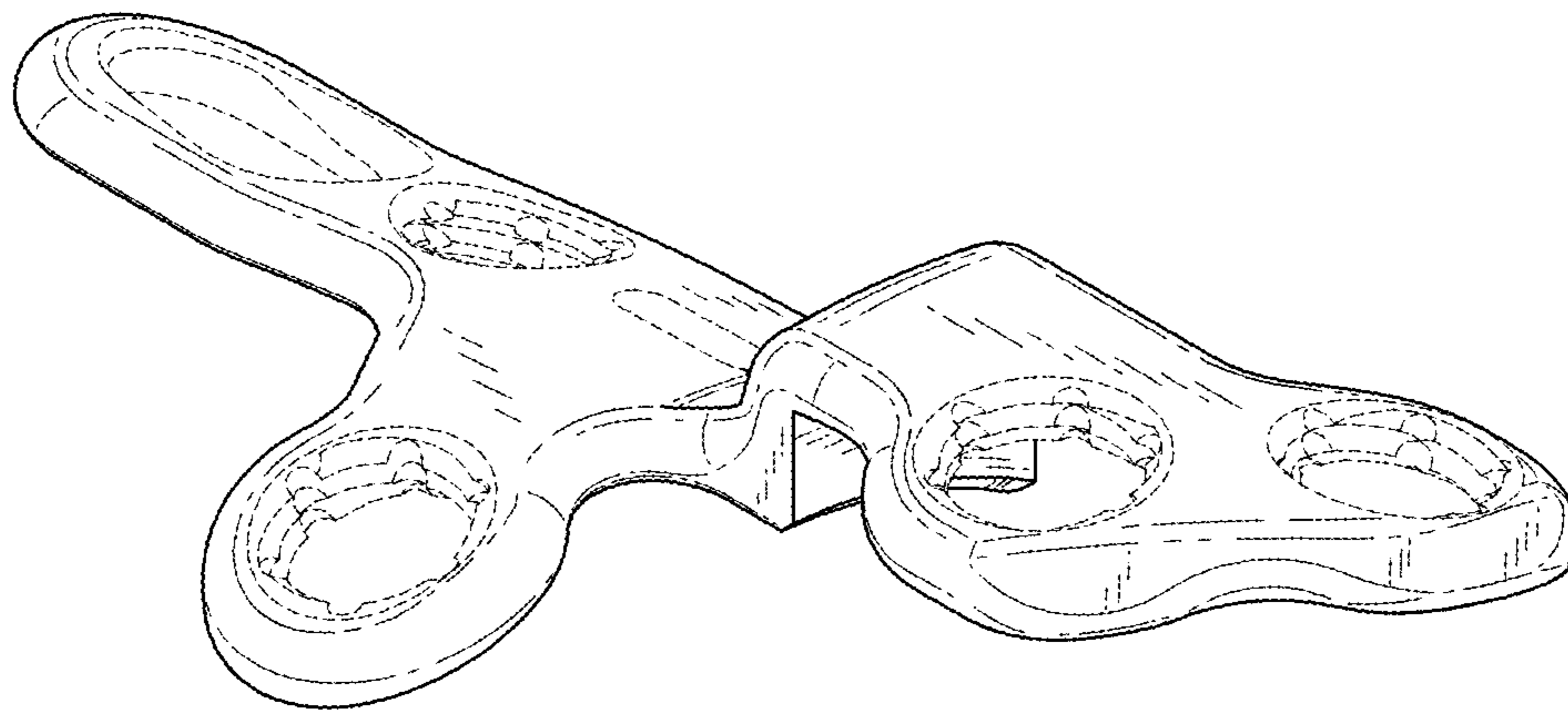


FIG. 1

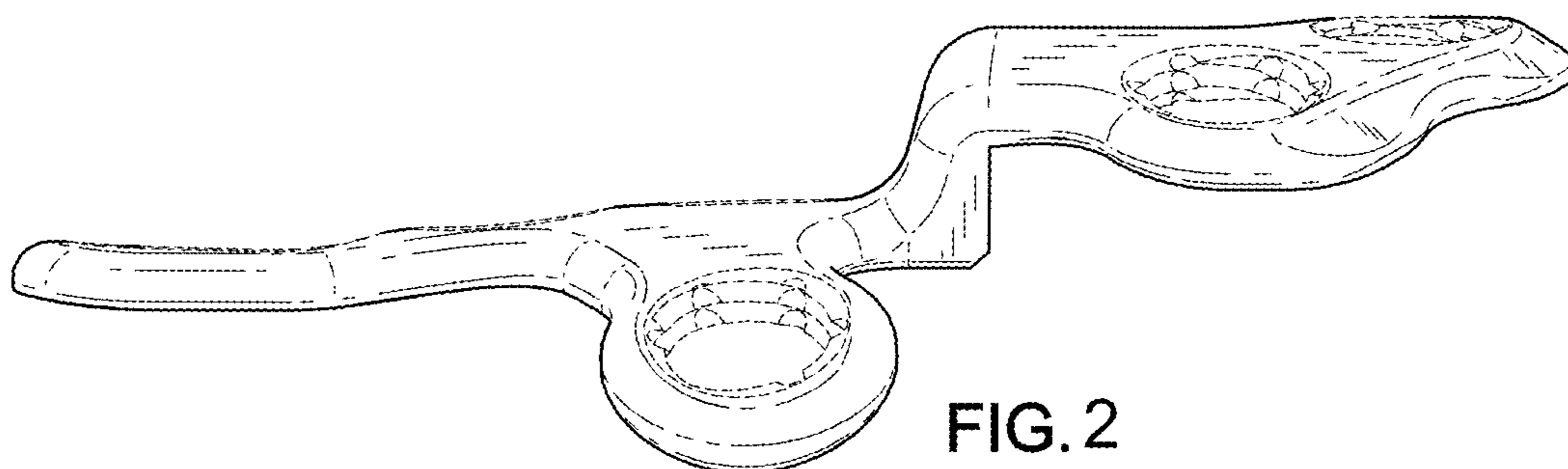


FIG. 2

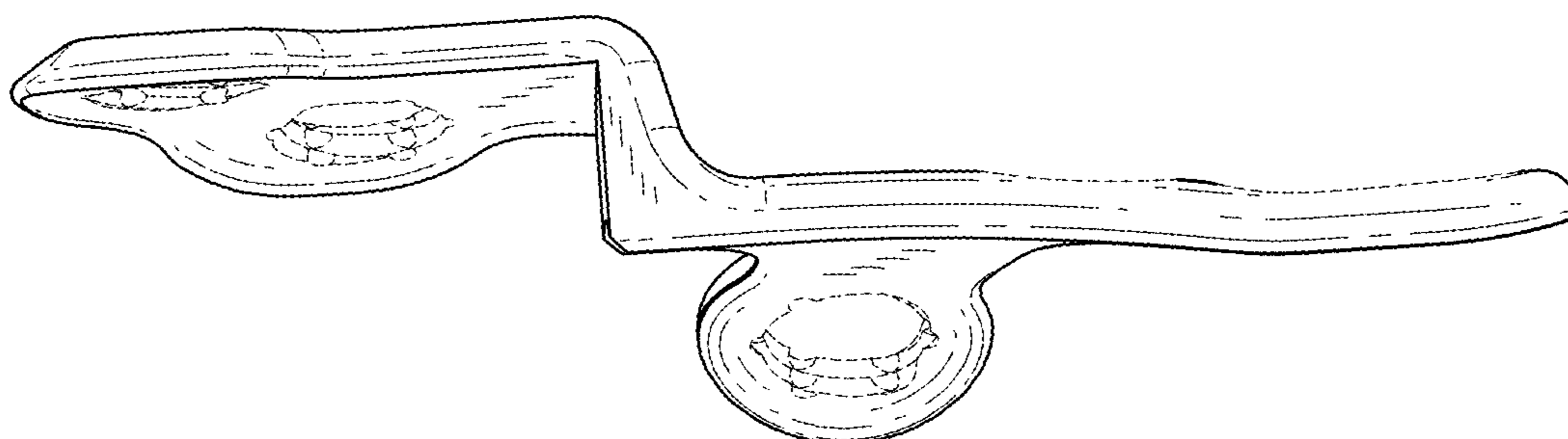


FIG. 3

