



US00D780919S

(12) **United States Design Patent**
Sasayama et al.

(10) **Patent No.:** **US D780,919 S**
(45) **Date of Patent:** **** Mar. 7, 2017**

- (54) **CELL COLLECTION DEVICE**
- (71) Applicant: **NIPRO CORPORATION**, Osaka-shi, Osaka (JP)
- (72) Inventors: **Norihisa Sasayama**, Osaka (JP); **Yui Hagiwara**, Osaka (JP); **Tomoe Morita**, Osaka (JP)
- (73) Assignee: **NIPRO CORPORATION**, Osaka (JP)
- (**) Term: **15 Years**
- (21) Appl. No.: **29/530,823**
- (22) Filed: **Jun. 19, 2015**
- (51) **LOC (10) Cl.** **24-02**
- (52) **U.S. Cl.**
USPC **D24/146**
- (58) **Field of Classification Search**
USPC D24/146, 147, 133, 216, 223; 600/564; 606/167, 170, 142, 184, 205-208; 604/1-3; D4/127, 128
CPC A61B 2017/320004; A61B 2017/320008; A61B 17/320016
See application file for complete search history.

- D561,333 S * 2/2008 Zwart D24/119
- 7,540,844 B2 * 6/2009 Muser B01L 3/18 600/570
- D639,564 S * 6/2011 Kulik D4/128
- D640,794 S * 6/2011 Sunstrum D24/216
- D656,609 S * 3/2012 Perez D24/119

(Continued)

FOREIGN PATENT DOCUMENTS

- JP 901835 S 6/1994
- JP 1060185 S 2/2000

(Continued)

Primary Examiner — Lakiya Rogers

Assistant Examiner — Carissa C Fitts

(74) *Attorney, Agent, or Firm* — Brinks Gilson & Lione

(57) **CLAIM**

We claim the ornamental design for a cell collection device, as shown and described.

DESCRIPTION

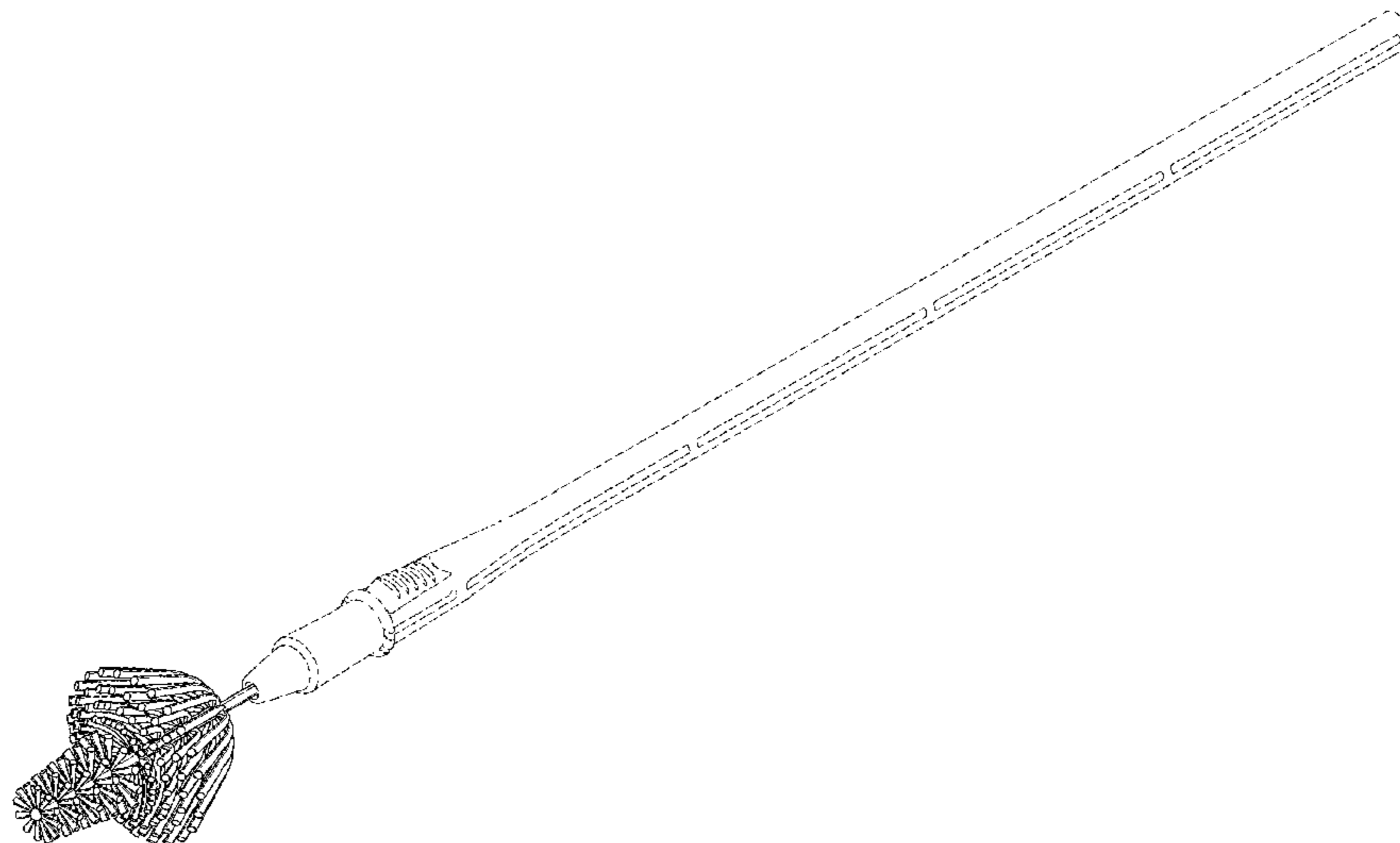
FIG. 1 is a front and top perspective view of a cell collection device of the present invention;
 FIG. 2 is a top view thereof, the bottom view being a mirror image thereof;
 FIG. 3 is a front view thereof;
 FIG. 4 is a first side view thereof, the second side view being a mirror image thereof;
 FIG. 5 is a rear view thereof;
 FIG. 6 is an enlarged front and top perspective view of the forward portion thereof;
 FIG. 7 is an enlarged top view of the forward portion thereof;
 FIG. 8 is an enlarged front view thereof; and,
 FIG. 9 is an enlarged rear view thereof.
 The broken lines shown represent unclaimed subject matter and form no part of the claimed design.

1 Claim, 5 Drawing Sheets

(56) **References Cited**

U.S. PATENT DOCUMENTS

- 2,767,703 A * 10/1956 Nieburgs A61B 10/04 600/562
- D317,361 S * 6/1991 Stormby D24/141
- 5,092,345 A * 3/1992 Sakita A61B 10/04 600/570
- D428,991 S * 8/2000 Fourie D24/146
- 6,258,044 B1 * 7/2001 Lonky A46B 3/18 600/562
- D537,254 S * 2/2007 Miles D4/128
- 7,211,061 B1 * 5/2007 Maxwell A61M 31/00 604/1



(56)

References Cited

U.S. PATENT DOCUMENTS

8,241,236 B2 * 8/2012 Yardley A61B 17/24
424/434
D692,134 S * 10/2013 Lee-Sepsick D24/146
D708,442 S * 7/2014 Rutigliano D4/128
D714,065 S * 9/2014 Chitayat D4/128
D731,056 S * 6/2015 Tsai D24/146
D745,968 S * 12/2015 Booth D24/152
D750,382 S * 3/2016 Jacob D4/128
2004/0116827 A1 * 6/2004 Tiberio A61B 10/0045
600/569
2007/0073186 A1 * 3/2007 Decker A61B 10/0045
600/569
2009/0065018 A1 * 3/2009 Berhault A45D 40/262
132/218

FOREIGN PATENT DOCUMENTS

JP 1060185-1 S 5/2000
JP 1107595 S 5/2001
JP 1188333 S 10/2003
JP 1188334 S 10/2003
JP 1319744 S 1/2008
JP 1441426 S 5/2012

* cited by examiner

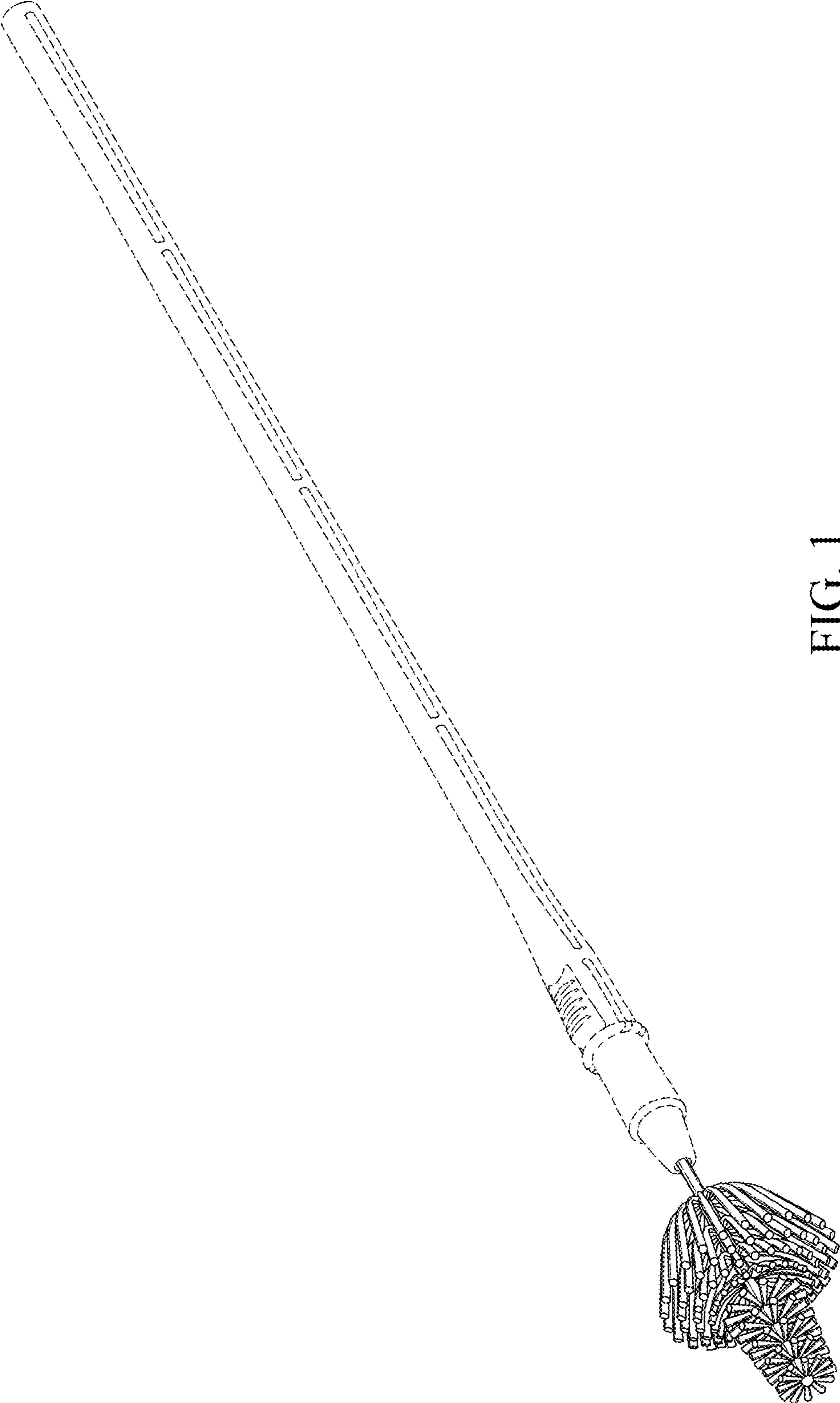


FIG. 1

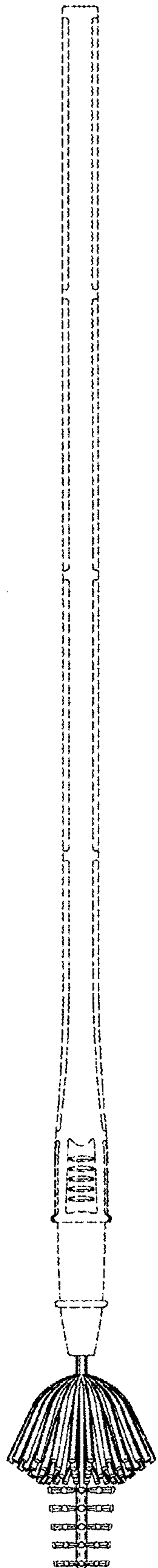


FIG. 2

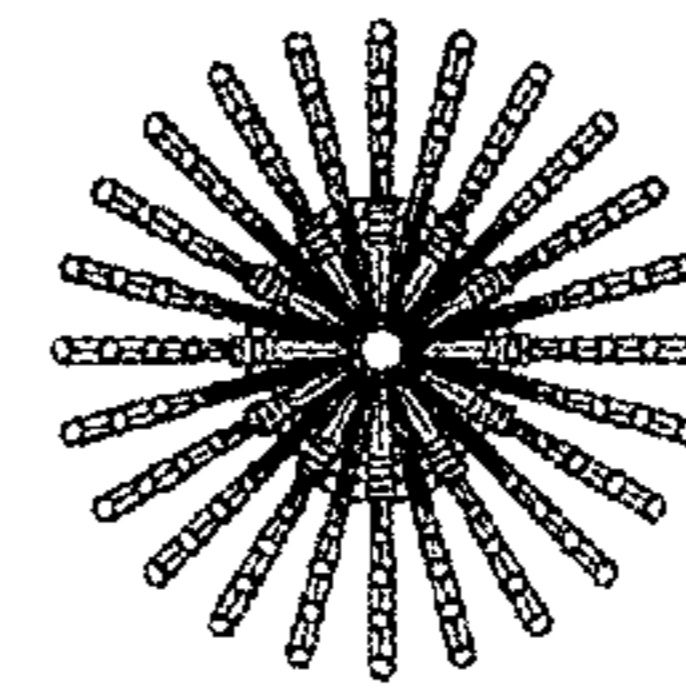


FIG. 3

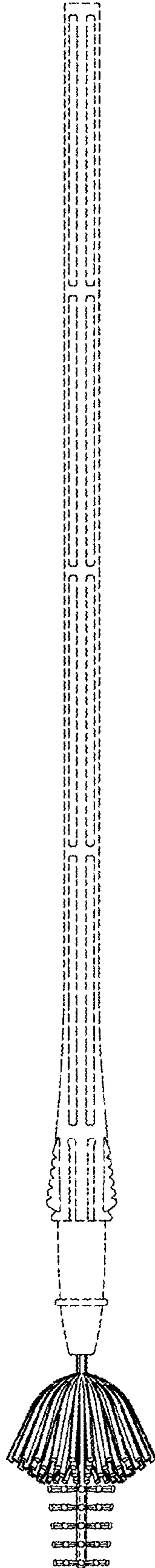


FIG. 4

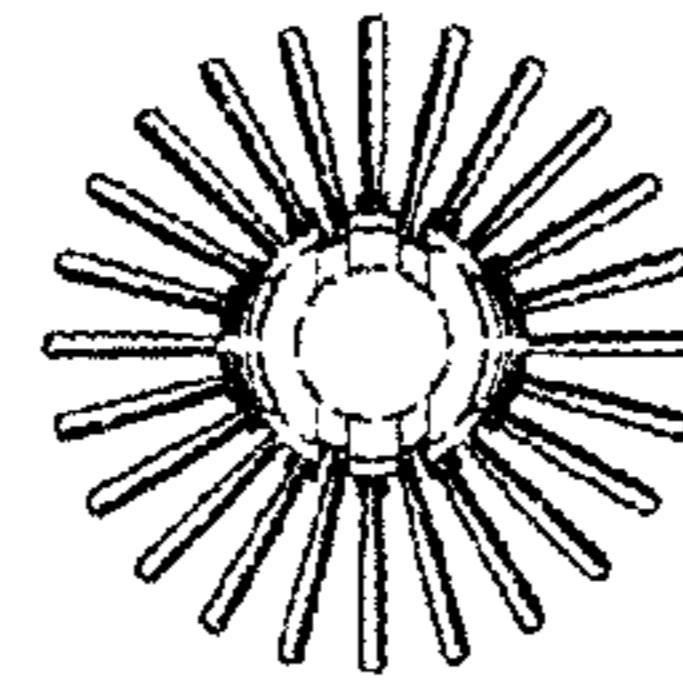


FIG. 5

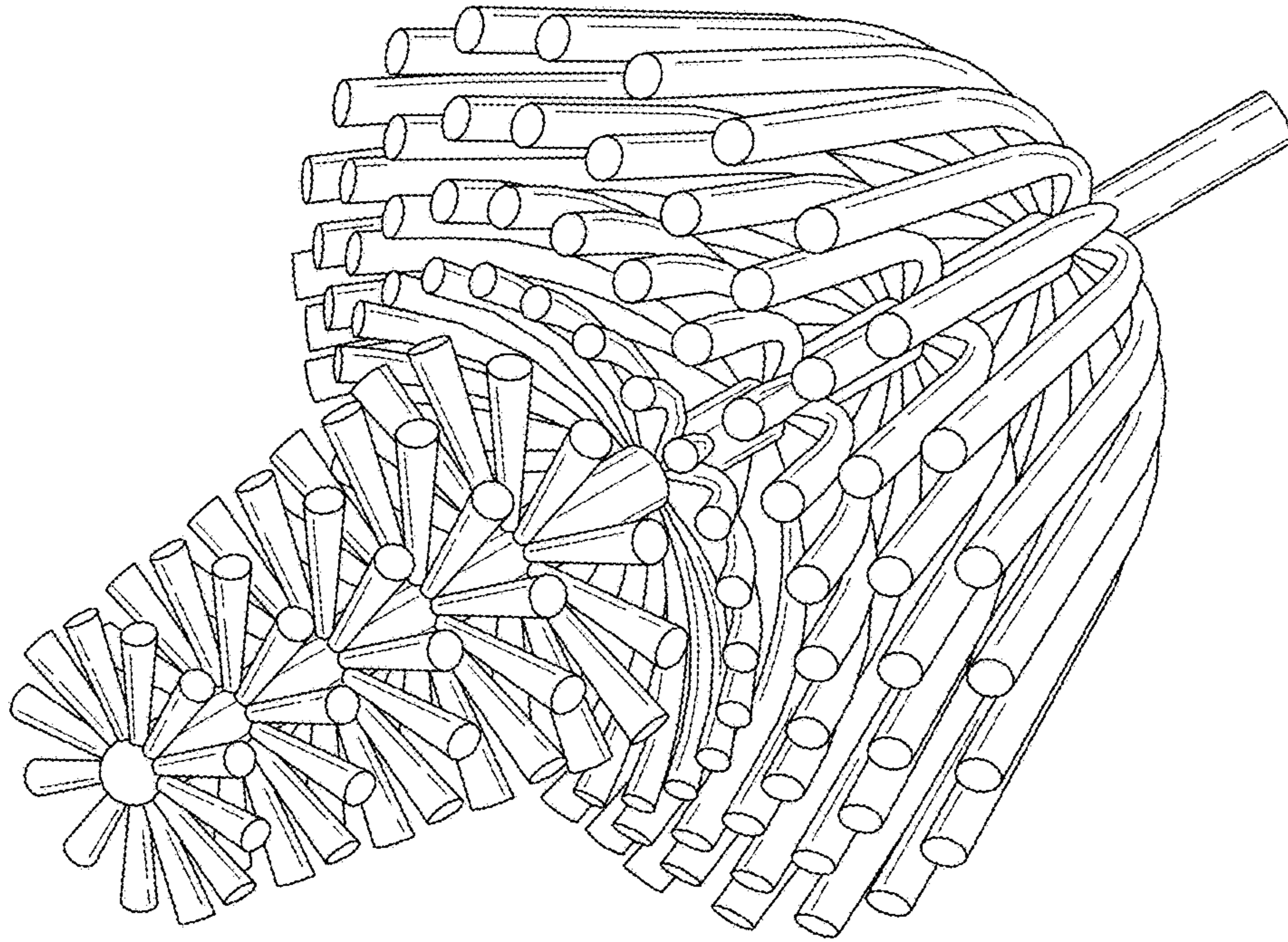


FIG. 6

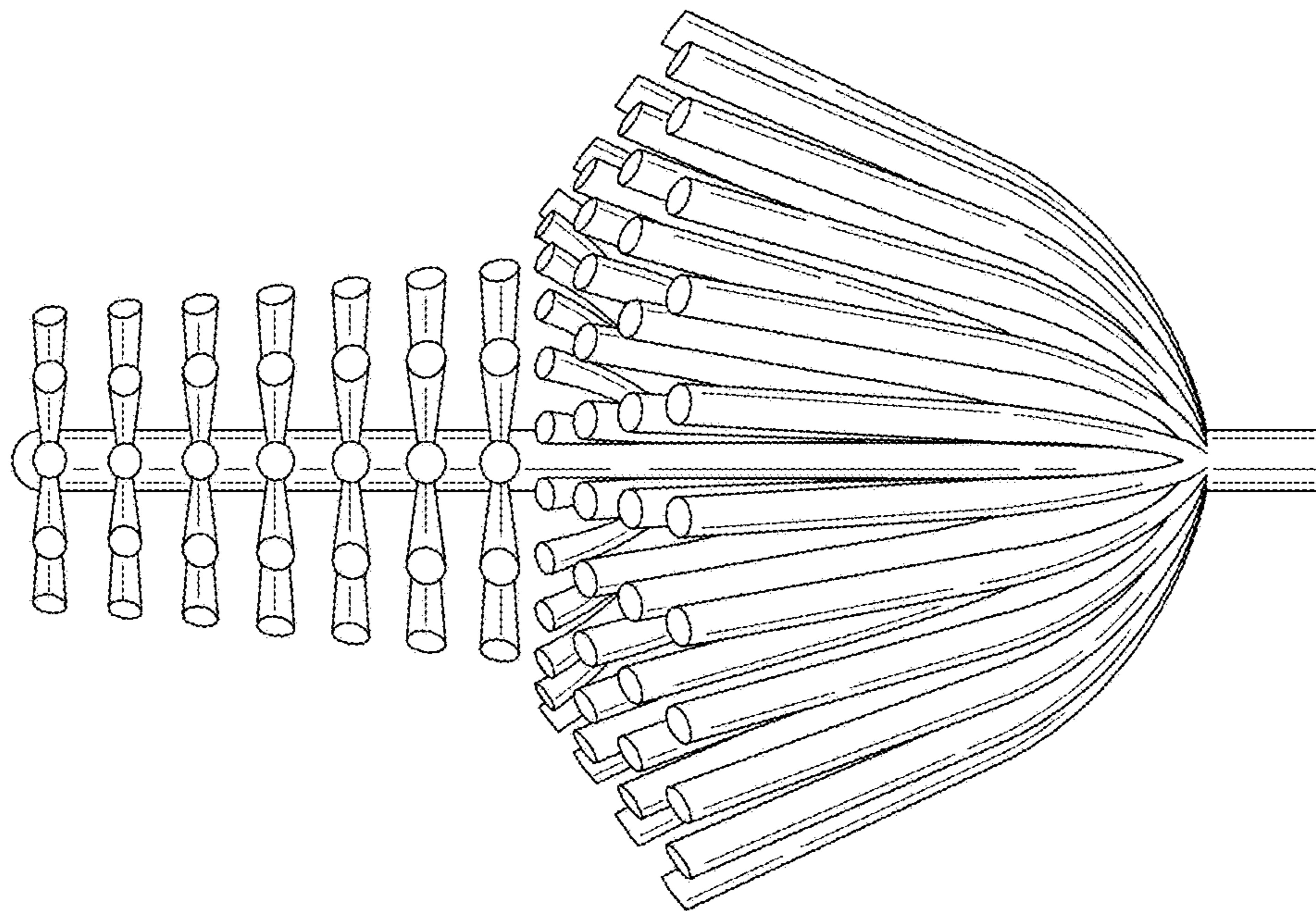


FIG. 7

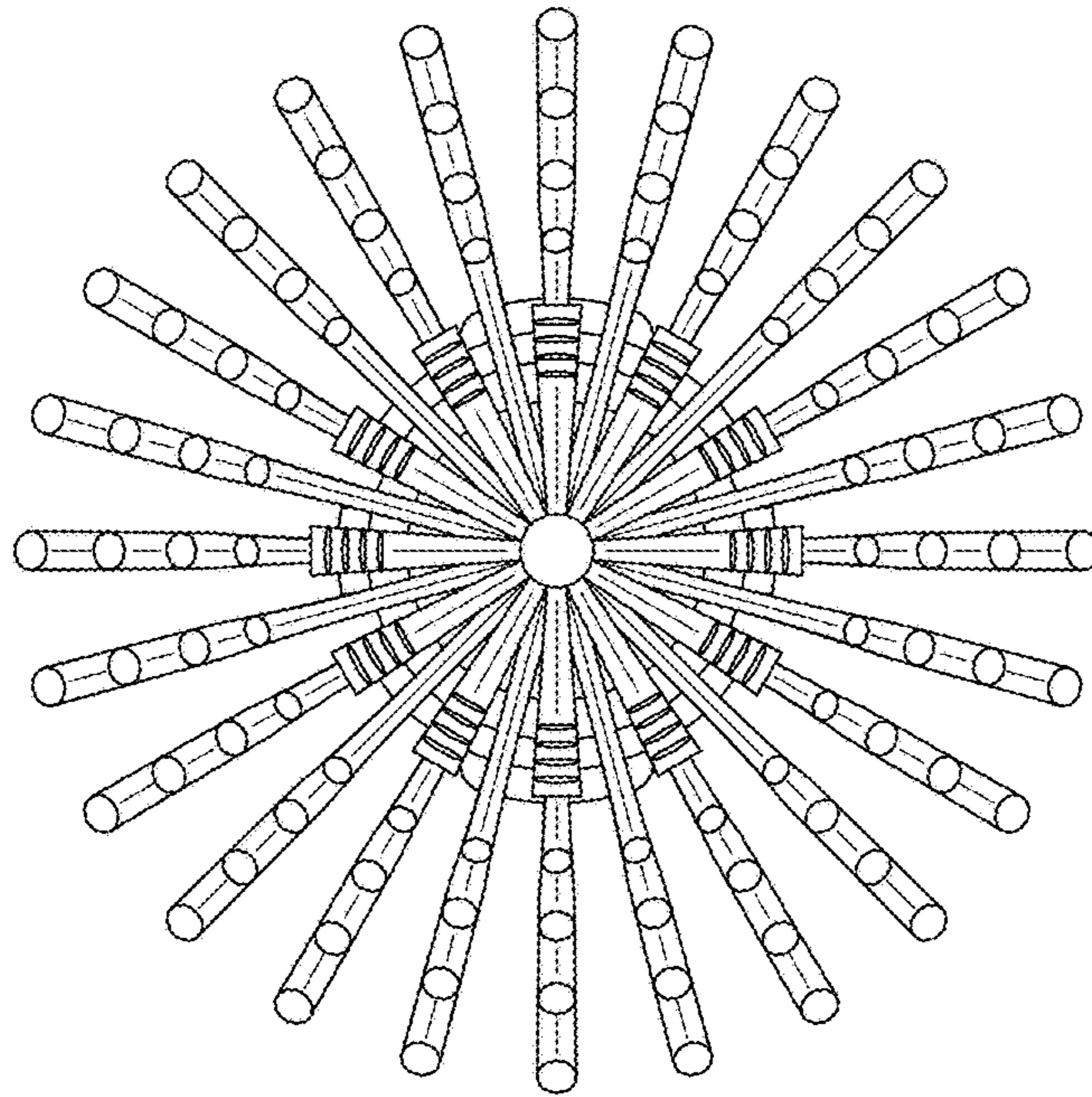


FIG. 8

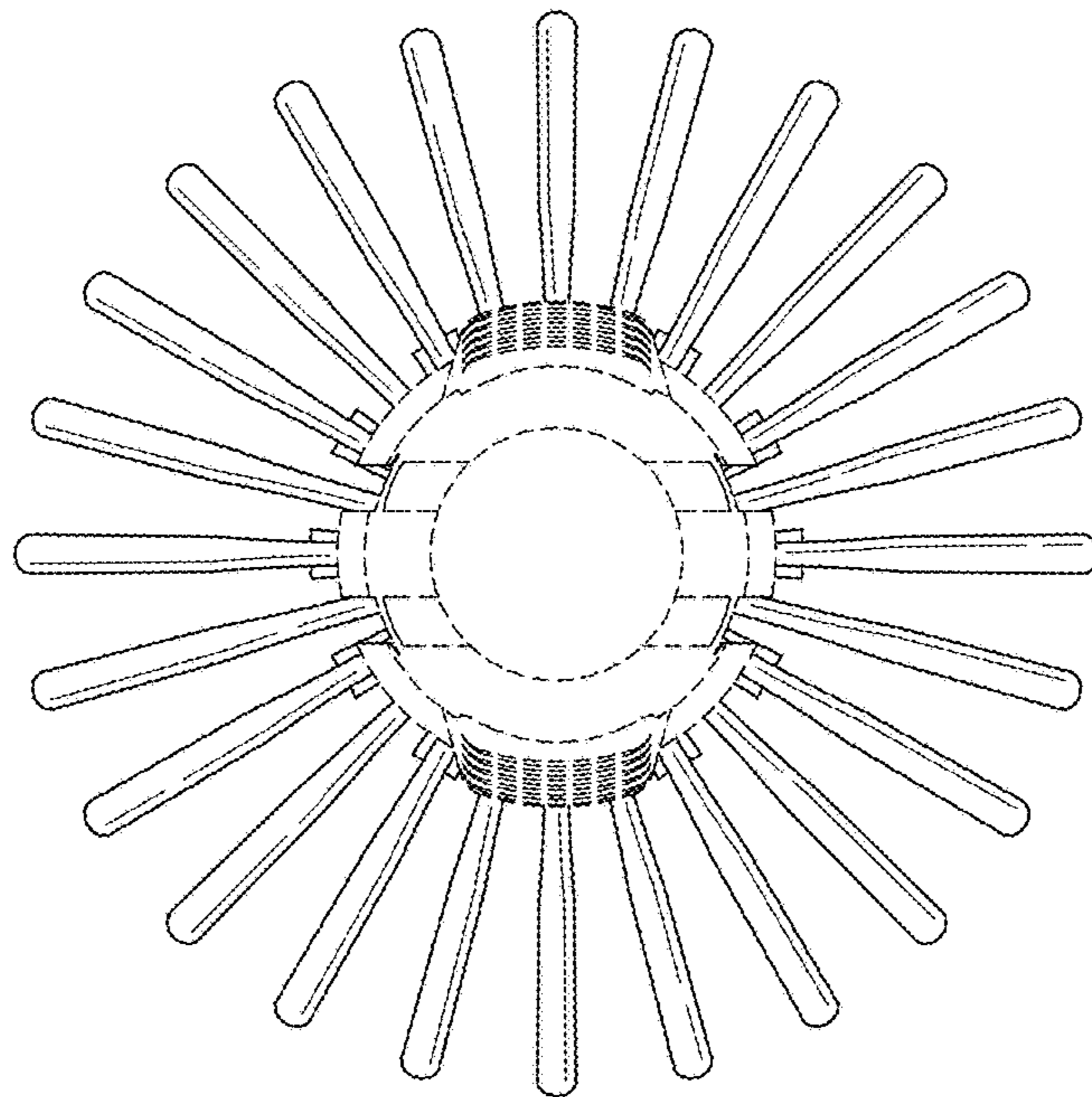


FIG. 9