



US00D780917S

(12) **United States Design Patent**
Meguro

(10) **Patent No.:** **US D780,917 S**
(45) **Date of Patent:** **** Mar. 7, 2017**

(54) **DISPLAY FOR INDUSTRIAL ENDOSCOPE**

(71) Applicant: **OLYMPUS CORPORATION**,
Shibuya-ku, Tokyo (JP)

(72) Inventor: **Chikayoshi Meguro**, Hachioji (JP)

(73) Assignee: **OLYMPUS CORPORATION**, Tokyo
(JP)

(**) Term: **15 Years**

(21) Appl. No.: **29/552,855**

(22) Filed: **Jan. 26, 2016**

(30) **Foreign Application Priority Data**

Dec. 21, 2015 (JP) 2015-028393

(51) **LOC (10) Cl.** **24-02**

(52) **U.S. Cl.**
USPC **D24/138**

(58) **Field of Classification Search**

USPC D24/133, 137, 138, 140, 141, 108, 117,
D24/118; 600/109, 110, 117, 131,
600/145-147; D16/221

CPC A61B 1/04; A61B 1/0039; A61B 1/00052;
A61B 1/00; A61B 1/00066; G02B
23/2484

See application file for complete search history.

(56) **References Cited**

U.S. PATENT DOCUMENTS

D671,213 S * 11/2012 Funakoshi D24/138
D671,214 S * 11/2012 Funakoshi D24/138

8,801,605 B2 * 8/2014 Inada A61B 1/00039
600/139
8,821,379 B2 * 9/2014 Motoki A61B 1/00039
600/109
D755,379 S * 5/2016 Amano D24/138
D762,853 S * 8/2016 Amano D24/138
2012/0209064 A1 * 8/2012 Numata A61B 1/05
600/109
2013/0079594 A1 * 3/2013 Motoki A61B 1/00039
600/109

* cited by examiner

Primary Examiner — Manpreet Matharu

Assistant Examiner — Yolanda Robinson

(74) *Attorney, Agent, or Firm* — Holtz, Holtz & Volek PC

(57) **CLAIM**

The ornamental design for a display for industrial endo-
scope, as shown.

DESCRIPTION

FIG. 1 is a front, top and right side perspective view of a
display for industrial endoscope showing my new design;
FIG. 2 is a front elevational view thereof;
FIG. 3 is a rear elevational view thereof;
FIG. 4 is a top plan view thereof;
FIG. 5 is a bottom plan view thereof;
FIG. 6 is a right side elevational view thereof; and,
FIG. 7 is a left side elevational view thereof.

1 Claim, 7 Drawing Sheets

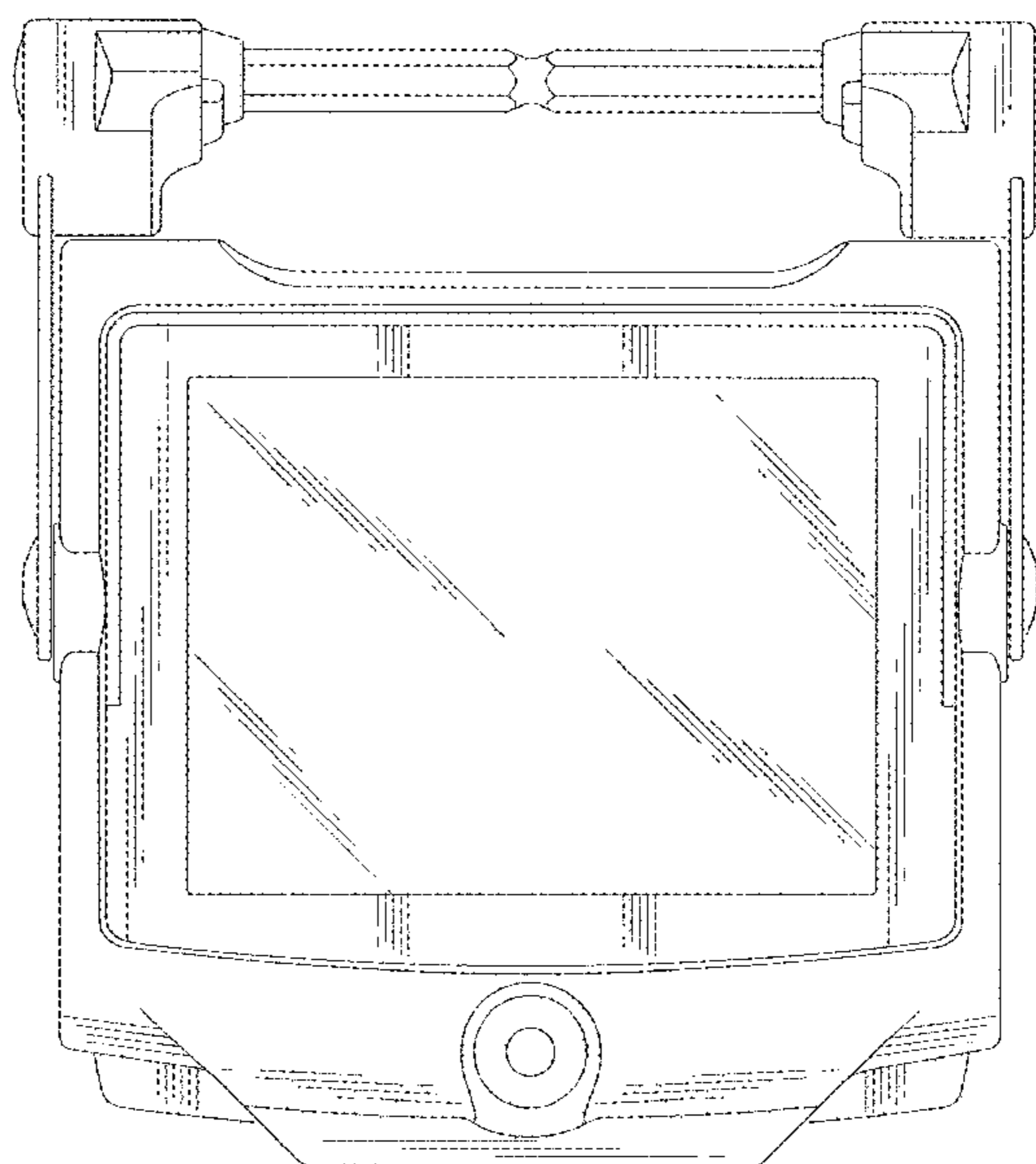
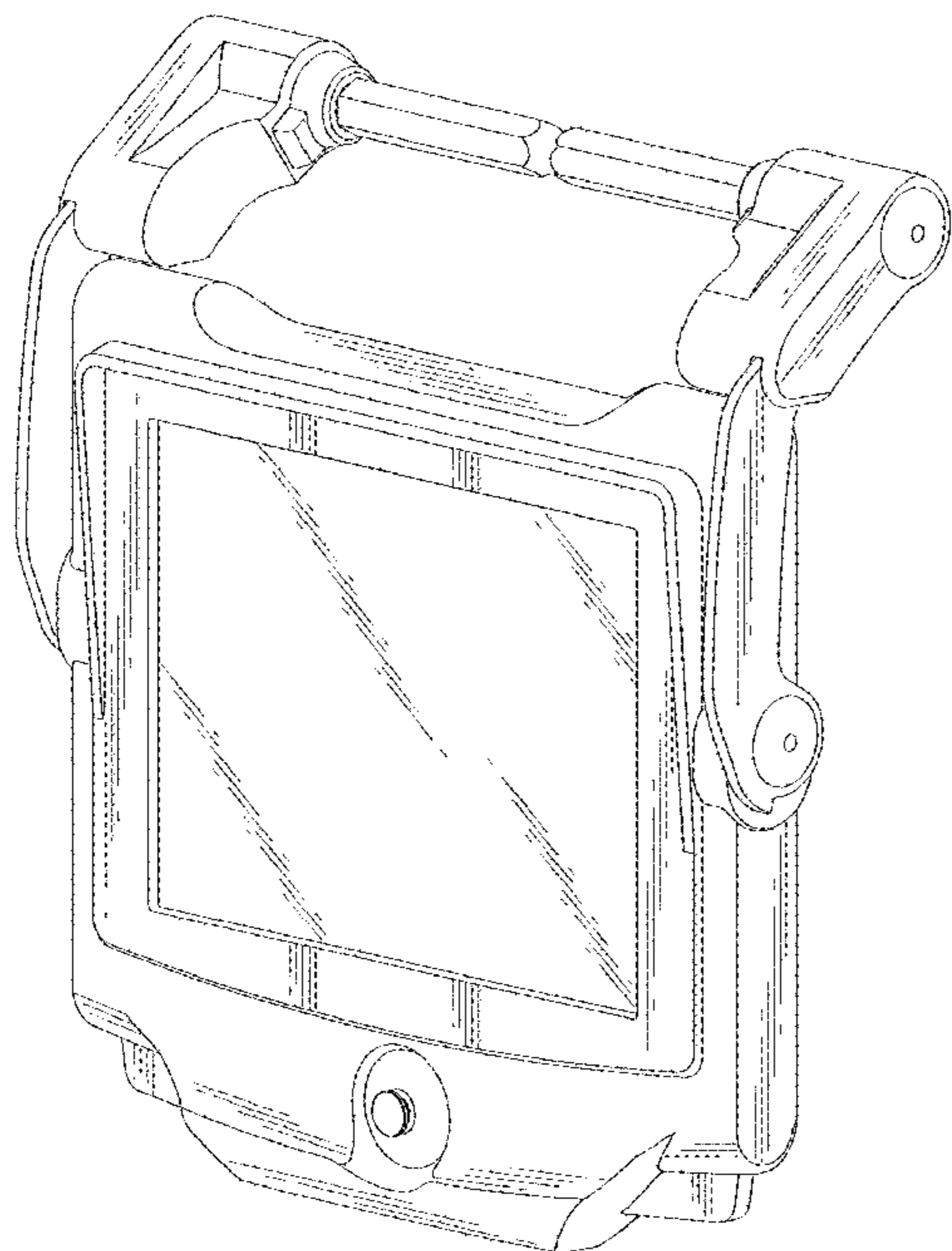


FIG.1

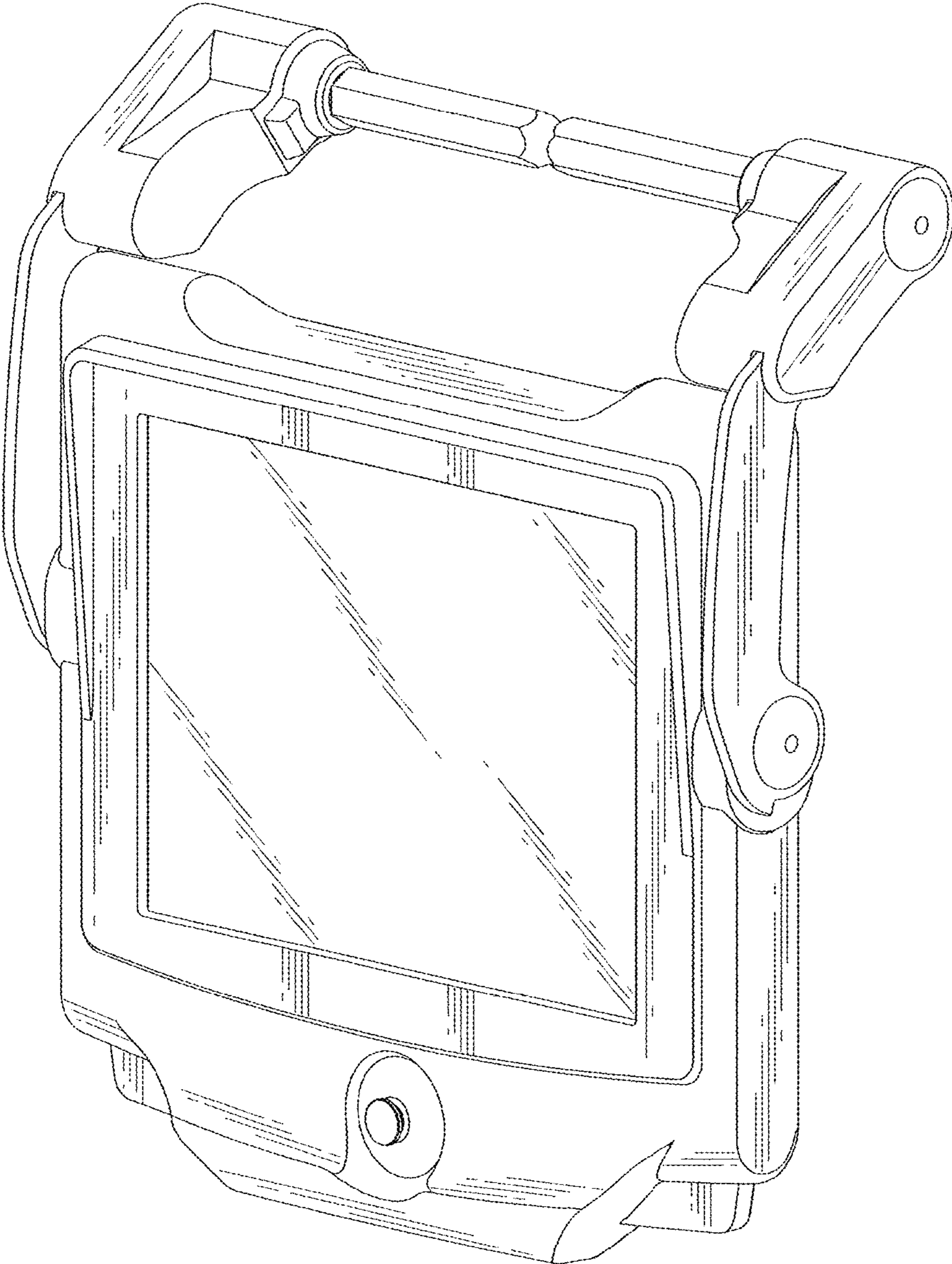


FIG.2

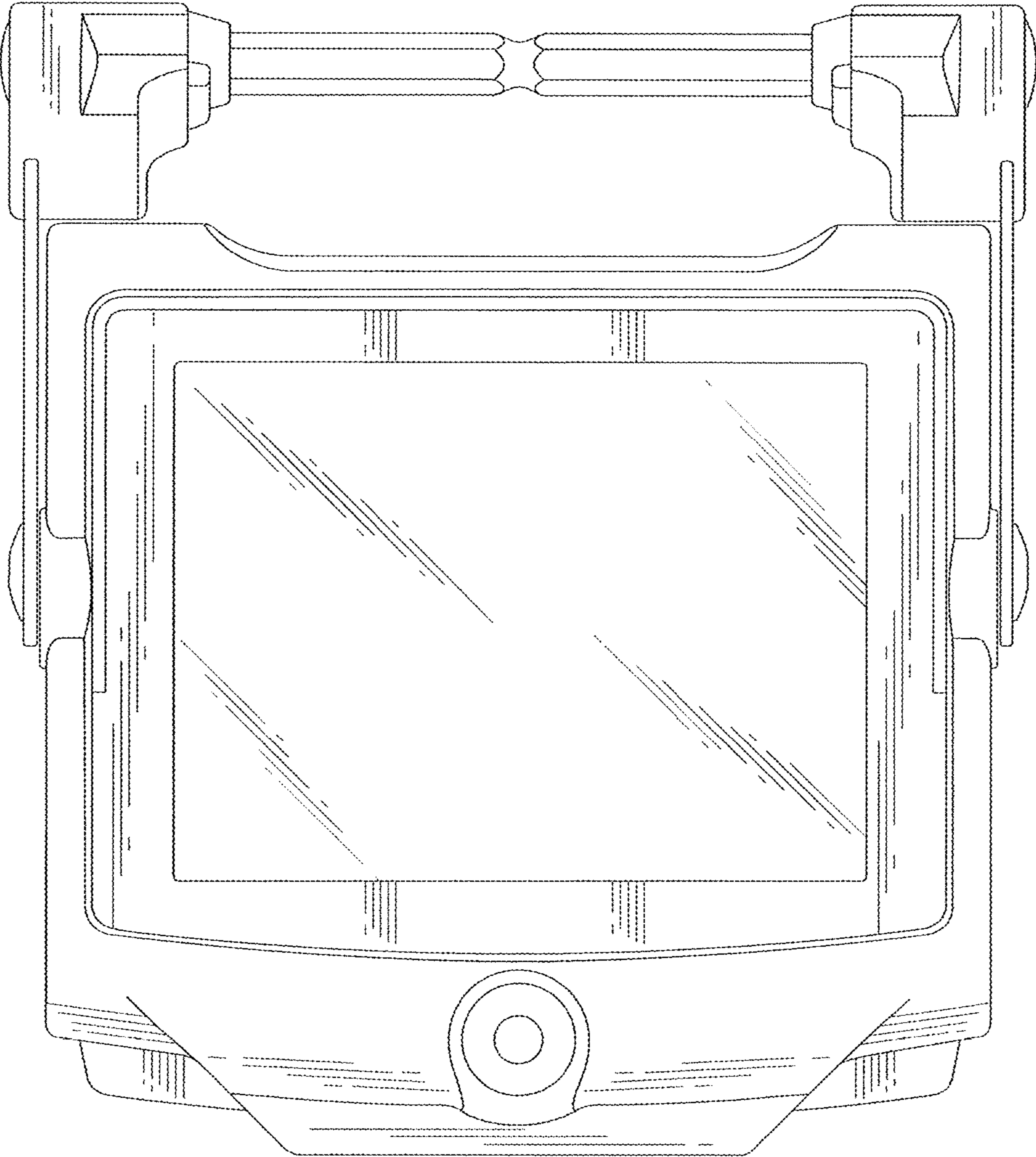


FIG.3

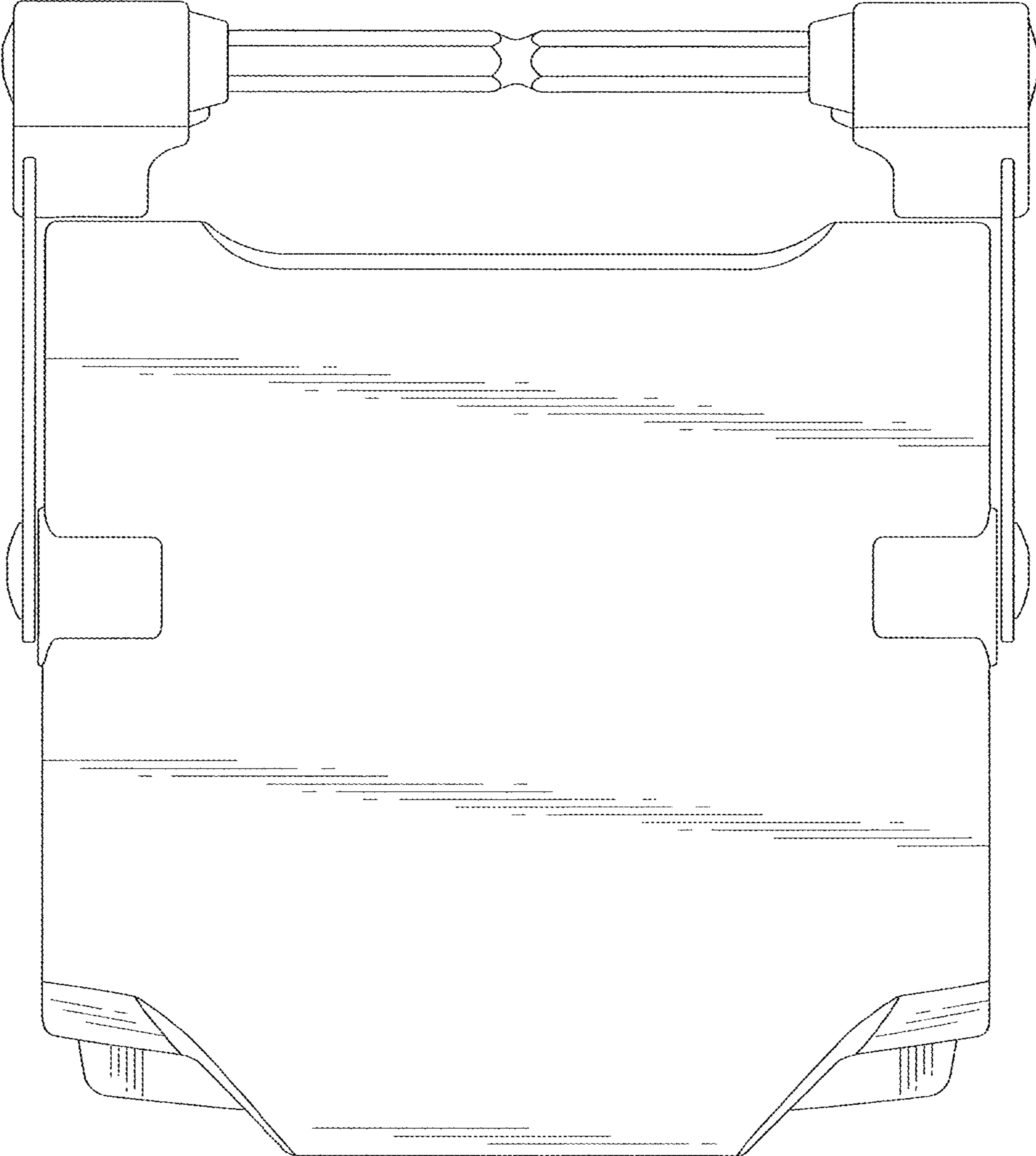


FIG.4

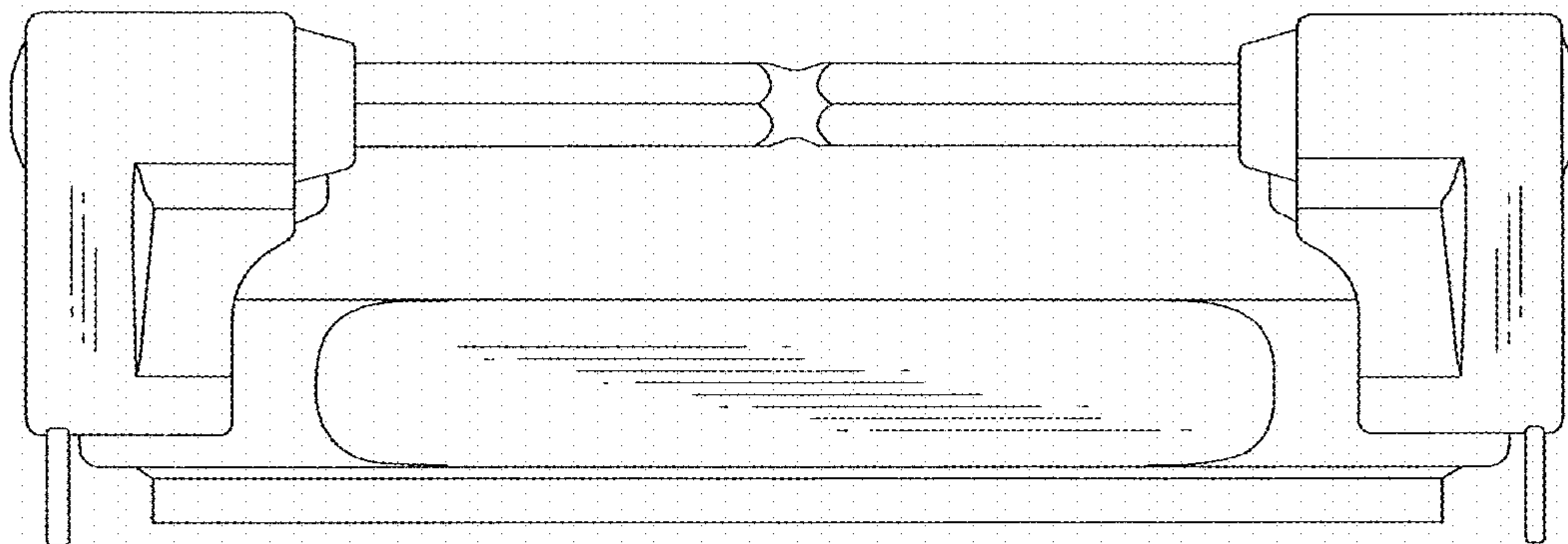


FIG.5

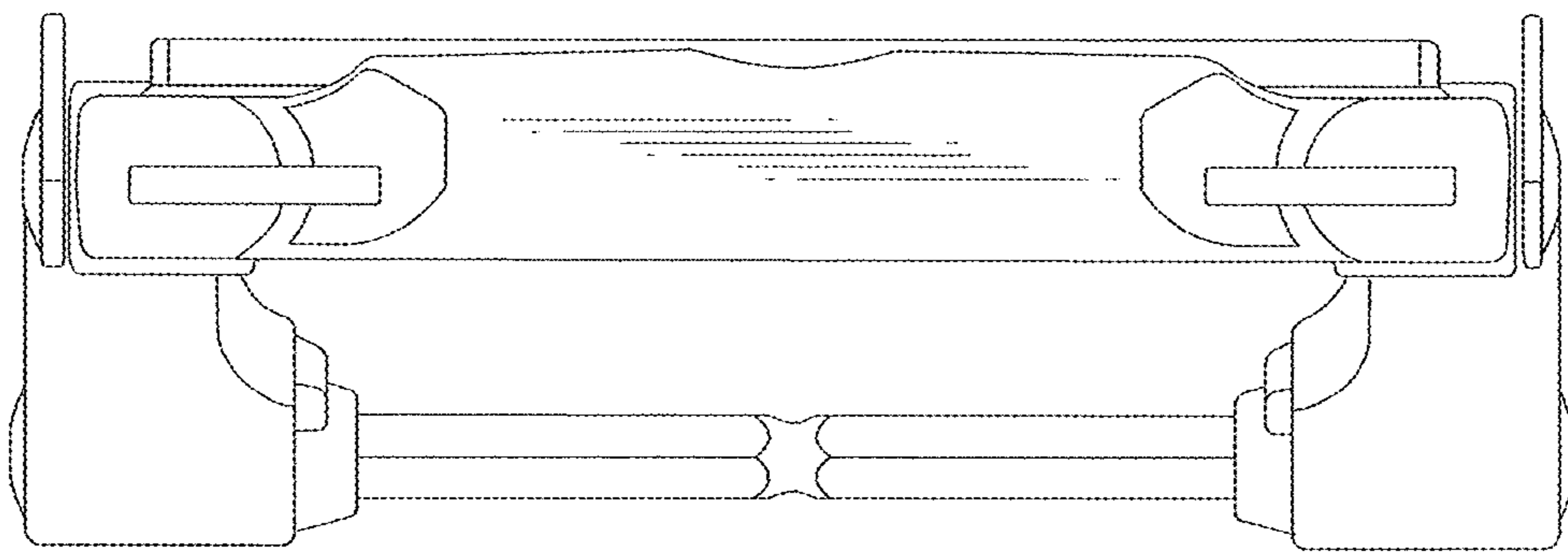


FIG.6

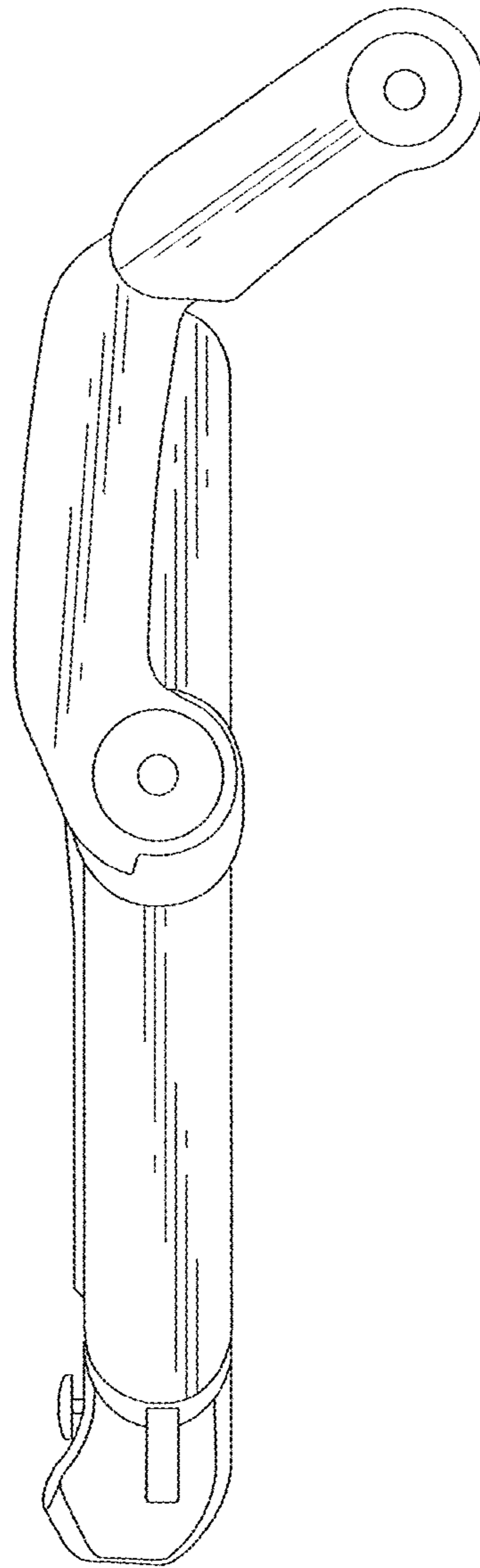


FIG.7

