



US00D780916S

(12) **United States Design Patent**
Ogura et al.

(10) **Patent No.:** **US D780,916 S**
(45) **Date of Patent:** **** Mar. 7, 2017**

(54) **ENDOSCOPE CONNECTOR**
(71) Applicant: **FUJIFILM Corporation**, Tokyo (JP)
(72) Inventors: **Ryosuke Ogura**, Kanagawa (JP); **Koji Yoshida**, Kanagawa (JP)
(73) Assignee: **FUJIFILM Corporation**, Tokyo (JP)
(**) Term: **15 Years**

6,511,431 B2 * 1/2003 Ohara A61B 8/12
600/453
D481,125 S * 10/2003 Hayamizu D24/129
D490,898 S * 6/2004 Hayamizu D24/129
D497,428 S * 10/2004 Hayamizu D24/129
D498,533 S * 11/2004 Hayamizu D24/129
D534,656 S * 1/2007 Pilvisto D16/237
D619,709 S * 7/2010 Scholly D24/138
D639,428 S * 6/2011 Yasue D24/137
D668,334 S * 10/2012 Makowski D24/138
2007/0078301 A1 * 4/2007 Kura A61B 1/00133
600/106

(21) Appl. No.: **29/530,179**

(22) Filed: **Jun. 15, 2015**

(30) **Foreign Application Priority Data**

Dec. 16, 2014 (JP) 2014-028033

(51) **LOC (10) Cl.** **24-02**

(52) **U.S. Cl.**
USPC **D24/138**

(58) **Field of Classification Search**
USPC D24/108, 110.6, 111–114, 117, 118, 129,
D24/130, 132–134, 135, 137, 138, 222,
D24/127, 140, 141, 143, 144, 148, 160,
D24/79, 216, 152, 153, 154, 176
CPC A61B 1/00; A61B 1/00137; A61B 1/005;
A61B 1/0014; A61B 1/0676; A61B
1/0669; A61B 1/00121; A61B 1/00133;
A61B 1/00071; A61B 1/00064; A61B
1/00068; A61B 1/00112; A61B 1/0125;
A61B 17/3478

See application file for complete search history.

(56) **References Cited**

U.S. PATENT DOCUMENTS

6,443,888 B1 * 9/2002 Ogura A61B 1/00124
600/132
6,508,758 B2 * 1/2003 Komi A61B 1/0052
600/131

* cited by examiner

Primary Examiner — Robert M Spear

Assistant Examiner — Eliza Bennett-Hattan

(74) *Attorney, Agent, or Firm* — Young & Thompson

(57) **CLAIM**

The ornamental design for an endoscope connector, as shown and described.

DESCRIPTION

FIG. 1 is a top, front and left side perspective view of an endoscope connector showing my new design;
FIG. 2 is a bottom, front and left side perspective view thereof;
FIG. 3 is a front elevational view thereof;
FIG. 4 is a rear elevational view thereof;
FIG. 5 is a top plan view thereof;
FIG. 6 is a bottom plan view thereof;
FIG. 7 is a left side elevational view thereof;
FIG. 8 is a right side elevational view thereof; and,
FIG. 9 is a top, front and right side perspective view thereof in a manner of use.

The broken lines showing the portions in FIG. 9 depict environmental subject matter only and form no part of the claimed design.

1 Claim, 8 Drawing Sheets

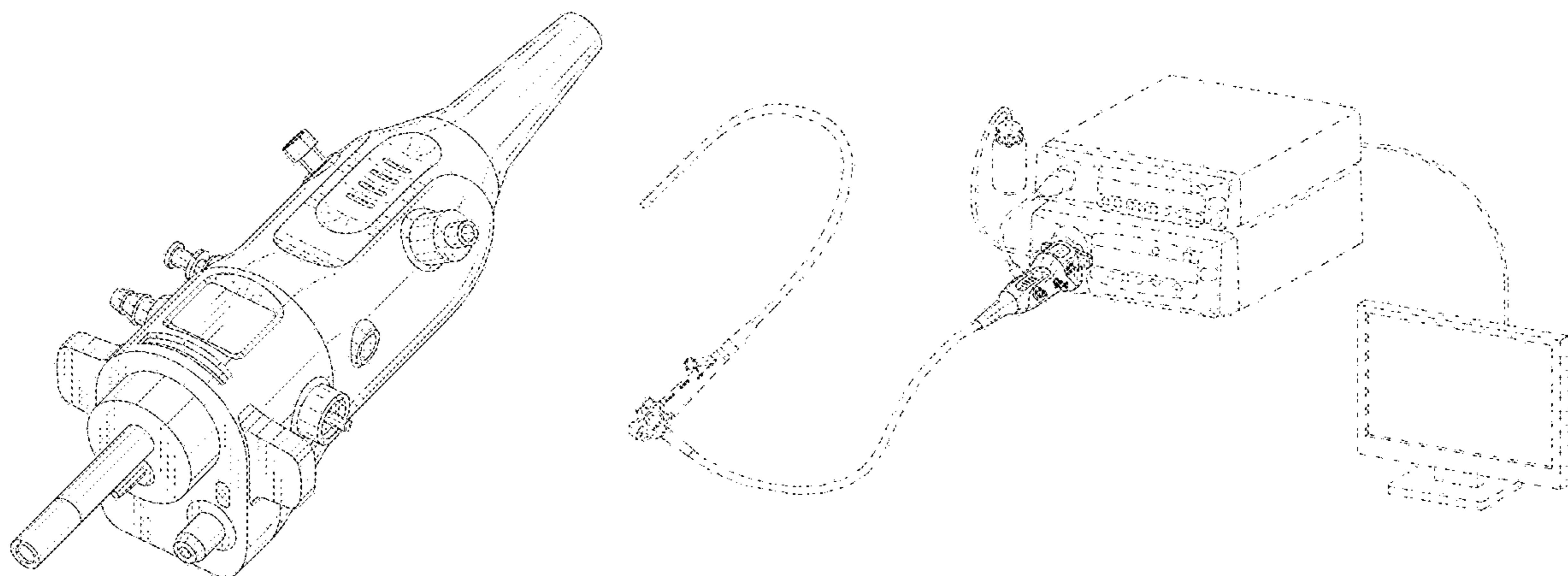


FIG. 1

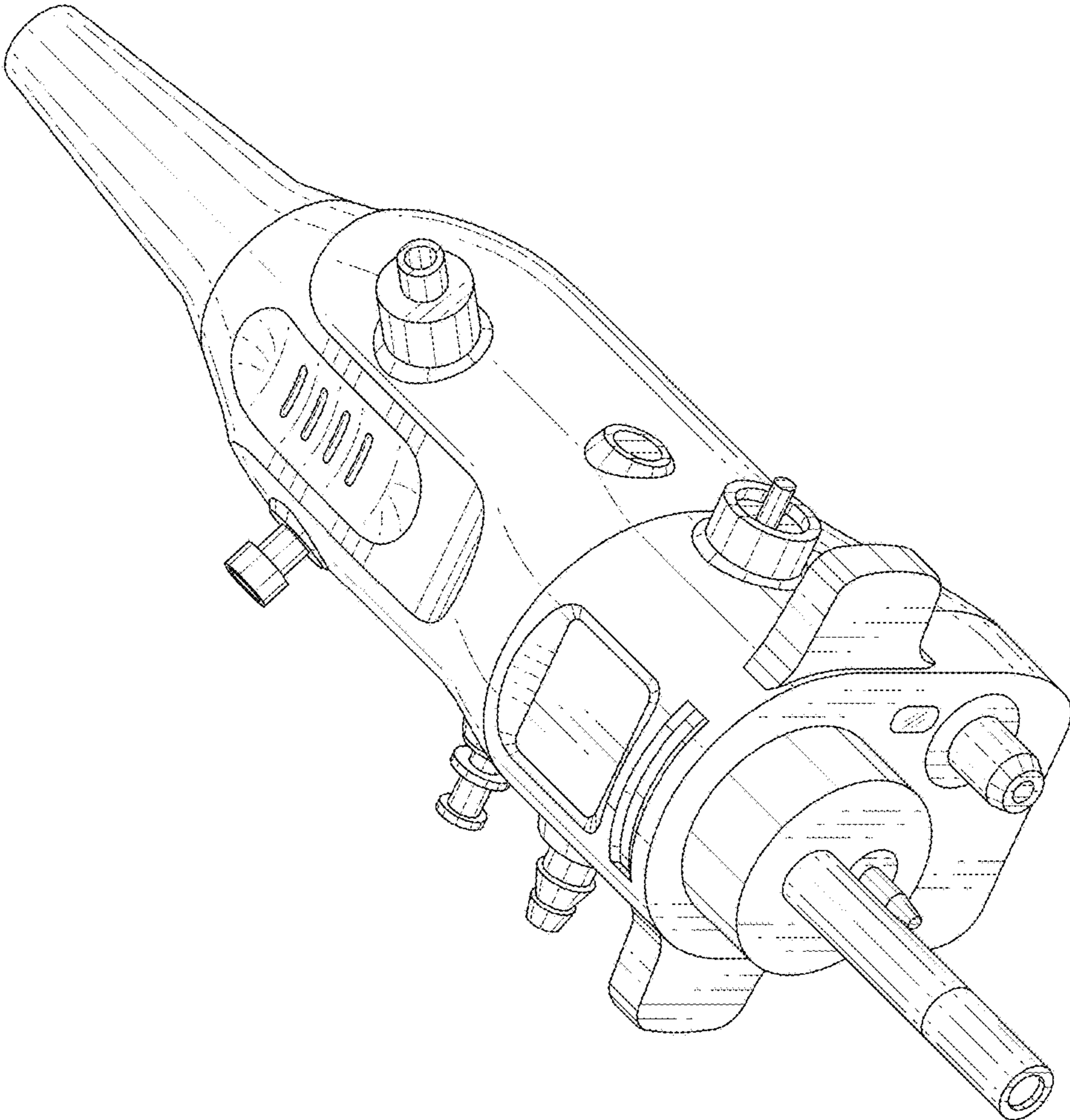


FIG. 2

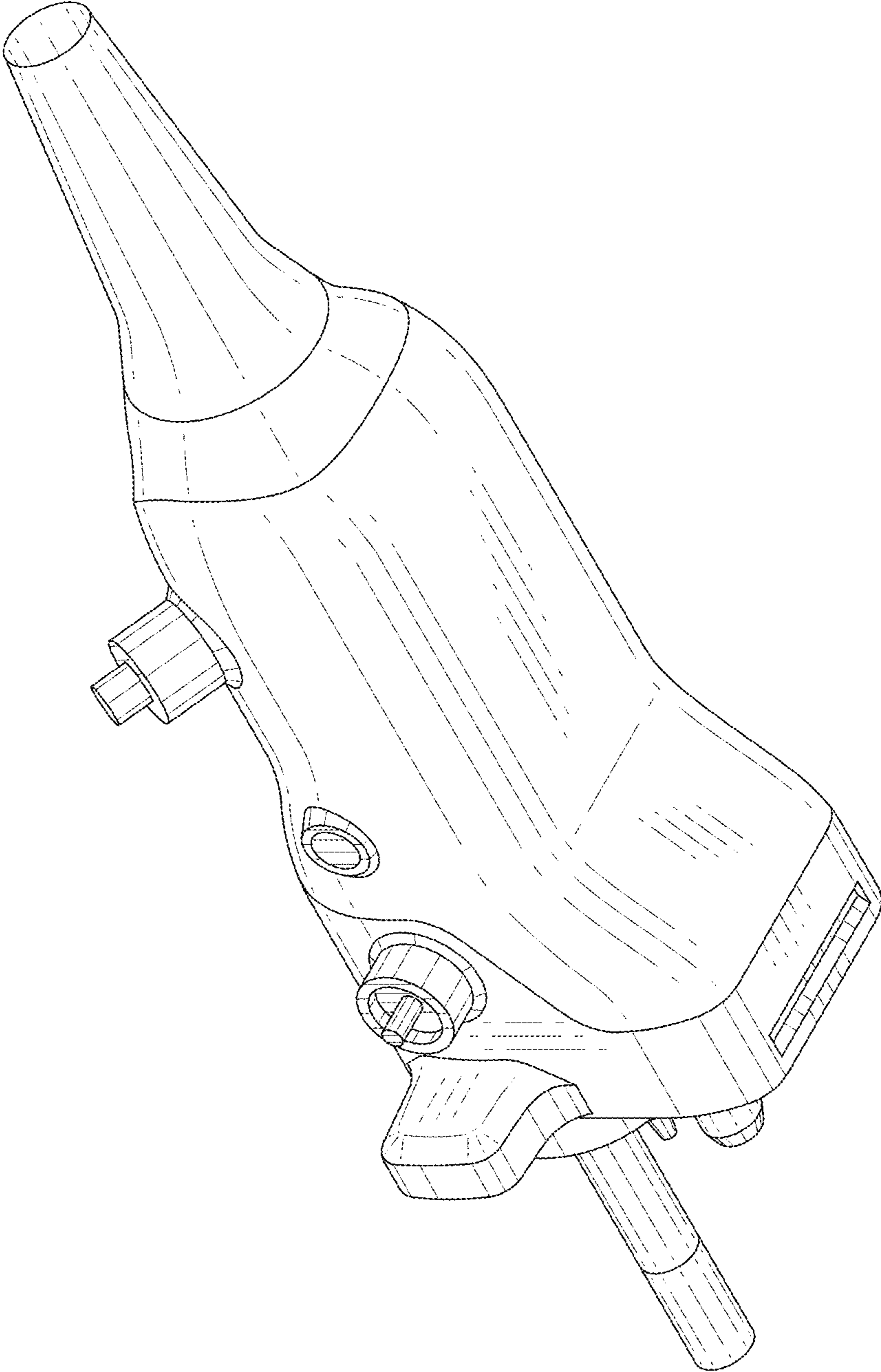


FIG. 3

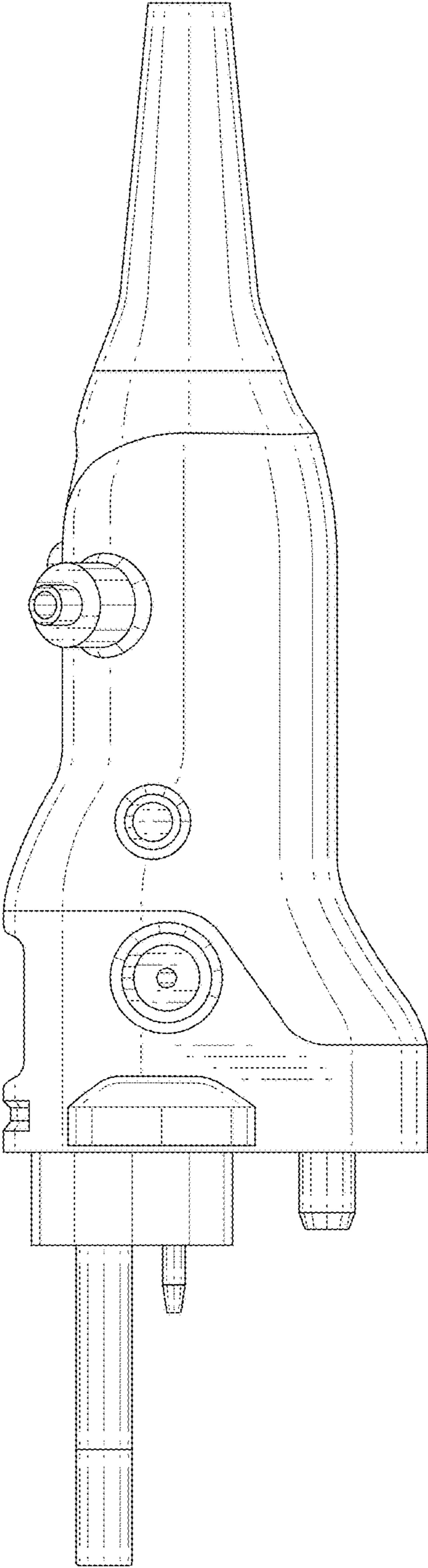


FIG. 4

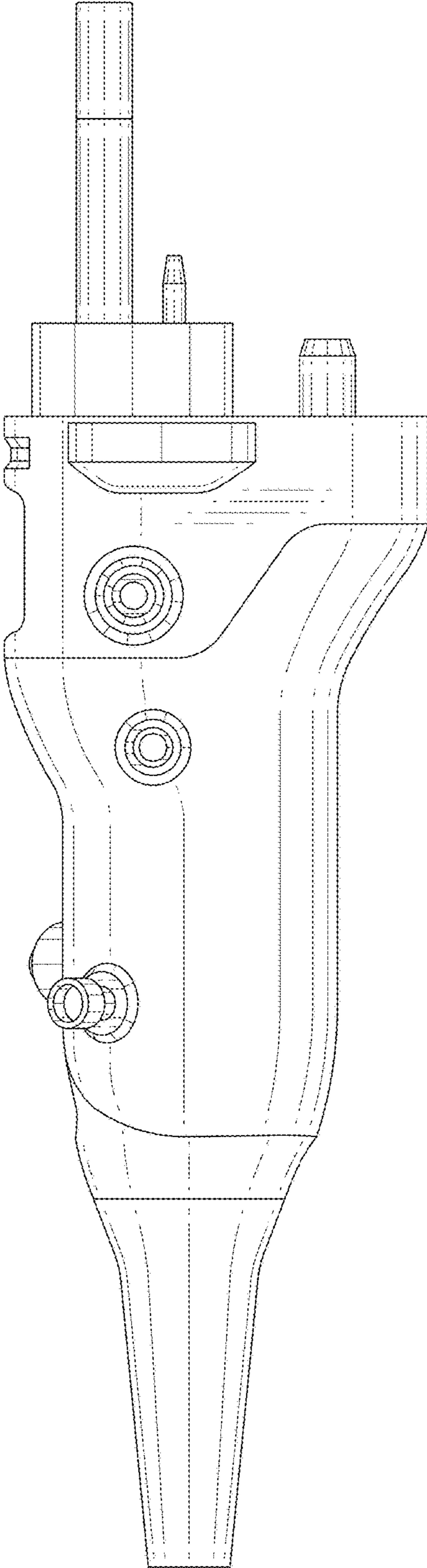


FIG. 5

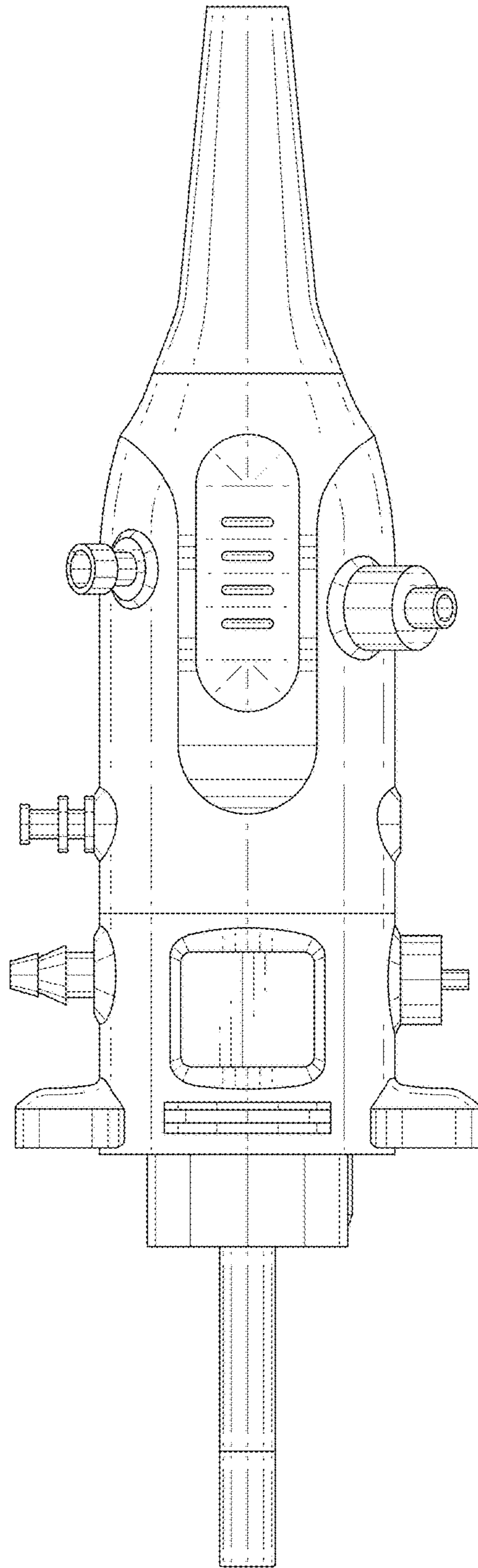


FIG. 6

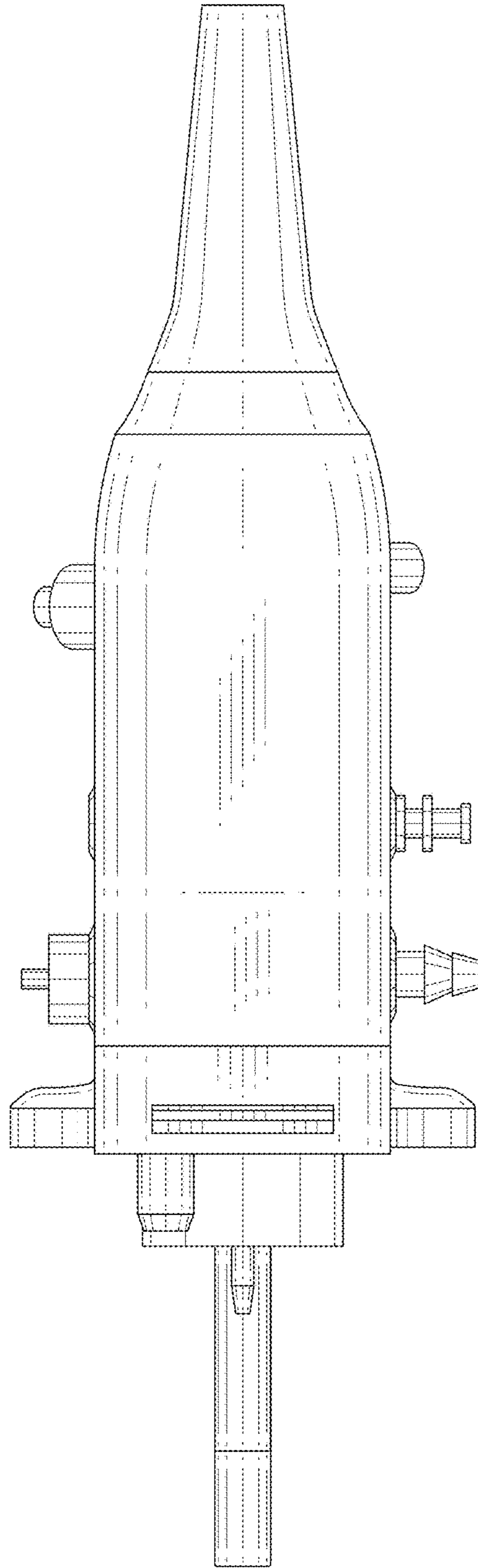


FIG. 7

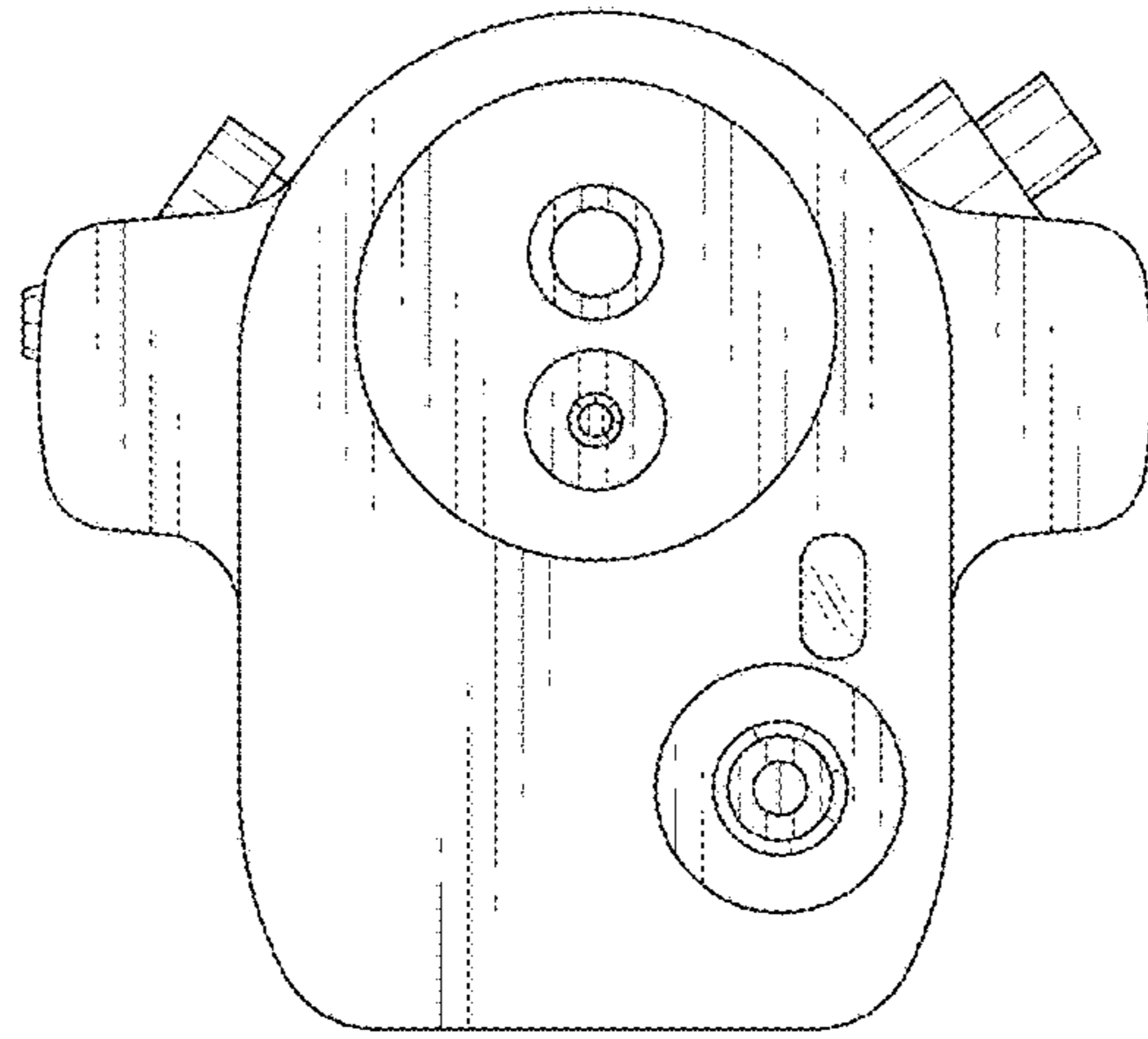


FIG. 8

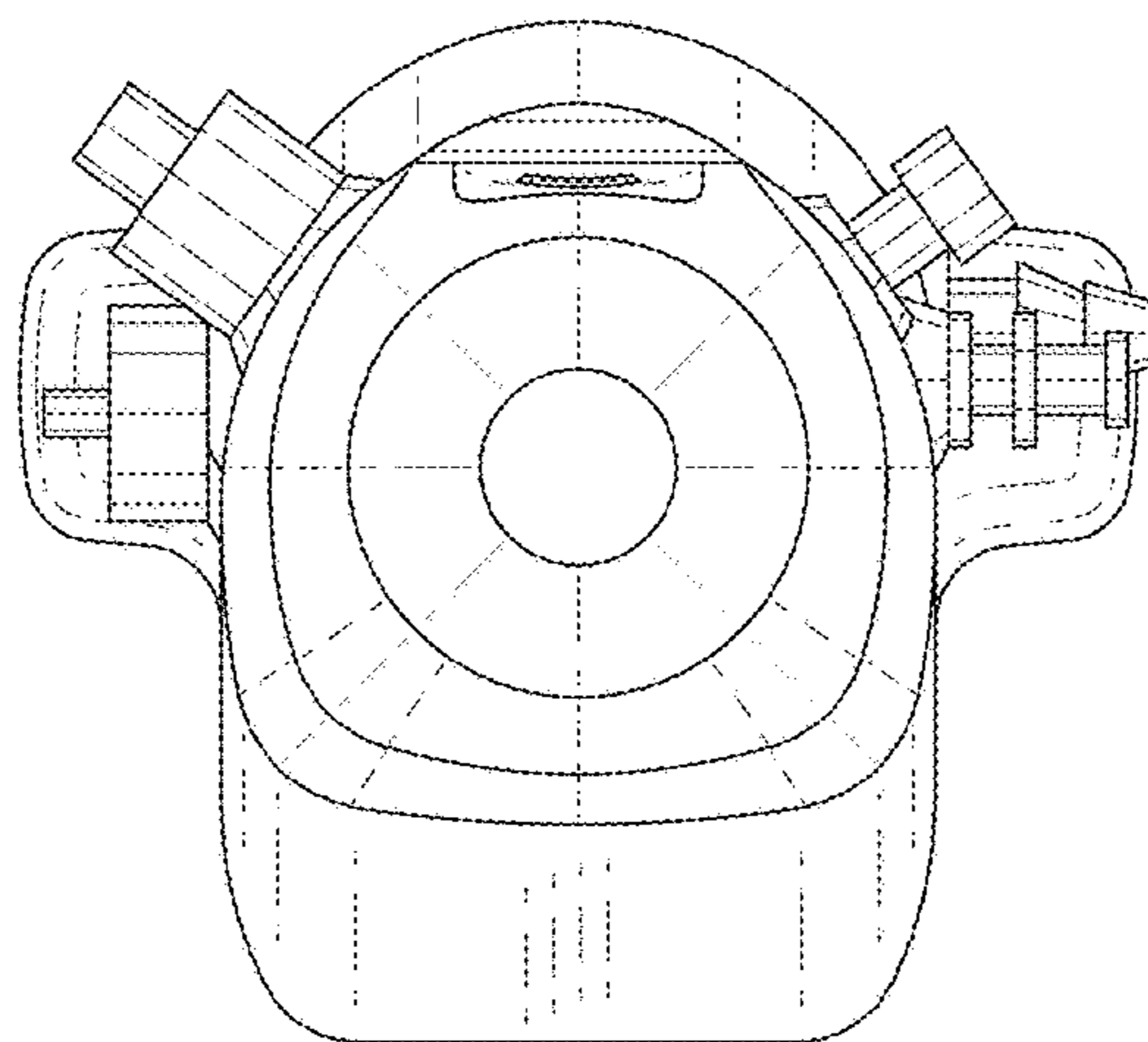


FIG. 9

