



US00D780914S

(12) **United States Design Patent** (10) **Patent No.:** **US D780,914 S**
Kyvik et al. (45) **Date of Patent:** **** Mar. 7, 2017**

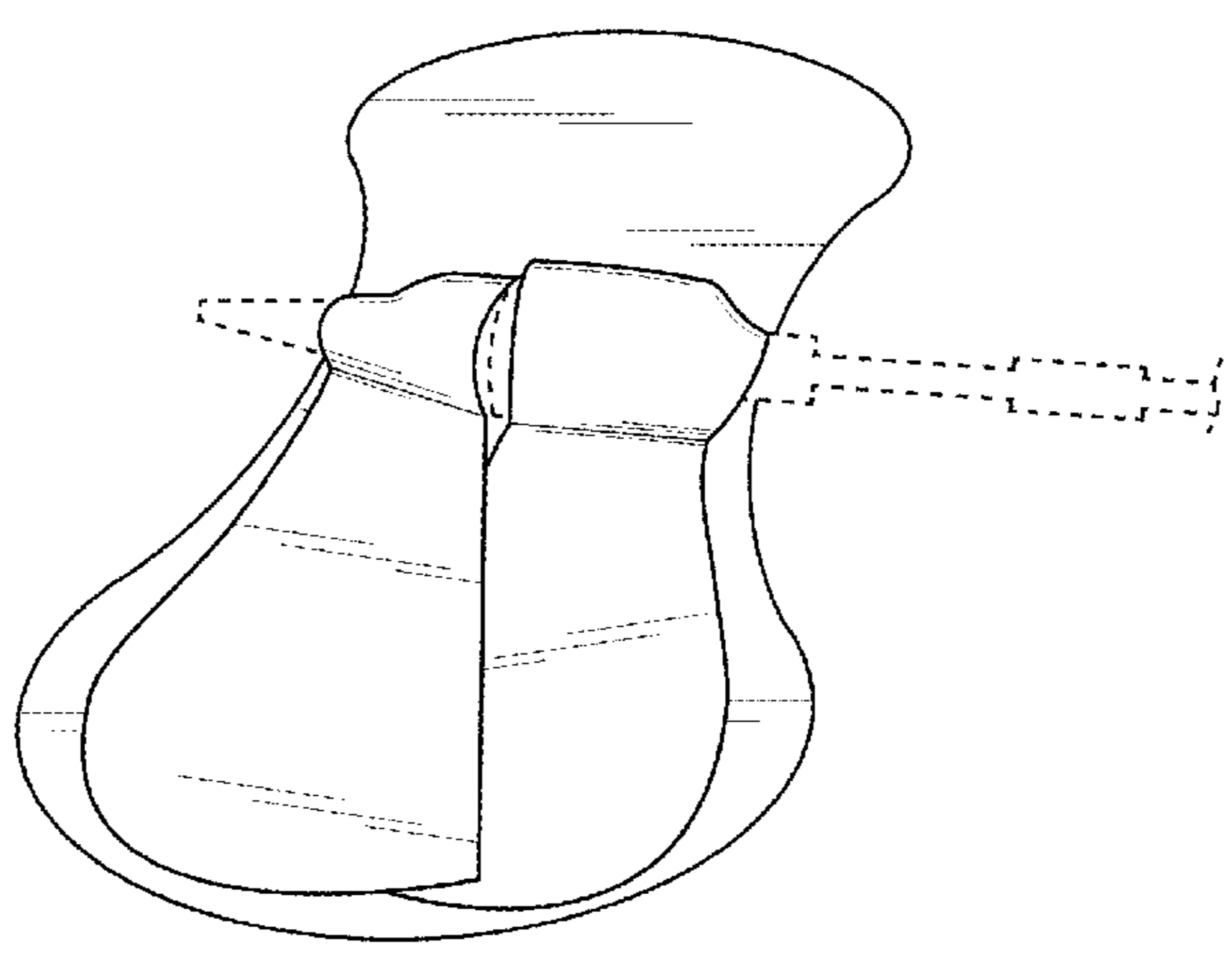
(54) **CATHETER ADHESIVE DEVICE** 4,690,675 A * 9/1987 Katz A61M 25/02
128/DIG. 26

(71) Applicant: **TIDI Products, LLC**, Neenah, WI 4,699,616 A 10/1987 Nowak et al.
(US) 4,717,385 A 1/1988 Cameron et al.
4,767,411 A 8/1988 Edmunds
4,822,342 A 4/1989 Brawner
(72) Inventors: **Kurt T. Kyvik**, Ocala, FL (US); 4,838,868 A 6/1989 Forgar et al.
Arthur Parkhurst, Ocala, FL (US) 4,863,432 A 9/1989 Kvalo
4,874,380 A 10/1989 Hesketh
4,915,694 A 4/1990 Yamamoto et al.
(73) Assignee: **TIDI Products, LLC**, Neenah, WI 5,037,397 A 8/1991 Kalk et al.
(US) 5,192,274 A 3/1993 Bierman
5,215,532 A 6/1993 Atkinson
(**) Term: **14 Years** 5,219,336 A 6/1993 Wilk
5,224,935 A 7/1993 Hollands
(21) Appl. No.: **29/501,593** 5,232,453 A 8/1993 Plass et al.
5,236,421 A 8/1993 Becher
(22) Filed: **Sep. 5, 2014** 5,282,791 A 2/1994 Lipton et al.
5,370,627 A 12/1994 Conway
(51) **LOC (10) Cl.** **24-02** 5,380,294 A 1/1995 Persson
(52) **U.S. Cl.** 5,413,562 A 5/1995 Swauger
USPC **D24/130** 5,653,224 A * 8/1997 Johnson A61F 5/08
128/200.24

(58) **Field of Classification Search** 5,685,859 A 11/1997 Kornerup
USPC D24/127-130, 132, 188-189; 604/187, 5,693,032 A * 12/1997 Bierman A61M 25/02
604/227, 180, 174; 602/58-59, 46, 41, 604/174
602/52; 128/DIG. 26 5,722,959 A * 3/1998 Bierman A61M 25/02
128/DIG. 26
CPC A61M 25/02; A61M 2025/0206; A61M 6,165,156 A * 12/2000 Cesarczyk A61M 25/02
2025/024; A61M 2025/0266; A61M 128/DIG. 26
2025/028; A61M 2025/0246; Y10S
128/26
See application file for complete search history.

(56) **References Cited**
U.S. PATENT DOCUMENTS

3,138,158 A	6/1964	Gordon et al.	D462,765 S *	9/2002	Niermann D24/112
3,167,072 A	1/1965	Stone et al.	D470,936 S	2/2003	Bierman
3,826,254 A	7/1974	Mellor	6,689,104 B2	2/2004	Bierman
3,834,380 A	9/1974	Boyd	D492,411 S	6/2004	Bierman
3,918,446 A	11/1975	Buttaravoli	6,765,122 B1	7/2004	Stout
3,973,565 A	8/1976	Steer	6,770,055 B2	8/2004	Bierman et al.
4,129,128 A	12/1978	McFarlane	6,827,706 B2	12/2004	Tollini
4,250,880 A	2/1981	Gordon	6,837,875 B1	1/2005	Bierman
4,353,369 A *	10/1982	Muetterties A61M 25/0637 128/DIG. 26	6,866,652 B2	3/2005	Bierman
4,460,356 A	7/1984	Moseley	D503,977 S	4/2005	Bierman
4,490,141 A	12/1984	Lacko et al.	6,875,200 B1	4/2005	Ajagbe
4,519,793 A	5/1985	Galindo	6,929,625 B2	8/2005	Bierman
			6,951,550 B2	10/2005	Bierman
			6,979,320 B2	12/2005	Bierman
			7,018,362 B2	3/2006	Bierman et al.
			D528,206 S	9/2006	Bierman
			7,137,968 B1	11/2006	Burrell et al.
			D572,819 S *	7/2008	Puhasmagi D24/130



7,524,307	B2	4/2009	Davis et al.	
7,637,894	B2	12/2009	Fleisher	
D608,444	S	1/2010	Kyvik et al.	
D608,887	S	1/2010	Kyvik et al.	
7,648,485	B2	1/2010	Fleisher	
D616,091	S	5/2010	Kyvik et al.	
D616,542	S	5/2010	Kyvik et al.	
D616,983	S	6/2010	Kyvik et al.	
7,762,986	B2 *	7/2010	Wang	A61M 25/0631 604/110
7,766,880	B1	8/2010	Spinoza	
D625,002	S	10/2010	Kyvik et al.	
7,812,212	B2	10/2010	Propp et al.	
D652,509	S	1/2012	Kyvik et al.	
8,128,602	B2	3/2012	Tollini et al.	
8,157,770	B2	4/2012	Elwell et al.	
D663,834	S	7/2012	Kyvik et al.	
8,241,253	B2	8/2012	Bracken	
8,251,957	B2	8/2012	Kyvik et al.	
8,500,698	B2	8/2013	Kyvik et al.	
8,540,680	B2 *	9/2013	Burn	A61M 5/158 604/174
8,591,471	B1 *	11/2013	Marble	A61M 25/02 604/174
8,608,706	B2	12/2013	Davis et al.	
8,636,699	B2 *	1/2014	Russo	A61M 25/02 604/174
8,636,701	B2 *	1/2014	Henry	A61M 25/02 604/174
8,734,400	B2 *	5/2014	Ciccone	A61M 25/02 604/174
8,834,427	B2	9/2014	Kyvik et al.	
D715,927	S *	10/2014	Kyvik	D24/128
D715,928	S	10/2014	Kyvik et al.	
D717,946	S *	11/2014	Kyvik	D24/128
2002/0195114	A1	12/2002	Tollini	
2005/0119635	A1 *	6/2005	Crawford	A61M 5/3216 604/500
2007/0066960	A1 *	3/2007	Jones	A61B 5/150656 604/506
2007/0260190	A1 *	11/2007	Lin	A61M 25/0631 604/192
2009/0137961	A1 *	5/2009	Bracken	A61M 25/02 604/177
2009/0259201	A1 *	10/2009	Hwang	A61B 5/1405 604/263
2009/0306601	A1 *	12/2009	Shaw	A61M 5/158 604/177
2010/0004605	A1 *	1/2010	Luther	A61M 5/158 604/263
2010/0298778	A1	11/2010	Bracken	
2011/0021997	A1	1/2011	Kyvik et al.	
2012/0071831	A1 *	3/2012	Erskine	A61M 25/0631 604/164.08
2012/0083743	A1 *	4/2012	Kyvik	A61M 25/02 604/180
2012/0265147	A1 *	10/2012	Andino	A61M 25/02 604/178
2012/0316504	A1	12/2012	Kyvik et al.	
2013/0096507	A1	4/2013	Lefevre	
2013/0150796	A1	6/2013	Souza et al.	
2013/0281972	A1 *	10/2013	Newby	A61B 5/1405 604/506
2015/0051549	A1 *	2/2015	Kyvik	A61M 25/02 604/180
2015/0224285	A1 *	8/2015	Howell	A61M 25/02 604/180
2015/0367085	A1 *	12/2015	Ravikumar	A61M 5/427 604/510
2016/0067451	A1 *	3/2016	Kyvik	A61M 25/02 604/500
2016/0151607	A1 *	6/2016	Kyvik	B62D 21/152 604/180
2016/0206857	A1 *	7/2016	Mitchell	A61M 25/02

FOREIGN PATENT DOCUMENTS

CN	203123273	8/2013
DE	20020326 U1	2/2001
EP	0408389	1/1991
GB	2454662 A	4/2010
KR	20-2008-0004611	10/2008
KR	10-2010-0114171	10/2010

* cited by examiner

Primary Examiner — David Muller

Assistant Examiner — Nathan Johnston

(74) Attorney, Agent, or Firm — Boyle Fredrickson, S.C.

(57) CLAIM

The ornamental design for catheter adhesive device, as shown and described.

DESCRIPTION

FIG. 1 is a perspective view of a catheter adhesive device showing my new design in place and fully securing a catheter and luer connector extension set; FIG. 2 is a top plan view thereof with an adhesive tab removed from the luer connector extension set, exposing adhesive, and a portion of the catheter adhesive device partially securing a catheter; FIG. 3 is a bottom plan view thereof with an adhesive protection partially removed from the bottom of the catheter adhesive device; FIG. 4 is a bottom plan view thereof with adhesive protection partially removed from adhesive on the bottom of the catheter adhesive device; FIG. 5 is a side elevation view thereof with all adhesive protection in place; FIG. 6 is a top plan view thereof with the adhesive protection fully removed from the adhesive tabs; FIG. 7 is a bottom plan view thereof with the adhesive protection fully removed; FIG. 8 is a perspective view of a catheter adhesive device showing my new design, according to an alternate embodiment, in place and fully securing a catheter and liter connector extension set; FIG. 9 is a top plan view thereof with an adhesive tab removed from the luer connector extension set, exposing adhesive, and a portion of the catheter adhesive device partially securing a catheter; FIG. 10 is a bottom plan view thereof with an adhesive protection partially removed from the bottom of the catheter adhesive device; FIG. 11 is a bottom plan view thereof with adhesive protection partially removed from adhesive on the bottom of the catheter adhesive device; FIG. 12 is a side elevation view thereof with all adhesive protection in place; FIG. 13 is a top plan view thereof with the adhesive protection fully removed from the adhesive tabs; and, FIG. 14 is a bottom plan view thereof with the adhesive protection fully removed. The broken lines in the figures illustrate environmental structures and portions of the design that form no part of the claimed design. Stippling represents exposed adhesive.

1 Claim, 6 Drawing Sheets

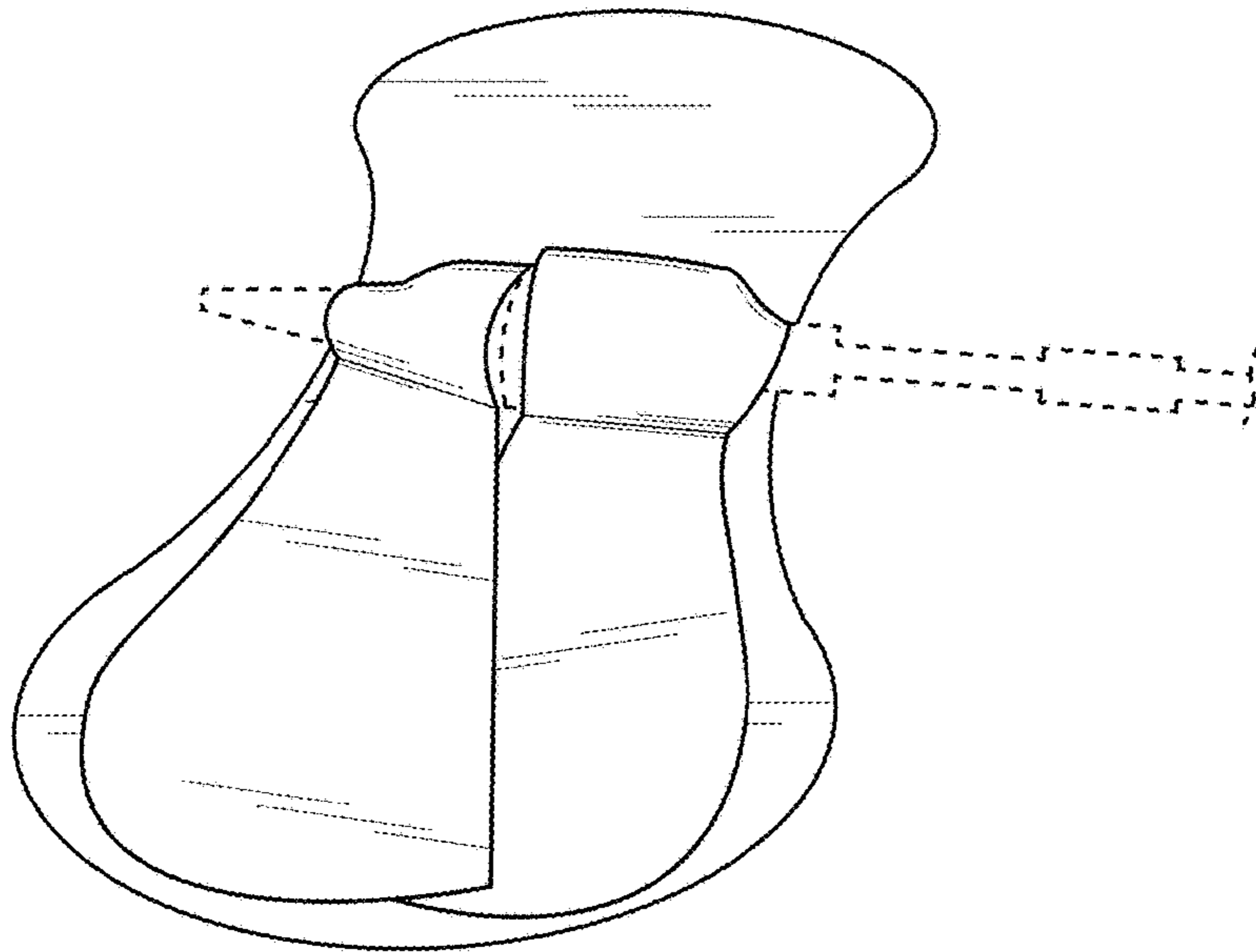


FIG. 1

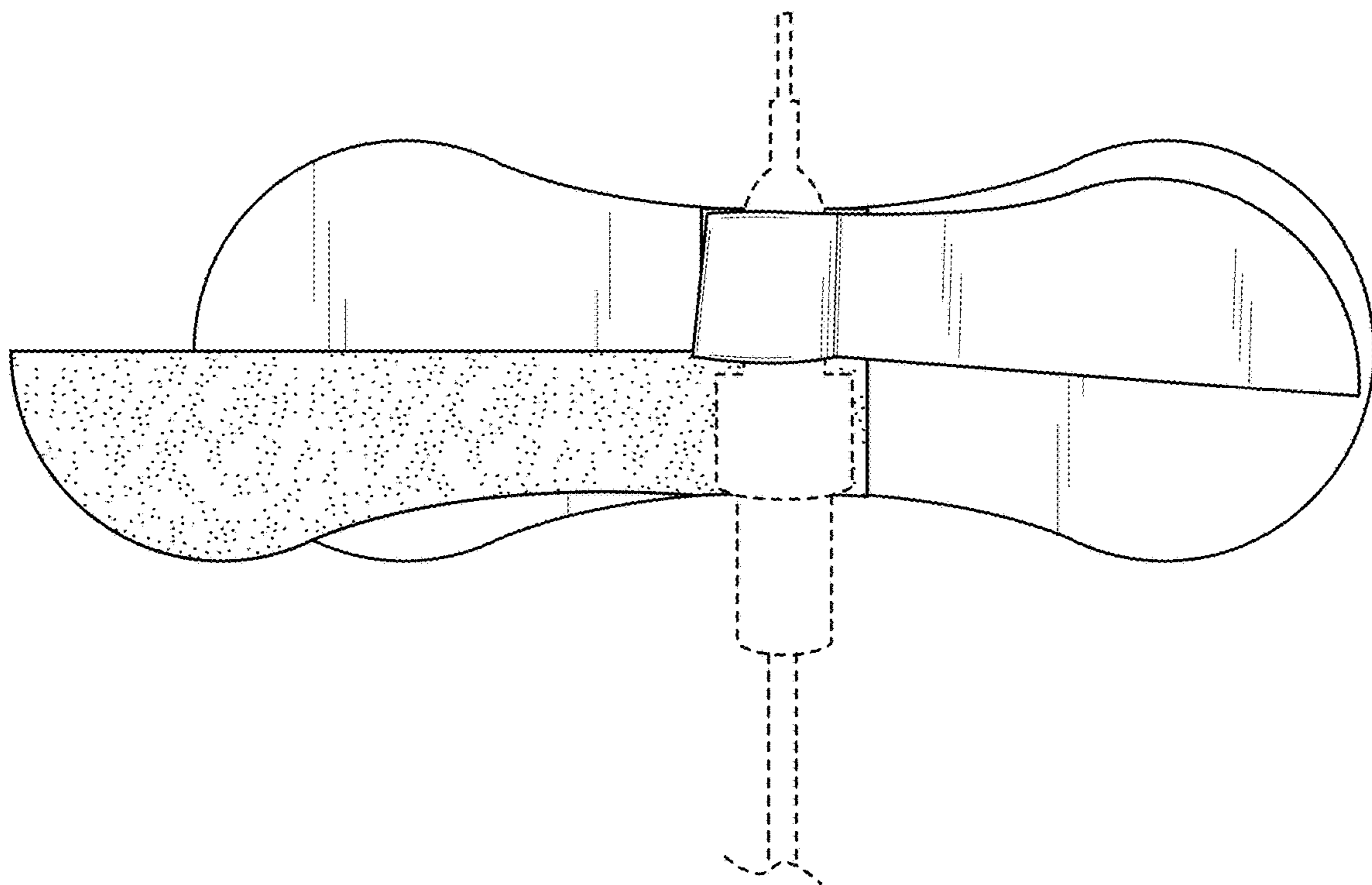


FIG. 2

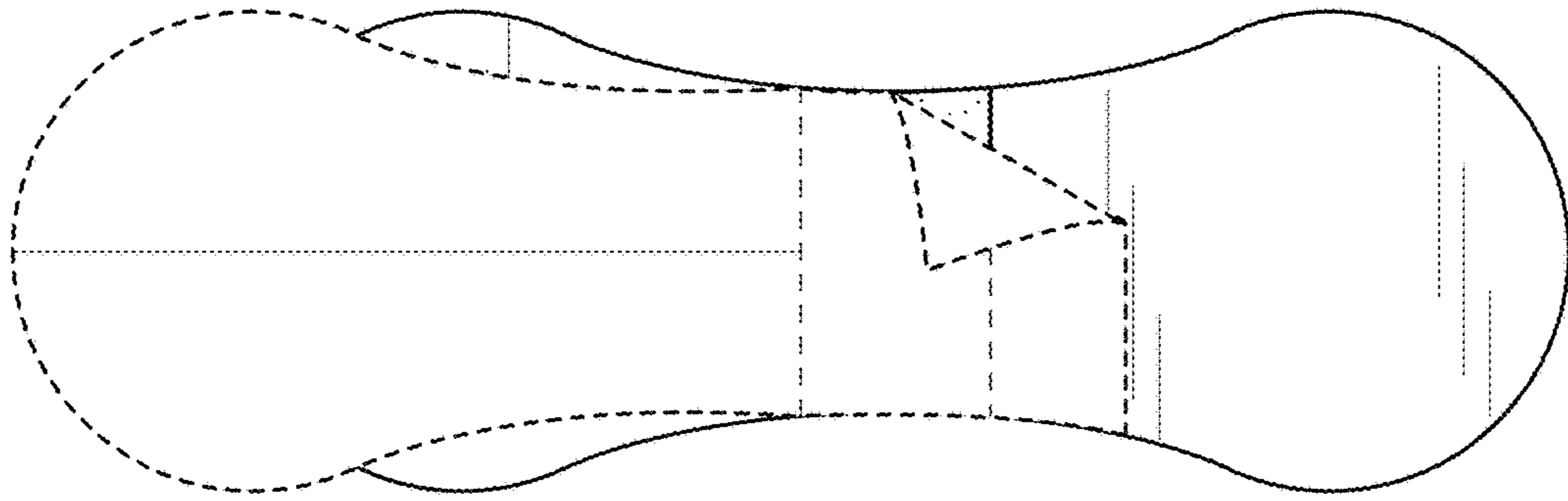


FIG. 3

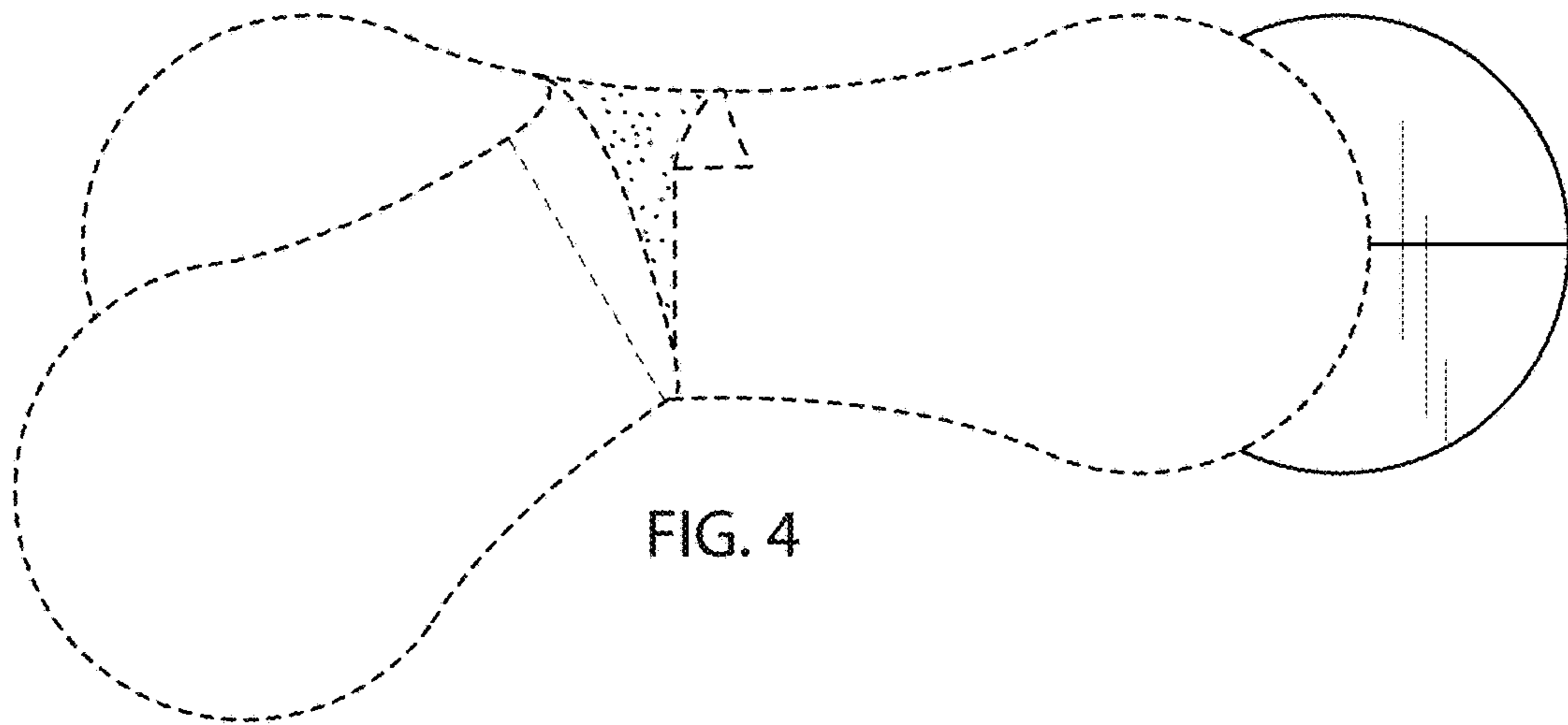


FIG. 4

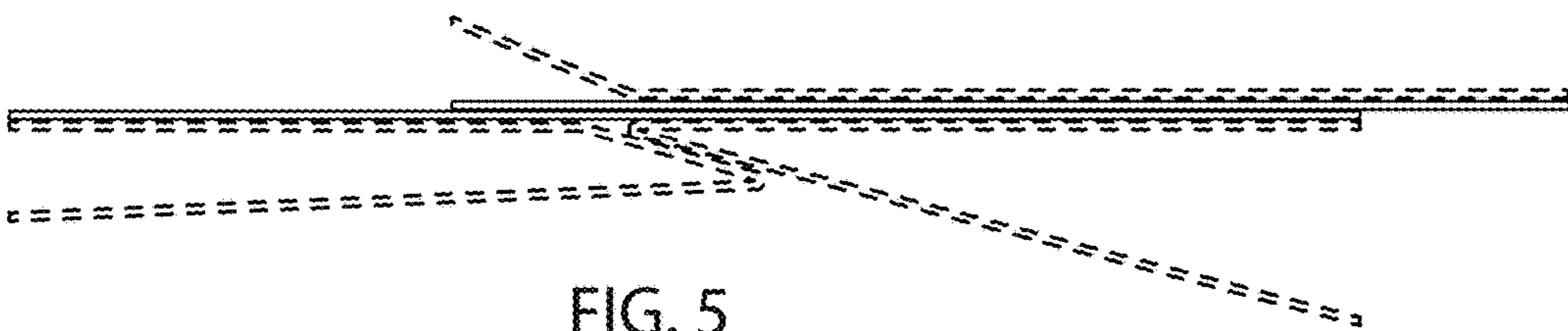


FIG. 5

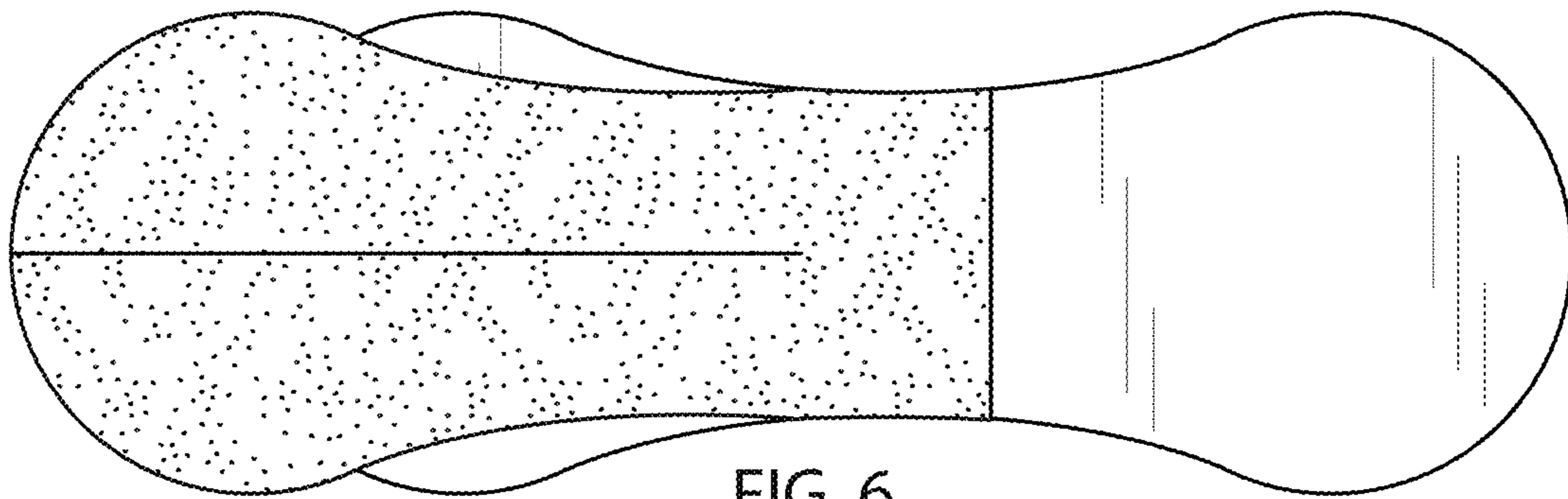


FIG. 6

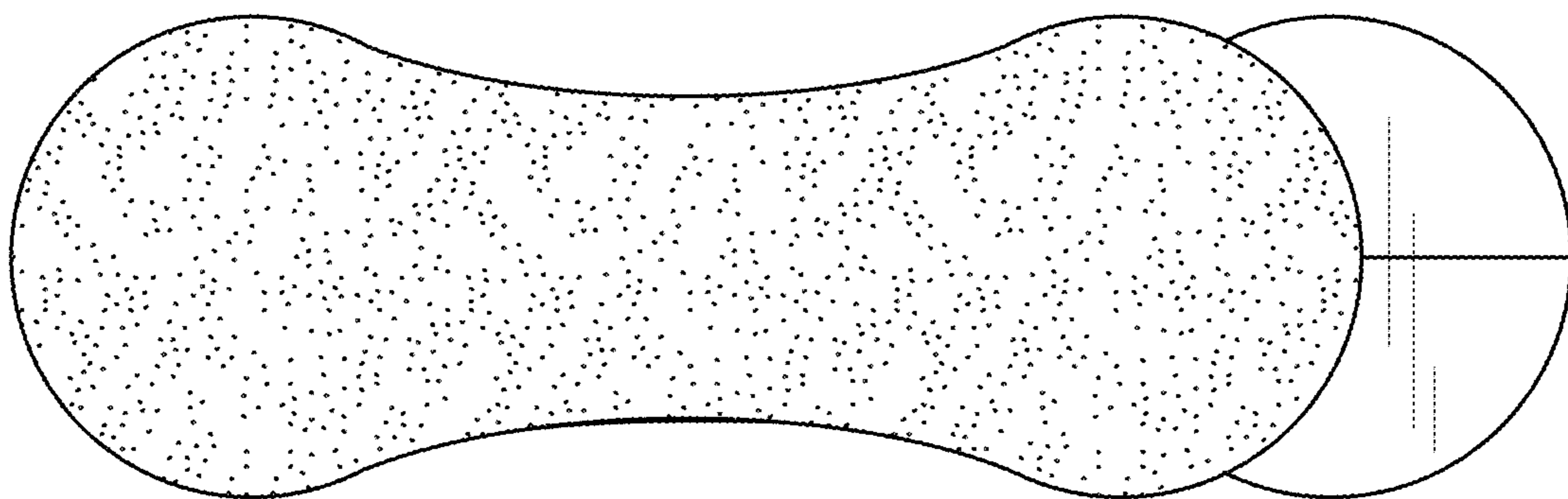


FIG. 7

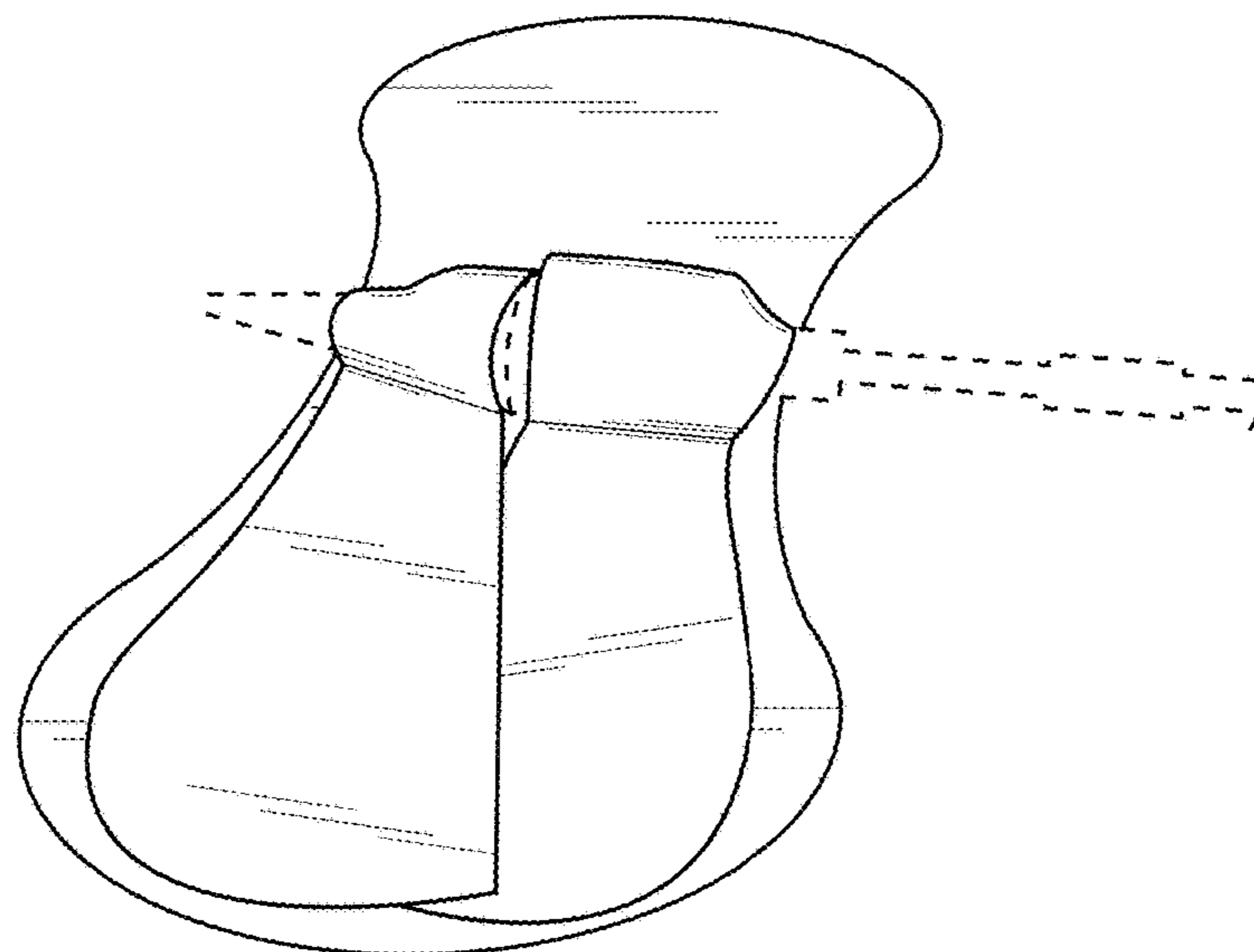


FIG. 8

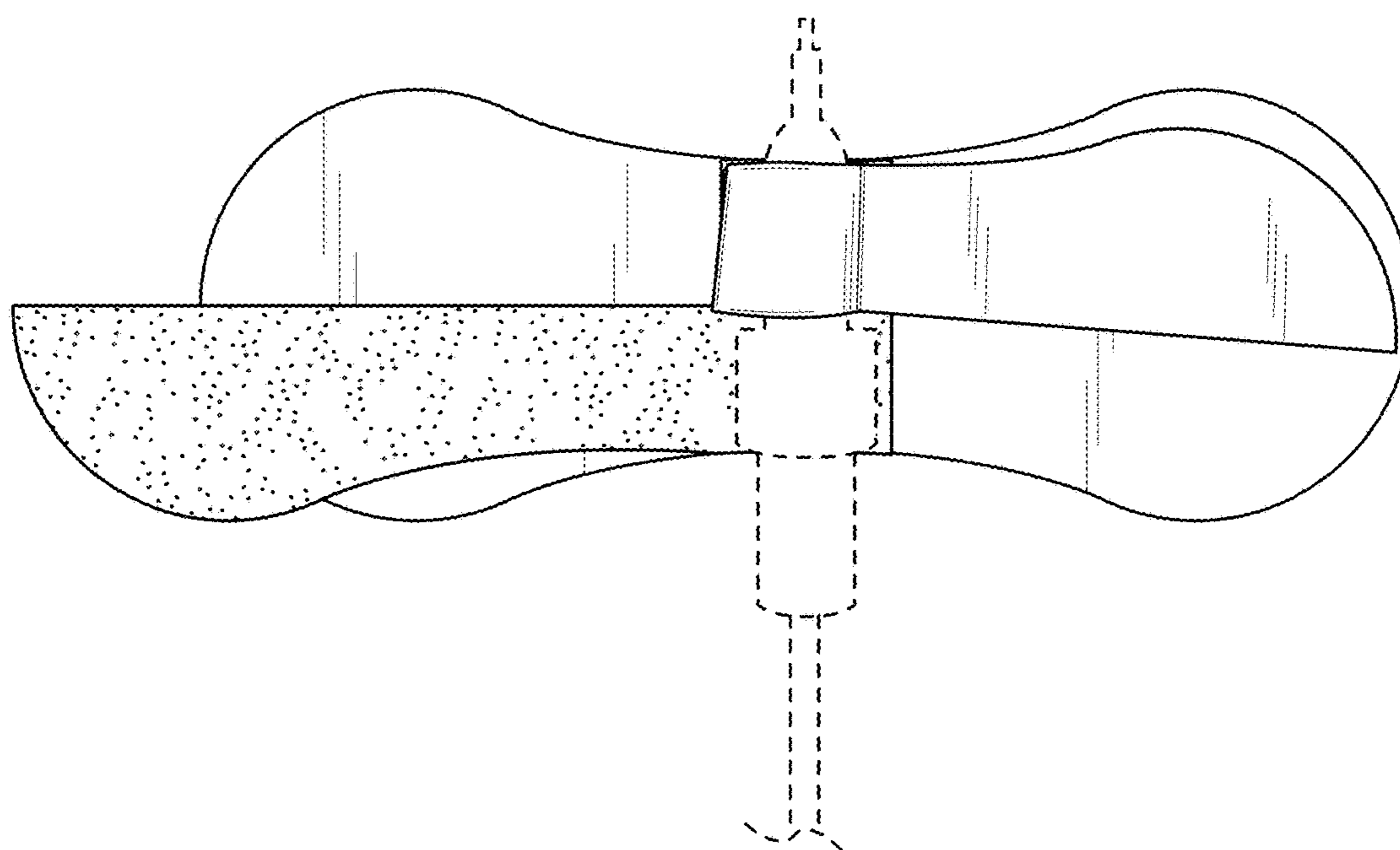


FIG. 9

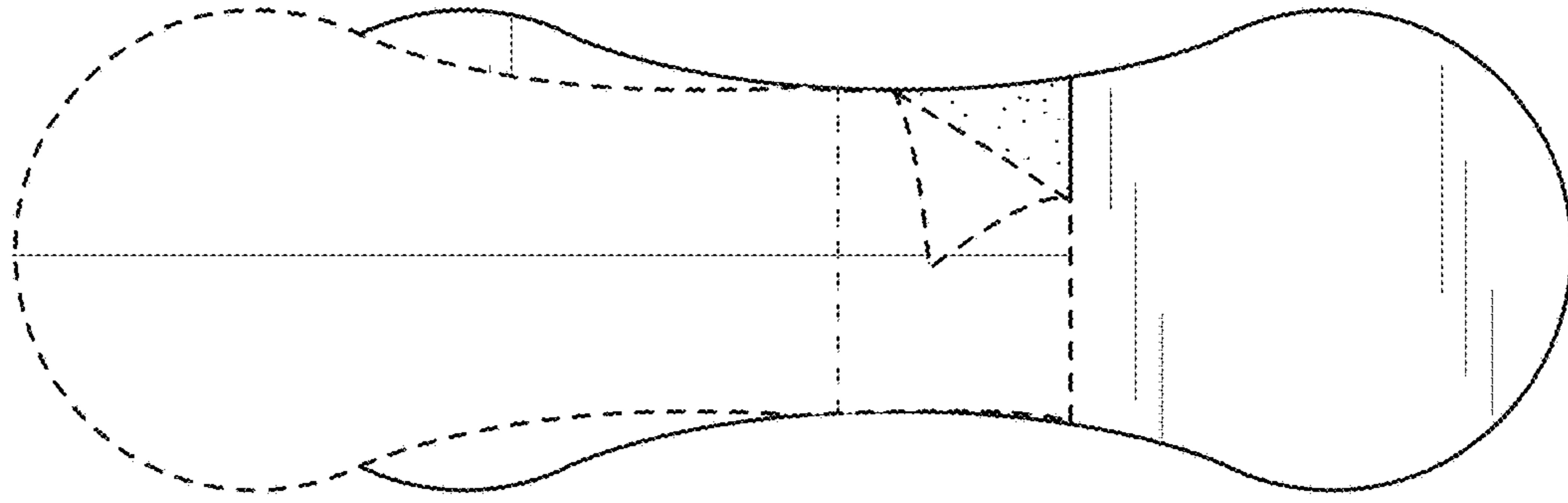


FIG. 10

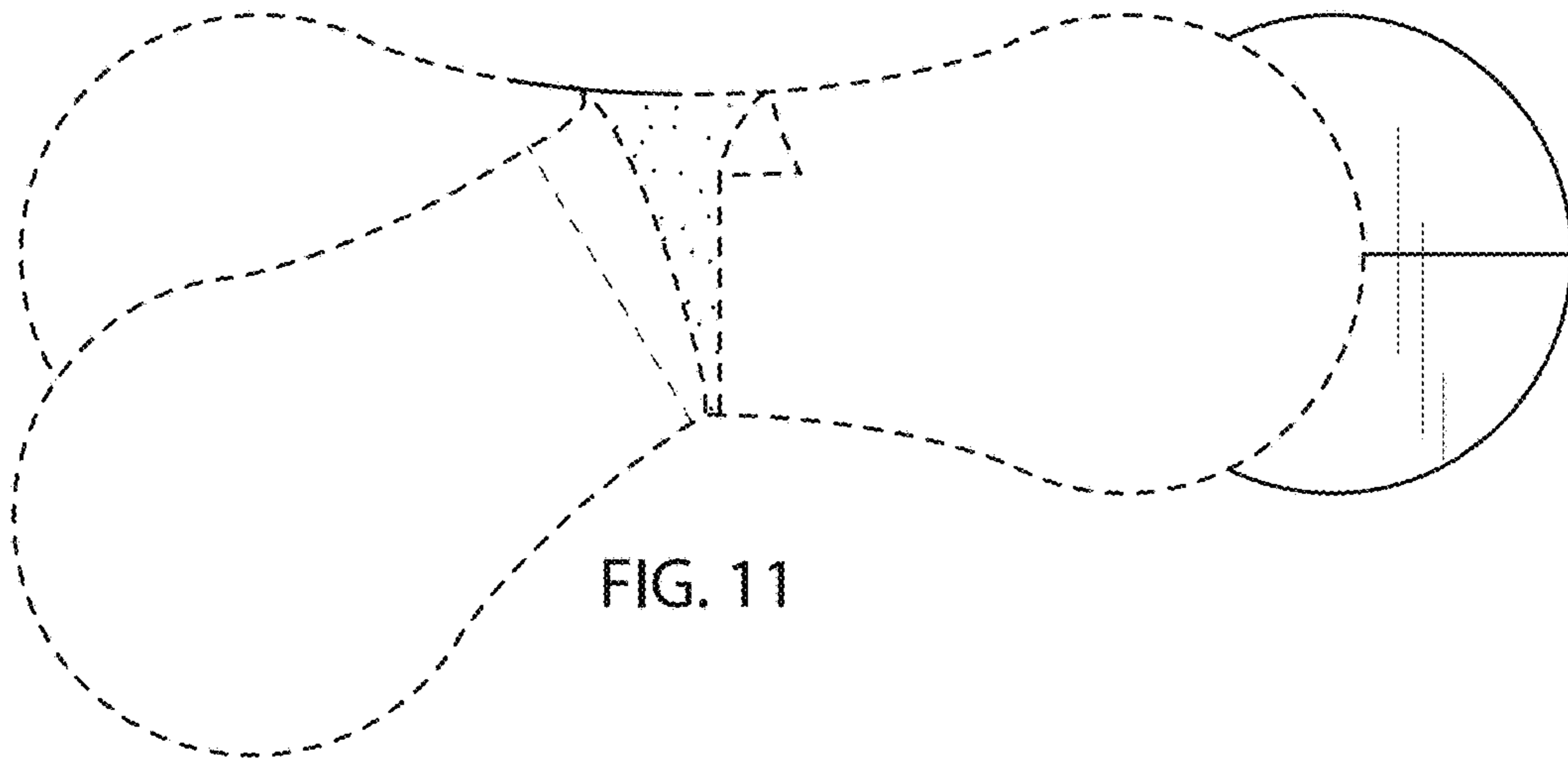


FIG. 11

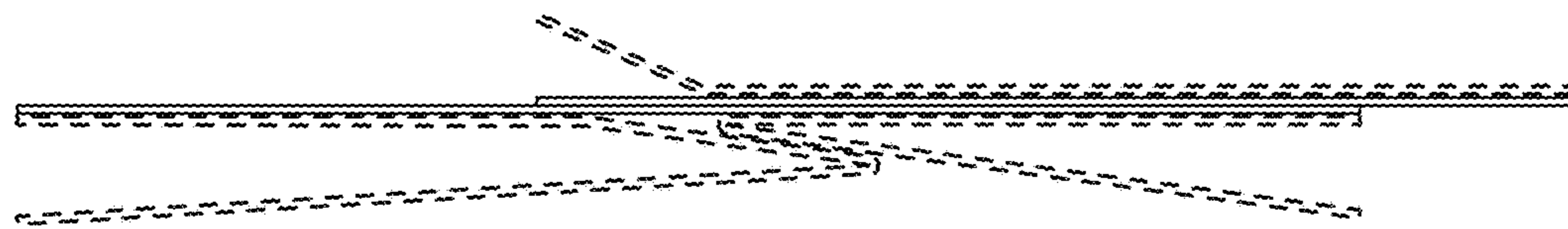


FIG. 12

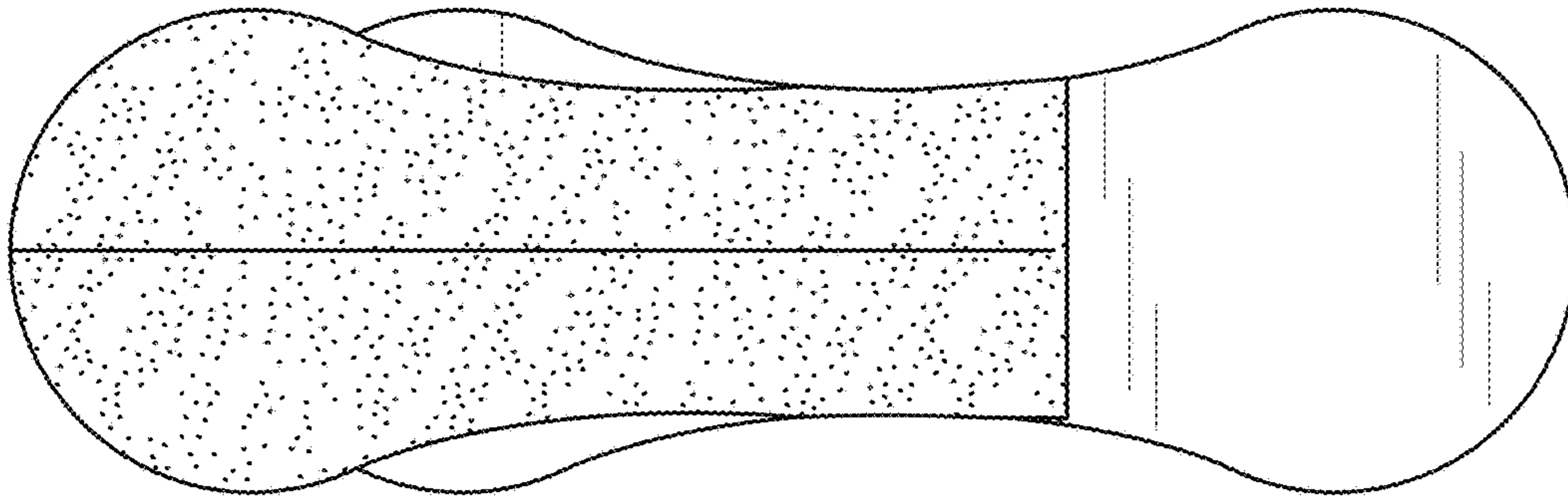


FIG. 13

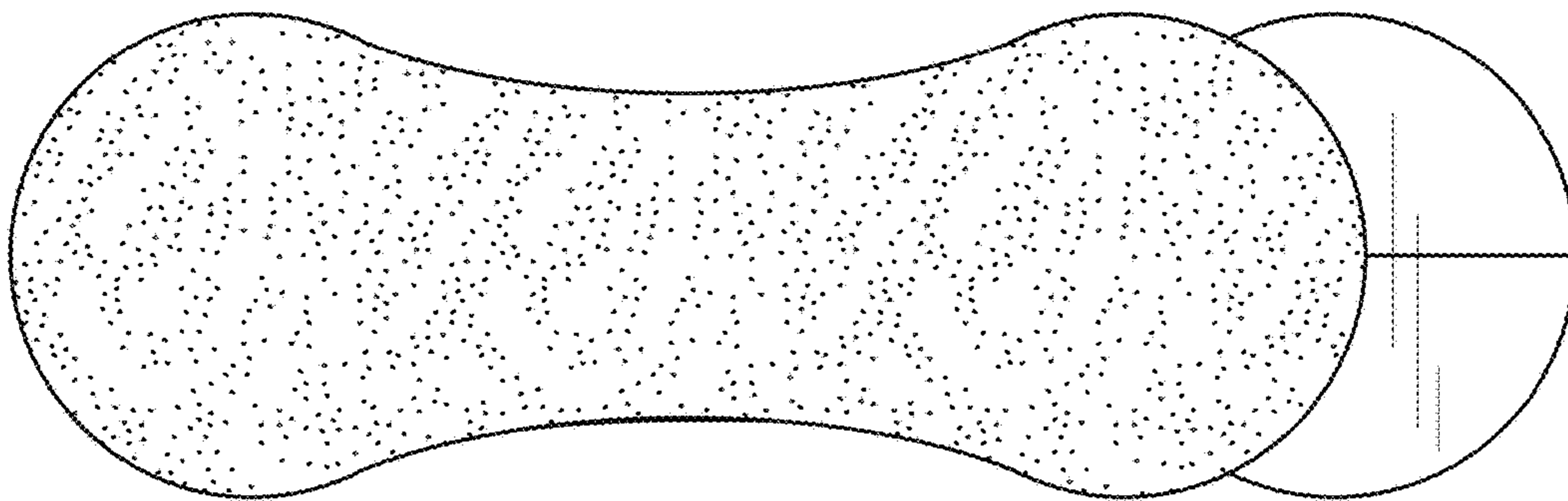


FIG. 14