



US00D780913S

(12) **United States Design Patent**
Murasawa et al.

(10) **Patent No.:** **US D780,913 S**
(45) **Date of Patent:** **** Mar. 7, 2017**

- (54) **SYRINGE BARREL**
- (71) Applicant: **NIPRO CORPORATION**, Osaka-shi,
Osaka (JP)
- (72) Inventors: **Toshiharu Murasawa**, Osaka (JP);
Atsushi Ichimiya, Osaka (JP)
- (73) Assignee: **NIPRO CORPORATION**, Osaka-Shi
(JP)

5,591,133 A * 1/1997 Feuerborn A61M 5/3275
604/192
D448,844 S * 10/2001 Reis D24/112
D453,830 S * 2/2002 McDowell D24/108
(Continued)

- (**) Term: **14 Years**
- (21) Appl. No.: **29/480,296**
- (22) Filed: **Jan. 24, 2014**

Primary Examiner — David Muller
(74) *Attorney, Agent, or Firm* — Birch, Stewart, Kolasch
& Birch, LLP

(30) **Foreign Application Priority Data**

Jul. 25, 2013 (JP) 2013-017008
Jul. 25, 2013 (JP) 2013-017010
Jul. 25, 2013 (JP) 2013-017011

- (51) **LOC (10) Cl.** **24-02**
- (52) **U.S. Cl.**
USPC **D24/130**

- (58) **Field of Classification Search**
USPC D24/112–114, 129, 130, 127, 133, 186,
D24/108; 606/181, 185; 604/264, 500,
604/506, 272, 115, 164.01–164.09, 533,
604/232, 187, 168.01, 192, 19, 48, 93.01,
604/523, 524, 526; 600/101, 139, 143;
128/200.24, 207.14, 207.15
CPC A61M 5/178; A61M 3/00; A61M 5/20;
A61M 5/31; A61M 5/3146; A61M
5/3129; A61M 5/3148; A61M 5/315
See application file for complete search history.

(56) **References Cited**

U.S. PATENT DOCUMENTS

- 4,484,915 A * 11/1984 Tartaglia A61M 5/3148
604/227
- 5,230,707 A * 7/1993 Laderoute A61J 1/1406
604/415

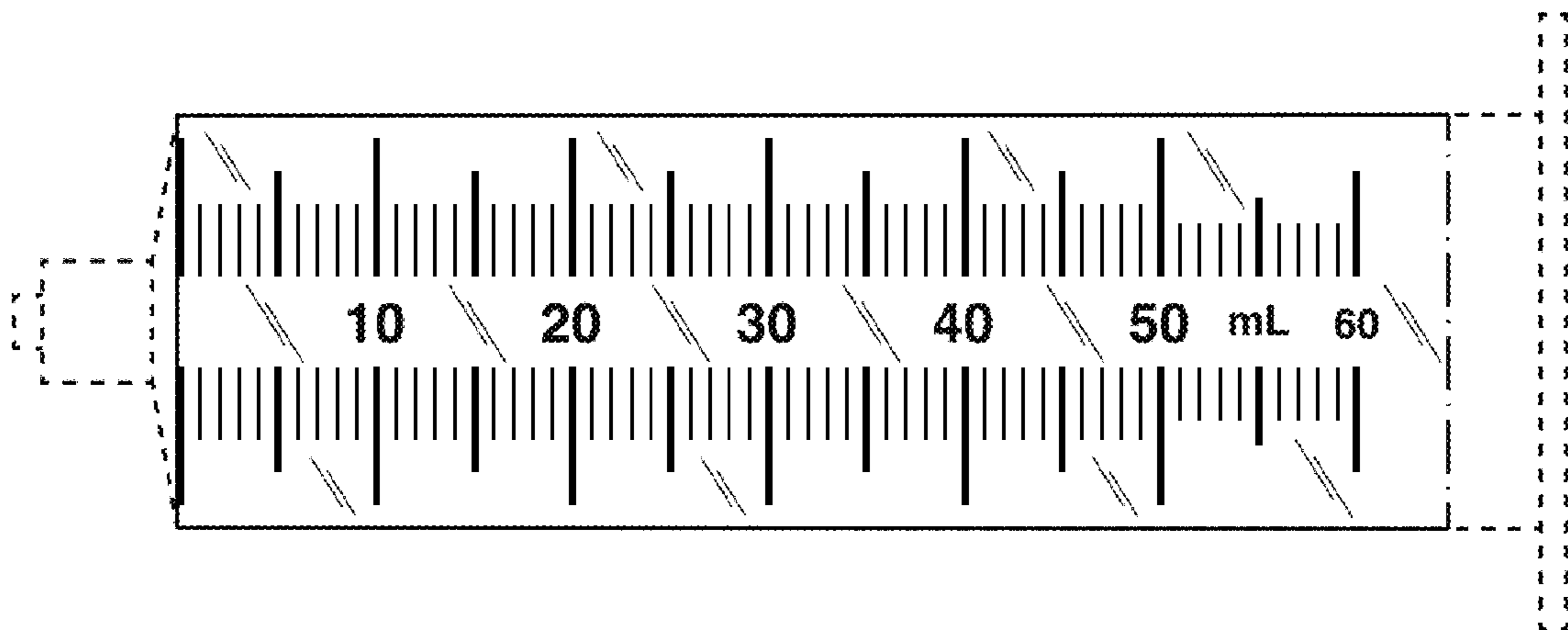
(57) **CLAIM**

The ornamental design for a syringe barrel, as shown and described.

DESCRIPTION

FIG. 1 is a front view of a syringe barrel showing our new design in a first environment;
FIG. 2 is a rear view thereof;
FIG. 3 is a left side view thereof;
FIG. 4 is a right side view thereof;
FIG. 5 is a top view thereof
FIG. 6 is a bottom view thereof;
FIG. 7 is a front view of a syringe barrel showing our new design in a second environment;
FIG. 8 is a rear view thereof;
FIG. 9 is a left side view thereof;
FIG. 10 is a right side view thereof;
FIG. 11 is a top view thereof; and,
FIG. 12 is a bottom view thereof.
The dash dot lines immediately adjacent to the claimed areas in the views represent the boundaries of the claimed design. The dashed lines in the figures illustrate the portions of the design that form no part of the claimed design. None of the broken lines form any part of the claimed design.
This article is transparent except letters and graduations.

1 Claim, 6 Drawing Sheets



(56)

References Cited

U.S. PATENT DOCUMENTS

6,511,472 B1 * 1/2003 Hayman A61M 25/0097
604/533
6,719,735 B1 * 4/2004 Gammon A61M 5/3148
604/218
7,364,569 B2 * 4/2008 Shih A61M 5/322
604/110
7,431,712 B2 * 10/2008 Kim A61M 5/36
604/256
D597,204 S * 7/2009 Oberlaender D24/133
7,727,183 B2 * 6/2010 Sharon A61M 5/24
604/89
D641,078 S * 7/2011 Morgan D24/114
8,092,424 B2 * 1/2012 Mueller A61M 5/321
604/110
D661,389 S * 6/2012 Morgan D24/114
D667,950 S * 9/2012 Hyun D24/130
8,361,055 B2 * 1/2013 Tucker A61M 5/3129
604/416
8,632,521 B2 * 1/2014 Odell A61M 5/3129
604/508

* cited by examiner

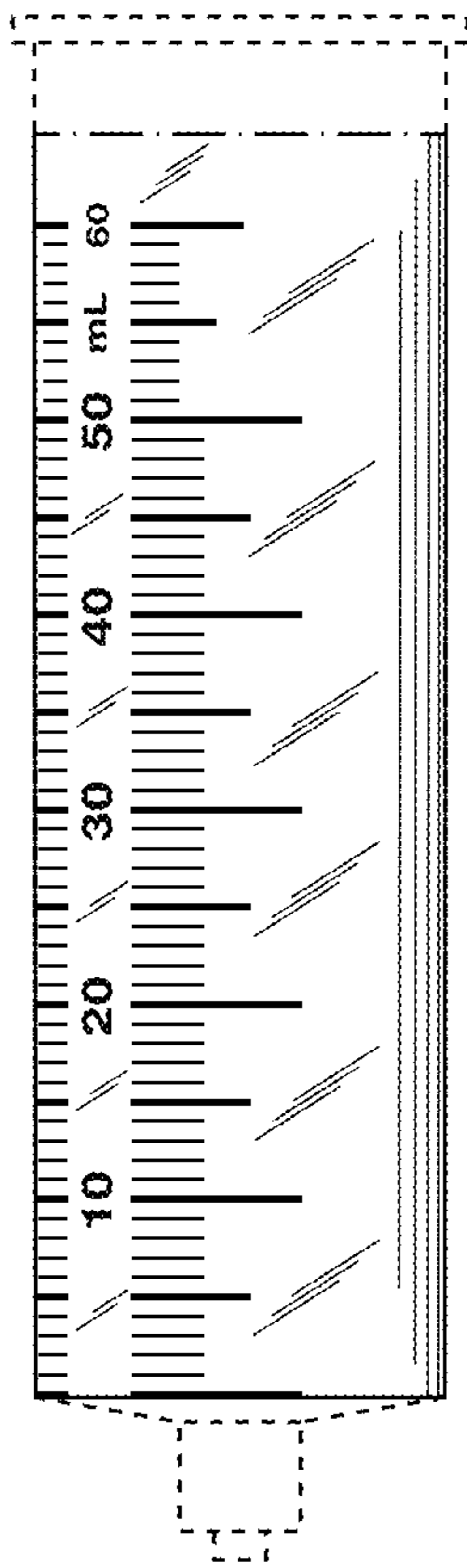


FIG. 1

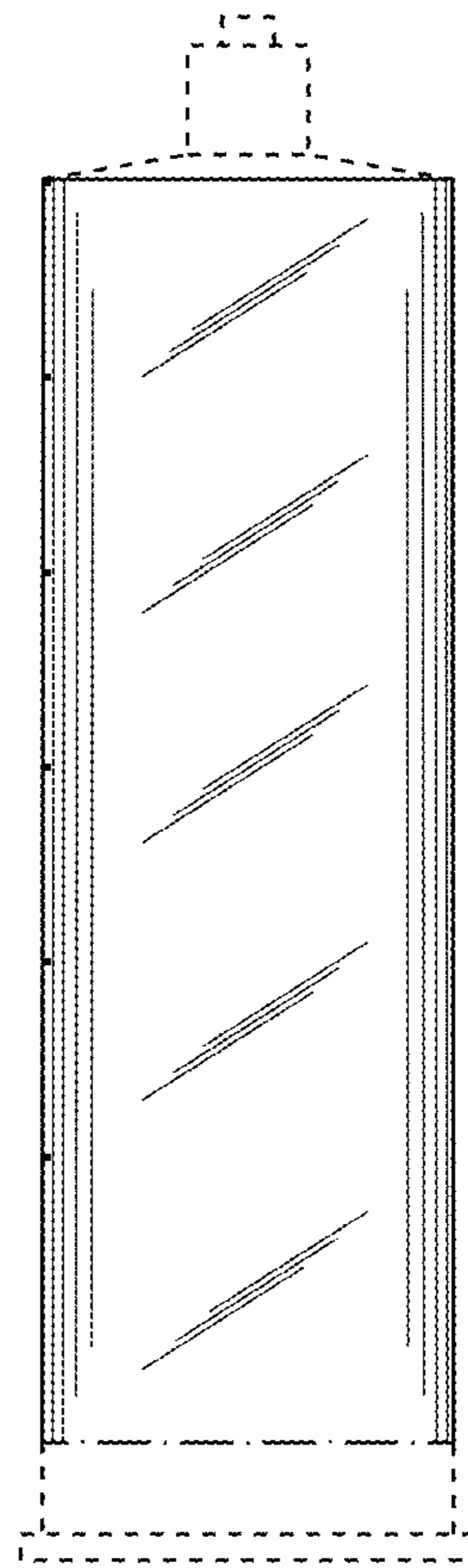


FIG. 2

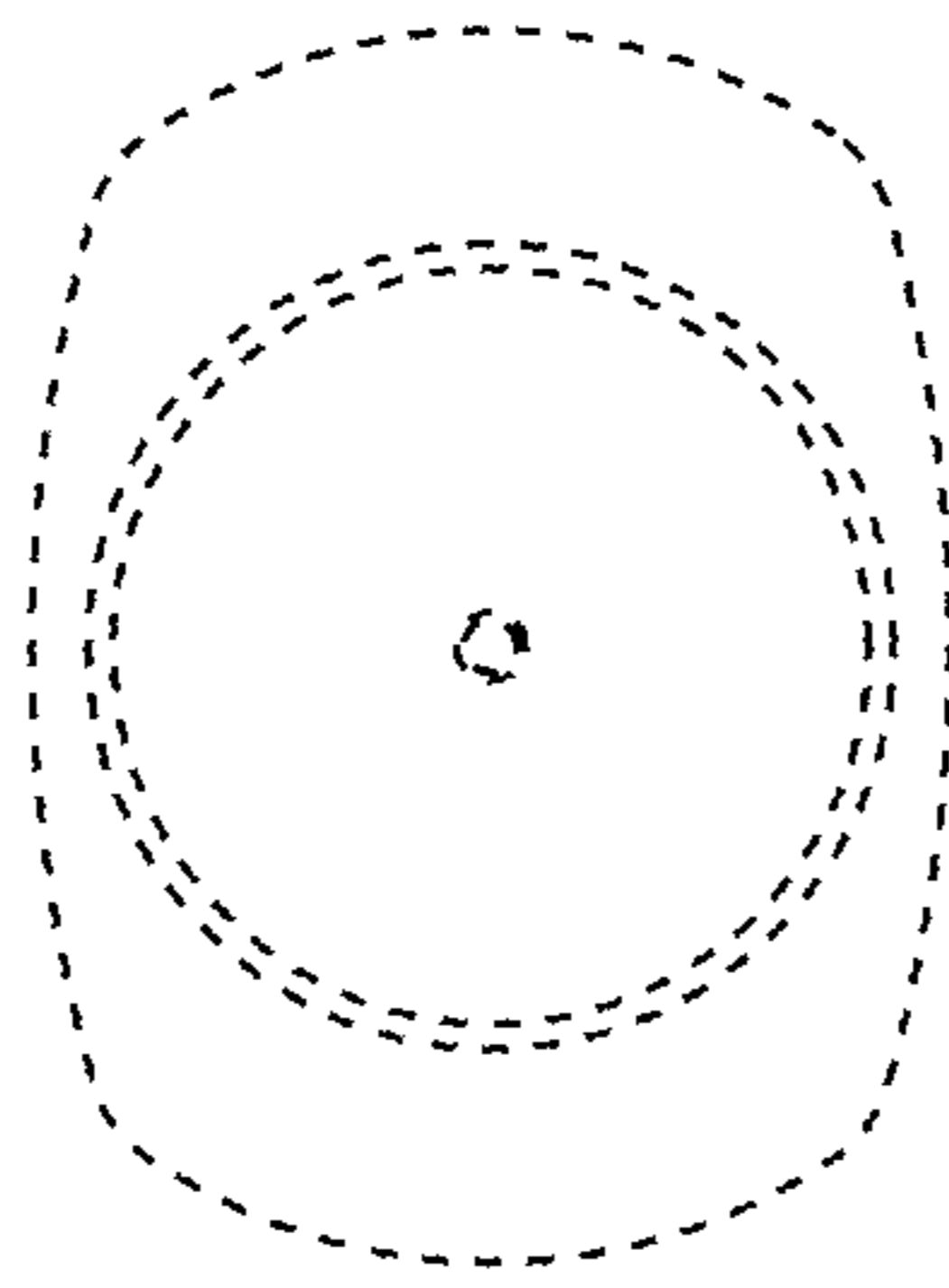


FIG. 3

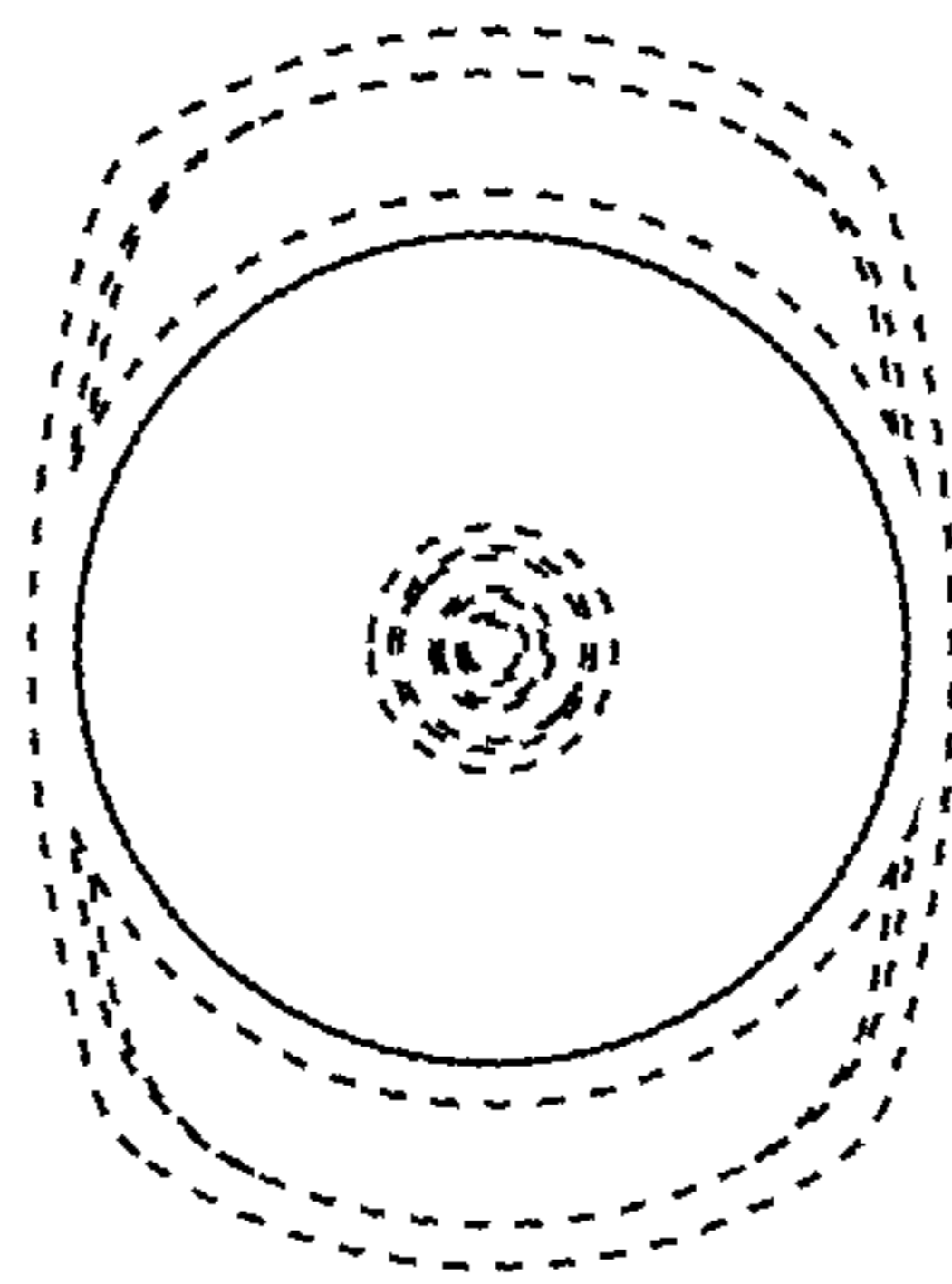


FIG. 4

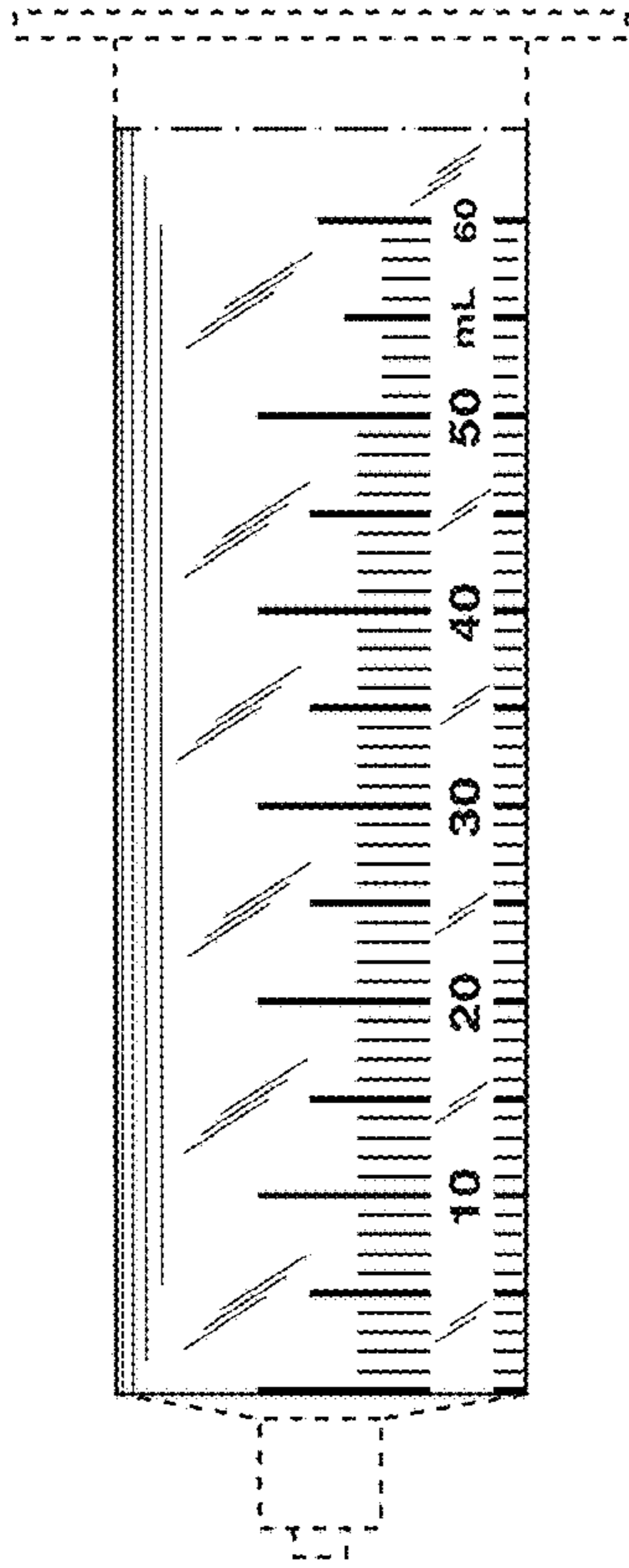


FIG. 5

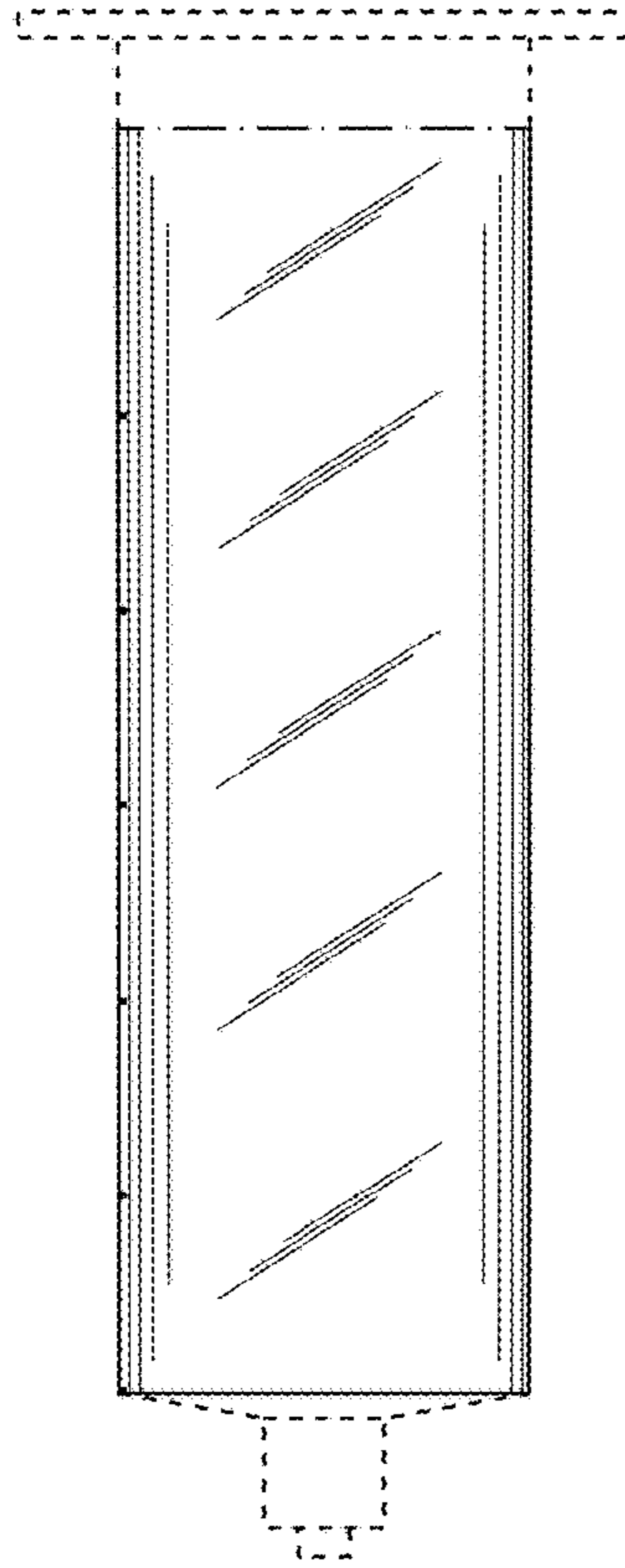


FIG. 6

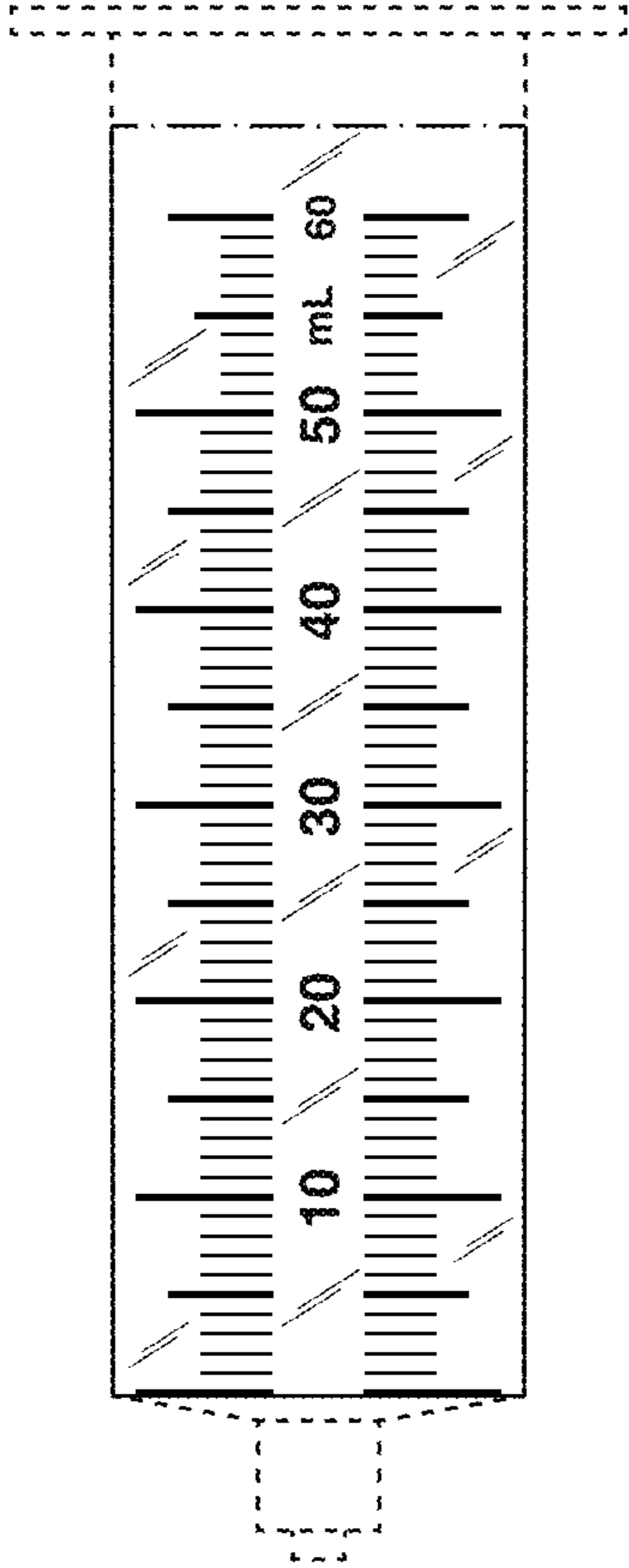


FIG. 7

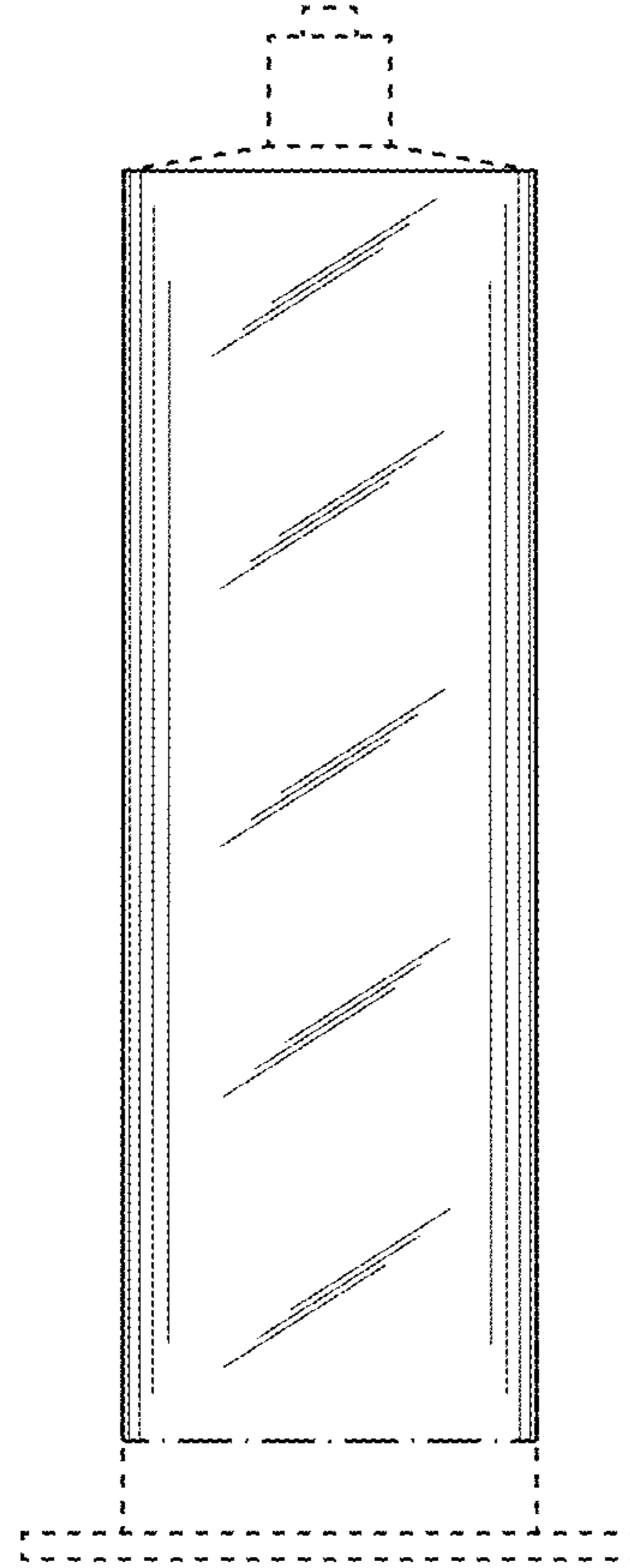


FIG. 8

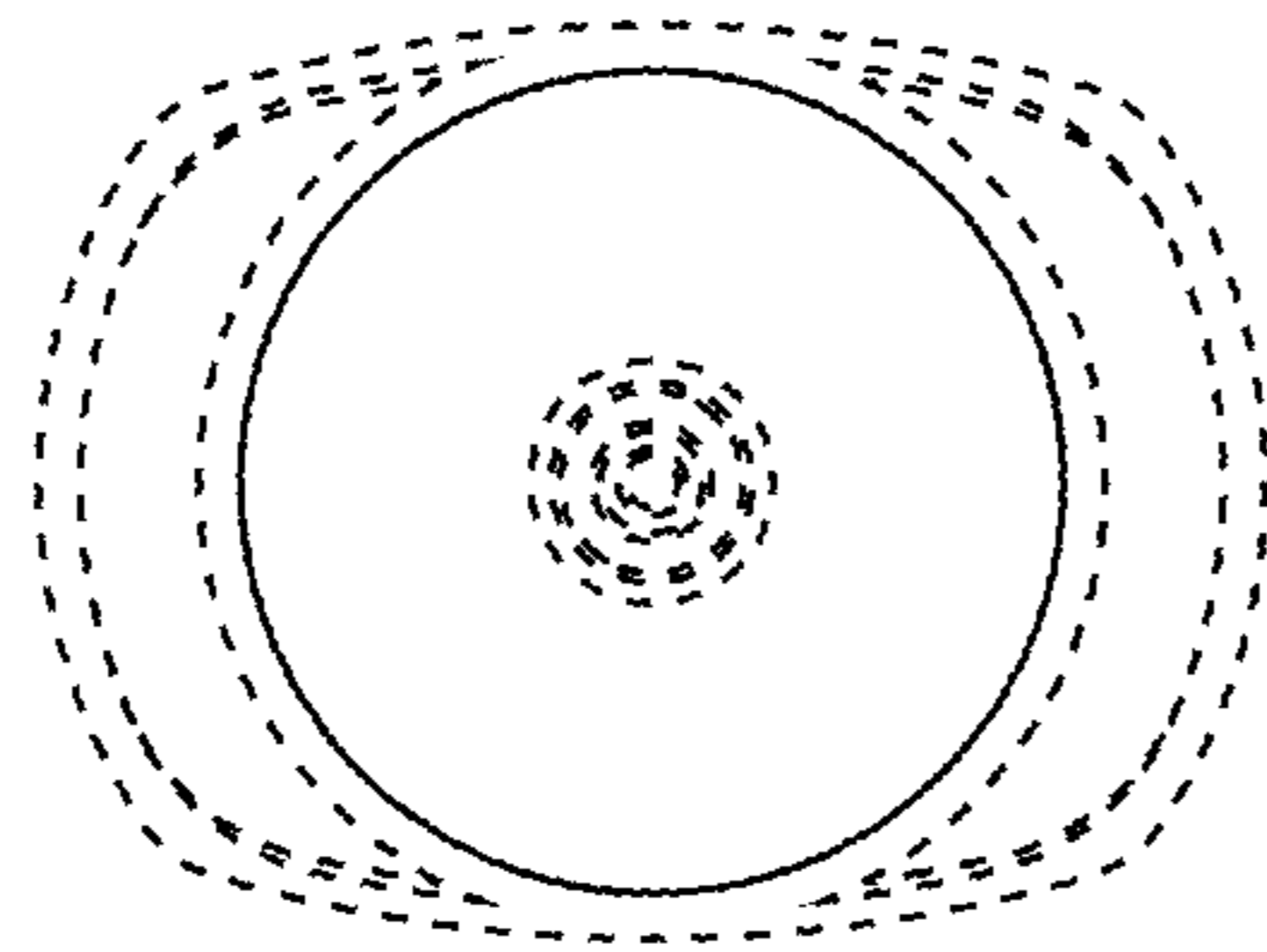


FIG. 9

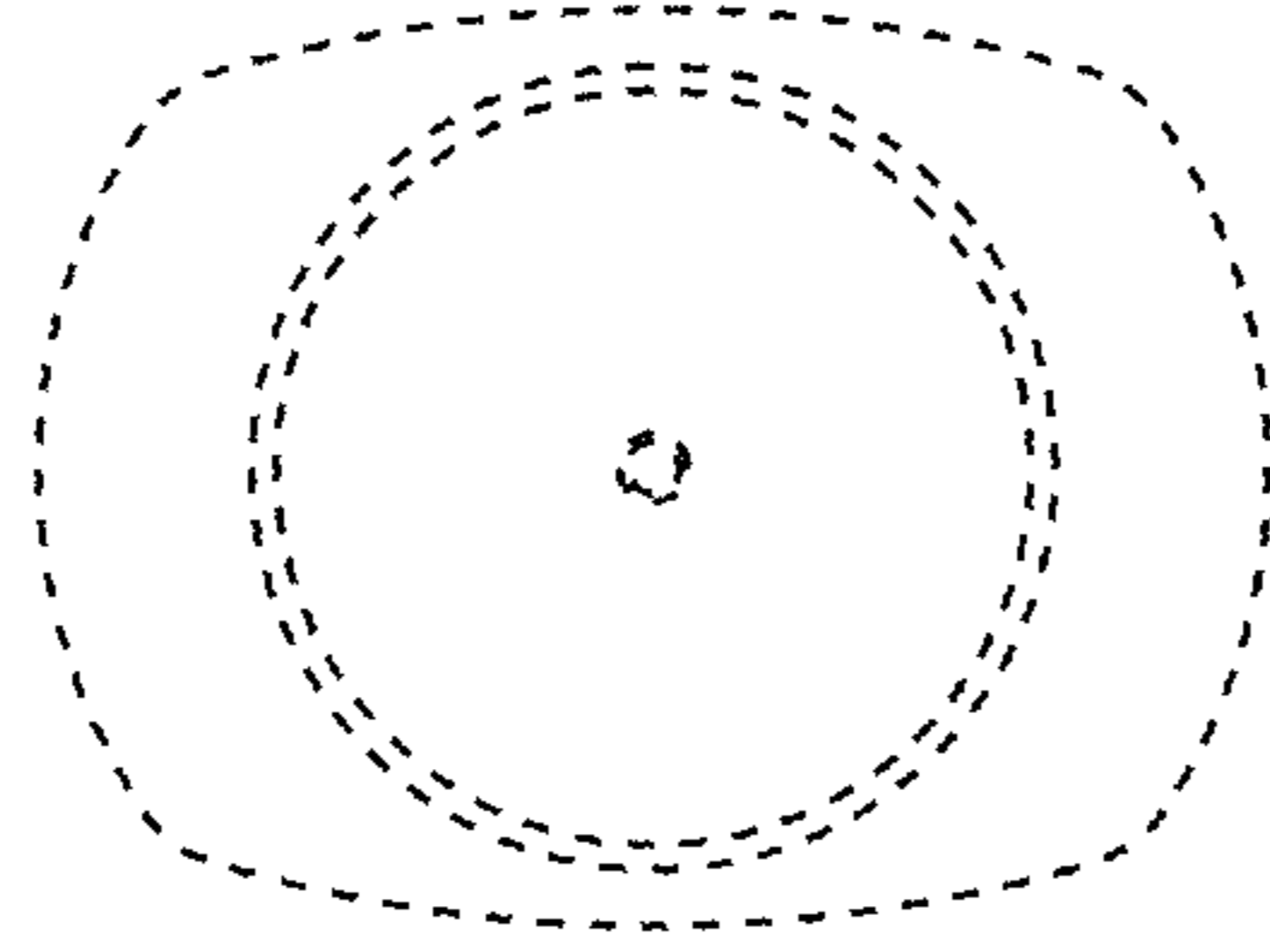


FIG. 10

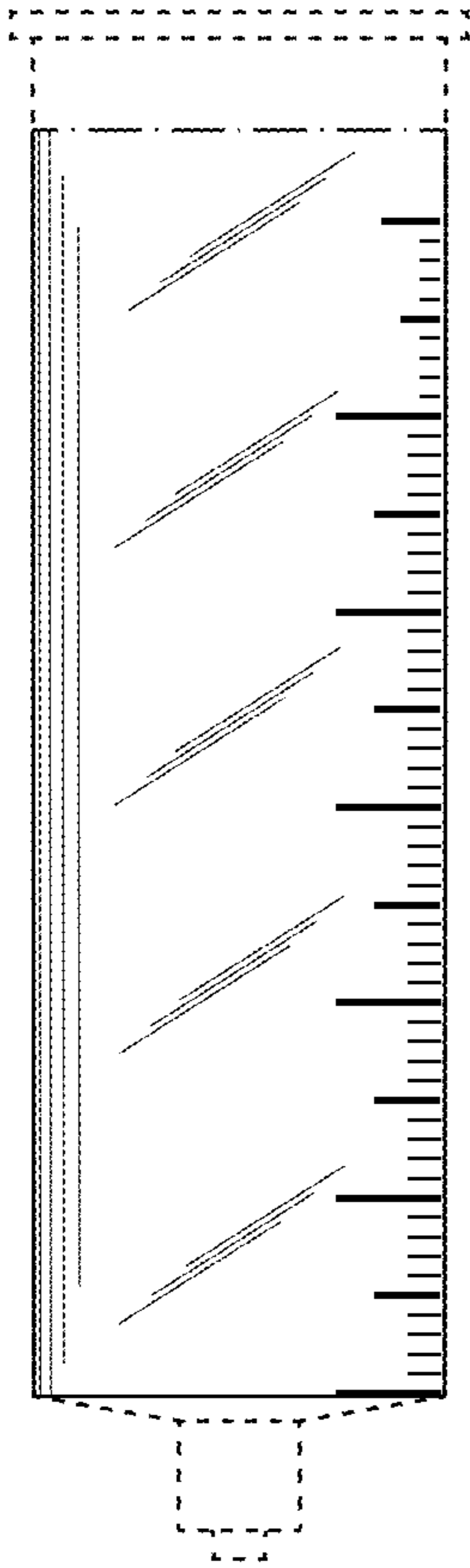


FIG. 11

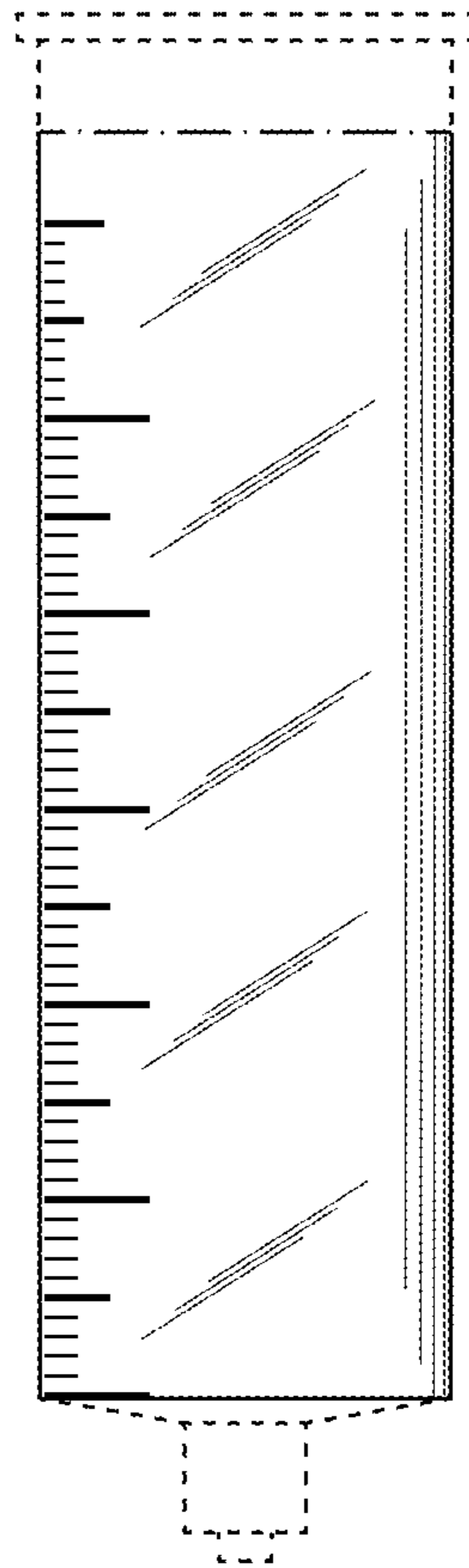


FIG. 12