



US00D780912S

(12) **United States Design Patent** (10) **Patent No.:** **US D780,912 S**  
**Babbs et al.** (45) **Date of Patent:** **\*\* Mar. 7, 2017**

(54) **BUMPER**

(56) **References Cited**

(71) Applicant: **AbbVie Inc.**, North Chicago, IL (US)

U.S. PATENT DOCUMENTS

(72) Inventors: **Kellan William Babbs**, Grayslake, IL (US); **Nolan Harrington Baird, III**, Johnsburg, IL (US); **Wayne Philip Klingler**, Lindenhurst, IL (US); **Thomas Joseph Huemann**, Round Lake, IL (US); **Thomas Paul Grazier**, Spring Grove, IL (US); **Charles Michael Galitz**, Kenosha, WI (US); **Michael Honsing Lau**, Chicago, IL (US); **Antonio Juan Belton**, Richton Park, IL (US); **Daniel Joseph Greene**, Chicago, IL (US)

D328,617 S \* 8/1992 Emmel ..... D10/116.1  
D378,054 S \* 2/1997 Engberg ..... D8/402  
D419,862 S \* 2/2000 Berger ..... D25/157  
D496,098 S \* 9/2004 Guney ..... D24/110.1  
D713,705 S \* 9/2014 Mina ..... D8/397  
D716,444 S \* 10/2014 Khalaj ..... D24/128

FOREIGN PATENT DOCUMENTS

TW D149854 10/2012

OTHER PUBLICATIONS

Search Report dated Dec. 29, 2015 in Taiwan Design Patent Application No. 104300121 (with English Translation).

(73) Assignee: **ABBVIE INC.**, North Chicago, IL (US)

\* cited by examiner

(\*\*) Term: **14 Years**

*Primary Examiner* — David Muller

(74) *Attorney, Agent, or Firm* — Baker Botts L.L.P.

(21) Appl. No.: **29/496,265**

(57) **CLAIM**

The ornamental design for a bumper, as shown and described.

(22) Filed: **Jul. 10, 2014**

(51) **LOC (10) Cl.** ..... **24-02**

**DESCRIPTION**

(52) **U.S. Cl.**

USPC ..... **D24/128**

(58) **Field of Classification Search**

USPC ..... D24/127-131, 112-114, 133, 186;  
606/181, 185; 604/264, 523-528, 272,  
604/187, 158, 164.01-164.11, 181, 184,  
604/227; 600/101, 139, 143; 128/200.24,  
128/207.14, 207.15

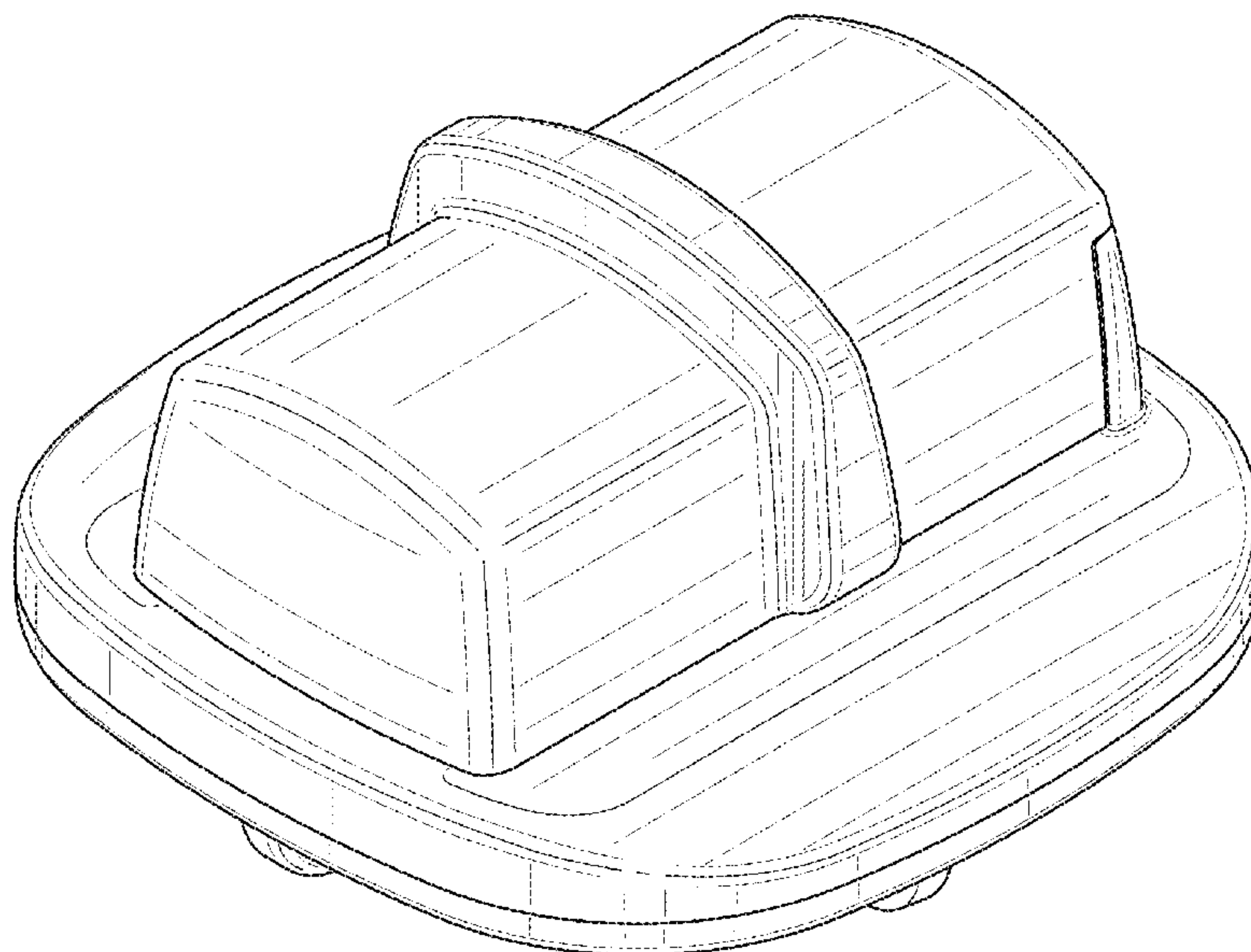
FIG. 1 is a perspective view of our design for a bumper;  
FIG. 2 is a rear view thereof;  
FIG. 3 is a front view thereof;  
FIG. 4 is a left side view thereof;  
FIG. 5 is a right side view thereof;  
FIG. 6 is a top view thereof; and,  
FIG. 7 is a bottom view thereof.

CPC ..... A61M 25/00; A61M 39/00; A61M 27/00;  
A61M 25/0043; A61M 25/0067; A61M  
25/0097; A61F 2/958

The broken line showing of parts of the drawings is included for the purpose of illustrating use and environment and forms no part of the claimed design.

See application file for complete search history.

**1 Claim, 5 Drawing Sheets**



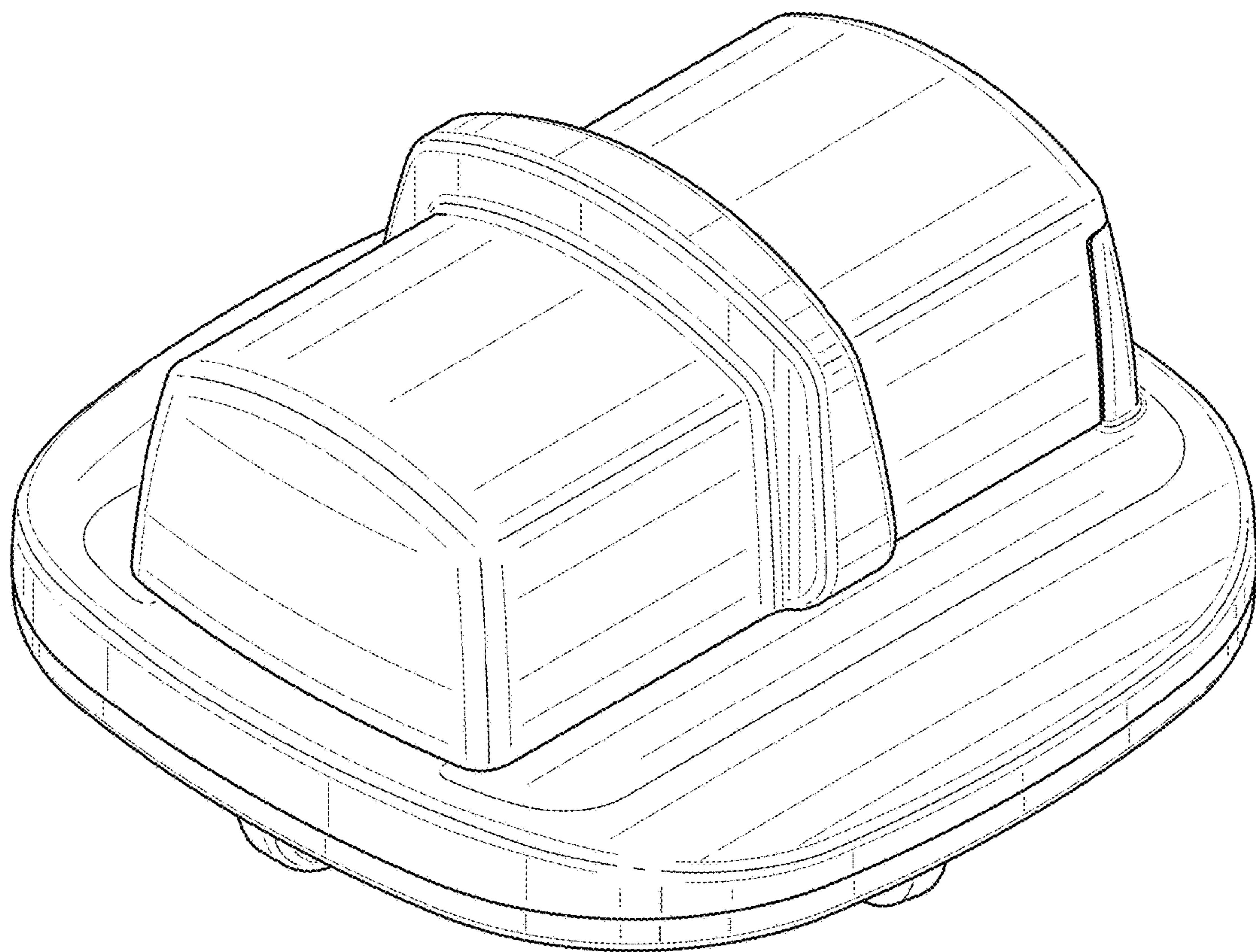


FIG. 1

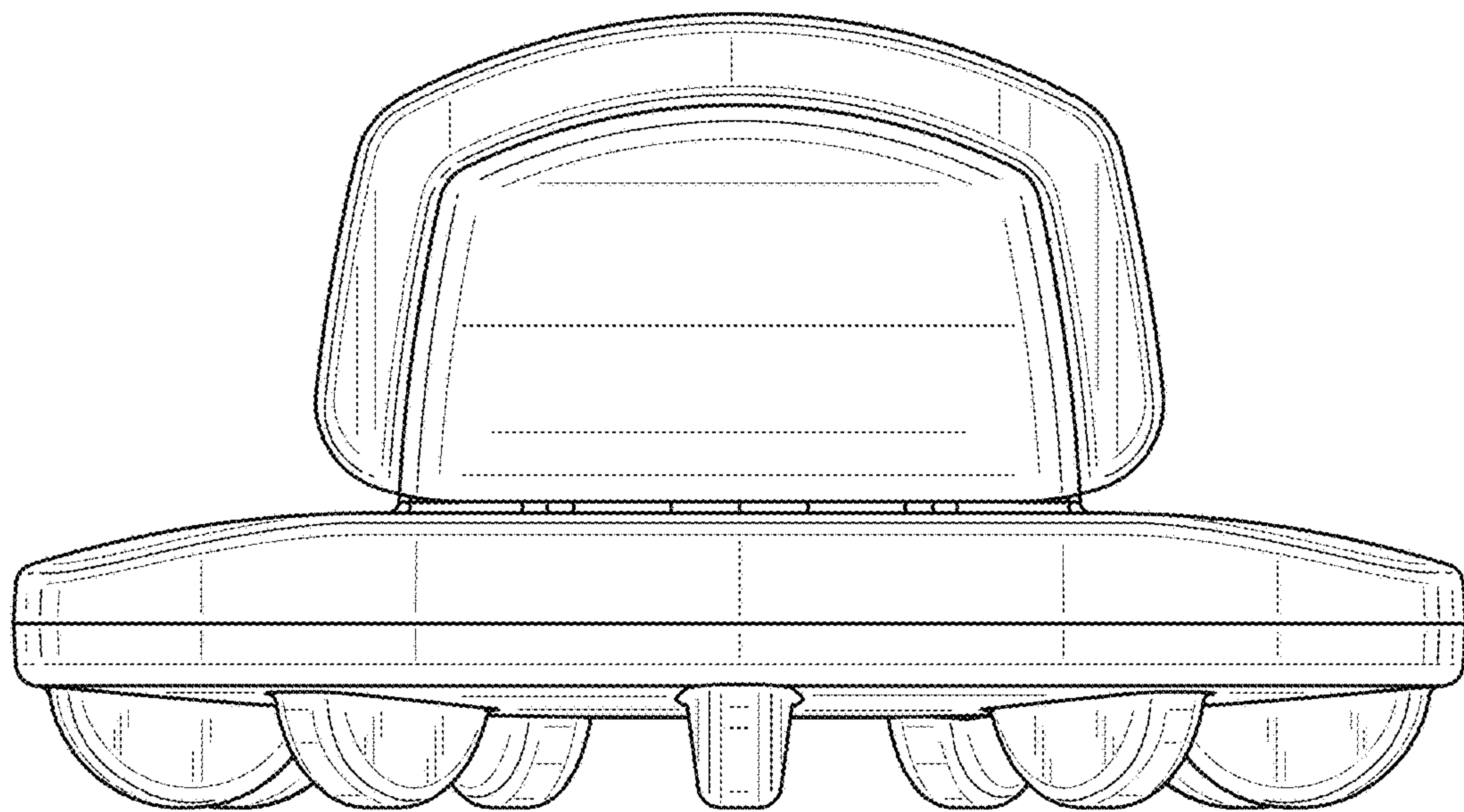


FIG. 2

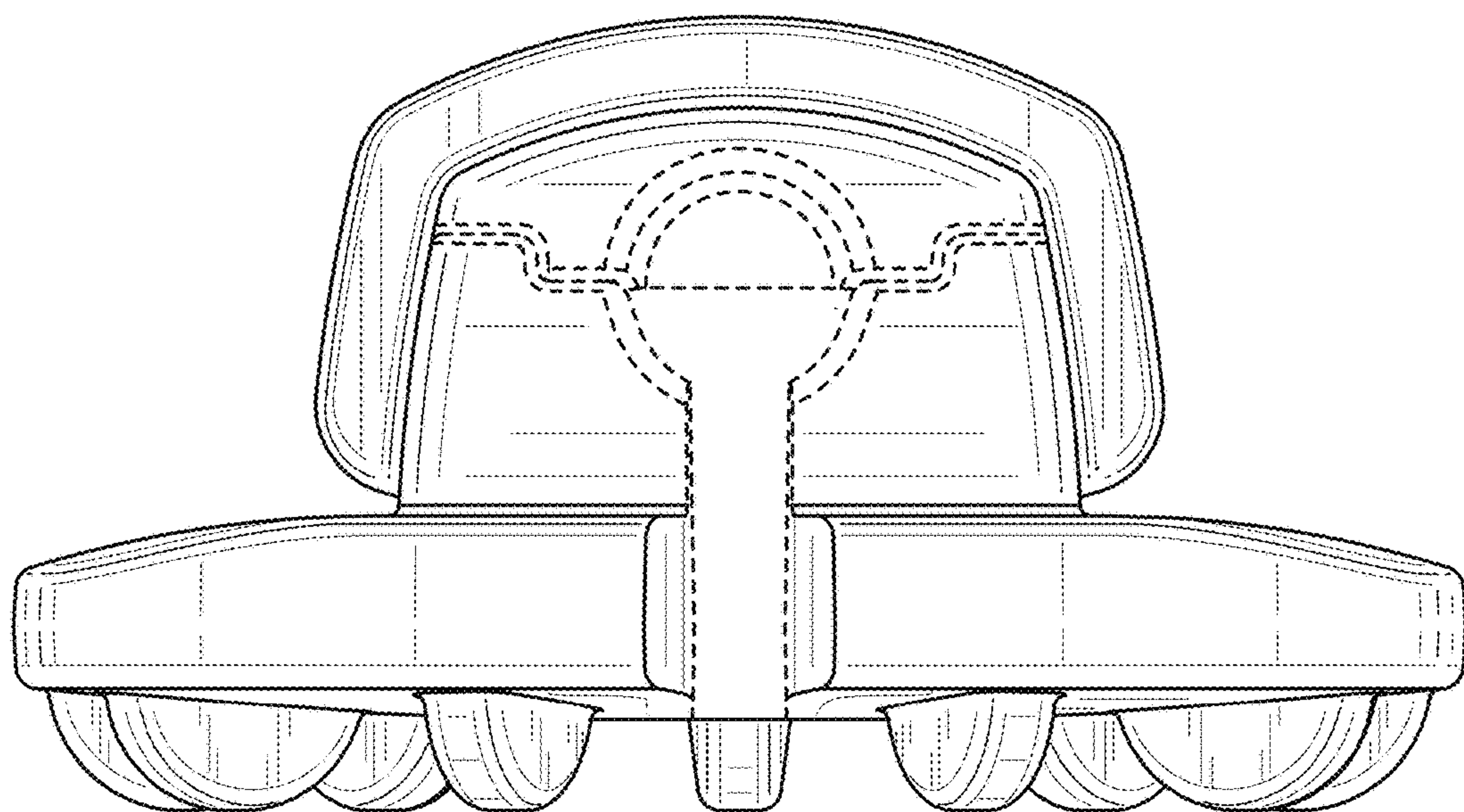


FIG. 3



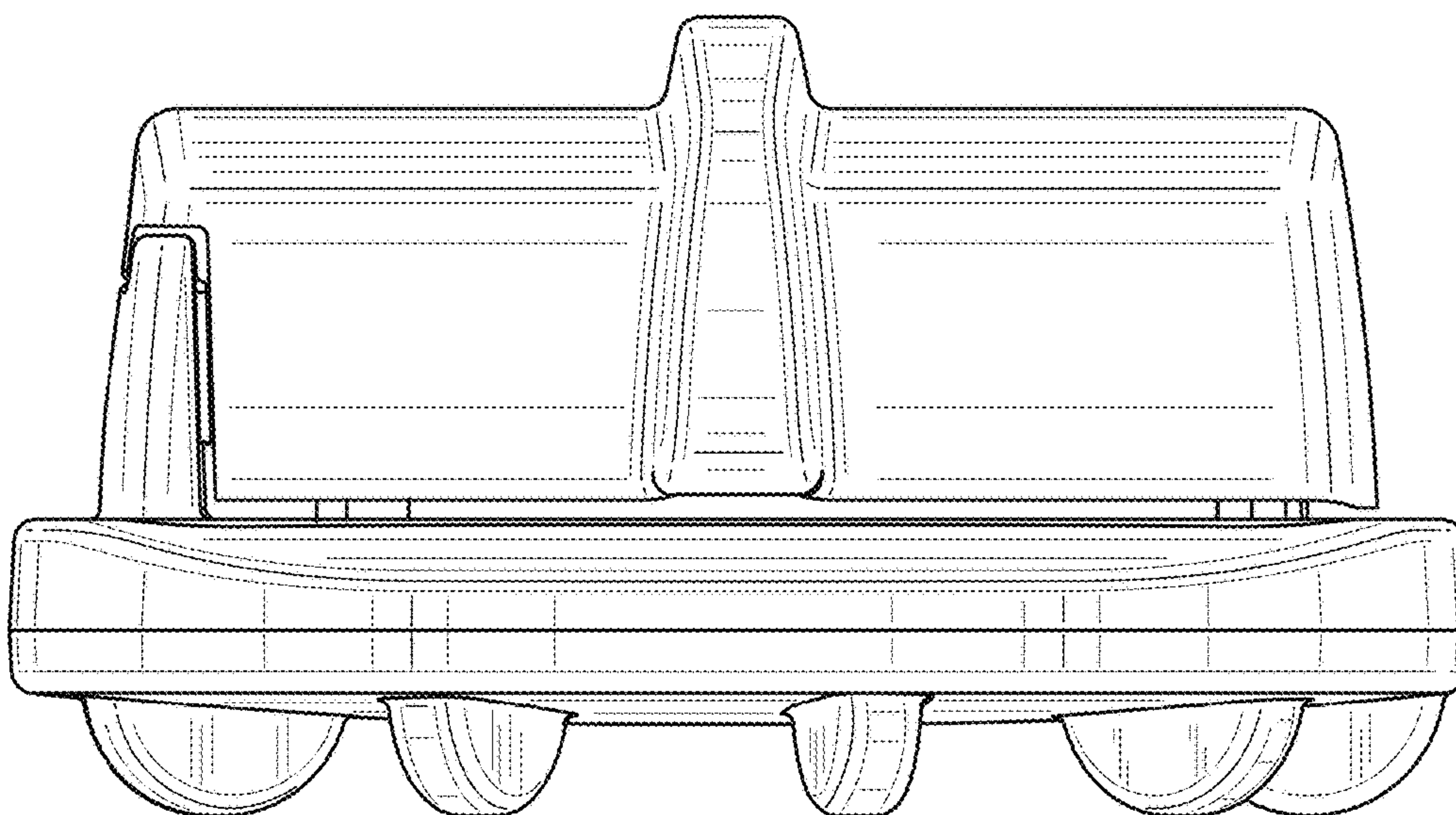


FIG. 4

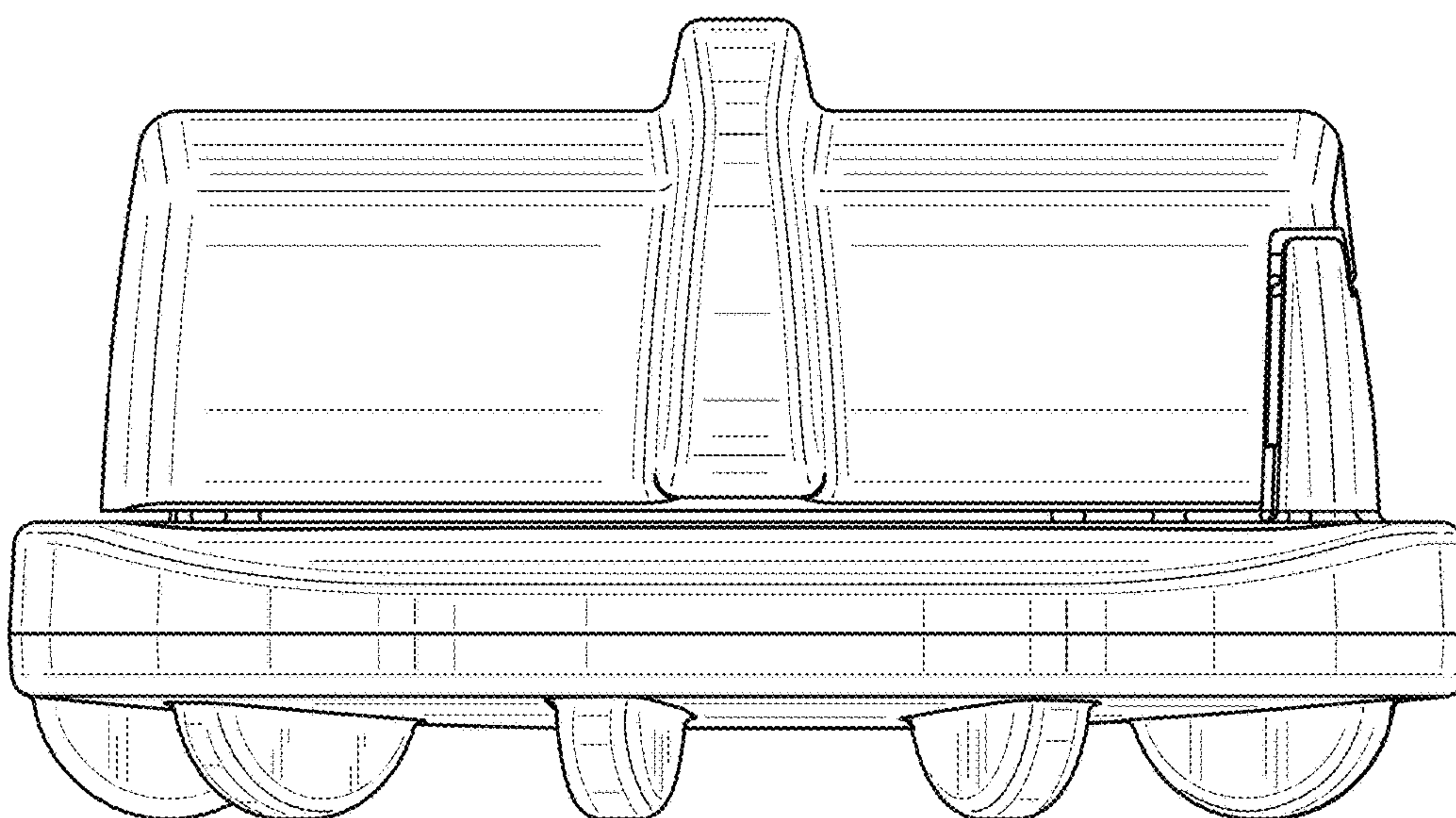


FIG. 5

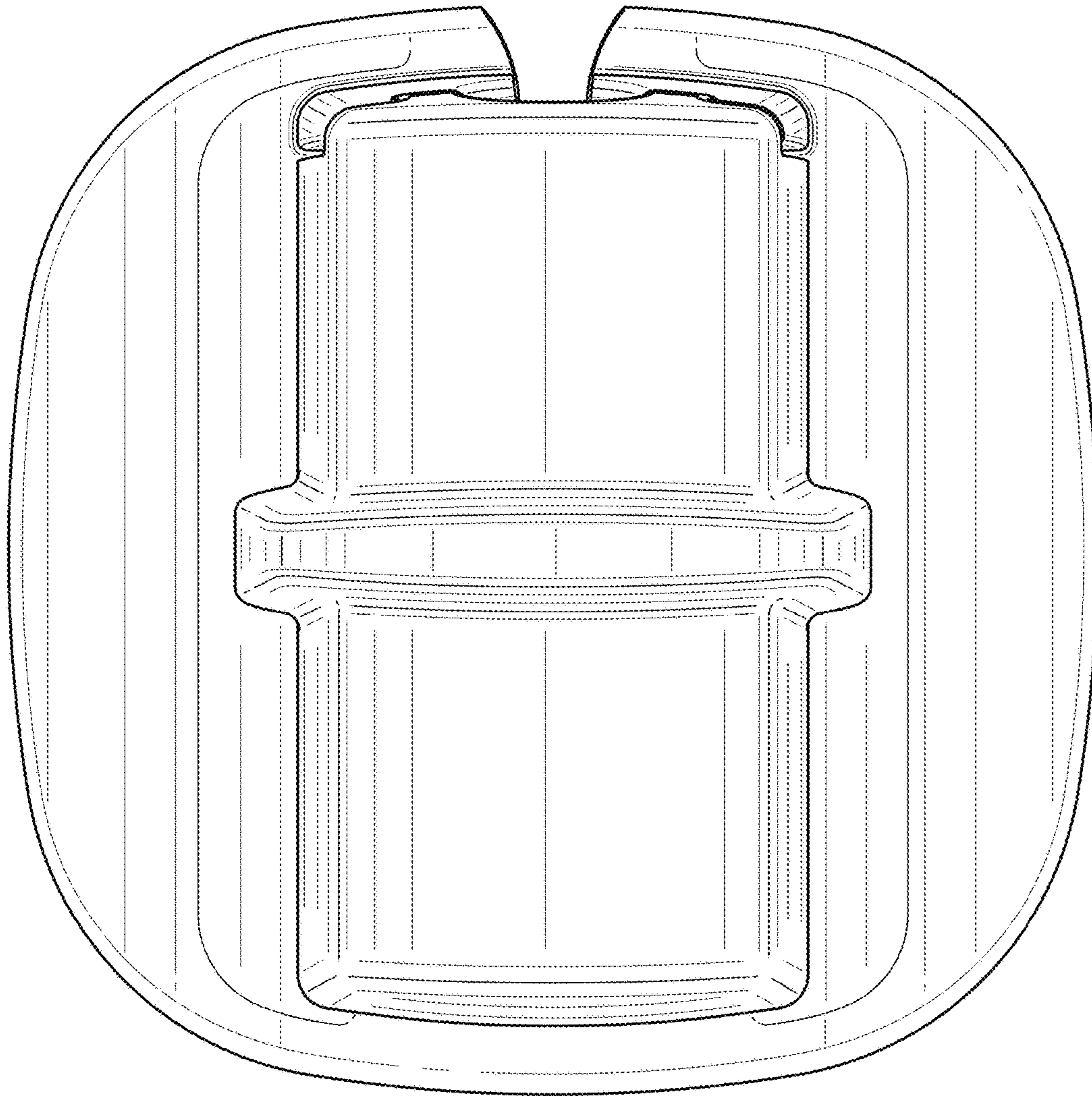


FIG. 6

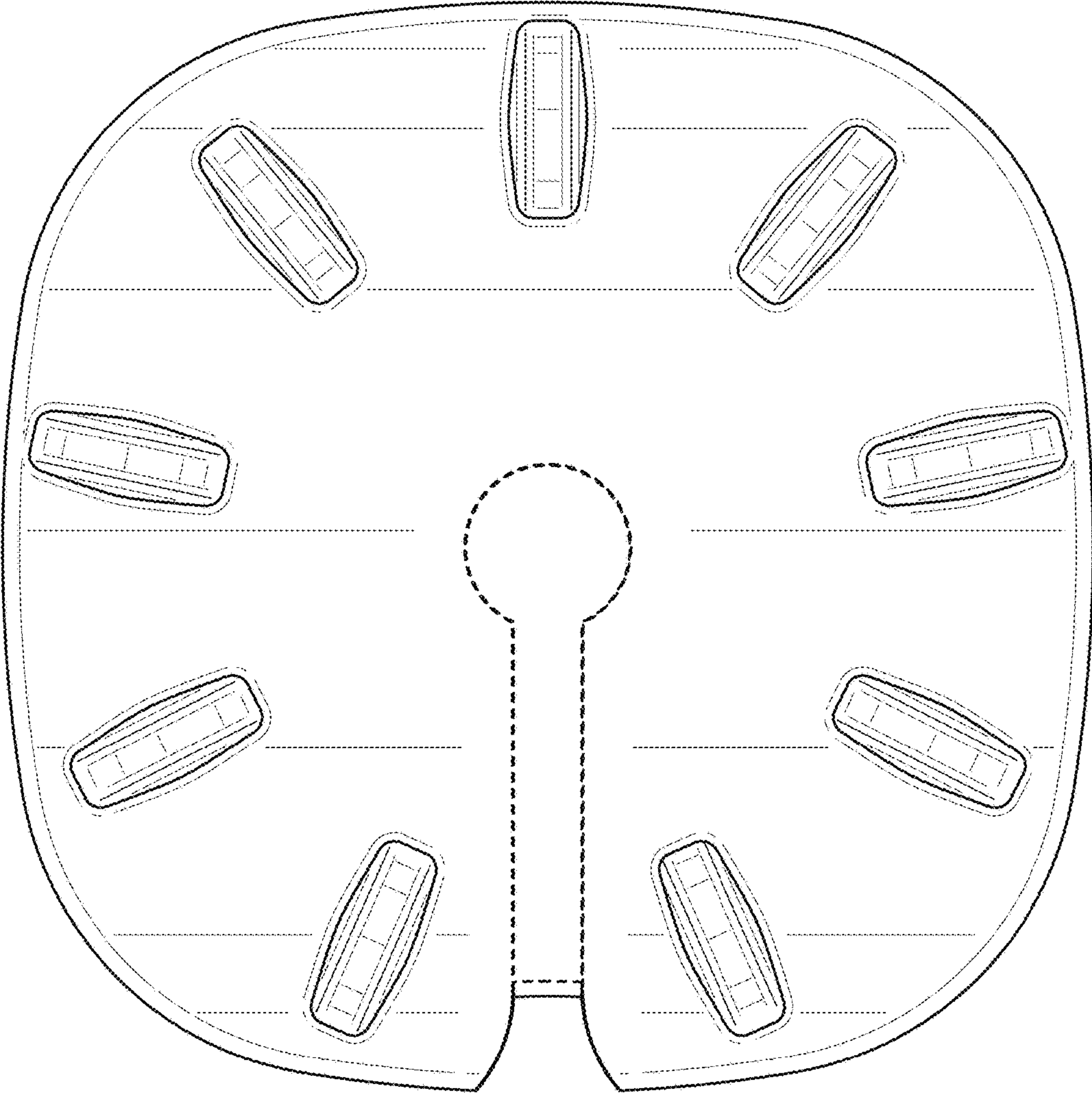


FIG. 7