



US00D780910S

(12) **United States Design Patent**
Fites et al.

(10) **Patent No.:** **US D780,910 S**
(45) **Date of Patent:** **** Mar. 7, 2017**

(54) **ABSORBENT ARTICLE SUBSTRATE WITH A PATTERN**

(71) Applicant: **The Procter & Gamble Company**,
Cincinnati, OH (US)
(72) Inventors: **Theodore Cory Fites**, Cincinnati, OH
(US); **Sarah Ann Sanborn**, Cincinnati,
OH (US); **Rachael Eden Walther**,
Union, KY (US); **John Andrew**
Strasemeier, Aurora, IN (US); **Ann**
Cecilia Tapp, West Chester, OH (US);
Jennifer Lynn DuSold, Cincinnati, OH
(US)

(73) Assignee: **The Procter and Gamble Company**,
Cincinnati, OH (US)

(**) Term: **15 Years**

(21) Appl. No.: **29/575,439**

(22) Filed: **Aug. 25, 2016**

Related U.S. Application Data

(62) Division of application No. 29/490,577, filed on May
12, 2014.

(51) **LOC (10) Cl.** **24-04**

(52) **U.S. Cl.**
USPC **D24/126**

(58) **Field of Classification Search**
USPC D24/124–126; D5/1, 2, 3, 7, 25, 34, 35,
D5/39, 55, 63
CPC A61F 13/476; A61F 13/4704; A61F
13/47245; A61F 13/4702; A61F 13/533;
A61F 13/47263; A61F 13/15203; B32B

(Continued)

(56) **References Cited**

U.S. PATENT DOCUMENTS

D253,674 S 12/1979 Whitehead
D255,152 S 5/1980 Woon

(Continued)

OTHER PUBLICATIONS

U.S. Appl. No. 29/490,577, filed May 12, 2014, Theodore Cory
Fites et al.

Primary Examiner — T. Chase Nelson
Assistant Examiner — Michelle E Wilson

(74) *Attorney, Agent, or Firm* — Andrew A. Paul

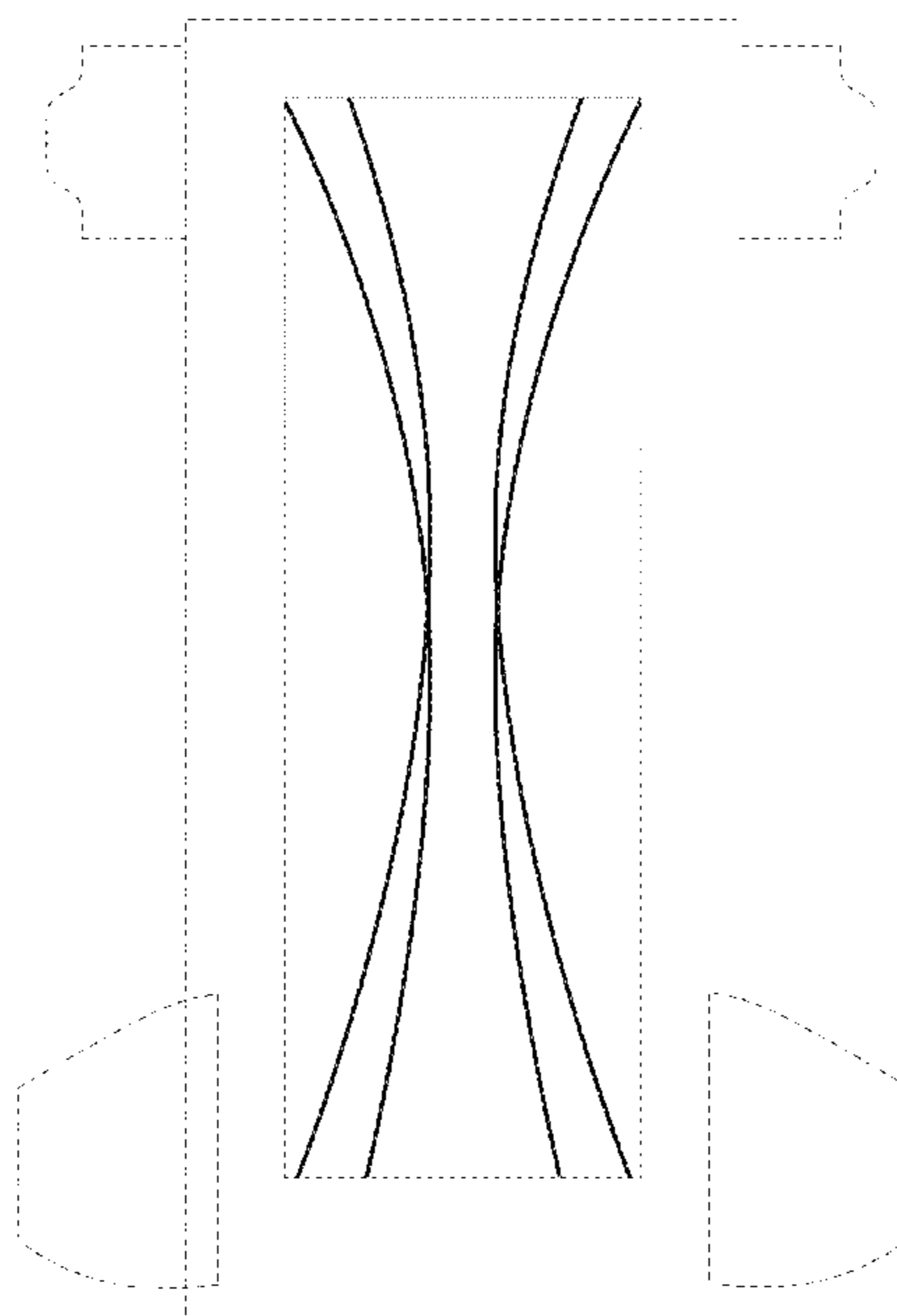
(57) **CLAIM**

The ornamental design for an absorbent article substrate
with a pattern, as shown and described.

DESCRIPTION

FIG. 1 is a front view of an embodiment of an absorbent
article substrate with a pattern;
FIG. 2 is a rear view of the embodiments of an absorbent
article substrate with a pattern shown in FIG. 1;
FIG. 3 is a top end view of the embodiments of an absorbent
article substrate with a pattern shown in FIG. 1;
FIG. 4 is a left side view of the embodiments of an absorbent
article substrate with a pattern shown in FIG. 1;
FIG. 5 is a right side view of the embodiments of an
absorbent article substrate with a pattern shown in FIG. 1;
and,
FIG. 6 is a bottom end view of the embodiments of an
absorbent article substrate with a pattern shown in FIG. 1.
The broken lines, including those showing the diaper tabs
and ears, are included for the purpose of illustrating envi-
ronment and form no part of the claimed design.

1 Claim, 3 Drawing Sheets



(58) **Field of Classification Search**
 CPC .. 3/266; B41M 3/12; B41M 3/18; B44F 1/00;
 B44F 3/00; B44F 5/00; B44F 9/10; B44F
 11/04; B44F 11/06; D03D 1/0047; D03D
 25/003; D04H 1/00; D10B 2503/04;
 D21H 27/02

See application file for complete search history.

(56) **References Cited**

U.S. PATENT DOCUMENTS

D466,608 S * 12/2002 Magee D24/126
 D564,236 S 3/2008 Ko et al.
 D566,266 S * 4/2008 Johnson D24/126
 D567,371 S * 4/2008 Diego D24/126
 D580,050 S * 11/2008 Rinaldi D24/126
 D584,404 S * 1/2009 Johnson D24/126
 D590,498 S * 4/2009 Fiala D24/126
 D597,665 S * 8/2009 Rinaldi D24/126

D599,013 S * 8/2009 Johnson D24/126
 D601,352 S * 10/2009 Skinner D24/126
 D624,179 S * 9/2010 Baquer Molas D24/126
 D638,224 S 5/2011 Ko et al.
 D645,144 S * 9/2011 Mason D24/126
 D676,132 S * 2/2013 Cutshaw D24/126
 D681,809 S * 5/2013 Cutshaw D24/126
 D686,318 S * 7/2013 Mason D24/126
 D686,320 S * 7/2013 Hawes D24/126
 D691,715 S * 10/2013 Mason D24/126
 D693,922 S * 11/2013 Frias D24/126
 D695,895 S * 12/2013 Mason D24/126
 D699,345 S * 2/2014 Johnson D24/126
 D699,346 S * 2/2014 McElroy D24/126
 D721,804 S * 1/2015 Cutshaw D24/126
 D722,159 S * 2/2015 Cutshaw D24/126
 D744,642 S * 12/2015 Bergstedt D24/126
 2005/0217791 A1 * 10/2005 Costello A61F 13/15585
 156/277

* cited by examiner

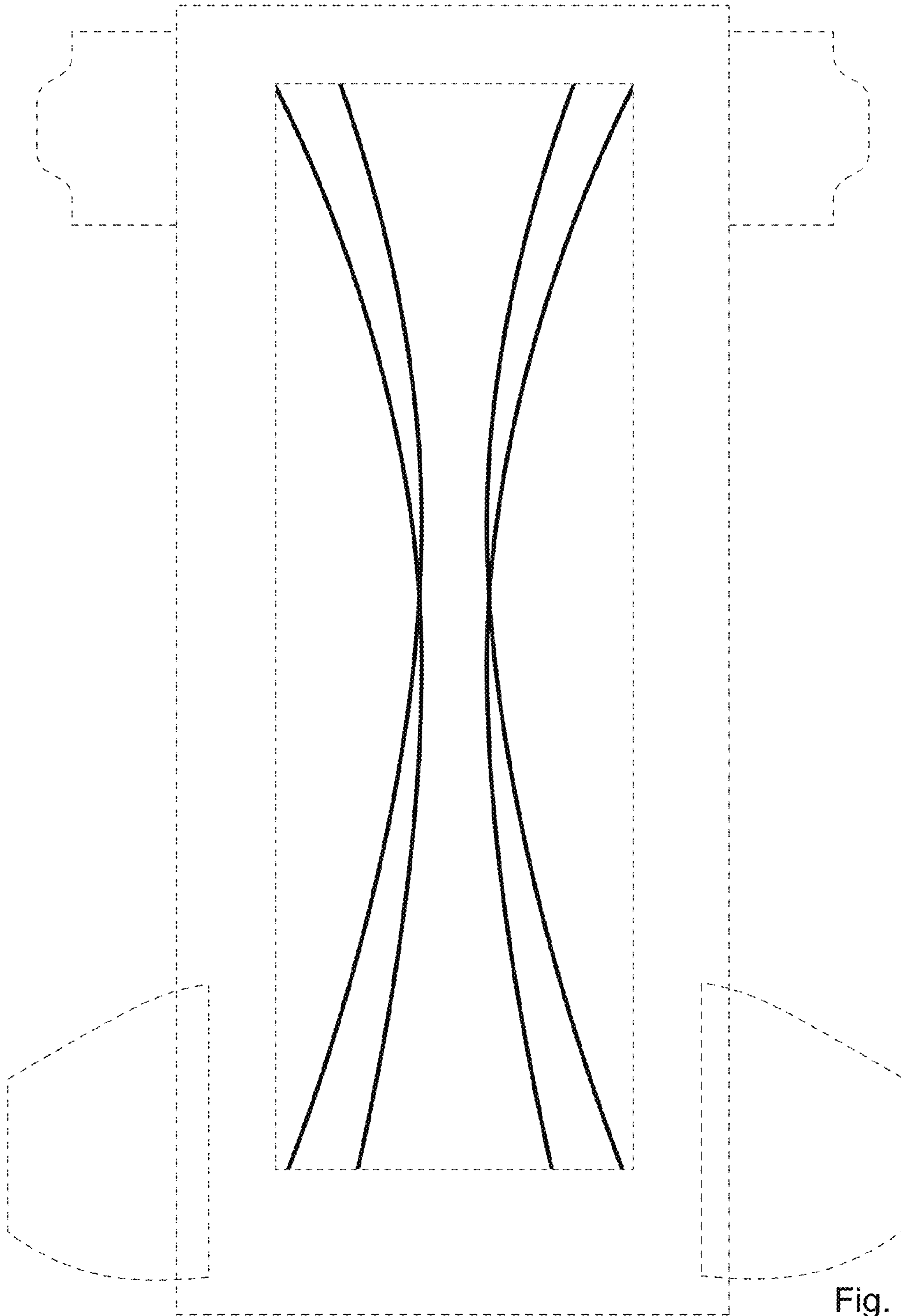


Fig. 1

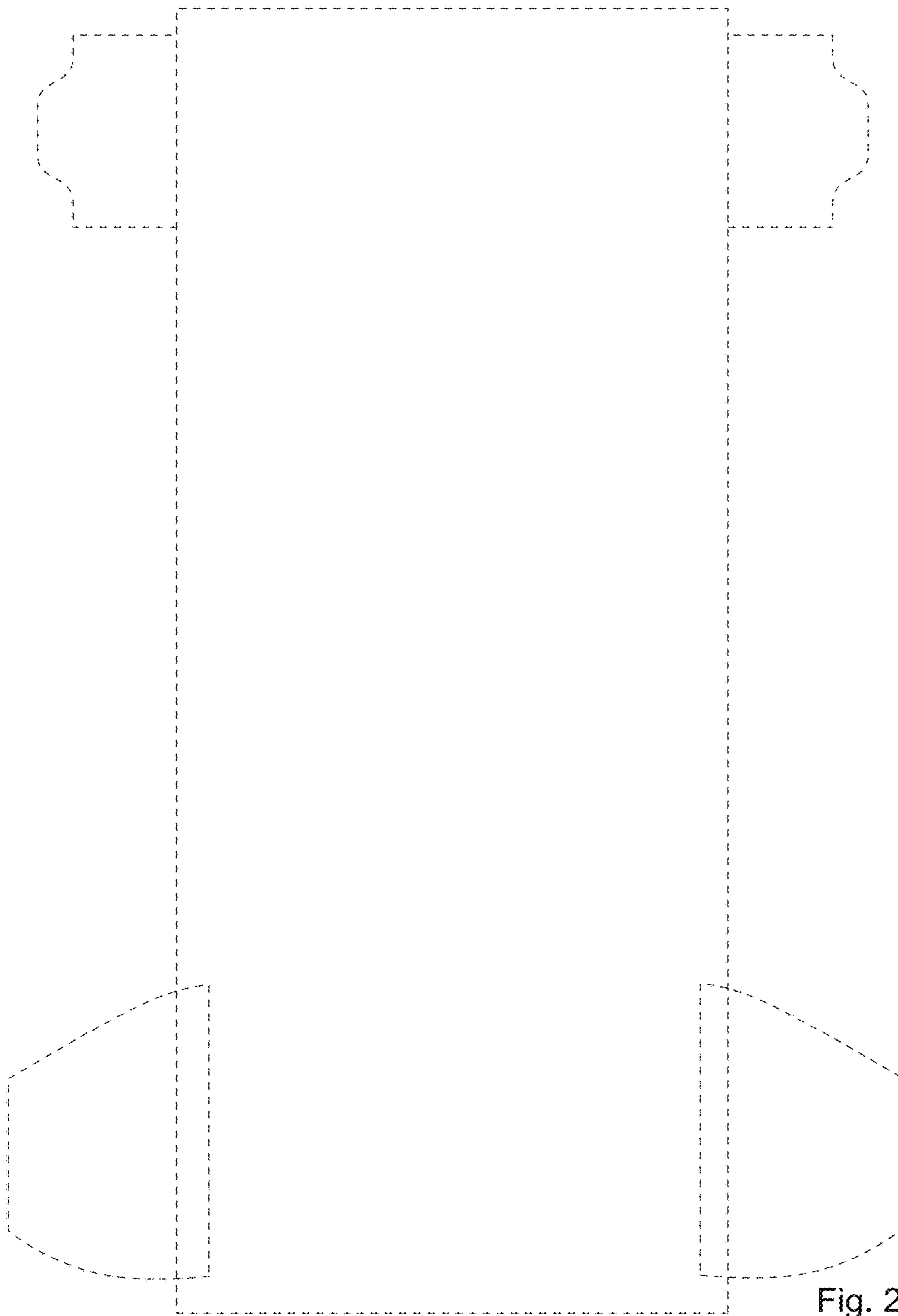


Fig. 2

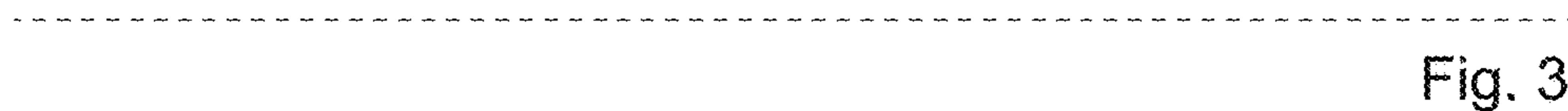


Fig. 3

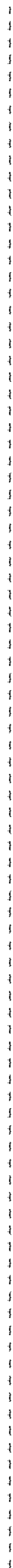


Fig. 4



Fig. 5



Fig. 6