



US00D780909S

(12) **United States Design Patent**  
**Burkett et al.**

(10) **Patent No.:** **US D780,909 S**  
(45) **Date of Patent:** **\*\* Mar. 7, 2017**

(54) **AUTOINJECTOR PEN**

FOREIGN PATENT DOCUMENTS

(71) Applicant: **Merck Sharp & Dohme Corp.**,  
Rahway, NJ (US)

CA 105065 6/2005  
EP 681812 3/2007

(Continued)

(72) Inventors: **Greg Burkett**, San Francisco, CA (US);  
**Shu Kuen Chang**, Evanston, IL (US);  
**Angie Kim**, San Francisco, CA (US);  
**Jin Ko**, Evanston, IL (US); **Scott Mackie**,  
New Haven, CT (US); **Philip G. Green**,  
Weehawken, NJ (US); **Sharad Gupta**,  
Madison, NJ (US); **Angela M. Amend Kwasnik**,  
Metuchen, NJ (US); **Christin L. O'Neill**,  
Philadelphia, PA (US); **Robert Stianchi**,  
Hillsborough, NJ (US); **Witold Swiatek**,  
Bethlehem, PA (US)

OTHER PUBLICATIONS

www.westpharma.com/en/products/Pages/SelfDose.aspx, Nov. 4,  
2013.

(Continued)

*Primary Examiner* — David Muller

(57) **CLAIM**

The ornamental design for an autoinjector pen, as shown and  
described.

**DESCRIPTION**

(73) Assignee: **Merck Sharp & Dohme Corp.**,  
Rahway, NJ (US)

(\*\*) Term: **14 Years**

(21) Appl. No.: **29/487,571**

(22) Filed: **Apr. 10, 2014**

(51) **LOC (10) Cl.** ..... **24-02**

(52) **U.S. Cl.**  
USPC ..... **D24/113**

(58) **Field of Classification Search**  
USPC ..... D24/112–114, 108, 133, 130, 127, 186;  
606/181, 185; 604/264, 272, 187, 181,  
604/184, 227

(Continued)

(56) **References Cited**

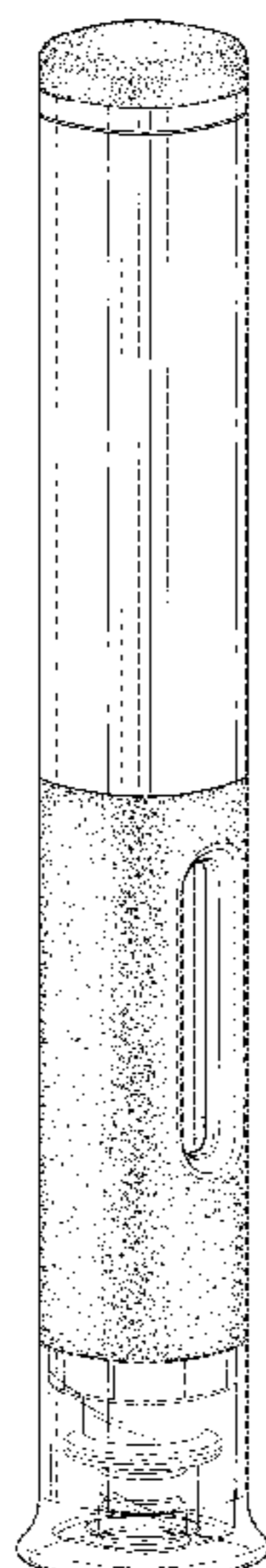
U.S. PATENT DOCUMENTS

1,686,055 A 10/1928 Whiteside  
D147,579 S 9/1947 Campbell

(Continued)

FIG. 1 is a front perspective view of an autoinjector pen in  
accordance with the present invention with the cap attached;  
FIG. 2 is a front elevational view thereof, the rear being a  
mirror image;  
FIG. 3 is a top plan view thereof;  
FIG. 4 is a bottom plan view thereof;  
FIG. 5 is a left side elevational view thereof, the right side  
being a mirror image;  
FIG. 6 is a front perspective view thereof with the cap  
removed;  
FIG. 7 is a front elevational view thereof, the rear being a  
mirror image;  
FIG. 8 is a left side view thereof, the right side being a mirror  
image;  
FIG. 9 is another front elevational view of the autoinjector  
pen without the cap; and,  
FIG. 10 is a bottom plan view thereof.  
The features shown in broken lines depict environmental  
structure only and form no part of the claimed design.  
The stippling in the drawings denotes texture.  
The diagonal lines in the drawings indicate transparency.

**1 Claim, 10 Drawing Sheets**



(58) **Field of Classification Search**  
 CPC ..... A61M 5/178; A61M 3/00; A61M 5/20;  
 A61M 5/31  
 See application file for complete search history.

(56) **References Cited**  
 U.S. PATENT DOCUMENTS

D279,504 S	7/1985	Tump	
D298,653 S	11/1988	Maietta	
D320,084 S	9/1991	Stewart et al.	
D369,384 S	4/1996	Yasoshima	
D479,600 S	9/2003	Bainton	
D479,748 S	9/2003	Tyce	
D490,150 S	5/2004	Hawley et al.	
D491,263 S	6/2004	Hawley et al.	
D492,027 S	6/2004	Tyce et al.	
D492,405 S	6/2004	Bainton	
D501,253 S	1/2005	Bainton	
D506,221 S	6/2005	Huang	
D542,914 S	5/2007	Tanghoj	
D542,978 S	5/2007	Bortolotti	
D567,852 S	4/2008	Qiu et al.	
D568,988 S	5/2008	Galbraith	
D612,486 S	3/2010	Van der Stappen	
7,674,246 B2	3/2010	Gillespie et al.	
D619,244 S	7/2010	Van der Stappen	
D622,374 S	8/2010	Julian et al.	
D627,061 S	11/2010	Van der Stappen	
D629,509 S	12/2010	Julian et al.	
D676,957 S *	2/2013	Schneider .....	D24/113
D687,543 S *	8/2013	Pala .....	D24/113
D688,792 S	8/2013	Guarraia et al.	
D696,397 S *	12/2013	Guarraia .....	D24/113
D696,773 S *	12/2013	Schneider .....	D24/113

D696,774 S	12/2013	Guarraia et al.	
D696,775 S *	12/2013	Guarraia .....	D24/113
D697,205 S *	1/2014	Schneider .....	D24/113
D708,317 S *	7/2014	Schneider .....	D24/113
D714,932 S *	10/2014	Hall .....	D24/112
D715,422 S *	10/2014	Hall .....	D24/112
D726,905 S *	4/2015	Tegg .....	D24/130
D732,161 S *	6/2015	Ohashi .....	D24/113
D739,005 S *	9/2015	Matsumura .....	D24/108
D739,011 S *	9/2015	Morrison, Jr. ....	D24/114
2004/0054327 A1	3/2004	Gillespie	

FOREIGN PATENT DOCUMENTS

GB	2077458	12/1998
GB	2077459	12/1998
JP	1401280 S	11/2010
JP	1401283 S	11/2010
JP	1450221 S	9/2012
JP	1454273 S	10/2012

OTHER PUBLICATIONS

[www.simponi.com/rheumatoid-arthritis/learn-about-simoni/how-to-take/injection-choices](http://www.simponi.com/rheumatoid-arthritis/learn-about-simoni/how-to-take/injection-choices), Nov. 4, 2013.  
[www.forteo.com/Pages/how-to-inject-forteo-to-help-osteoporosis-treatment.aspx](http://www.forteo.com/Pages/how-to-inject-forteo-to-help-osteoporosis-treatment.aspx), Nov. 4, 2013.  
[http://www.rheuma-online.de/uploads/pics/448x220xEnbrel\\_SureClick\\_Autoinjektor\\_kompr.JPG](http://www.rheuma-online.de/uploads/pics/448x220xEnbrel_SureClick_Autoinjektor_kompr.JPG), Nov. 14, 2013.  
<http://www.shl-group.com/products/shl-medical/disposable-autoinjector.html>, Dec. 13, 2013.  
<https://www.facebook.com/video/video.php?v=1863302351214>, Feb. 11, 2014.

\* cited by examiner

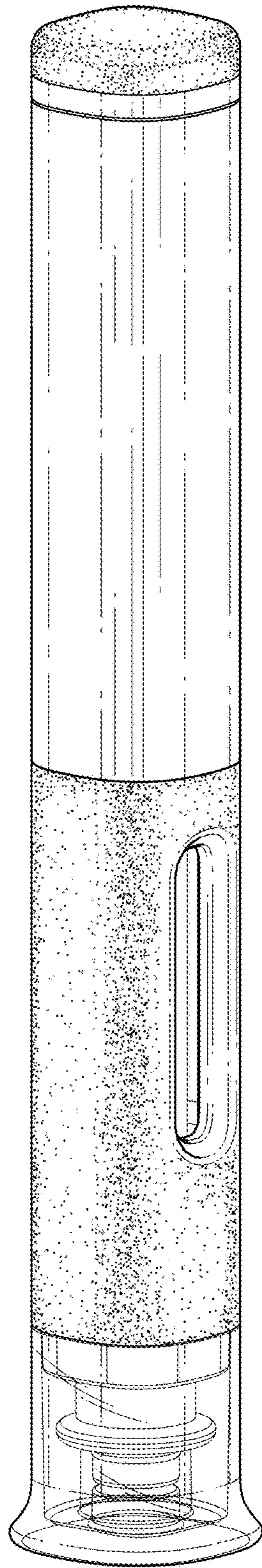


FIG. 1

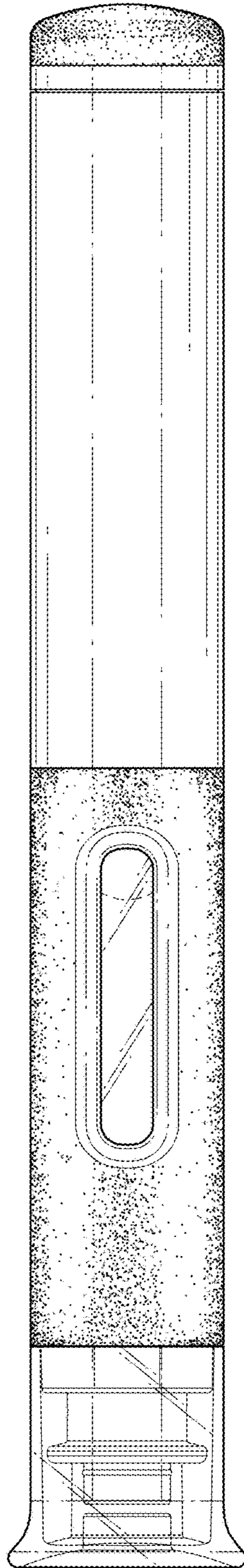


FIG. 2

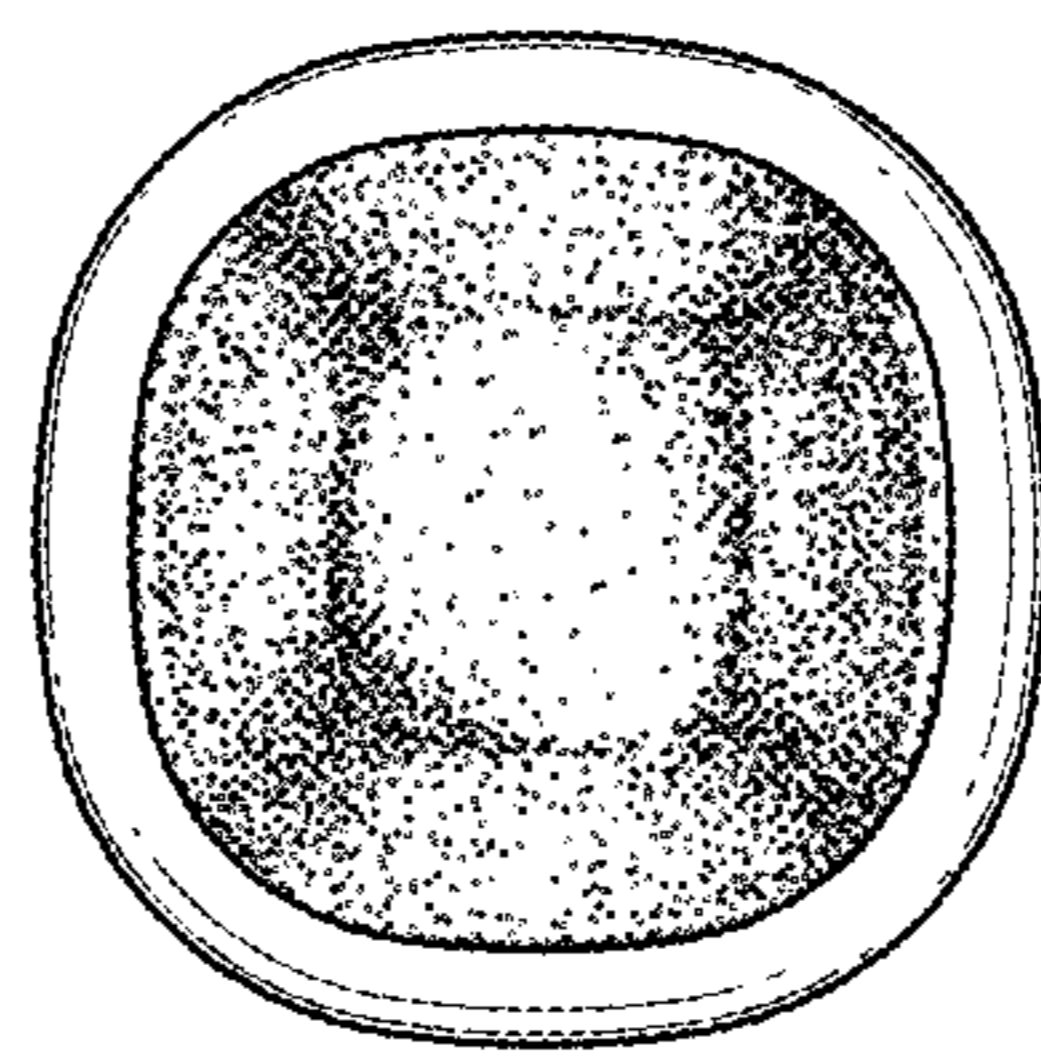


FIG. 3

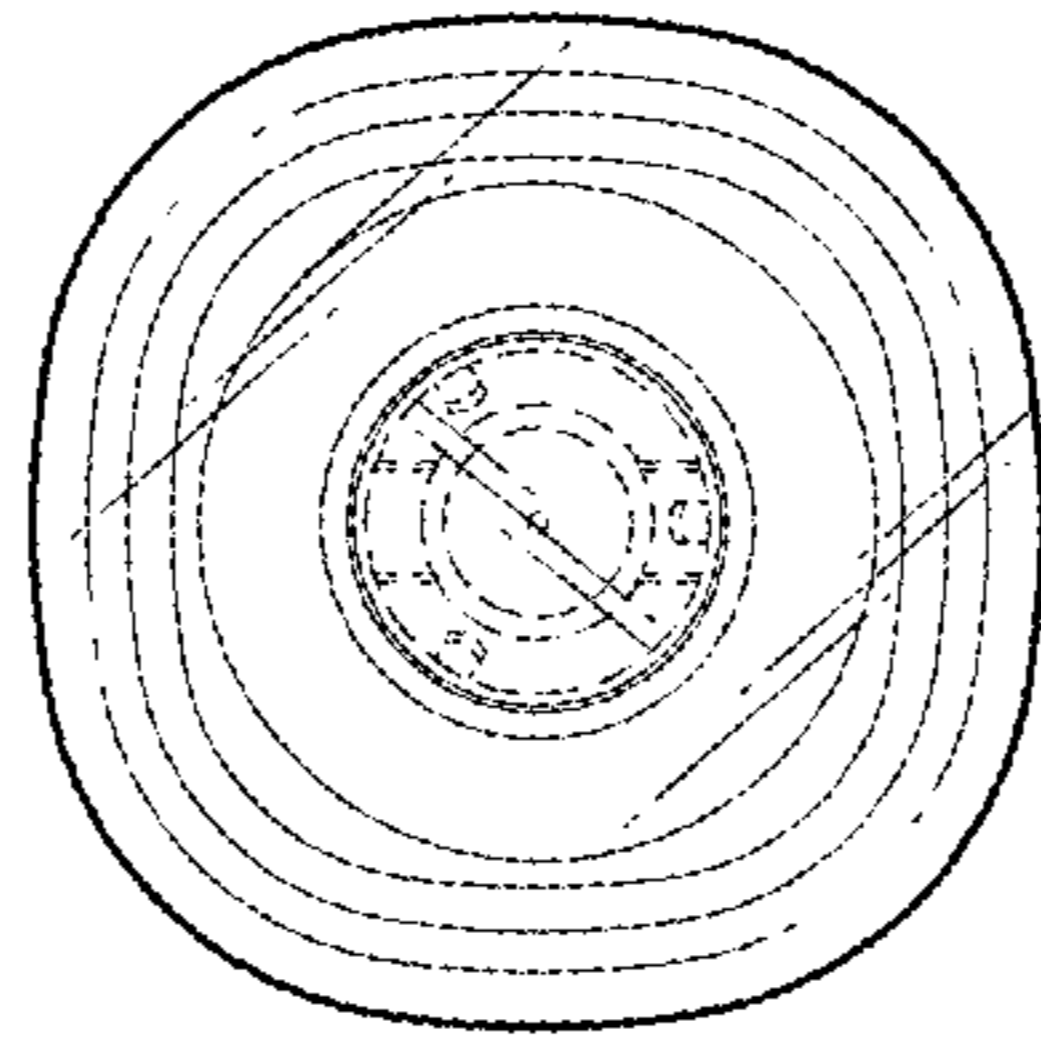


FIG. 4

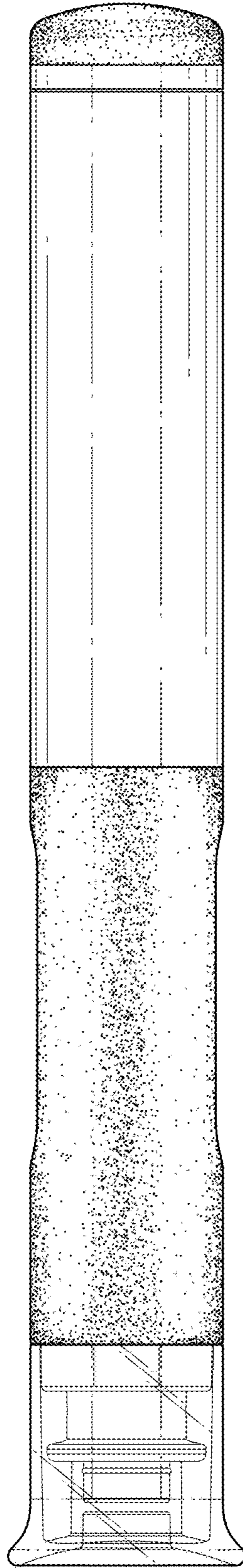


FIG. 5

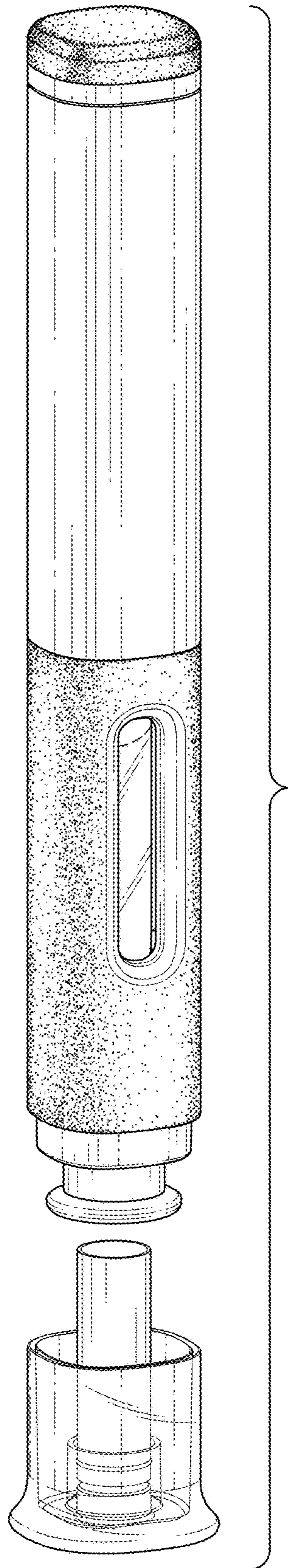


FIG. 6



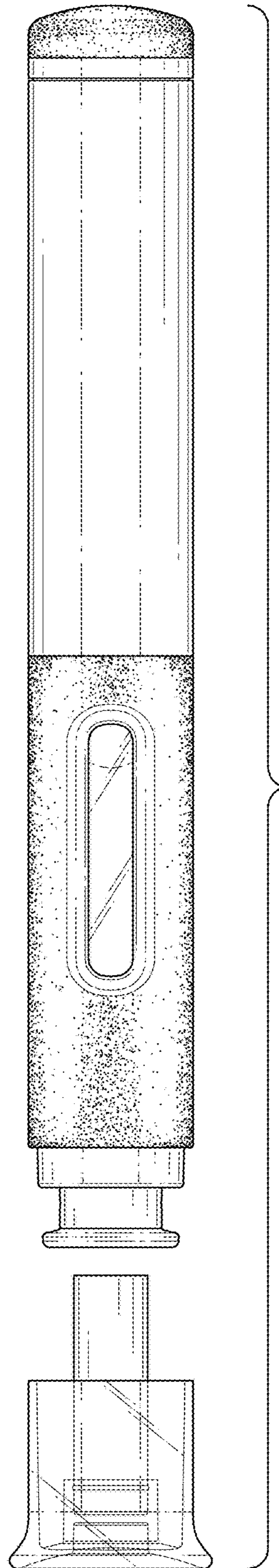


FIG. 7

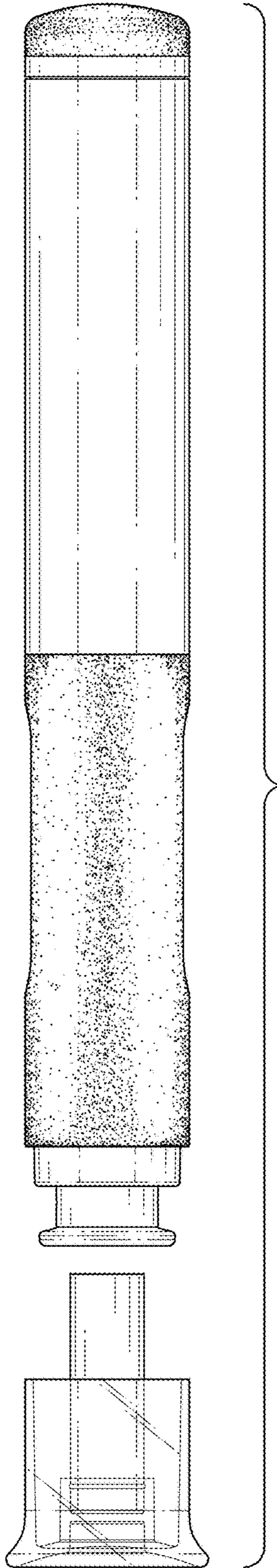


FIG.8

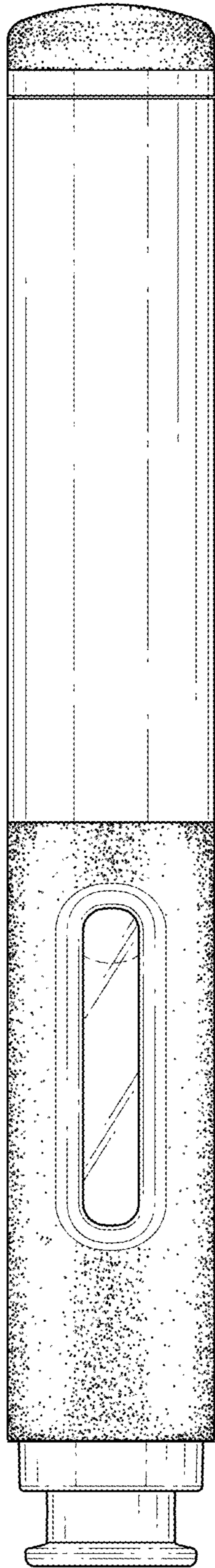


FIG. 9

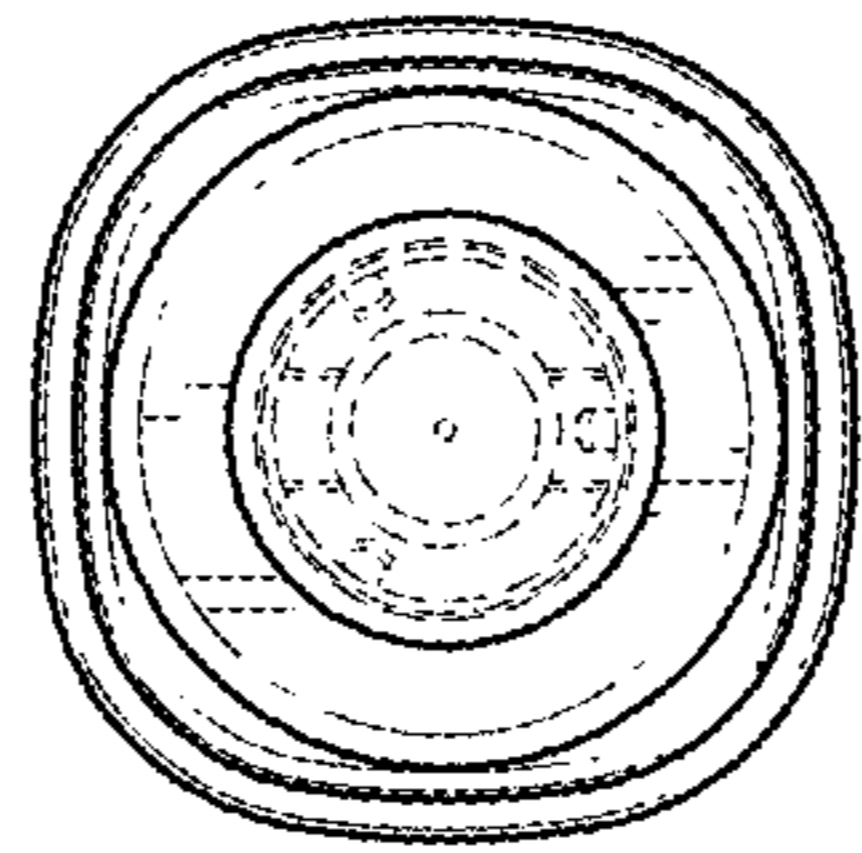


FIG. 10