



US00D780905S

(12) **United States Design Patent**  
**Schulzman**

(10) **Patent No.:** **US D780,905 S**  
(45) **Date of Patent:** **\*\* \*Mar. 7, 2017**

(54) **CEILING FAN HOUSING WITH LIGHT FIXTURE**

(71) Applicant: **Minka Lighting, Inc.**, Corona, CA (US)

(72) Inventor: **Kurt Schulzman**, Long Beach, CA (US)

(73) Assignee: **Minka Lighting, Inc.**, Corona, CA (US)

(\*) Notice: This patent is subject to a terminal disclaimer.

(\*\*) Term: **15 Years**

(21) Appl. No.: **29/571,296**

(22) Filed: **Jul. 15, 2016**

**Related U.S. Application Data**

(63) Continuation of application No. 29/503,702, filed on Sep. 29, 2014, now Pat. No. Des. 762,839.

(51) **LOC (10) Cl.** ..... **23-04**

(52) **U.S. Cl.**  
USPC ..... **D23/411**

(58) **Field of Classification Search**  
USPC ..... D23/370, 377, 379, 384, 385, 387, D23/411-414, 499; D26/51, 59, 67, 72, D26/85, 88, 124; 362/96; 416/5, 170 R, 416/214 R, 184, 206, 207, 210 R, 416/220 R, 244 R; 417/423.1; 392/361-364

CPC ..... F04D 25/088; F04D 29/384; F01D 5/02; F21S 8/04; F21V 33/00; F21V 33/0096  
See application file for complete search history.

(56) **References Cited**

**U.S. PATENT DOCUMENTS**

5,151,011 A 9/1992 Rezek  
D346,858 S 5/1994 Lee

D378,403 S 3/1997 Jaspers-Fayer  
D382,636 S 8/1997 Yang  
D384,737 S 10/1997 Gee, II  
D389,568 S 1/1998 Gee, II et al.  
D389,569 S 1/1998 Gee, II et al.  
D396,530 S 7/1998 Tai  
D408,518 S 4/1999 Liu  
D408,524 S 4/1999 Tsuji et al.  
5,899,663 A 5/1999 Feder et al.  
D450,830 S 11/2001 Hidalgo  
D475,782 S 6/2003 Hidalgo

(Continued)

*Primary Examiner* — Susan Bennett Hattan

*Assistant Examiner* — Marie Fast Horse

(74) *Attorney, Agent, or Firm* — Baker & McKenzie LLP

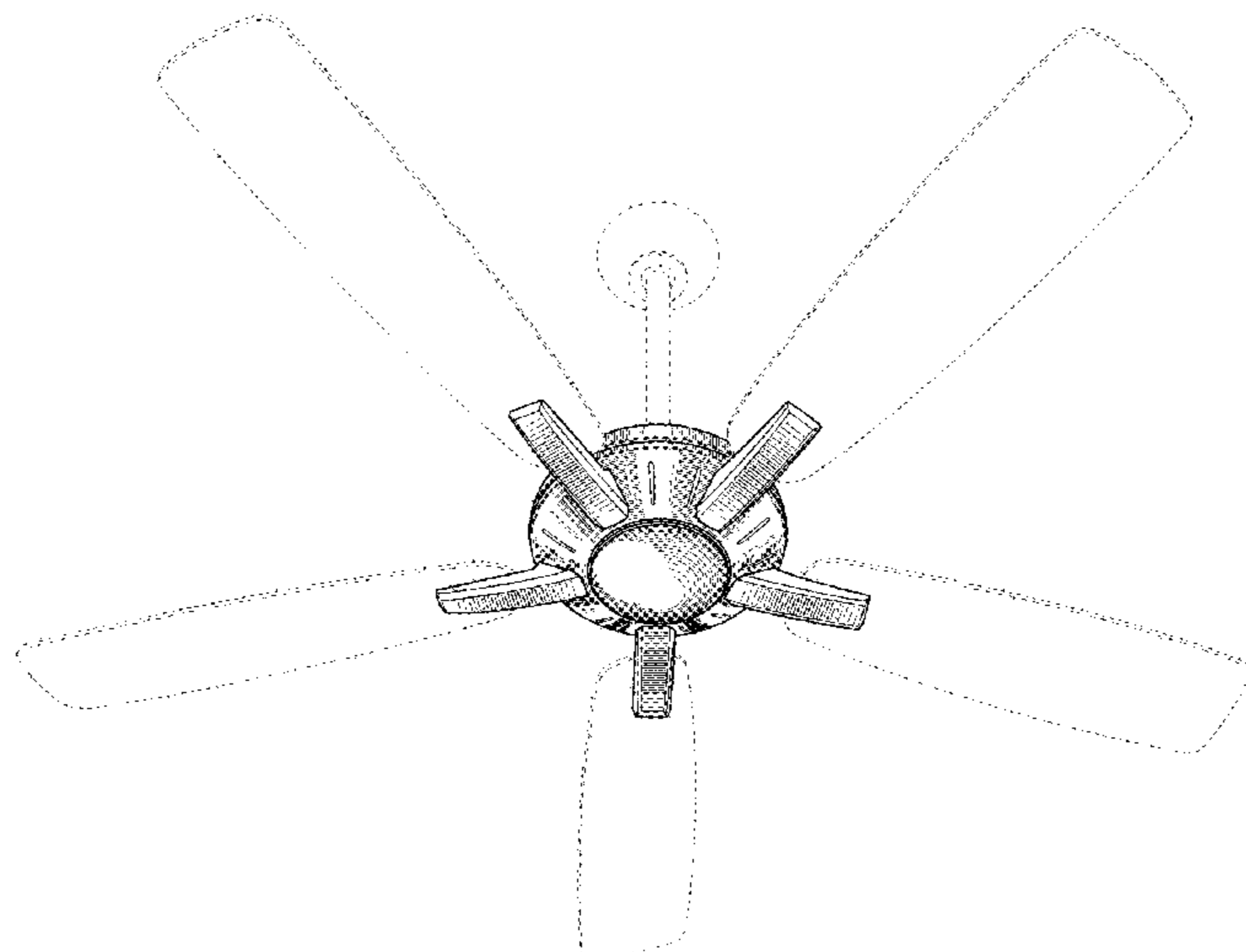
(57) **CLAIM**

The ornamental design for a ceiling fan housing with light fixture, as shown and described.

**DESCRIPTION**

FIG. 1 is a perspective view of a ceiling fan housing with light fixture in accordance with my design;  
FIG. 2 is a top plan view of the ceiling fan housing with light fixture in accordance with my design;  
FIG. 3 is a bottom plan view of the ceiling fan housing with light fixture in accordance with my design;  
FIG. 4 is an enlarged rear elevation view of the ceiling fan housing with light fixture in accordance with my design;  
FIG. 5 is an enlarged front elevation view of the ceiling fan housing with light fixture in accordance with my design;  
FIG. 6 is an enlarged right-side elevation view of the ceiling fan housing with light fixture in accordance with my design; and,  
FIG. 7 is an enlarged left-sided elevation view of the ceiling fan housing with light fixture in accordance with my design. The broken lines showing the blades, down-rod, and canopy depict environmental structure only and form no part of the claim, while the remaining broken lines depict portions of the ceiling fan housing with light fixture that form no part of the claimed design.

**1 Claim, 4 Drawing Sheets**



(56)

References Cited

U.S. PATENT DOCUMENTS

D476,408 S	6/2003	Hidalgo	D593,194 S	5/2009	Pan	
D476,728 S	7/2003	Gajewski	D594,958 S	6/2009	Hidalgo	
D477,068 S	7/2003	Hsieh	D599,461 S	9/2009	Ertze	
D483,850 S	12/2003	Tai	D603,035 S	10/2009	Yang	
D484,588 S	12/2003	Tai	D607,096 S	12/2009	Searle	
D485,344 S	1/2004	Tai	D621,496 S	8/2010	Chen	
D488,555 S	4/2004	Huang	D627,051 S	11/2010	Pan	
6,884,035 B2	4/2005	Young	D635,236 S	3/2011	Orozco	
D510,428 S	10/2005	Hidalgo	D648,843 S	11/2011	Chen	
D523,545 S	6/2006	Young	D671,632 S	11/2012	Jones et al.	
D529,163 S	9/2006	Young	D690,410 S	9/2013	Passauer, III	
D531,298 S	10/2006	Hidalgo	D692,120 S	10/2013	Noble et al.	
D547,857 S	7/2007	Lee	D706,920 S	6/2014	Cohen	
D553,731 S	10/2007	Bucher et al.	D715,918 S	10/2014	Pan	
D572,814 S	7/2008	Bucher et al.	D715,919 S	10/2014	Pan	
D576,265 S	9/2008	Bucher et al.	D744,629 S	12/2015	Wang	
D586,902 S	2/2009	Orozco	D744,633 S	12/2015	Wang	
D590,489 S	4/2009	Bucher et al.	D760,368 S *	6/2016	Chen .....	D23/377
			D762,836 S *	8/2016	Schulzman .....	D23/377
			D762,839 S *	8/2016	Schulzman .....	D23/411
			2003/0219340 A1	11/2003	Hidalgo	

\* cited by examiner

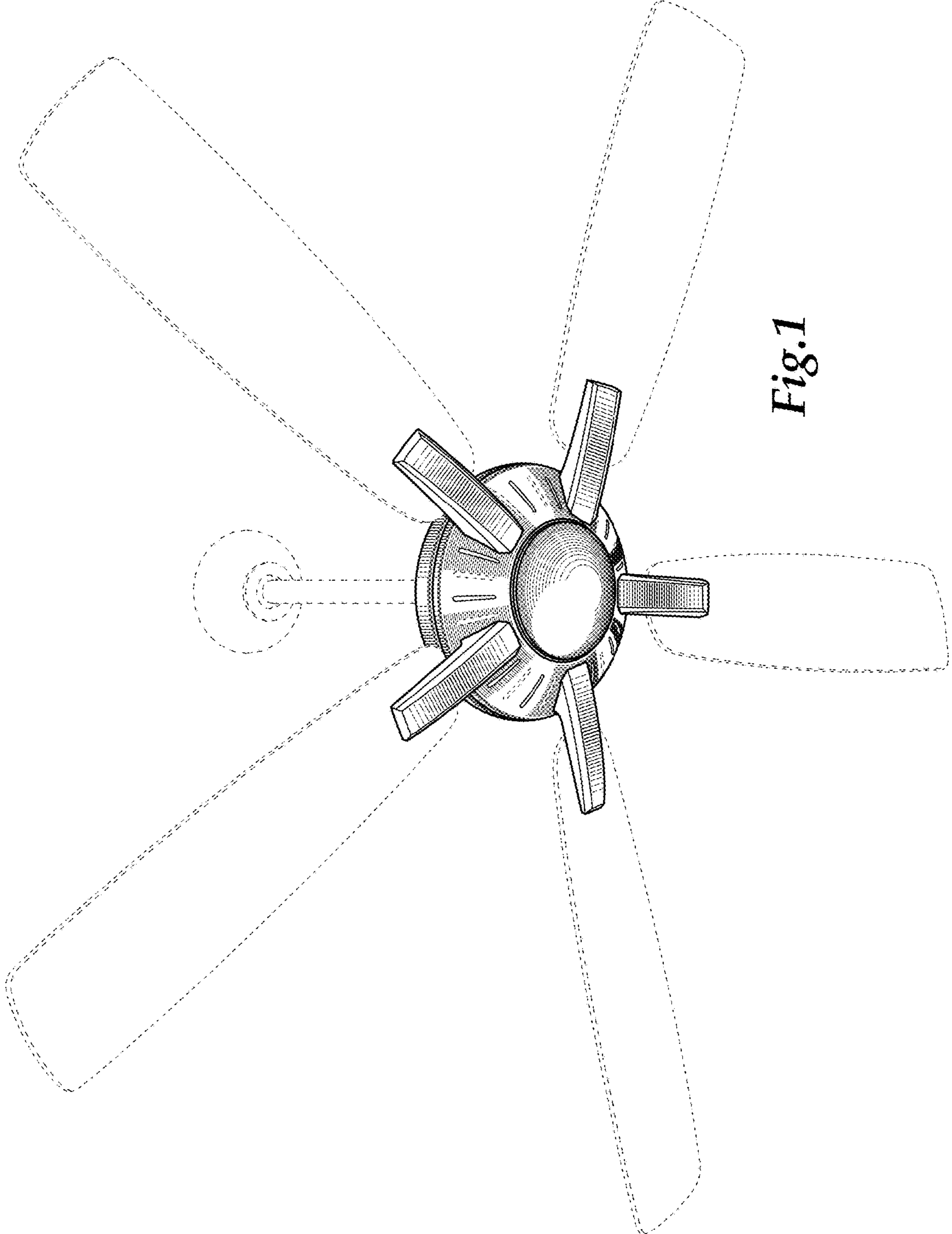
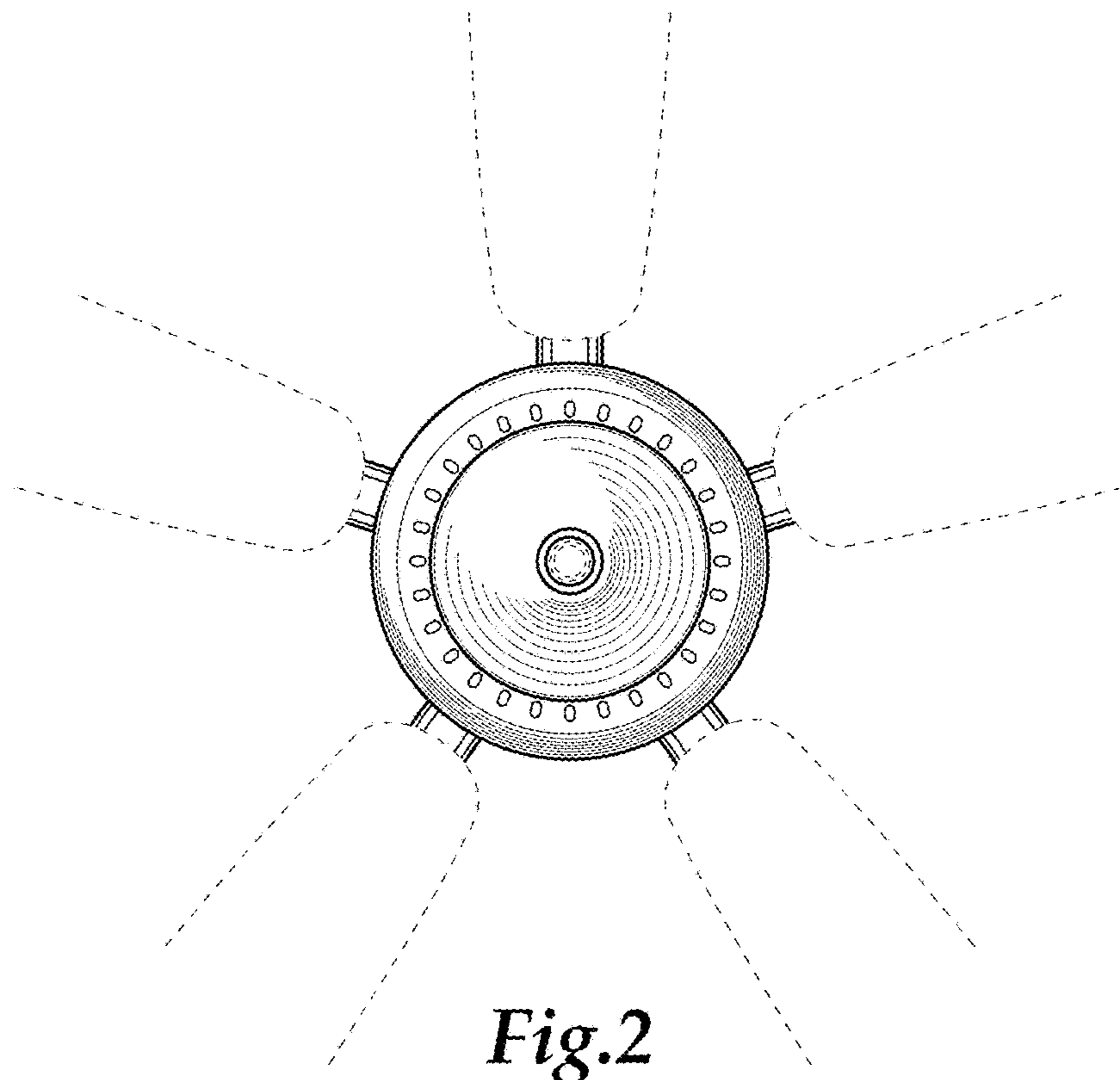
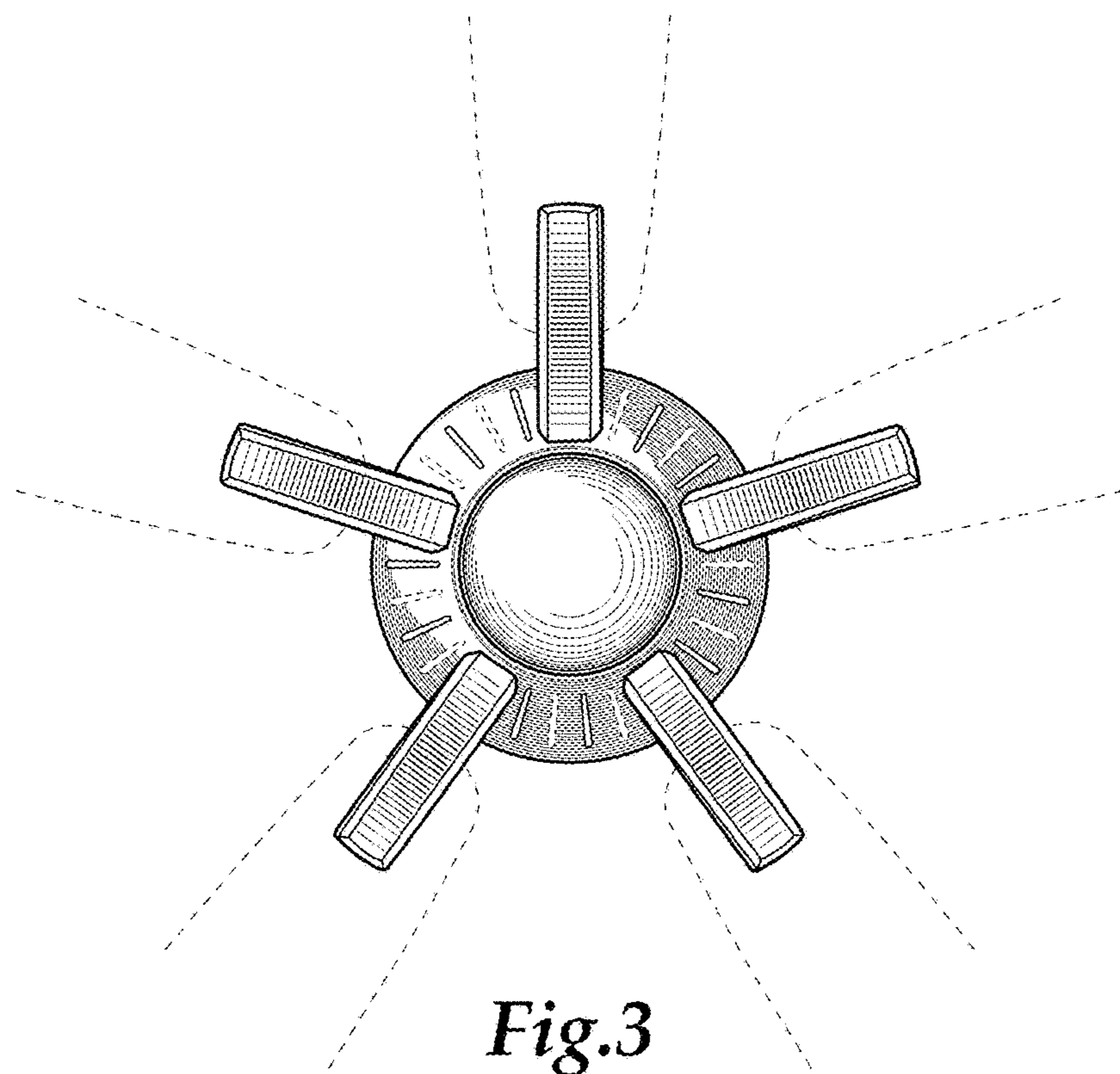


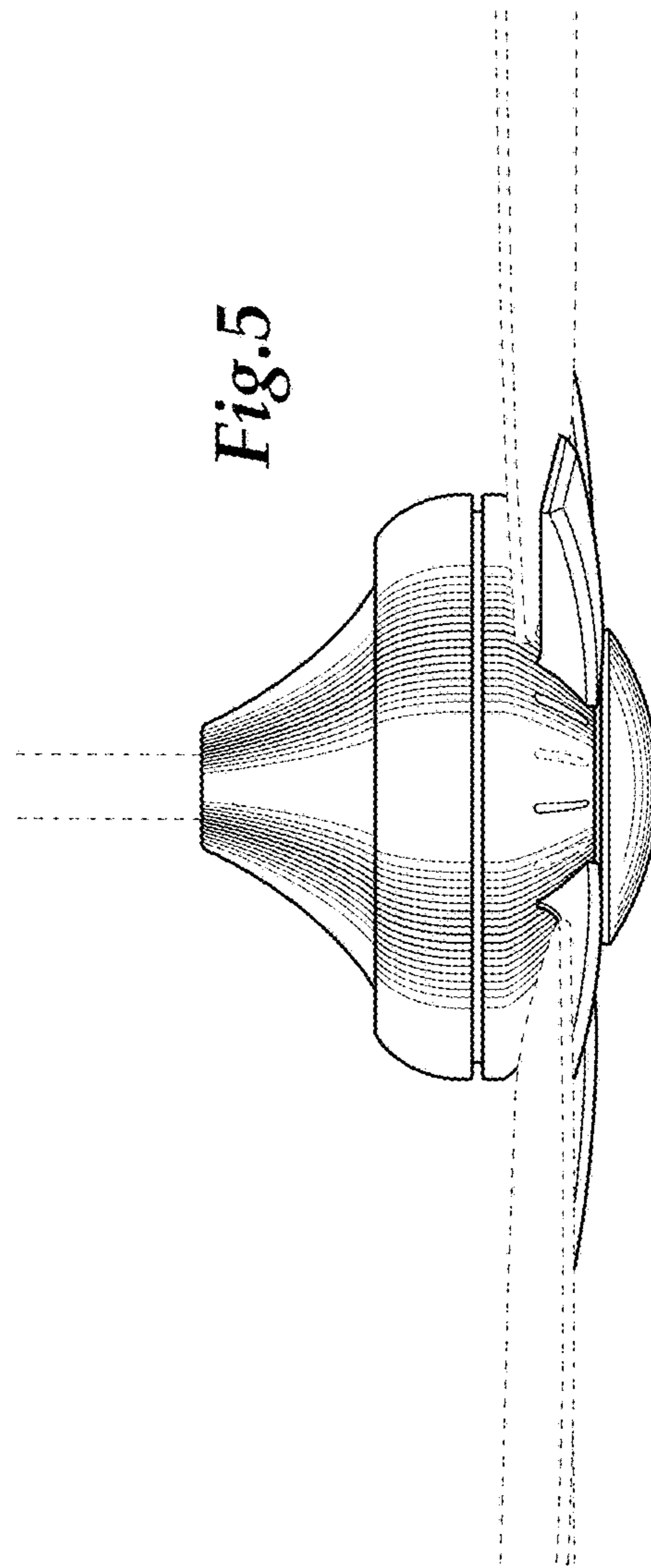
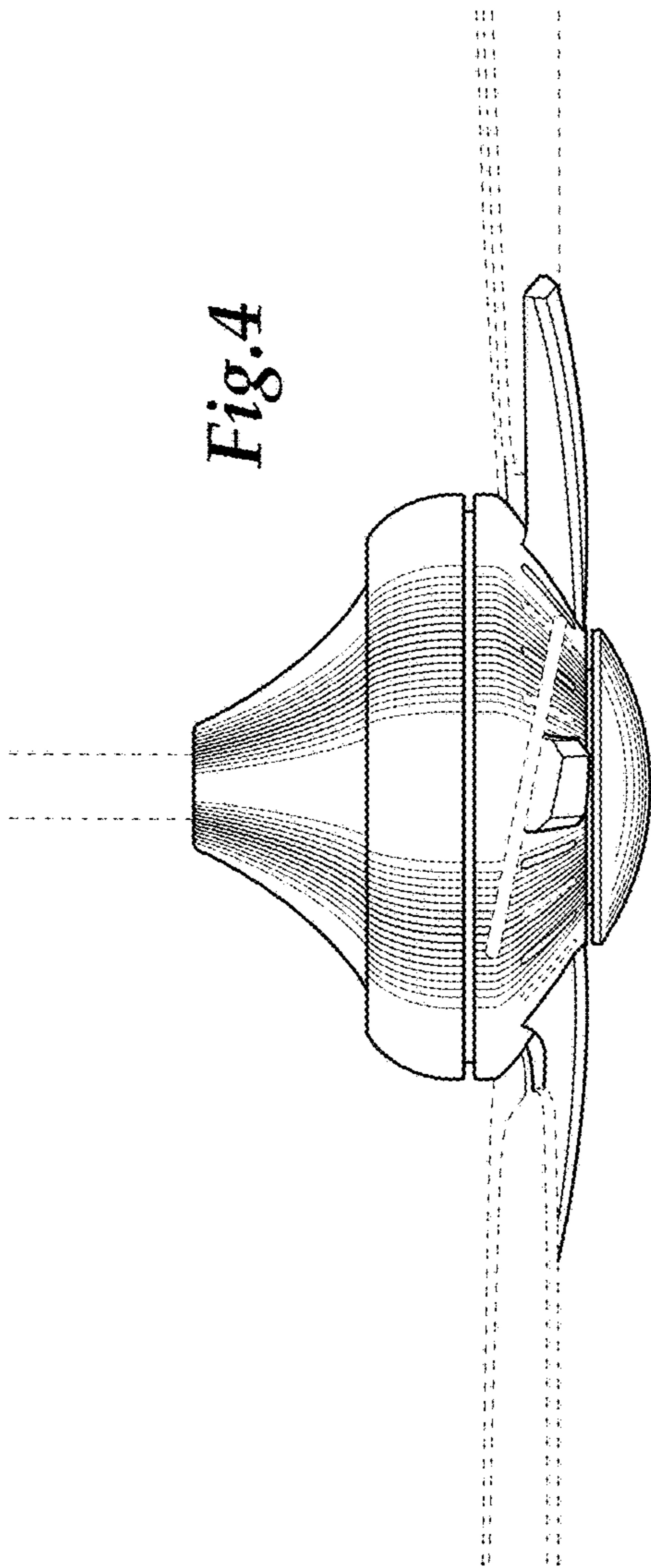
Fig. 1



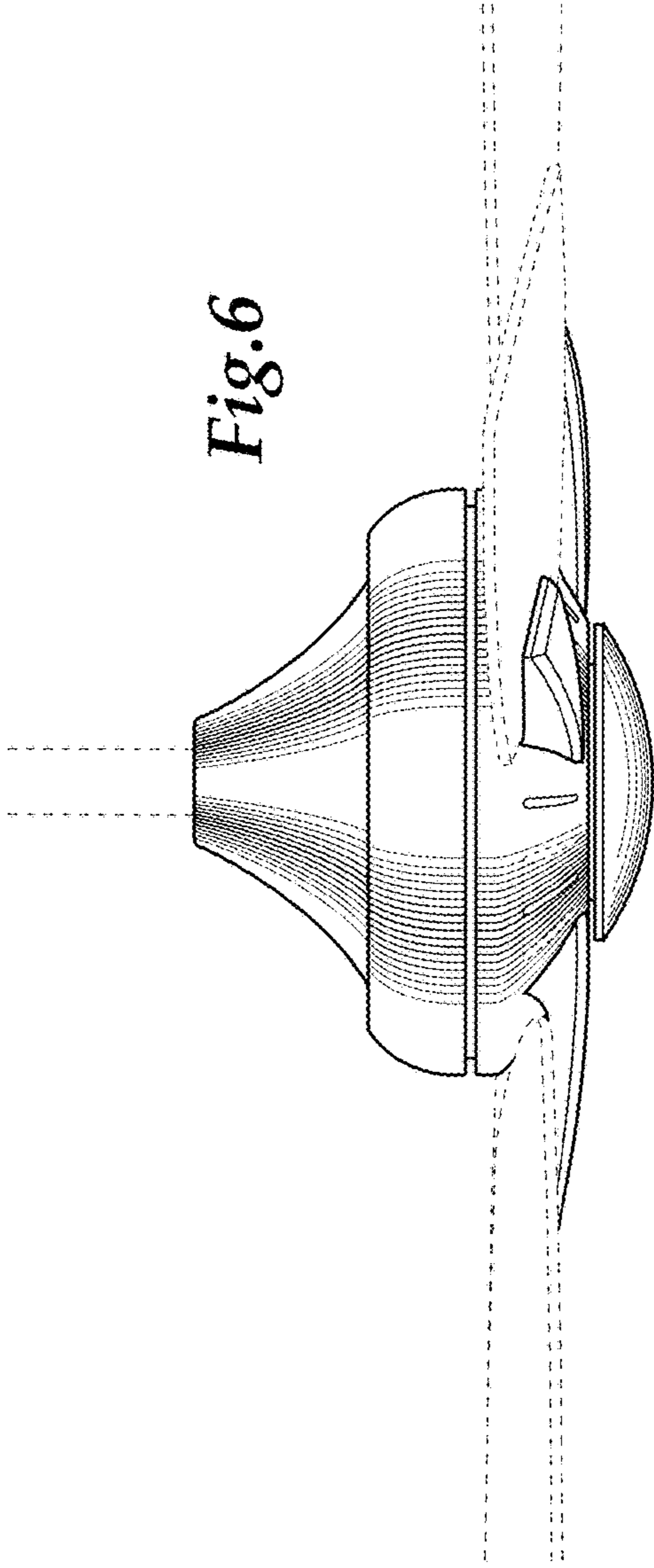
*Fig.2*



*Fig.3*



*Fig.6*



*Fig.7*

