



US00D780904S

(12) **United States Design Patent** (10) **Patent No.:** **US D780,904 S**
Gajewski (45) **Date of Patent:** **** *Mar. 7, 2017**

- (54) **CEILING FAN HOUSING**
- (71) Applicant: **Minka Lighting, Inc.**, Corona, CA (US)
- (72) Inventor: **Mark Gajewski**, Avila Beach, CA (US)
- (73) Assignee: **Minka Lighting, Inc.**, Corona, CA (US)
- (*) Notice: This patent is subject to a terminal disclaimer.
- (**) Term: **15 Years**
- (21) Appl. No.: **29/565,817**
- (22) Filed: **May 24, 2016**

D346,439 S 4/1994 Liu
 D346,858 S 5/1994 Lee
 D352,997 S 11/1994 DiPasquale
 D355,027 S 1/1995 Young
 5,440,459 A 8/1995 Chan
 (Continued)

OTHER PUBLICATIONS

Minka Aire Geo-Gem Ceiling Fan Model F735-LN. hansenwholesale.com (online) 9 pgs. Uploaded Jan. 2014 [retrieved on Jan. 28, 2015]. Retrieved from Internet: <<http://www.hansenwholesale.com/ceilingfans/minkaaire/model.asp?ProdNo=MF-F735-LN>>.

Primary Examiner — Sandra Snapp
 (74) *Attorney, Agent, or Firm* — Baker & McKenzie LLP

(57) **CLAIM**

The ornamental design for a ceiling fan housing, as shown and described.

DESCRIPTION

FIG. 1 is a perspective view of a ceiling fan housing in accordance with my design;
 FIG. 2 is a top plan view of the ceiling fan housing in accordance with my design;
 FIG. 3 is a bottom plan view of the ceiling fan housing in accordance with my design;
 FIG. 4 is a side elevation view of the ceiling fan housing in accordance with my design, the opposite side being identical thereto; and,
 FIG. 5 is a front elevation view of the ceiling fan housing in accordance with my design, the rear view being identical thereto.

The broken line disclosure of elements is understood to represent portions of the article in which the design is embodied and are environmental, but form no part of the claimed design. The ends of the fan blades in FIGS. 2-5 have been broken-away for ease of illustration.

1 Claim, 3 Drawing Sheets

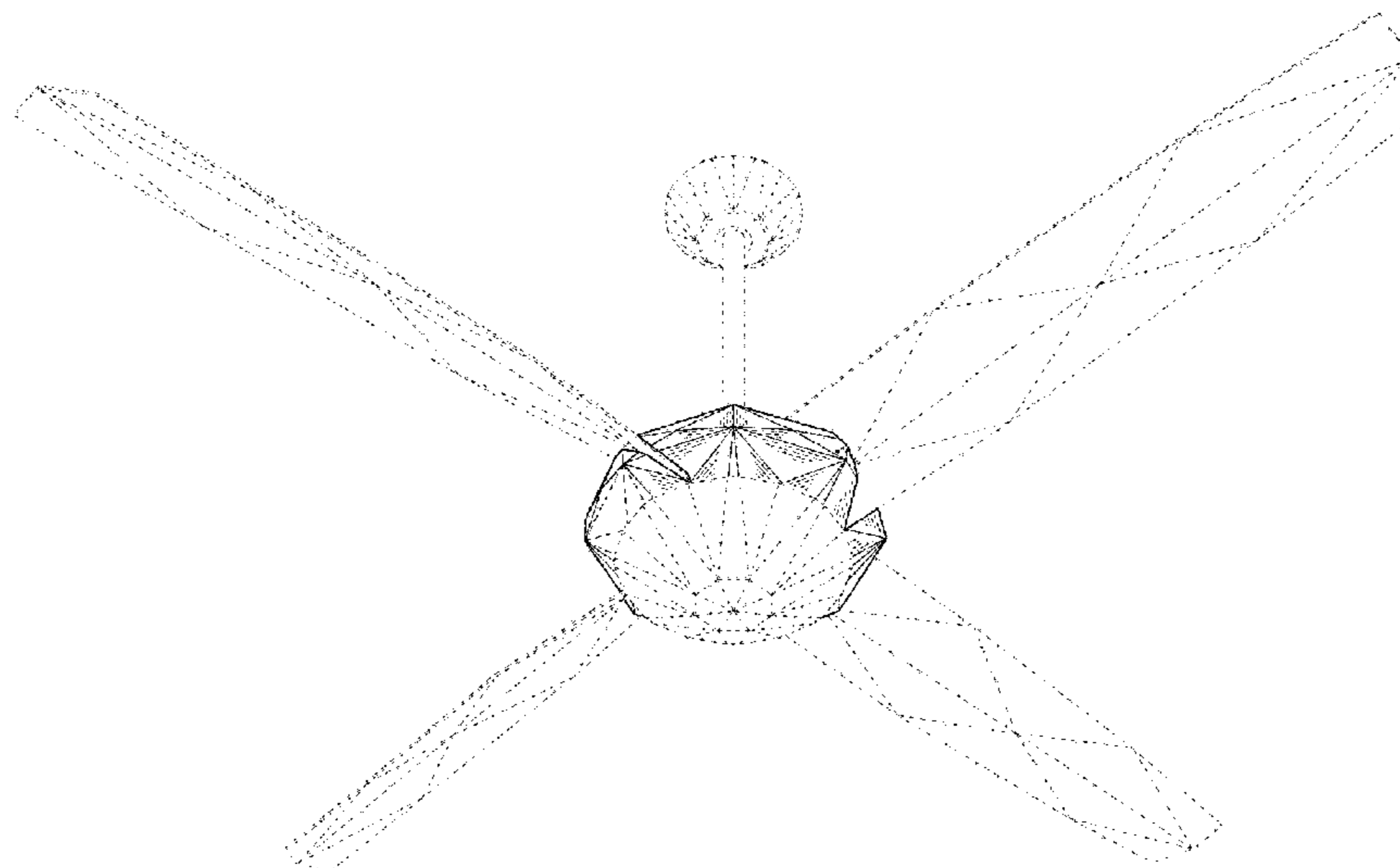
Related U.S. Application Data

- (63) Continuation of application No. 29/501,250, filed on Sep. 2, 2014, now Pat. No. Des. 759,228.
- (51) **LOC (10) Cl.** **23-04**
- (52) **U.S. Cl.**
USPC **D23/411**
- (58) **Field of Classification Search**
USPC D23/370-385, 411-414, 59;
392/360-364; 416/5, 170 R, 93 R, 210 R,
416/223 R, 207
CPC F04D 29/34; F04D 29/38; F04D 25/088
See application file for complete search history.

(56) **References Cited**

U.S. PATENT DOCUMENTS

4,592,702 A	6/1986	Bogage
D297,360 S	8/1988	Cheslock
D304,229 S	10/1989	Rezek
D314,618 S	2/1991	Yen
D315,599 S	3/1991	Freeman
D345,790 S	4/1994	Caldwell
D346,438 S	4/1994	Caldwell



(56)

References Cited

U.S. PATENT DOCUMENTS

D376,008 S 11/1996 Chan
 D377,975 S 2/1997 Young
 D379,073 S 5/1997 Yuan
 D387,149 S 12/1997 Tsuji
 D394,103 S 5/1998 Lee
 D408,073 S 4/1999 Tai
 D408,074 S 4/1999 Tai
 D408,516 S 4/1999 Tai
 D408,518 S 4/1999 Liu
 D409,297 S 5/1999 Tai
 D417,270 S 11/1999 Thomas
 D428,984 S 8/2000 Lee
 D430,280 S 8/2000 Huang
 D433,114 S 10/2000 Liu
 D434,491 S 11/2000 Nourse
 D448,840 S 10/2001 Gajewski
 D453,217 S 1/2002 Young
 D453,563 S 2/2002 Bogazzi
 6,394,756 B1 5/2002 Bucher
 D465,297 S 11/2002 Thomas
 D466,206 S 11/2002 Gajewski
 D475,801 S 6/2003 Stewart
 D476,728 S 7/2003 Gajewski
 D477,068 S 7/2003 Hsieh

D489,124 S 4/2004 Young
 D492,022 S 6/2004 Young
 D494,267 S 8/2004 Burns
 D499,983 S 12/2004 Haggar
 D508,126 S 8/2005 Curtin
 D511,710 S 11/2005 Bobovnikov
 D512,138 S 11/2005 Clymer
 D514,692 S 2/2006 Gajewski
 D519,199 S 4/2006 Gajewski
 D519,625 S 4/2006 Young
 D522,645 S 6/2006 Ertze
 D535,907 S 1/2007 Sevdermish
 D551,753 S 9/2007 Ertze
 D576,265 S 9/2008 Bucher et al.
 D590,489 S 4/2009 Bucher et al.
 D596,733 S 7/2009 Kihara
 D596,734 S 7/2009 Kihara
 D599,461 S 9/2009 Ertze
 D643,768 S 8/2011 Botha
 D750,217 S * 2/2016 Gajewski D23/411
 D750,218 S * 2/2016 Gajewski D23/411
 D758,562 S * 6/2016 Gajewski D23/411
 D759,228 S * 6/2016 Gajewski D23/411
 2008/0069698 A1 3/2008 Laisathit
 2012/0219440 A1 8/2012 Seccareccia
 2013/0038255 A1 2/2013 Trainque

* cited by examiner

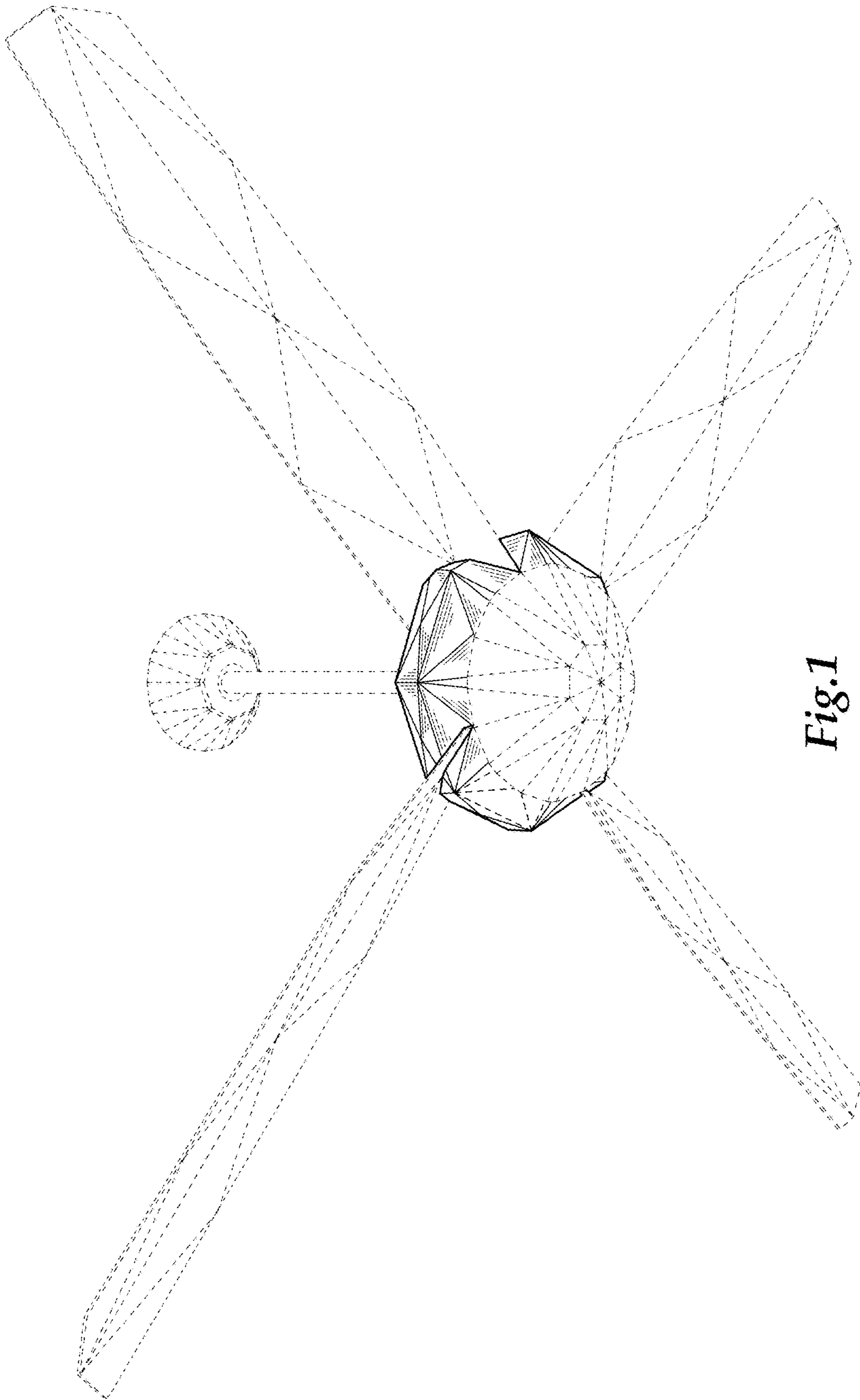


Fig.1

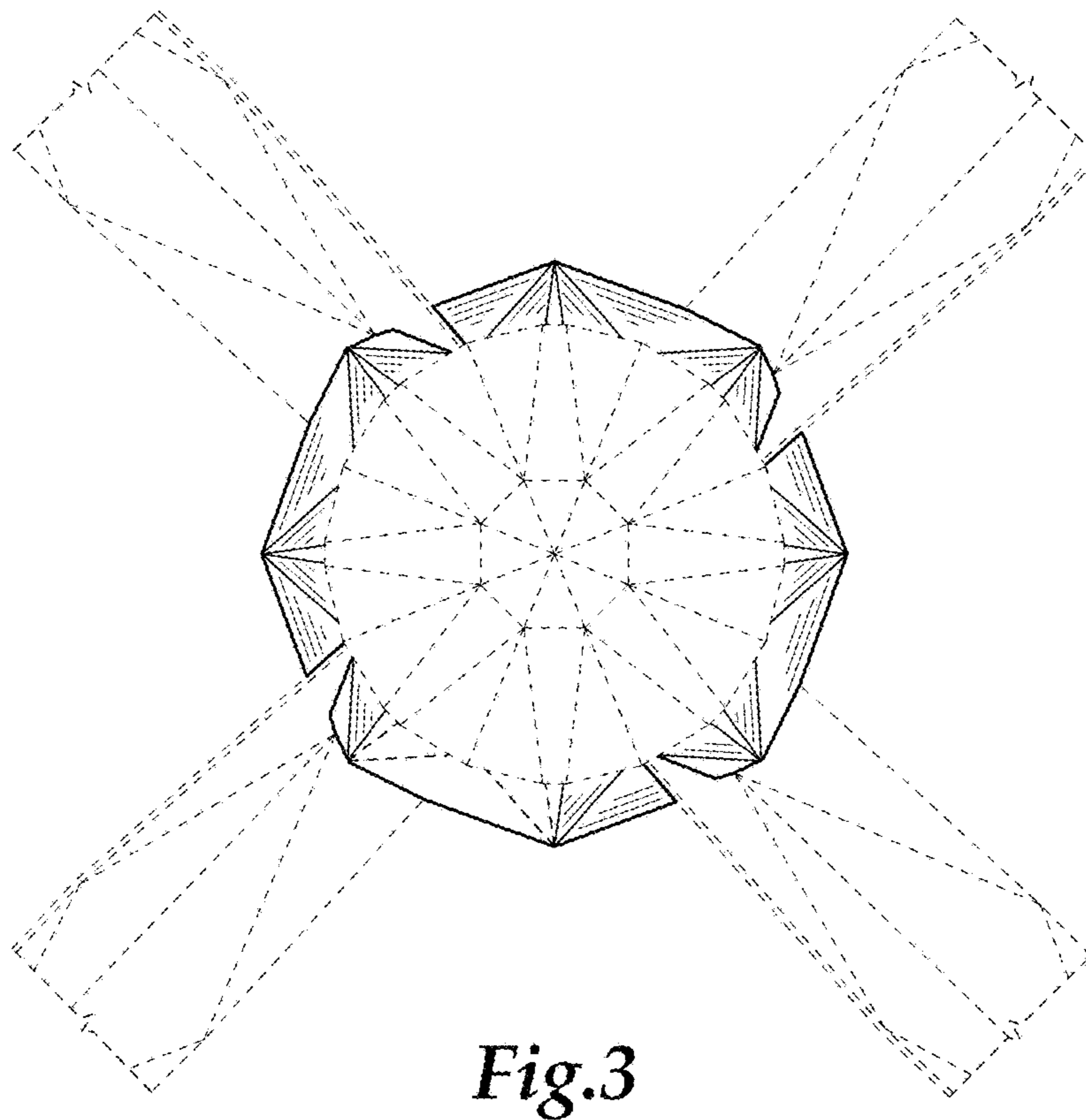
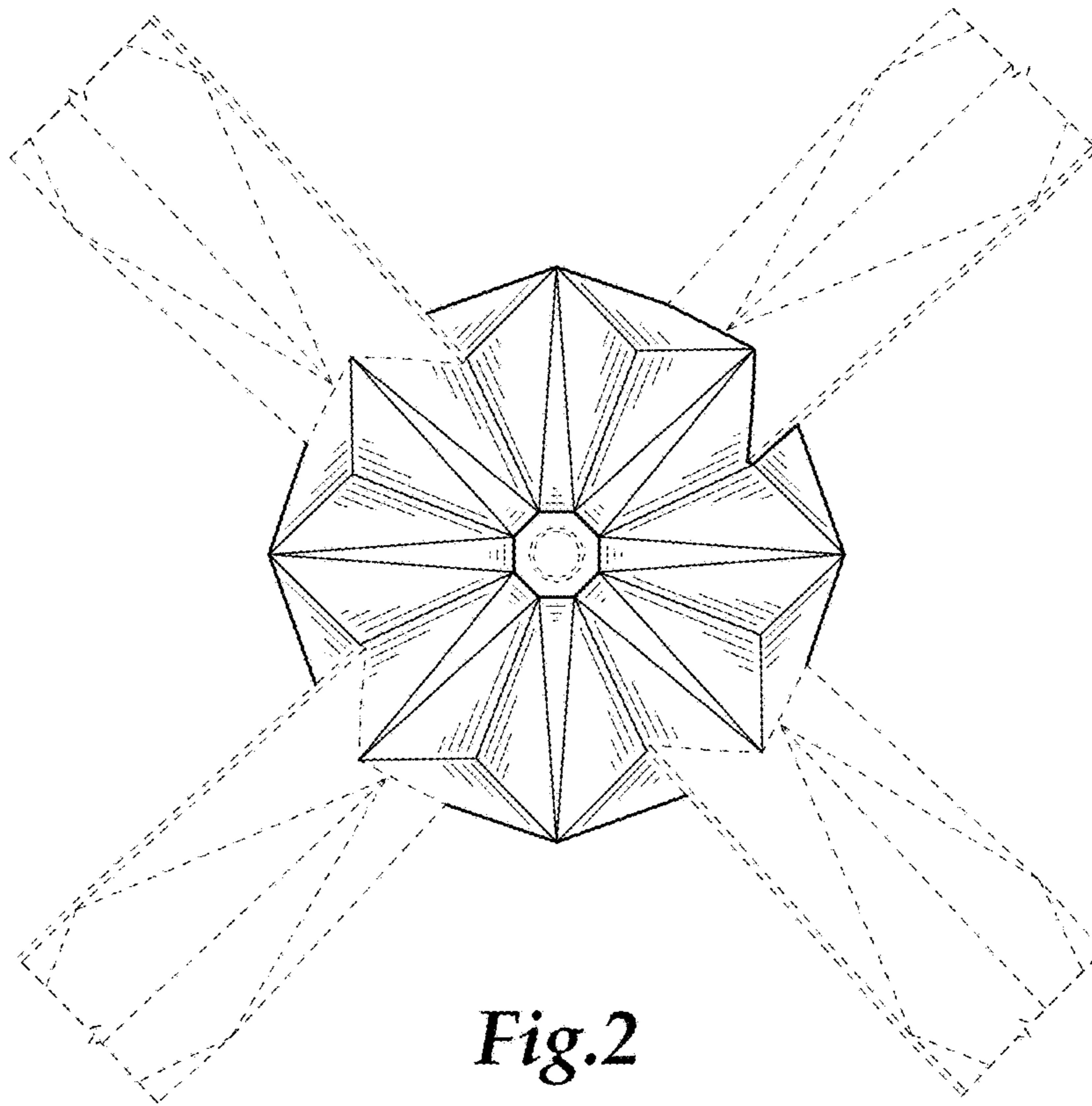


Fig.4

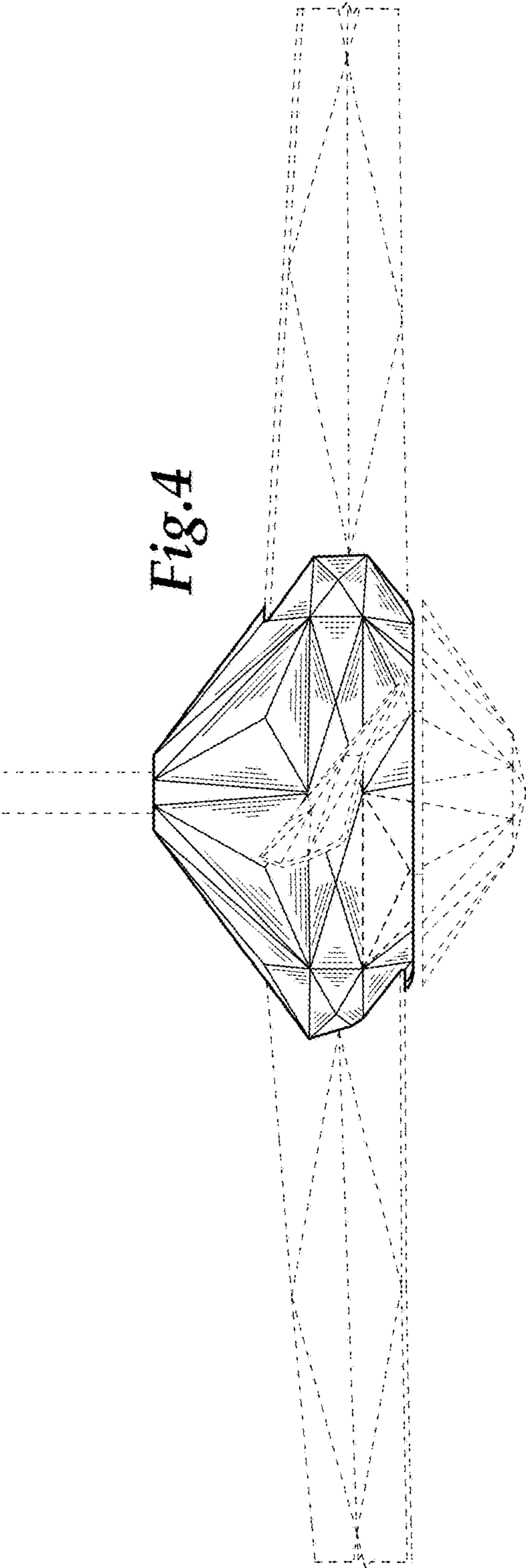


Fig.5

