



US00D780902S

(12) **United States Design Patent** (10) **Patent No.:** **US D780,902 S**
Gajewski (45) **Date of Patent:** **** Mar. 7, 2017**

- (54) **CEILING FAN**
- (71) Applicant: **Minka Lighting, Inc.**, Corona, CA (US)
- (72) Inventor: **Mark Gajewski**, Avila Beach, CA (US)
- (73) Assignee: **Minka Lighting, Inc.**, Corona, CA (US)

- D535,011 S 1/2007 Gajewski
 - D535,387 S 1/2007 Gajewski
 - D535,388 S 1/2007 Gajewski
 - D536,083 S 1/2007 Gajewski
 - D670,802 S 11/2012 Wang
 - D671,203 S 11/2012 Wang
 - D678,997 S * 3/2013 Gajewski D23/372
 - D680,210 S 4/2013 Chan
- (Continued)

- (**) Term: **15 Years**
- (21) Appl. No.: **29/552,865**
- (22) Filed: **Jan. 26, 2016**

Related U.S. Application Data

- (63) Continuation-in-part of application No. 29/511,467, filed on Dec. 10, 2014, now abandoned.
- (51) **LOC (10) Cl.** **23-04**
- (52) **U.S. Cl.**
USPC **D23/377**
- (58) **Field of Classification Search**
USPC D23/377, 387, 411-414, 499; 416/1, 5, 416/170 R, 214 R, 184, 206, 207, 210 R, 416/220 R, 244 R, 248; 392/364; D26/59, 51, 72, 73, 80-86, 88, 90
CPC F04D 25/088; F04D 29/601; F04D 29/322; F04D 29/324; F21V 33/0096; B64C 11/16; B64C 11/26
See application file for complete search history.

References Cited

- (56) **U.S. PATENT DOCUMENTS**
- 2,023,454 A * 12/1935 Warren B64C 11/16 416/234
- 2,058,122 A * 10/1936 Assala B64C 11/16 416/234
- D131,699 S * 3/1942 Funk 416/202

OTHER PUBLICATIONS

Ariel Ceiling Fan. [legendastin.com](http://www.legendastin.com) [online] 1 page. Jul. 2013. [retrieved on Aug. 14, 2015]. Retrieved from Internet: <<http://www.legendastin.com/wp-content/uploads/2013/07/fan3.jpg>>.*

Primary Examiner — Susan Bennett Hattan
Assistant Examiner — Marie Fast Horse
(74) *Attorney, Agent, or Firm* — Baker & McKenzie LLP

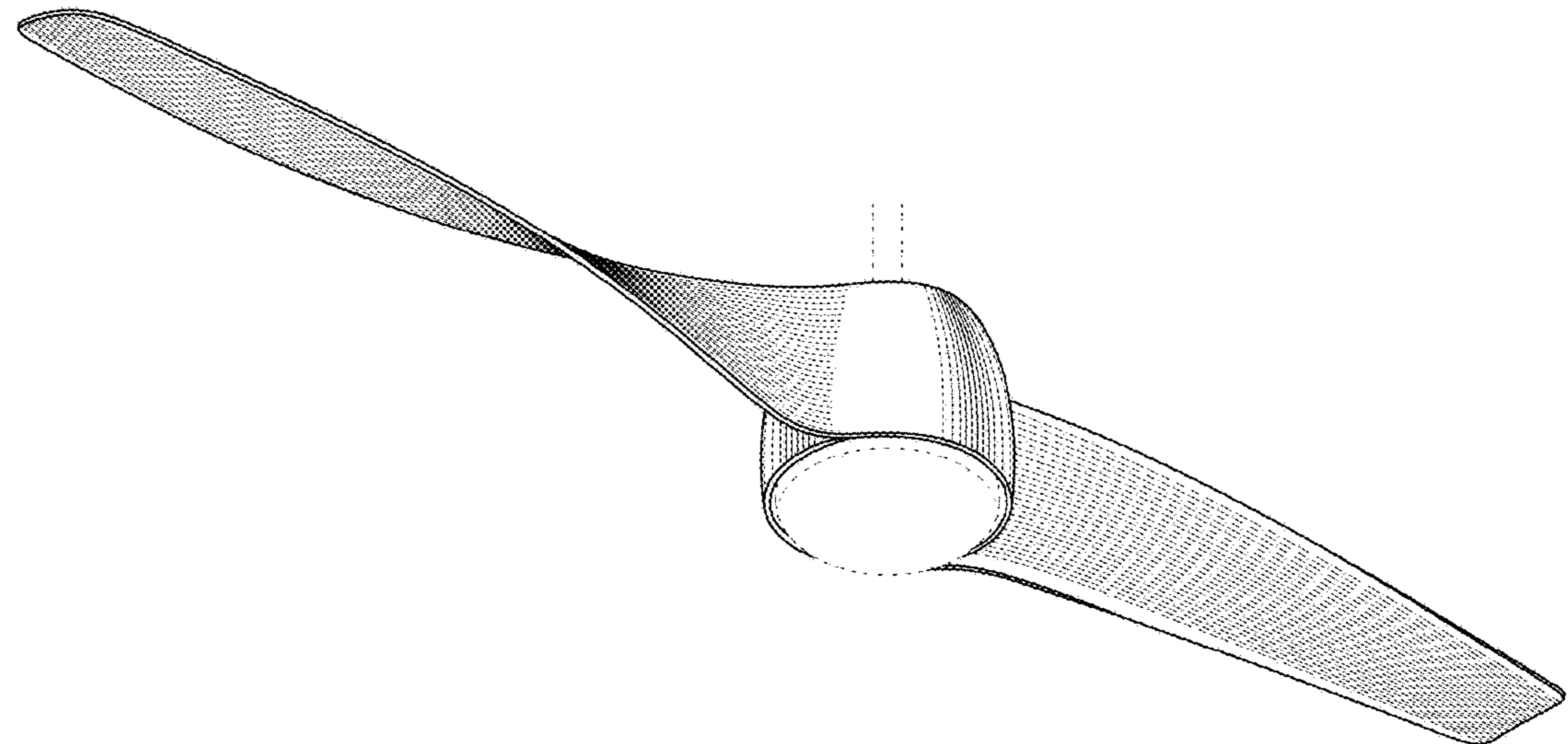
CLAIM

(57) The ornamental design for a ceiling fan, as shown and described.

DESCRIPTION

FIG. 1 is a perspective view of a ceiling fan in accordance with my design;
FIG. 2 is a top plan view of the ceiling fan in accordance with my design;
FIG. 3 is a bottom plan view of the ceiling fan in accordance with my design;
FIG. 4 is a front side view of the ceiling fan in accordance with my design, the rear side being identical thereto; and, FIG. 5 is a left side elevation view of the ceiling fan in accordance with my design, the opposite side view being identical thereto.
The broken-line disclosure of elements is understood to represent portions of the article in which the design is embodied, but which form no part of the claimed design.

1 Claim, 2 Drawing Sheets



(56)

References Cited

U.S. PATENT DOCUMENTS

D715,419	S	10/2014	Schulzman	
D715,421	S *	10/2014	Schulzman D23/413
D716,438	S	10/2014	Liu	
D721,430	S	1/2015	Schulzman	
D726,297	S *	4/2015	Liu D23/377
D741,468	S	10/2015	Ertze	
D750,213	S *	2/2016	Schulzman D23/385
D762,296	S *	7/2016	Badarello D23/377
2007/0104583	A1	5/2007	Gajewski	
2009/0220347	A1 *	9/2009	Ball B64C 11/26 416/229 R
2012/0177496	A1	7/2012	Gajewski	
2016/0131152	A1 *	5/2016	Wang F04D 29/34 416/214 R

* cited by examiner

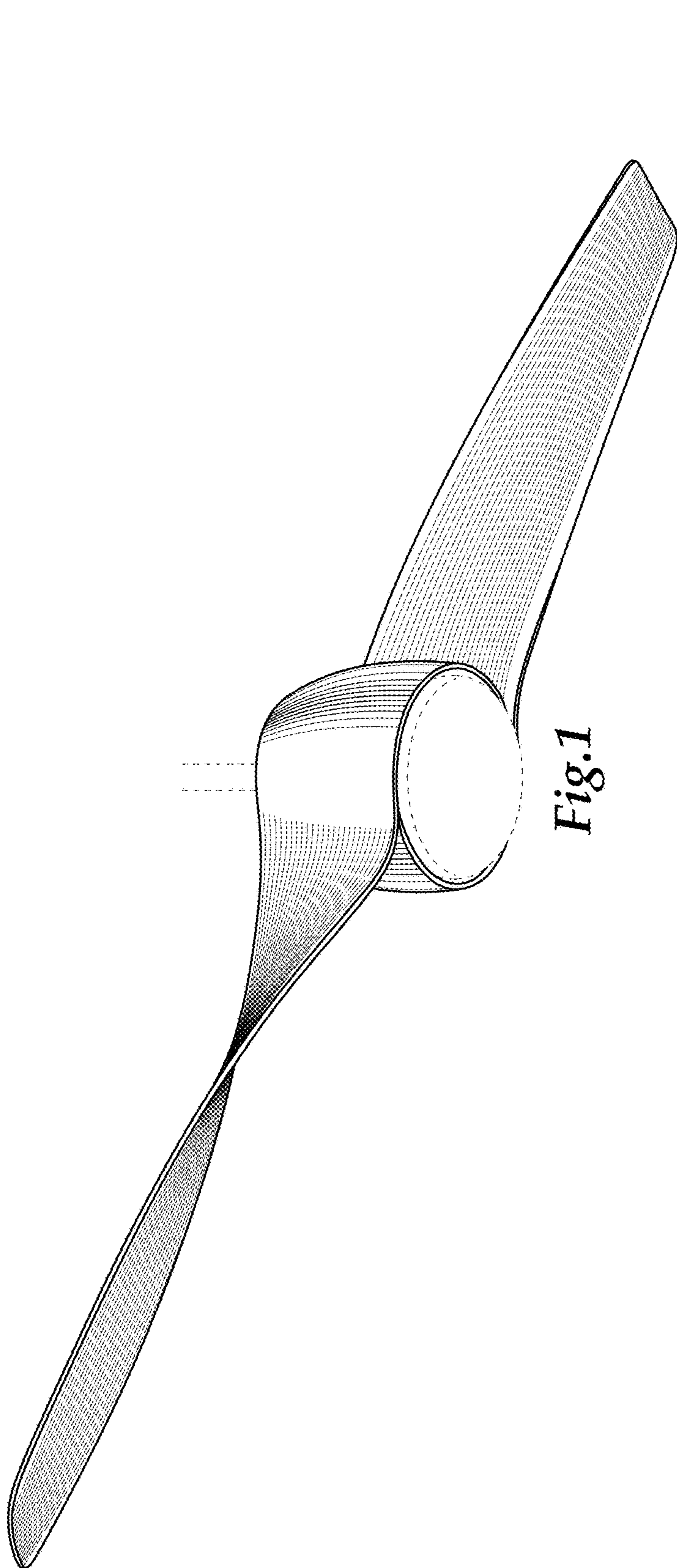


Fig.1

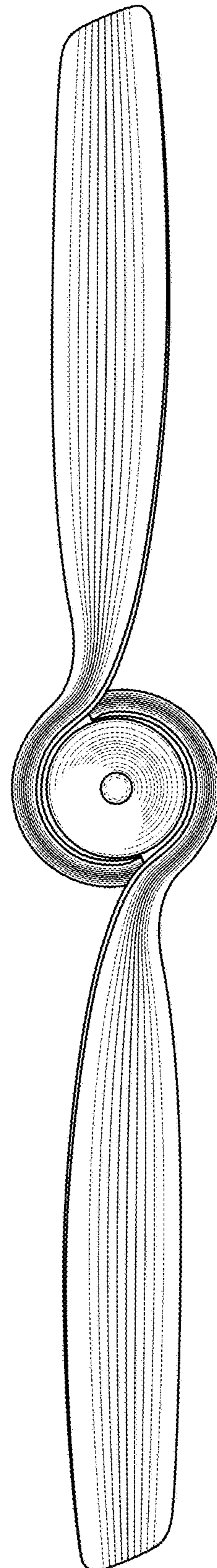


Fig.2

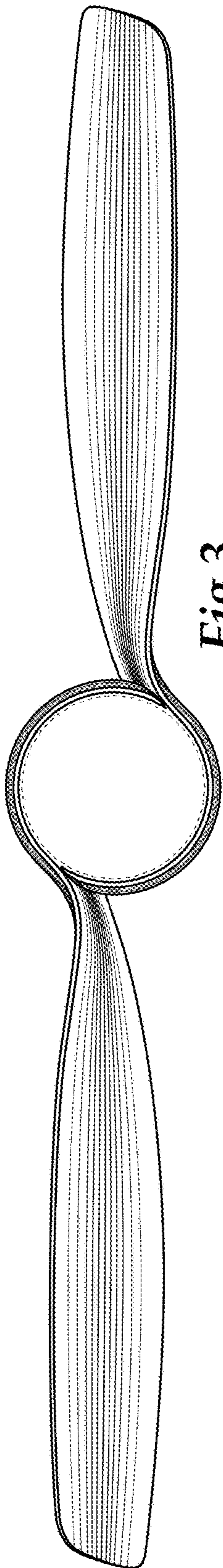


Fig.3

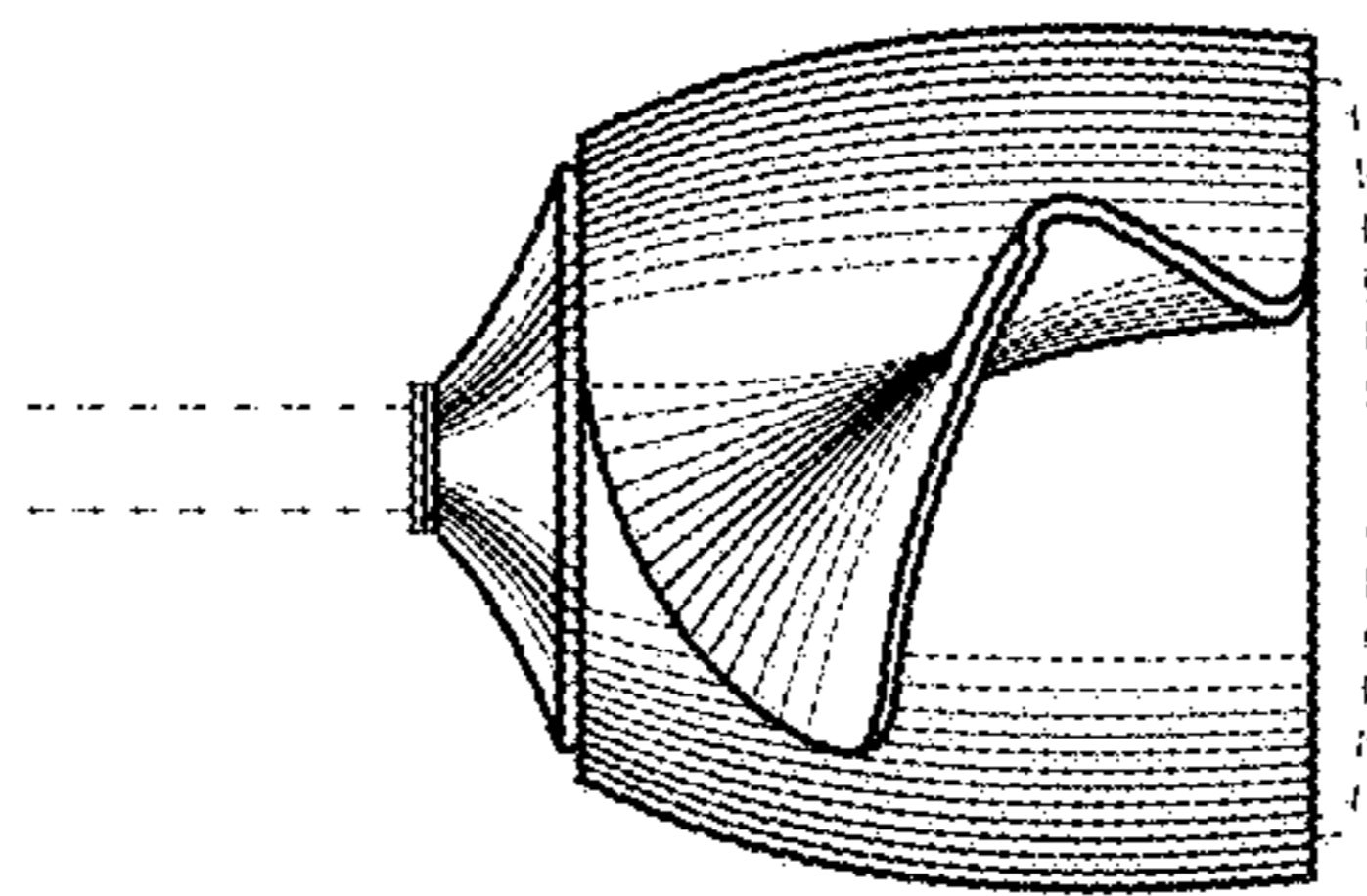


Fig.4

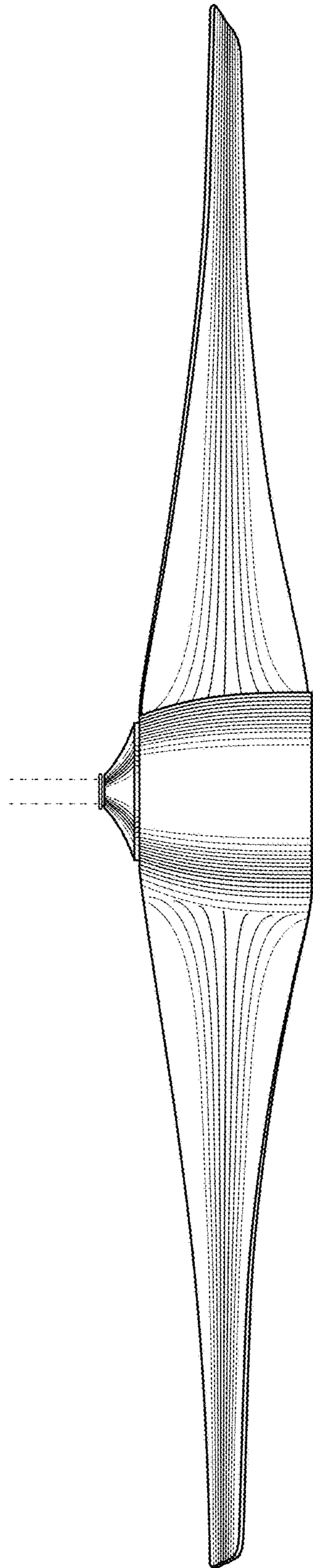


Fig.5