



US00D780901S

(12) **United States Design Patent** (10) **Patent No.:** **US D780,901 S**  
**Huang** (45) **Date of Patent:** **\*\* Mar. 7, 2017**

(54) **DUAL PORT BLOWER**  
(71) Applicant: **DYNATRON CORPORATION**, Union City, CA (US)  
(72) Inventor: **Tai-Chi Huang**, Union City, CA (US)  
(73) Assignee: **DYNATRON CORPORATION**, Union City, CA (US)

D708,730 S \* 7/2014 Lei ..... D23/383  
D723,151 S \* 2/2015 Xu ..... D23/370  
D732,655 S \* 6/2015 Ueno ..... D13/179  
D761,948 S \* 7/2016 Schler ..... D23/370  
D774,174 S \* 12/2016 Chapman ..... D23/370  
2004/0124735 A1\* 7/2004 Hsiao ..... F04D 25/066  
310/257  
2006/0061228 A1\* 3/2006 Lee ..... H02K 21/16  
310/156.57

(Continued)

(\*\*) Term: **14 Years**

**OTHER PUBLICATIONS**

(21) Appl. No.: **29/516,838**

Ali Express | Korting | Mac Mini CPU, posted on Aug. 6, 2016, © 2010-2016 AliExpress.com [online], [site visited Sep. 9, 2016]. Available from Internet, <URL: <https://www.aliexpress.com/cheap/cheap-mac-mini-cpu.html>>.\*

(22) Filed: **Feb. 6, 2015**

(51) **LOC (10) Cl.** ..... **23-04**

(52) **U.S. Cl.**  
USPC ..... **D23/370**

(58) **Field of Classification Search**  
USPC ..... D13/175, 179; D21/455; D23/324, 332, D23/336, 370-371, 383, 390, 411-414; D32/15-16  
CPC .... B01D 46/001; F04D 29/326; F04D 29/329; F04D 29/384; F04D 29/386; F04D 29/281; F04D 29/282; F04D 29/28; F04D 29/663; F04D 29/646; F04D 29/701; F04D 29/703; F04D 29/526  
See application file for complete search history.

(Continued)

*Primary Examiner* — Philip S Hyder  
*Assistant Examiner* — Cary M Robinson  
(74) *Attorney, Agent, or Firm* — Lin & Associates Intellectual Property, Inc.

(57) **CLAIM**

The ornamental design for a dual port blower, as shown and described.

**DESCRIPTION**

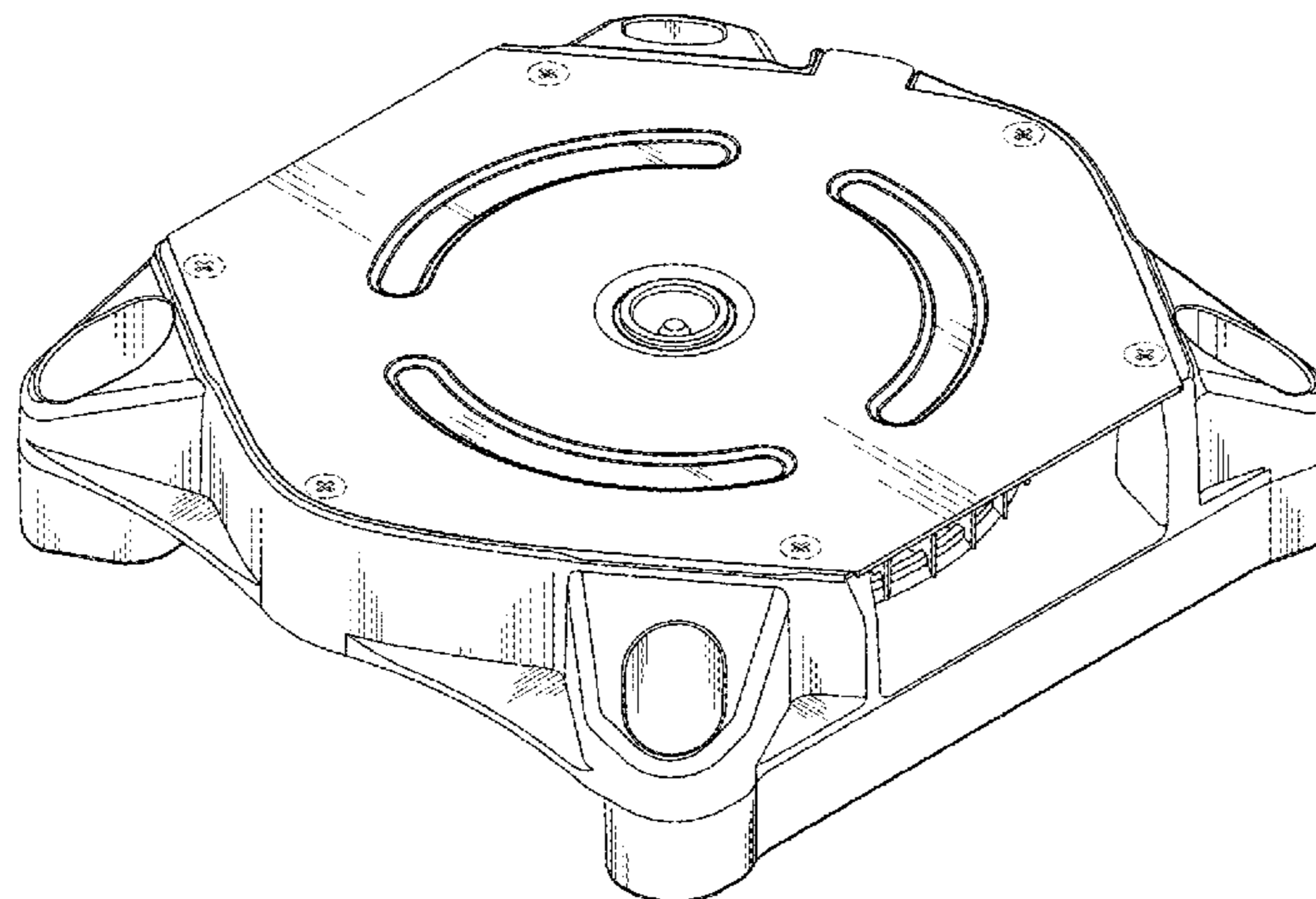
(56) **References Cited**

**U.S. PATENT DOCUMENTS**

4,164,690 A \* 8/1979 Muller ..... F04D 25/0653  
310/63  
D297,761 S \* 9/1988 Shiraki ..... D23/370  
5,770,905 A \* 6/1998 Suzuki ..... H02K 21/145  
310/216.108  
6,227,286 B1 \* 5/2001 Katsui ..... F28D 15/0266  
165/104.33  
D594,959 S \* 6/2009 Orihara ..... D23/366  
D637,706 S \* 5/2011 Kawai ..... D23/370  
D676,541 S \* 2/2013 Fu ..... D23/370  
D696,764 S \* 12/2013 Sato ..... D13/179

FIG. 1 is a perspective view of a dual port blower showing my new design;  
FIG. 2 is a front elevational view thereof;  
FIG. 3 is a rear elevational view thereof;  
FIG. 4 is a left elevational view thereof;  
FIG. 5 is a right elevational view thereof;  
FIG. 6 is a top view thereof; and,  
FIG. 7 is a bottom view thereof.  
The broken line portion of the drawings illustrates portions of the dual port blower and forms no part of the claimed design.

**1 Claim, 7 Drawing Sheets**



(56)

**References Cited**

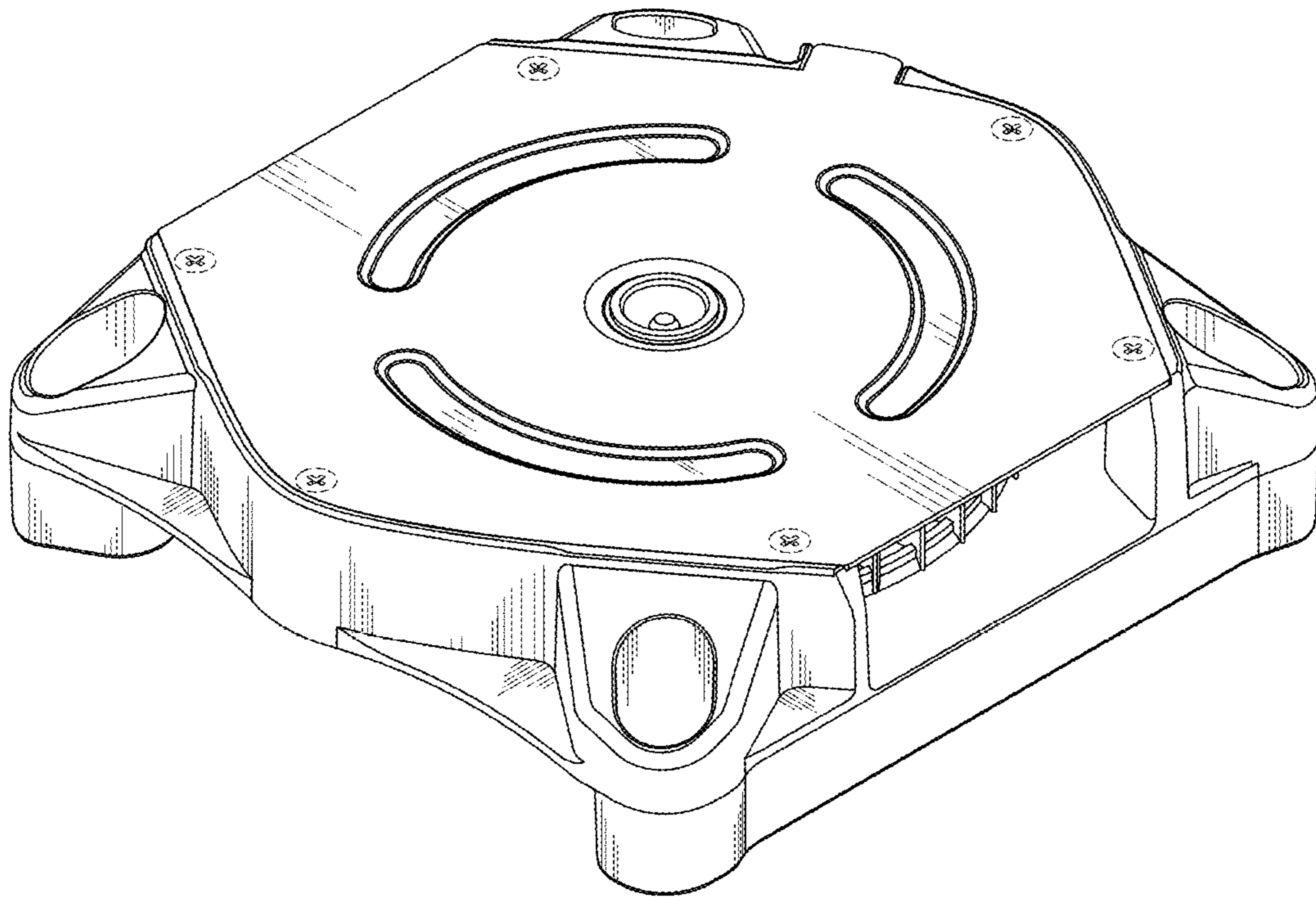
U.S. PATENT DOCUMENTS

2008/0069686 A1\* 3/2008 Masaki ..... F04D 25/06  
415/121.2  
2008/0089027 A1\* 4/2008 Ying ..... H01L 23/467  
361/695  
2010/0155029 A1\* 6/2010 Ma ..... H01L 23/4006  
165/80.2  
2012/0026688 A1\* 2/2012 Takemoto ..... F04D 29/582  
361/695  
2016/0131160 A1\* 5/2016 Bai ..... F04D 25/12  
417/423.14

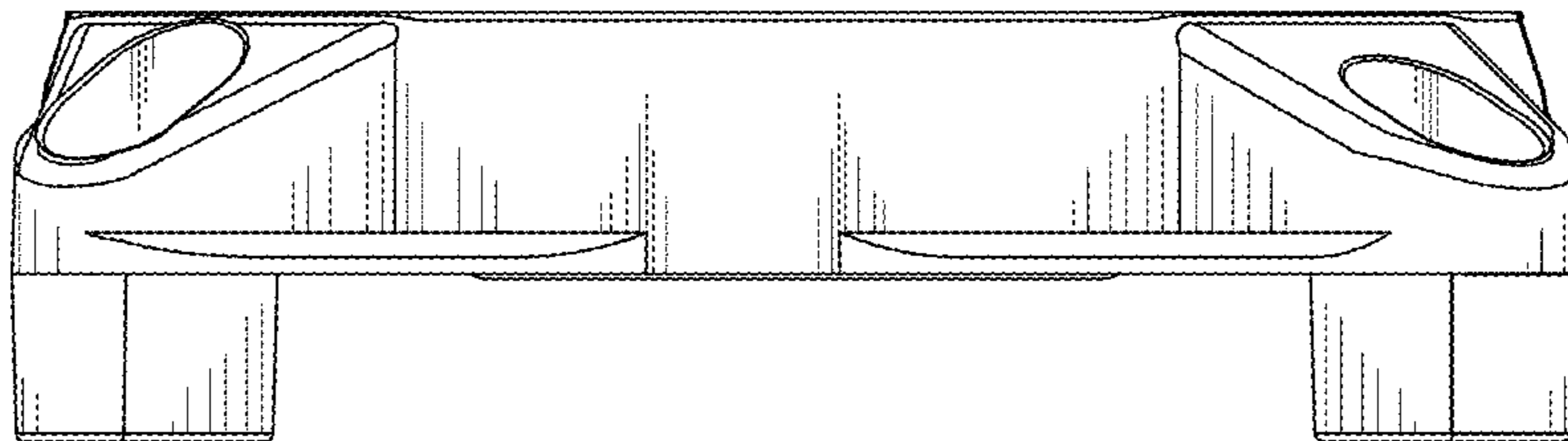
OTHER PUBLICATIONS

NewEgg | Components | Fans & PC Cooling | CPU Fans & Heatsinks | Dynatron A48G 70mm 2 Ball CPU Cooler, posted on Oct. 15, 2006, © 2000-2016 Newegg Inc. [online], [site visited Sep. 9, 2016]. Available from Internet, <URL: [http://www.yoytec.com/index.php?manufacturers\\_id=79&osCsid=76dd389721ea757c7b82131100caf135](http://www.yoytec.com/index.php?manufacturers_id=79&osCsid=76dd389721ea757c7b82131100caf135)>.\*  
Yoytec, posted on Oct. 9, 2008, © 2004-2016 Yoytec Computer Panama [online], [site visited Sep. 9, 2016]. Available from Internet, <URL: [http://www.yoytec.com/index.php?manufacturers\\_id=79&osCsid=76dd389721ea757c7b82131100caf135](http://www.yoytec.com/index.php?manufacturers_id=79&osCsid=76dd389721ea757c7b82131100caf135)>.\*

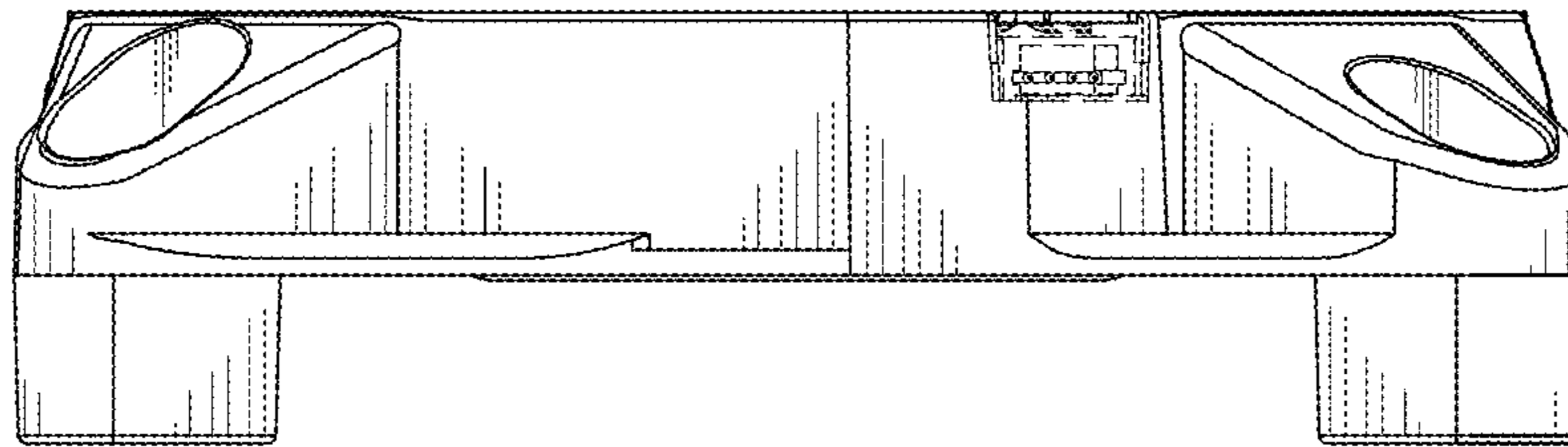
\* cited by examiner



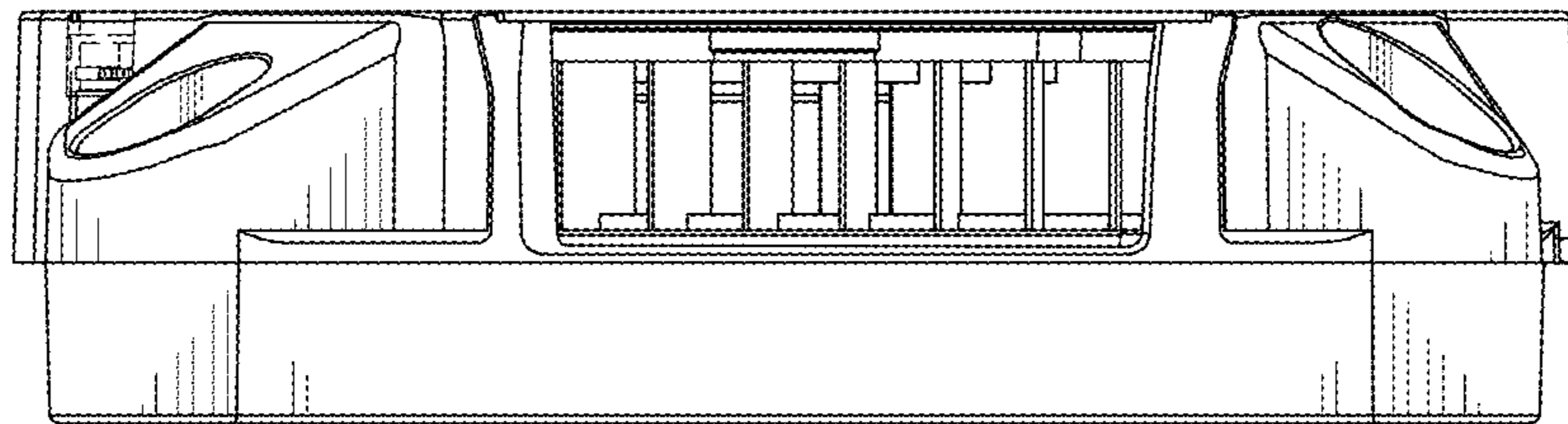
**FIG. 1**



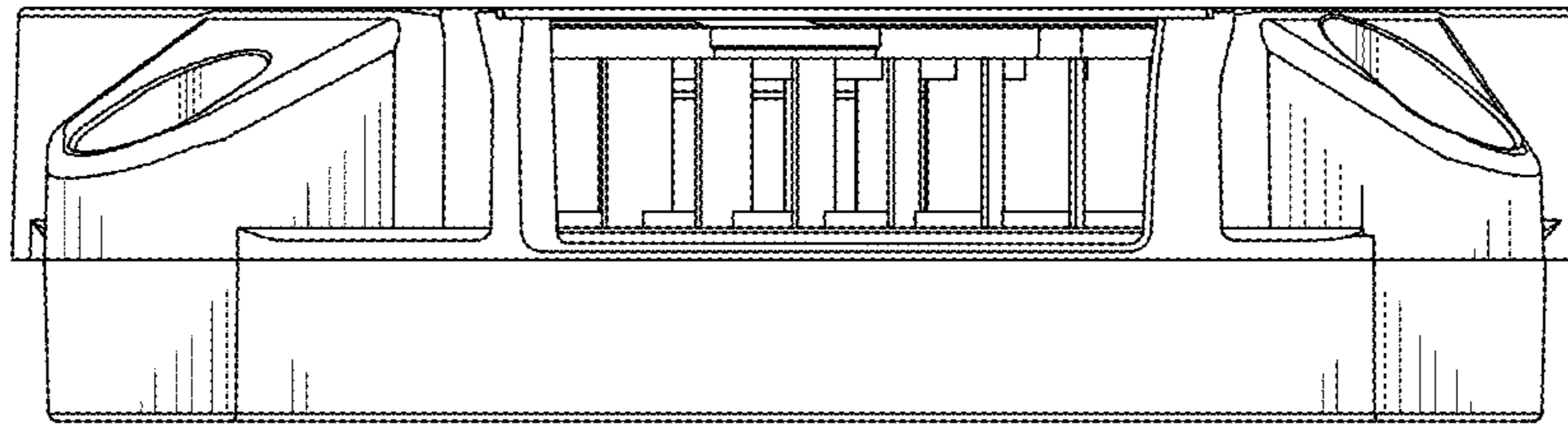
**FIG. 2**



**FIG. 3**



**FIG. 4**



**FIG. 5**

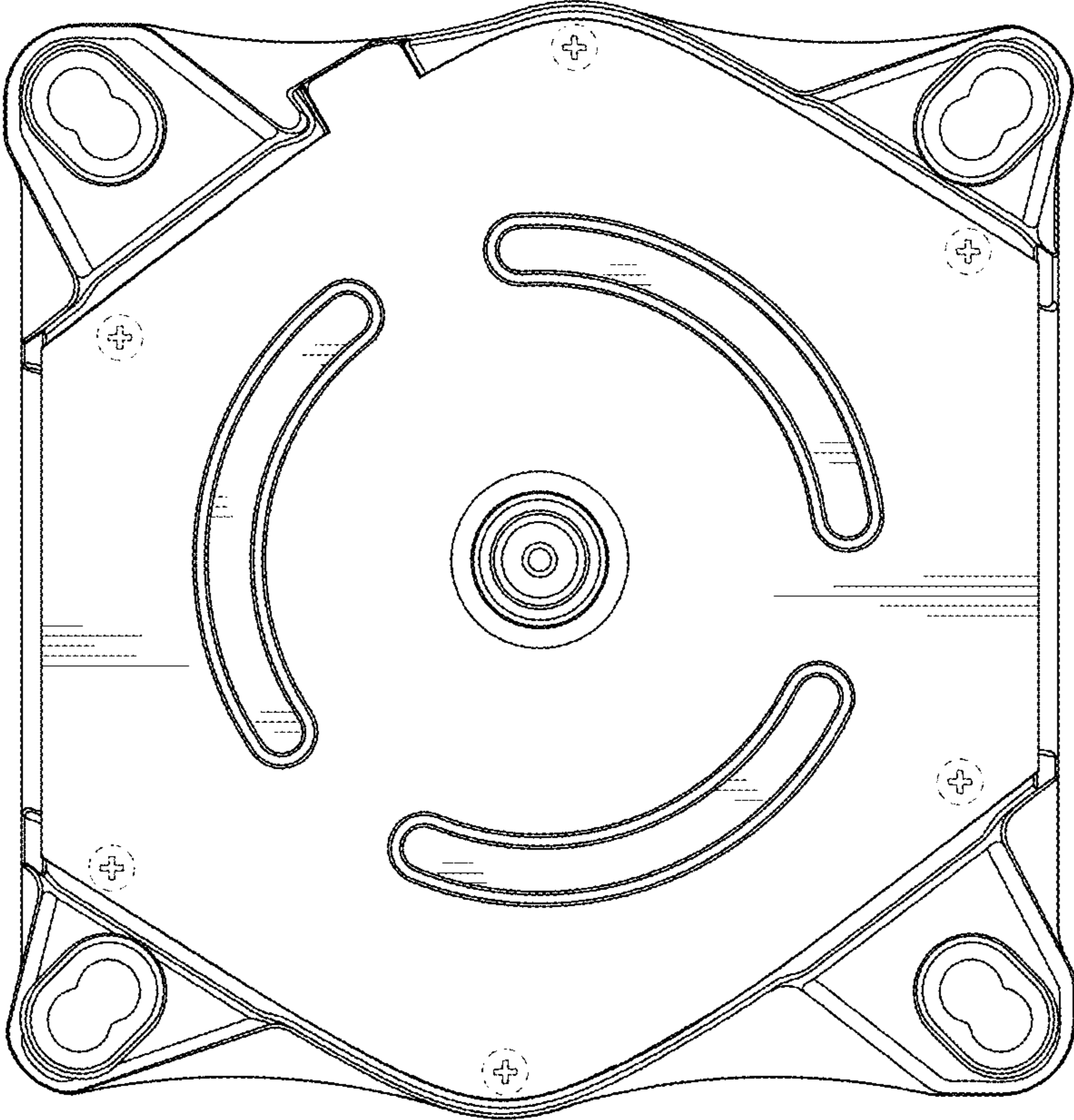
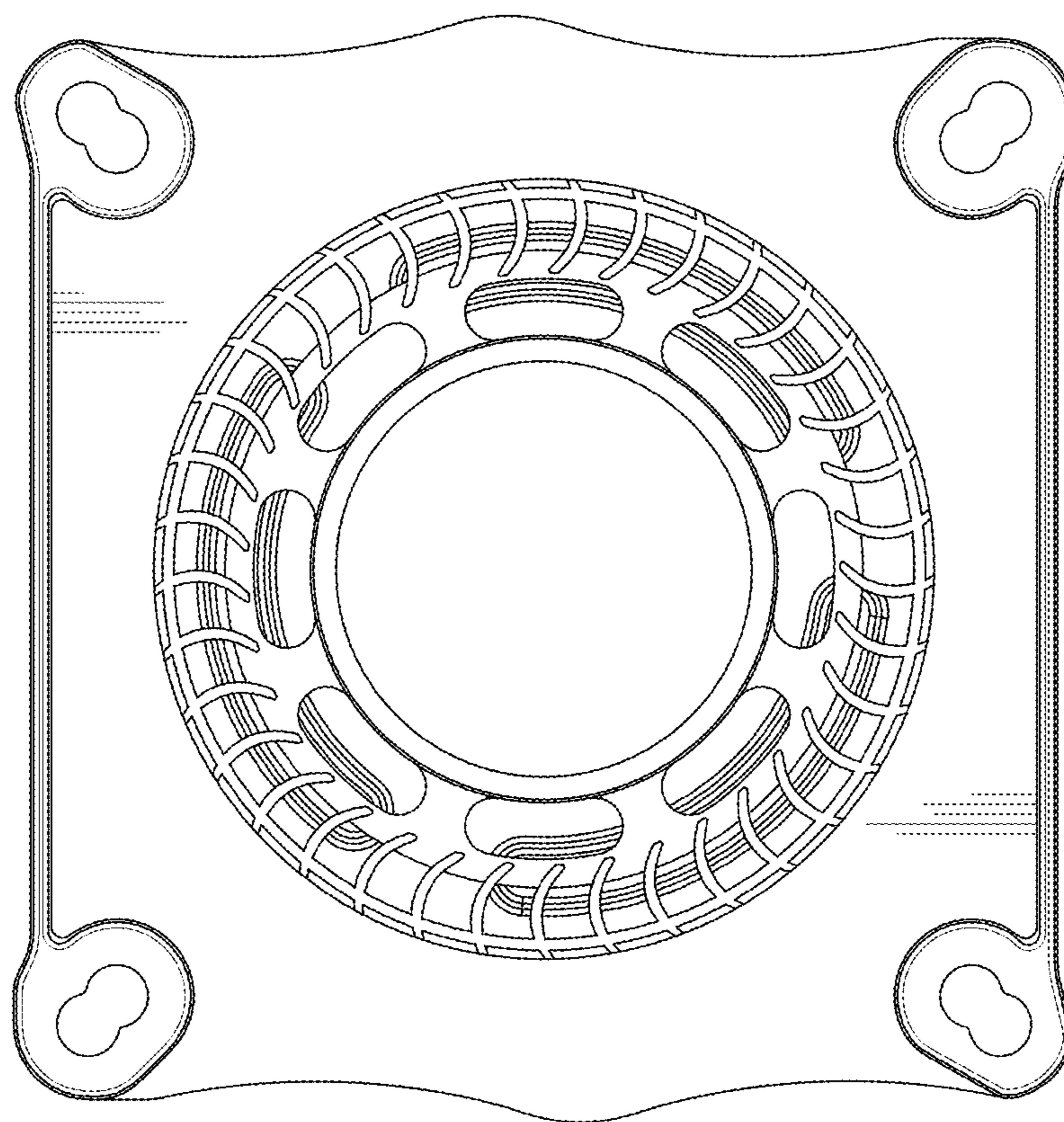


FIG. 6





**FIG. 7**