



US00D780899S

(12) **United States Design Patent**
Hsiao et al.

(10) **Patent No.:** **US D780,899 S**
(45) **Date of Patent:** **** Mar. 7, 2017**

(54) **PORTABLE THERMOREGULATOR**

(71) Applicant: **MOAI ELECTRONICS CORPORATION**, Hsinchu (TW)

(72) Inventors: **Ching-Chung Hsiao**, Hsinchu (TW); **Yi-Yang Lin**, Hsinchu (TW); **Yu-Te Chou**, Hsinchu (TW); **Yen-Tao Liu**, Hsinchu (TW); **Cheng-Wei Ho**, Hsinchu (TW); **Zheng-Yu Liao**, Hsinchu (TW)

(73) Assignee: **MOAI ELECTRONICS CORPORATION**, Hsinchu (TW)

(**) Term: **15 Years**

(21) Appl. No.: **29/547,669**

(22) Filed: **Dec. 7, 2015**

(30) **Foreign Application Priority Data**

Nov. 11, 2015 (TW) 104306273

(51) **LOC (10) Cl.** **23-04**

(52) **U.S. Cl.**
USPC **D23/333**

(58) **Field of Classification Search**
USPC D23/333, 335, 341, 342, 351, 353, 354, D23/355, 356, 359, 364, 365, 370, 385, D23/386, 388, 393; D14/205; D24/206
CPC F24F 1/00; F24F 1/0007; F24F 1/02; F24F 1/08; F24F 1/42; F24F 1/56; F24F 1/60; F24F 3/044; F24F 3/048; F24F 3/16; F24F 7/00; F24F 7/04; F24F 12/001; F24F 12/006

See application file for complete search history.

(56) **References Cited**

U.S. PATENT DOCUMENTS

5,802,865 A * 9/1998 Strauss A41D 13/0025
62/259.3
D405,449 S * 2/1999 Nakamura D14/205

D455,481 S * 4/2002 Christianson D23/351
D457,945 S * 5/2002 Pinchuk D23/351
D676,139 S * 2/2013 Golzari D24/206
D738,995 S * 9/2015 Shapiro D23/351
D740,784 S * 10/2015 O'Polka D14/204

(Continued)

Primary Examiner — George D. Kirschbaum

Assistant Examiner — Natasha Vujcic

(74) *Attorney, Agent, or Firm* — Amin, Turocy & Watson LLP

(57) **CLAIM**

The ornamental design for a portable thermoregulator, as shown and described.

DESCRIPTION

FIG. 1 is a perspective view of a portable thermoregulator according to the claimed design;

FIG. 2 is a front view thereof;

FIG. 3 is a rear view thereof;

FIG. 4 is a left side view thereof;

FIG. 5 is a right side view thereof;

FIG. 6 is a top view thereof;

FIG. 7 is a bottom view thereof;

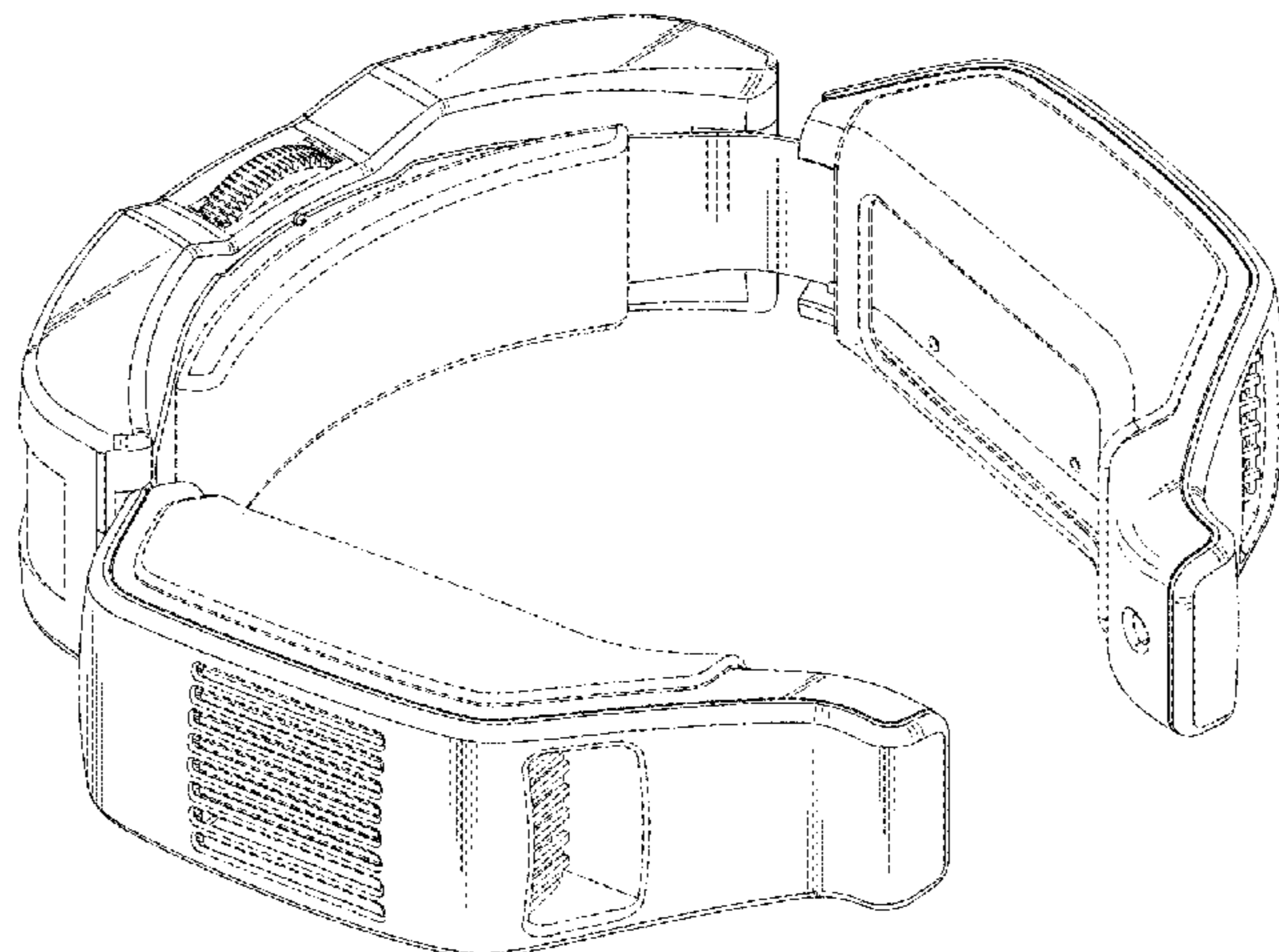
FIG. 8 is another perspective view thereof; and,

FIG. 9 is another perspective view showing a person wearing the portable thermoregulator according to the claimed design.

The broken-line disclosure in the views is understood to represent portions of the article in which the claimed design is embodied, but which form no part of the claimed design.

The broken lines in the drawings that define the bounds of the claimed design form no part of the claimed design.

1 Claim, 9 Drawing Sheets



(56)

References Cited

U.S. PATENT DOCUMENTS

D747,810 S * 1/2016 Bangser D24/206

* cited by examiner

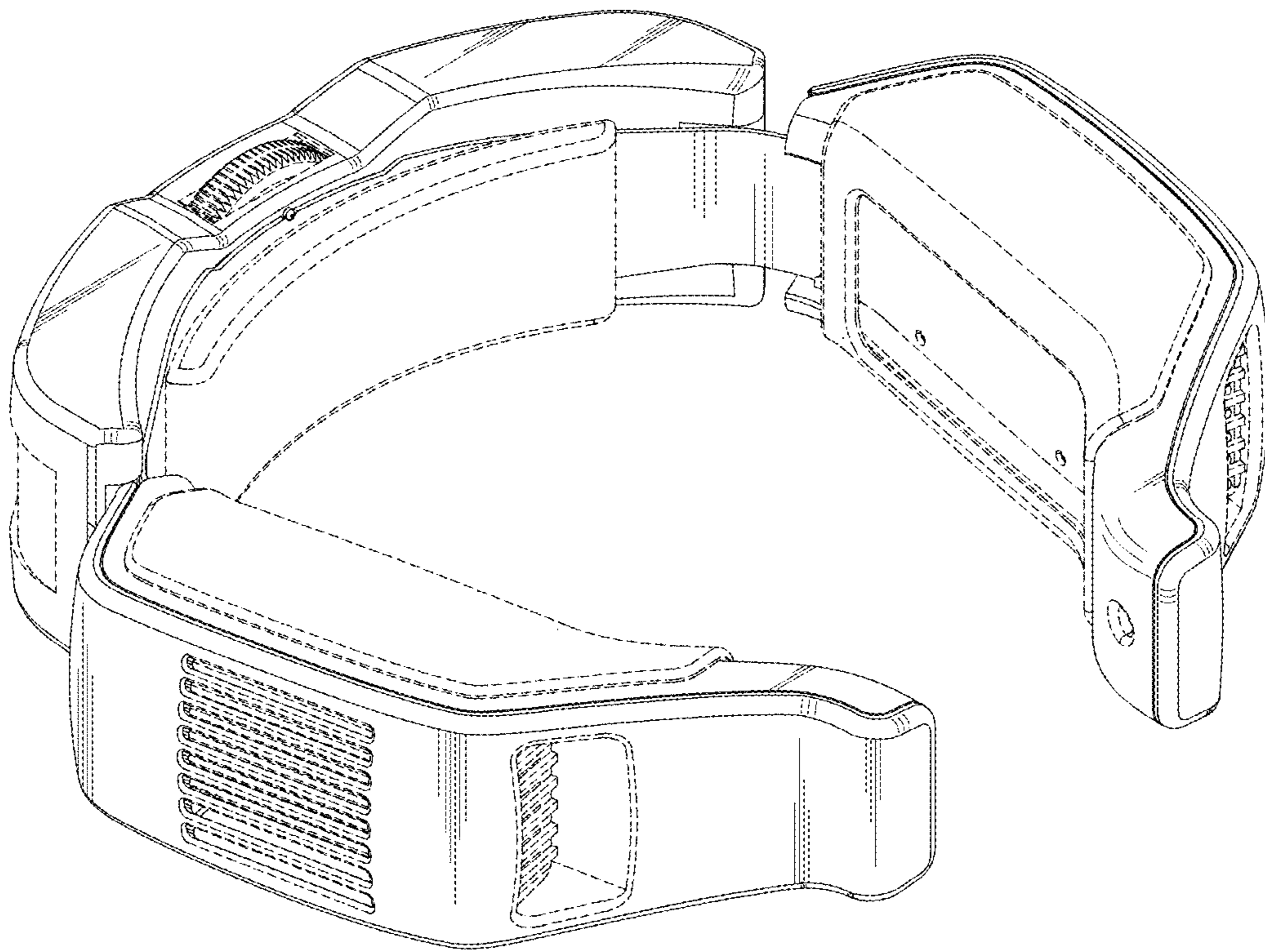


FIG. 1

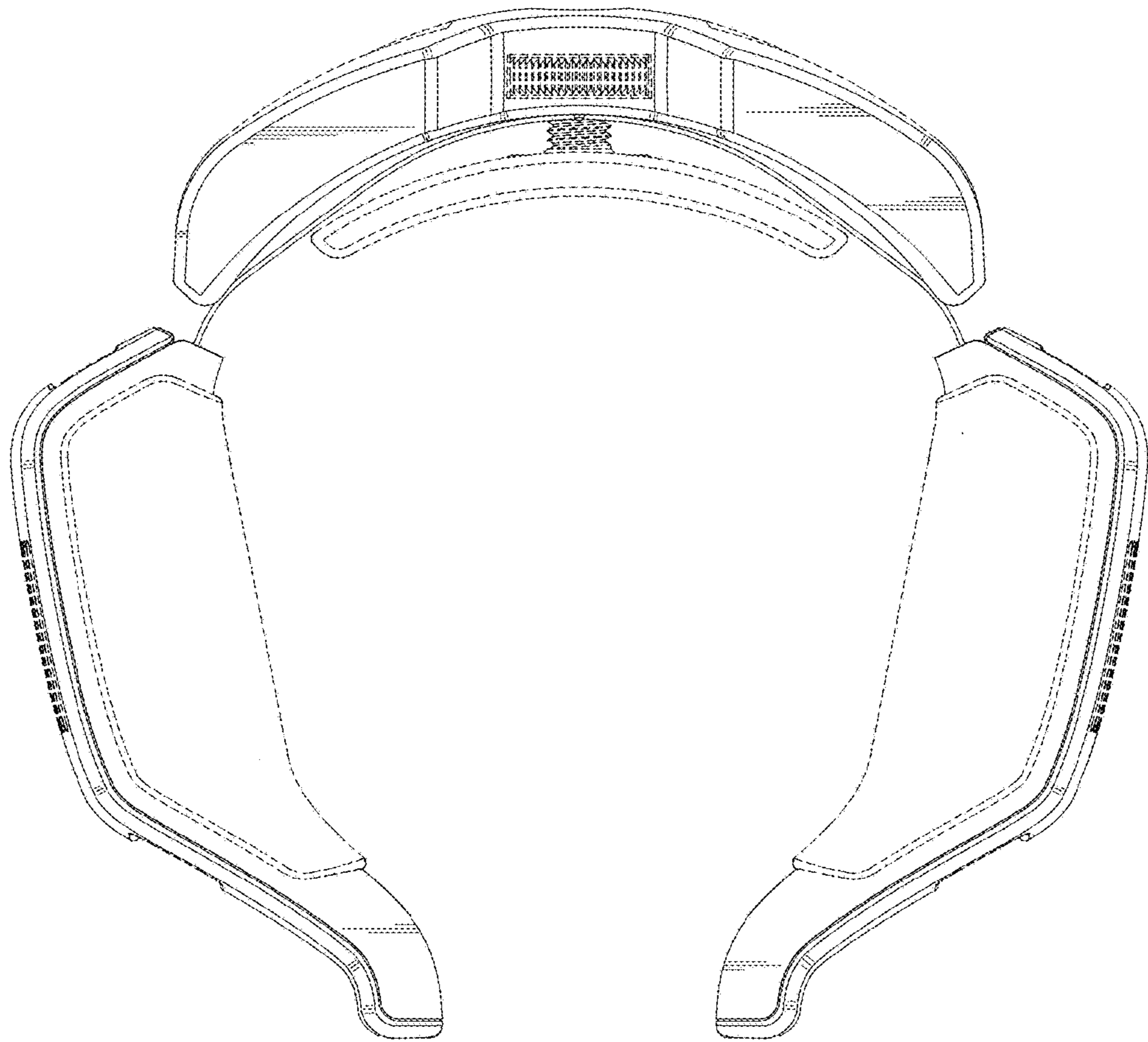


FIG. 2

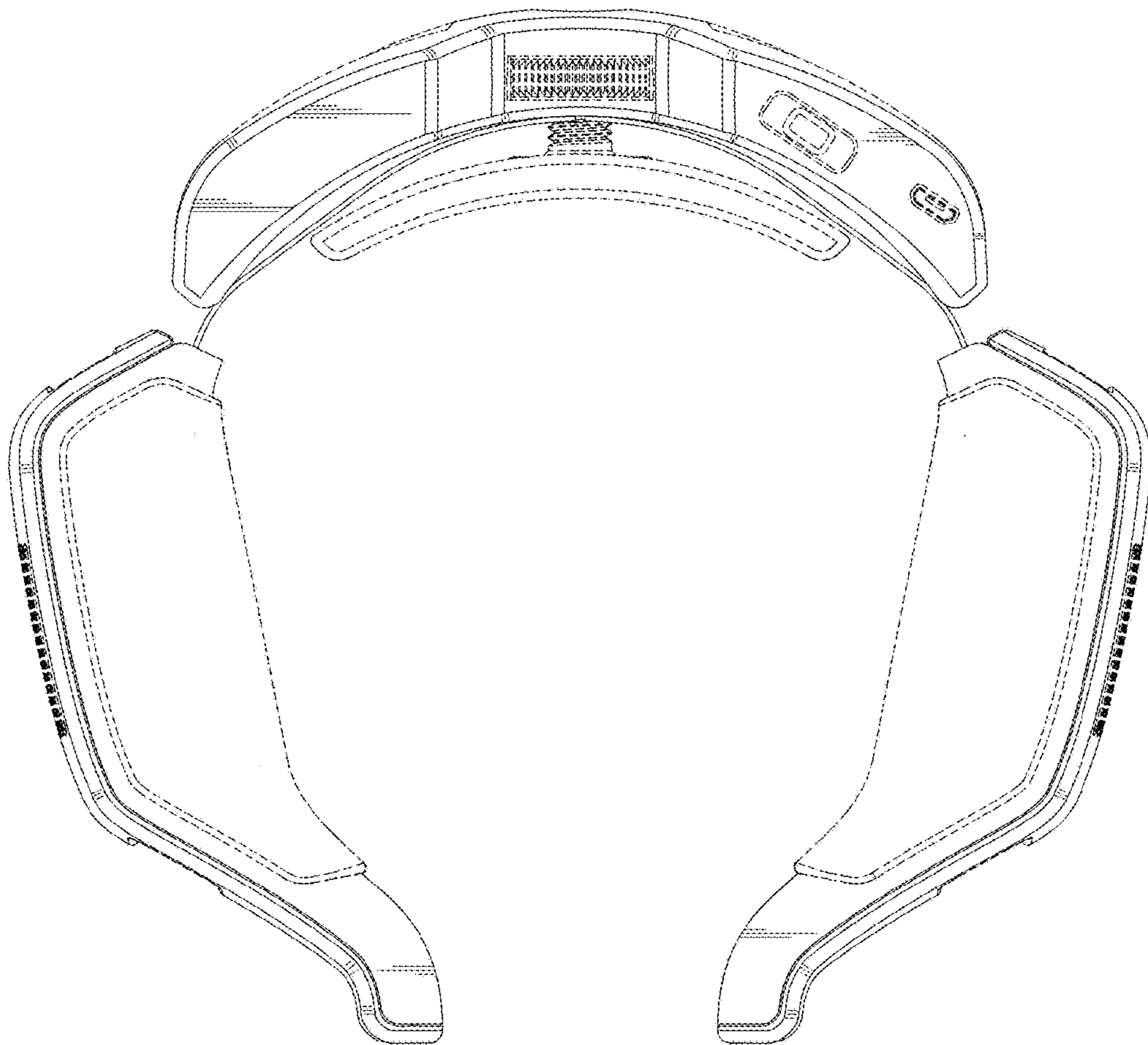


FIG. 3

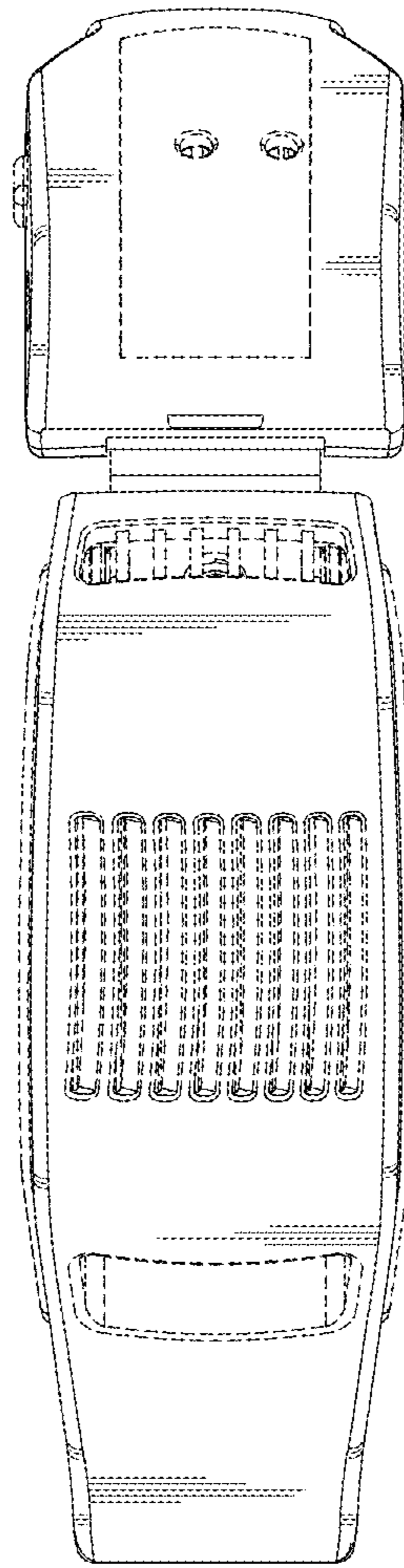


FIG. 4

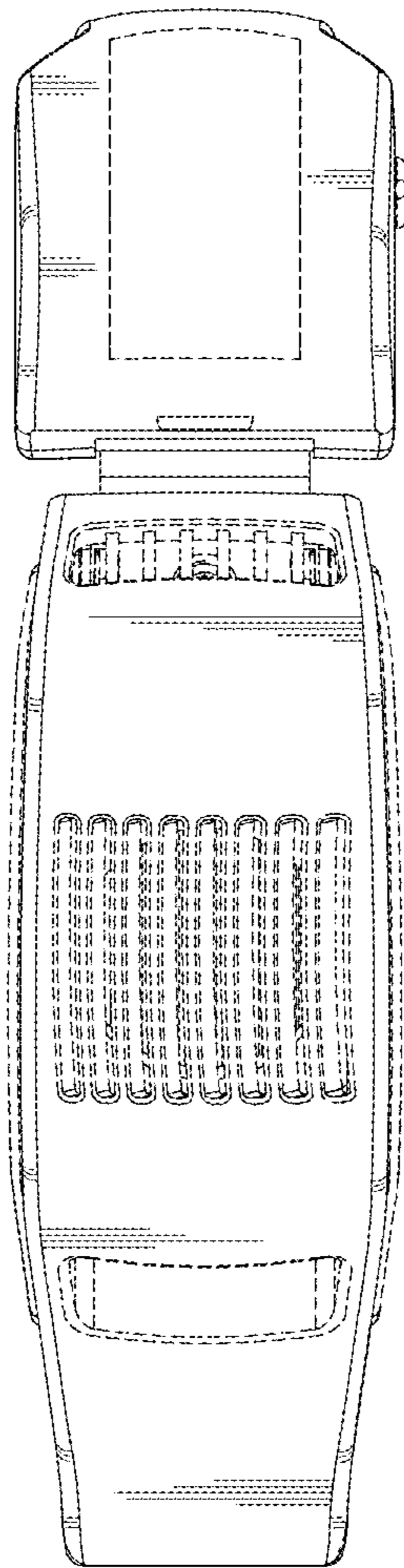


FIG. 5

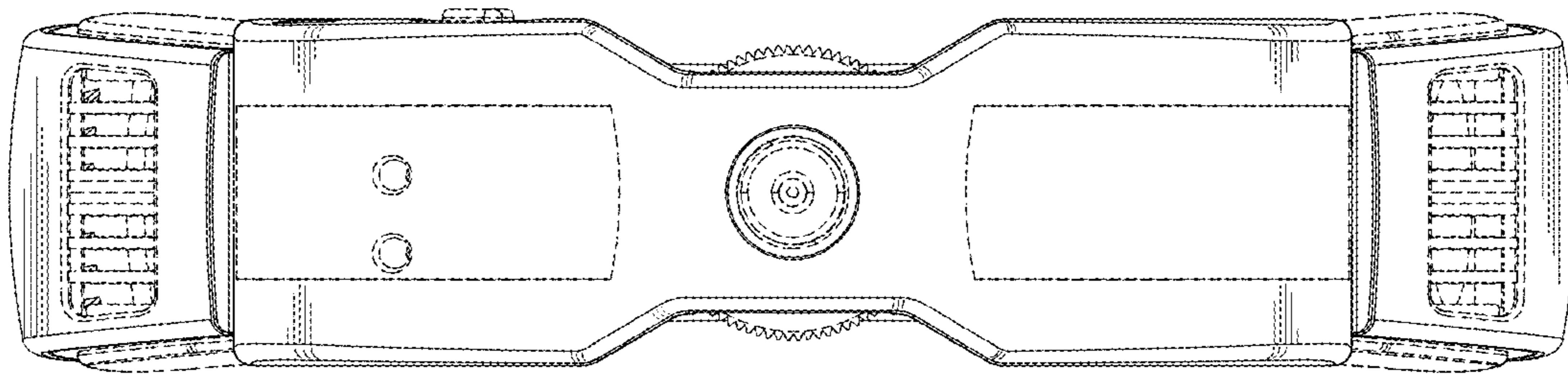


FIG. 6

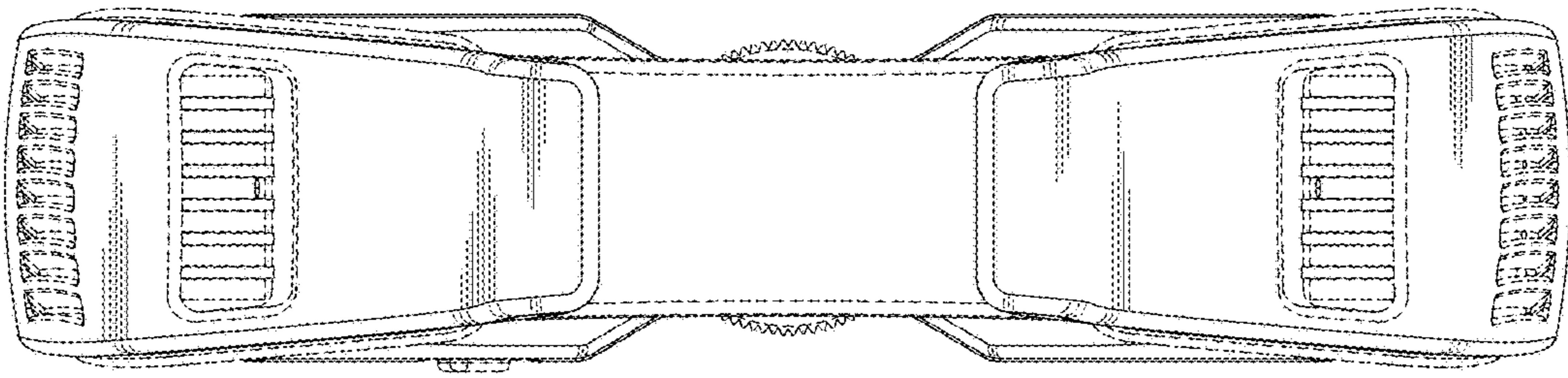


FIG. 7

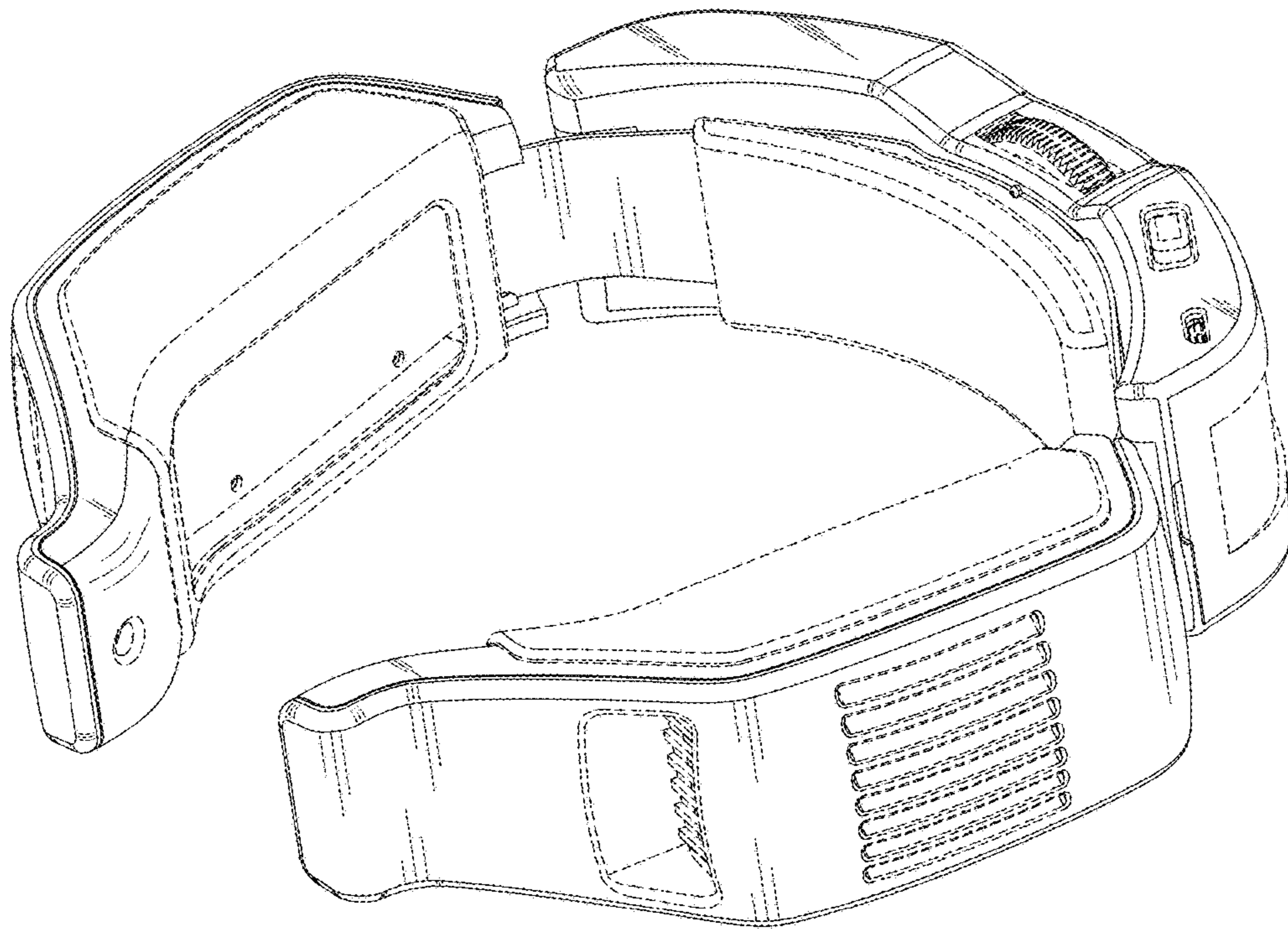


FIG. 8

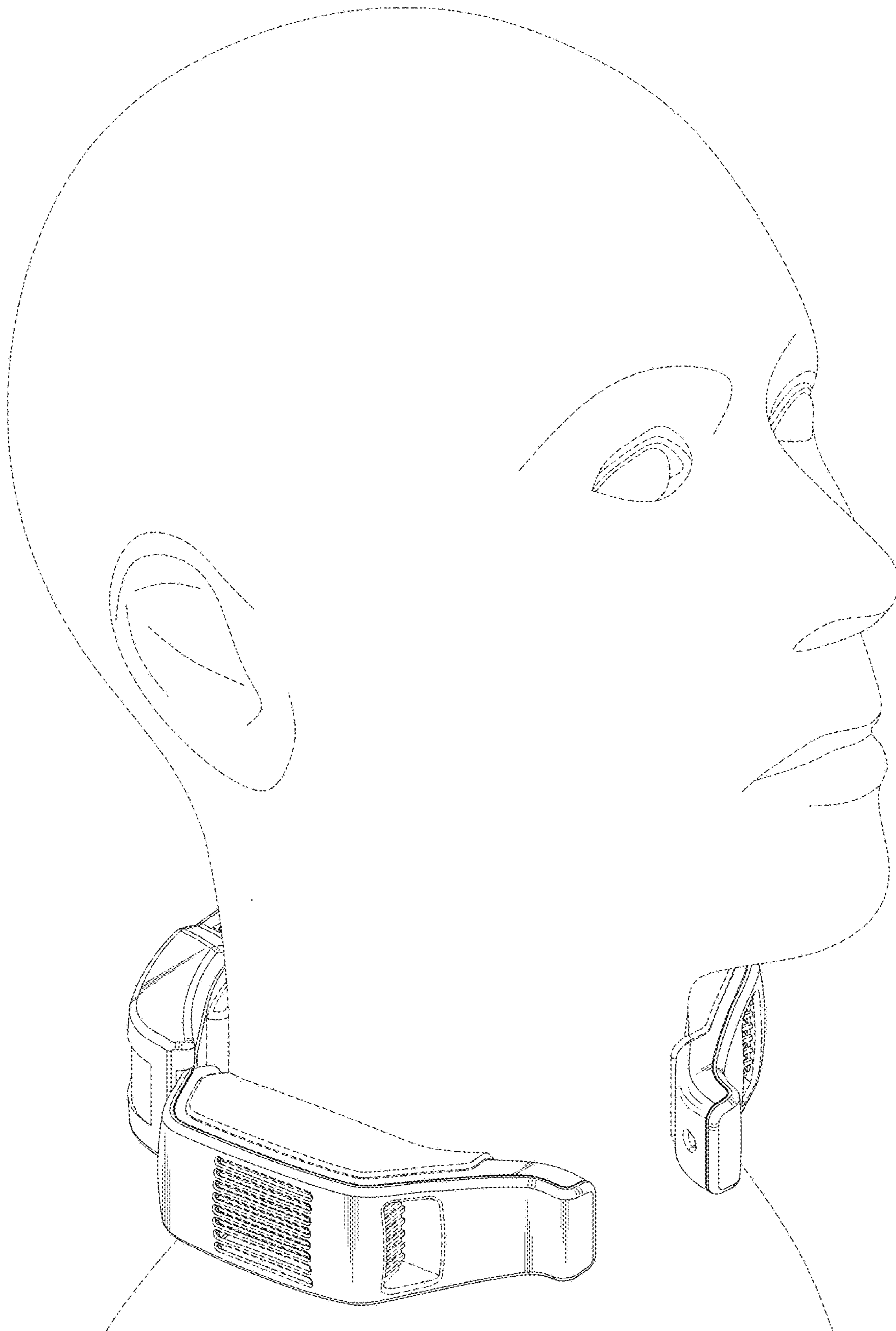


FIG. 9