



US00D780898S

(12) **United States Design Patent** (10) **Patent No.:** **US D780,898 S**  
**Canipe et al.** (45) **Date of Patent:** **\*\* Mar. 7, 2017**

(54) **MOBILE COOLING DEVICE**

FOREIGN PATENT DOCUMENTS

(71) Applicant: **Breezer Holdings, LLC**, Deerfield Beach, FL (US)

DE 202006020126 U1 12/2007  
WO 9835104 A1 8/1998  
WO WO0069569 A1 11/2000

(72) Inventors: **Larry Canipe**, Boca Raton, FL (US);  
**Dale W. Raymond**, Boca Raton, FL (US)

OTHER PUBLICATIONS

(73) Assignee: **Breezer Holdings, LLC**, Deerfield Beach, FL (US)

Breezer Holdings Mobile Misting Fan: I-21. mobilemistinglv.com. [online image] 1 page. Uploaded Jul. 2013 [retrieved on Jan. 5, 2016]. Retrieved from Internet: <http://www.mobilemistinglv.com/photos-of-events/> Image URL: <http://www.mobilemistinglv.com/wp-content/uploads/2013/07/I-21.jpg>.\*

(\*\*) Term: **14 Years**

(Continued)

(21) Appl. No.: **29/518,517**

(22) Filed: **Feb. 24, 2015**

*Primary Examiner* — Susan Bennett Hattan

*Assistant Examiner* — Marie Fast Horse

(74) *Attorney, Agent, or Firm* — Faegre Baker Daniels LLP

**Related U.S. Application Data**

(63) Continuation-in-part of application No. 13/822,262, filed as application No. PCT/US2012/047543 on Jul. 20, 2012, now Pat. No. 8,985,557.

(57) **CLAIM**

The ornamental design for mobile cooling device, as shown and described.

(51) **LOC (10) Cl.** ..... **23-04**

(52) **U.S. Cl.**  
USPC ..... **D23/333; D23/328; D23/370**

**DESCRIPTION**

(58) **Field of Classification Search**  
USPC ..... D23/370, 378, 386, 395, 411, 499, 314, D23/317, 330, 332, 333, 335, 337, 351, D23/354, 360, 200, 213, 225; D32/21, 22  
CPC ..... F24F 1/025; F24F 5/0035; F24F 6/04; F24F 2006/008; F28D 5/00; F02M 37/00  
See application file for complete search history.

FIG. 1 is a rear perspective view of mobile cooling device; FIG. 2 is a front perspective view thereof; FIG. 3 is a front view thereof; FIG. 4 is a rear view thereof; FIG. 5 is a right side view thereof; FIG. 6 is a left side view thereof; FIG. 7 is a top view thereof; FIG. 8 is a bottom view thereof; FIG. 9 is a partial front perspective view with a cover of mobile cooling device removed; FIG. 10 is a partial rear perspective view thereof; and, FIG. 11 is a partial front perspective view thereof. The portions of the device shown in broken lines form no part of the claimed design.

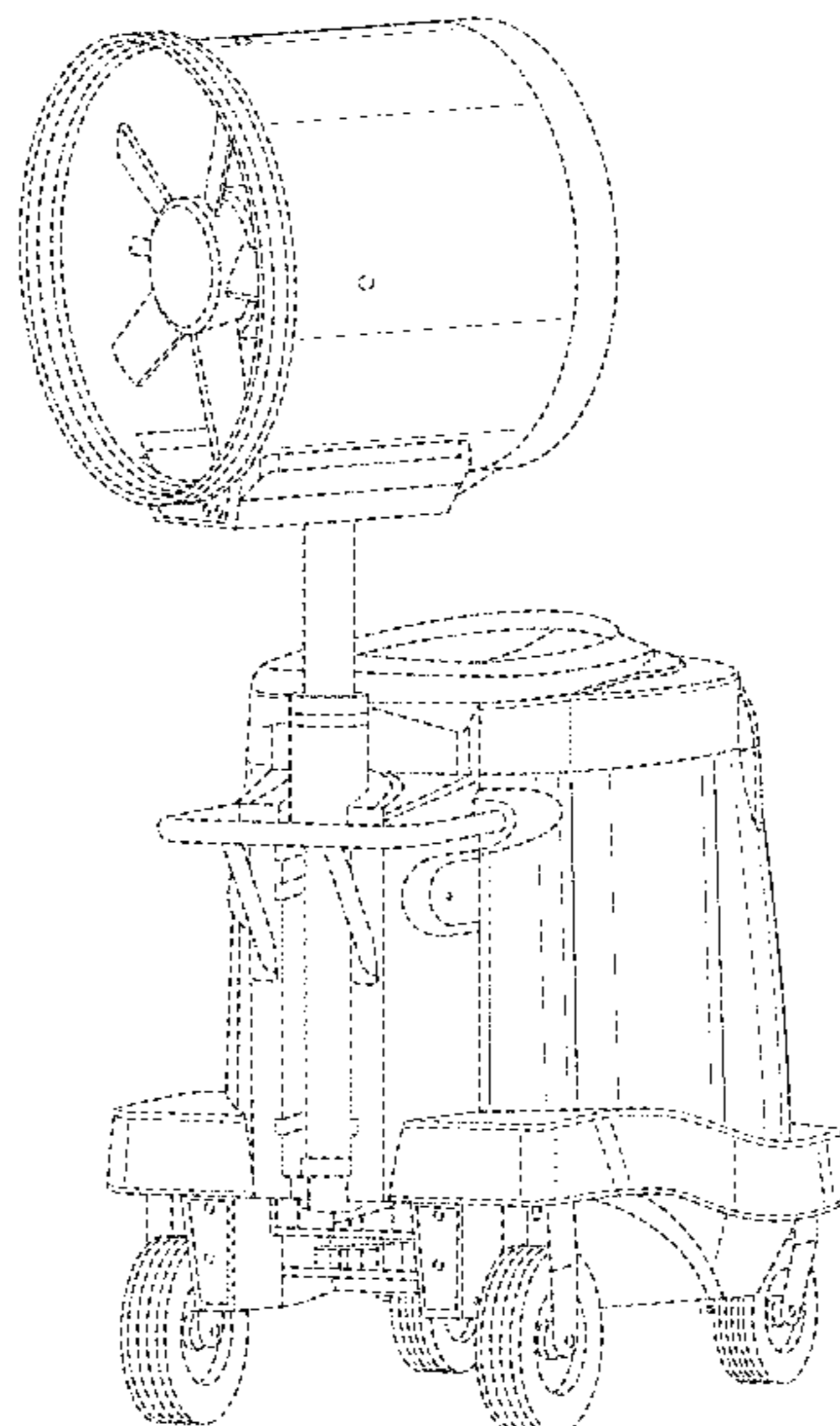
(56) **References Cited**

U.S. PATENT DOCUMENTS

2,079,117 A 5/1937 Hays  
2,238,120 A 4/1941 Launder  
2,551,789 A 5/1951 Copley  
2,571,069 A 10/1951 Shearman

(Continued)

**1 Claim, 11 Drawing Sheets**



(56)

References Cited

U.S. PATENT DOCUMENTS

2,576,976 A 12/1951 Stagner  
 2,608,792 A 9/1952 Chater  
 2,635,920 A 4/1953 Boyce  
 2,973,121 A 2/1961 Banker  
 3,446,424 A 5/1969 Wolford  
 4,004,732 A 1/1977 Hanson  
 D253,908 S \* 1/1980 Holder, Jr. .... D23/370  
 4,223,836 A 9/1980 Eager  
 4,593,854 A 6/1986 Albertsson  
 4,597,524 A 7/1986 Albertsson  
 4,657,712 A 4/1987 Milbocker  
 5,299,737 A 4/1994 McGinnis et al.  
 5,447,663 A 9/1995 Dix et al.  
 5,606,868 A 3/1997 Calvert  
 D381,779 S \* 7/1997 Pritchett ..... D32/22  
 5,836,513 A 11/1998 Smith et al.  
 5,890,258 A 4/1999 Lee  
 D412,199 S 7/1999 Louis  
 5,956,964 A 9/1999 Wright  
 5,961,044 A 10/1999 Dalbec et al.  
 D416,073 S \* 11/1999 Louis ..... D23/213  
 6,017,188 A 1/2000 Benton  
 D420,473 S 2/2000 Shero et al.  
 6,086,053 A 7/2000 Natschke et al.  
 6,182,463 B1 2/2001 Strussion et al.  
 6,212,897 B1 4/2001 Wang  
 6,237,896 B1 5/2001 Hicks et al.  
 6,325,362 B1 12/2001 Massey et al.  
 6,425,958 B1 7/2002 Giddings et al.  
 6,503,063 B1 1/2003 Brunsell  
 6,691,926 B1 2/2004 Moen  
 D491,656 S 6/2004 Gao  
 6,742,718 B2 6/2004 Doeblner et al.  
 6,789,787 B2 9/2004 Stutt  
 7,021,894 B2 4/2006 Lopatinsky et al.  
 D528,254 S \* 9/2006 Michael ..... D32/21  
 D528,718 S \* 9/2006 Tomasiak ..... D32/21  
 7,395,676 B2 7/2008 White  
 D576,703 S \* 9/2008 Nathan ..... D23/225  
 D577,426 S \* 9/2008 Huang ..... D23/360  
 D587,868 S \* 3/2009 DiPasquale ..... D32/21  
 7,533,435 B2 \* 5/2009 Pedlar ..... B08B 3/026  
 15/320  
 7,547,364 B2 6/2009 Polak  
 D623,365 S \* 9/2010 Ediger ..... D32/17  
 D652,185 S \* 1/2012 Mu ..... D32/21  
 D668,750 S \* 10/2012 Renfrew ..... D23/364  
 D676,205 S \* 2/2013 Theising ..... D32/21  
 D684,250 S \* 6/2013 Hubert ..... D23/356  
 8,631,665 B1 1/2014 DeClementi  
 D718,504 S \* 11/2014 Carter ..... D32/21  
 D720,900 S \* 1/2015 Hickmott ..... D32/21  
 8,985,557 B2 \* 3/2015 Canipe ..... F24F 5/0035  
 261/116  
 2003/0111746 A1 \* 6/2003 Stutt ..... F24F 5/0035  
 261/116  
 2005/0109040 A1 5/2005 Hansen  
 2006/0032259 A1 2/2006 White  
 2007/0119187 A1 5/2007 Kitchens et al.  
 2010/0226753 A1 9/2010 Dyson et al.

2010/0270397 A1 \* 10/2010 Lin ..... F04D 29/705  
 239/214.25  
 2013/0219933 A1 \* 8/2013 Hubert ..... F04D 19/002  
 62/121  
 2014/0008461 A1 \* 1/2014 Shiun ..... B05B 7/0075  
 239/302  
 2014/0165639 A1 \* 6/2014 Canipe ..... F24F 5/0035  
 62/259.4  
 2015/0323205 A1 \* 11/2015 Escalettes ..... F04D 29/705  
 261/78.2

OTHER PUBLICATIONS

Breezer Holdings Mobile Misting Fan FLFP: Faith-Lutheran-Football-Player-2. mobilemistinglv.com. [online image] 1 page. Uploaded Jul. 2013 [retrieved on Jan. 5, 2016]. Retrieved from Internet: <http://www.mobilemistinglv.com/photos-of-events/> Image URL: [http://www.mobilemistinglv.com/wp-content/uploads/2013/07/Faith-Lutheran-Football-Player-2-1024x10.\\*](http://www.mobilemistinglv.com/wp-content/uploads/2013/07/Faith-Lutheran-Football-Player-2-1024x10.*)  
 Breezer Holdings Mobile Misting Fan HB: 2. mobilemistinglv.com. [online image] 1 page. Uploaded Jul. 2013 [retrieved on Jan. 5, 2016]. Retrieved from Internet: <http://www.mobilemistinglv.com/photos-of-events/> Image URL: [http://www.mobilemistinglv.com/wp-content/uploads/2013/07/2.jpg.\\*](http://www.mobilemistinglv.com/wp-content/uploads/2013/07/2.jpg.*)  
 Spraying Fans. (Design-© Questel). orbit.com [online PDF] 73 pages. Registrations range from Jan. 22, 2015 [retrieved on May 19, 2016]. Retrieved from Internet: [https://sobjprd.questel.fr/export/QPTUJ214/pdf2/2b1f7bcc-016e-4b17-9f13-1fc4744991b1-153444.pdf.\\*](https://sobjprd.questel.fr/export/QPTUJ214/pdf2/2b1f7bcc-016e-4b17-9f13-1fc4744991b1-153444.pdf.*)  
 Power-breezer-16190202236. 75outside.com (Online Image) Photo Taken Aug. 21, 2011 [retrieved on May 19, 2016]. Retrieved from Internet: [http://75outside.com/yahoo\\_site\\_admin1/assets/images/power-breezer-161.90202236\\_std.jpg.\\*](http://75outside.com/yahoo_site_admin1/assets/images/power-breezer-161.90202236_std.jpg.*)  
 Luma Comfort MF26B High Power Misting Fan. amazon.com [online] 7 pages. Available as early as Jul. 29, 2013 [retrieved on May 18, 2016]. Retrieved from Internet: . . . <<Please see W>>.\*  
 Continued From V: [http://www.amazon.com/Luma-Comfort-MF26B-Power-Misting/dp/B007SNV20Y?SubscriptionId=AKIAIN5HK5BFVBOCQQZQ&tag=xxlsalecom-20&linkCode=xm2&camp=2025&creative=165953&creativeASIN=B007SNV20Y&ascsubtag=56424b6ad06fa0.76609259.\\*](http://www.amazon.com/Luma-Comfort-MF26B-Power-Misting/dp/B007SNV20Y?SubscriptionId=AKIAIN5HK5BFVBOCQQZQ&tag=xxlsalecom-20&linkCode=xm2&camp=2025&creative=165953&creativeASIN=B007SNV20Y&ascsubtag=56424b6ad06fa0.76609259.*)  
 Aquafog Turbo RSM, copyright 1997, Jaybird Manufacturing, Inc., downloaded from <http://web.archive.org/web/19990421053744/http://www.jaybird-mfg.com/rsm.html> on Sep. 18, 2014, 2 pages. Brochure for "Mist & Cool" a Cooling System and Environmental Quality control system, 2001 (with English translation), 6 pages. European Search Report issued in EP Application No. 12815179.2, mailed Apr. 28, 2015, 6 pages.  
 International Search Report and Written Opinion issued in PCT/US2012/047543, mailed Oct. 5, 2012, 12 pages.  
 Jaybird Product Catalog Cover 1998-99, Jaybird Manufacturing, Inc, <http://www.jaybird-mfg.com>, Internet Archive Wayback Machine, Apr. 21, 1999, 2 pages.  
 Jaybird Product Catalog Cover 2007, Jaybird Manufacturing, Inc, <http://www.jaybird-mfg.com>, 3 pages, Internet Archive Wayback Machine, Apr. 21, 1999.  
 Design U.S. Appl. No. 29/523,199, filed Apr. 7, 2015.

\* cited by examiner

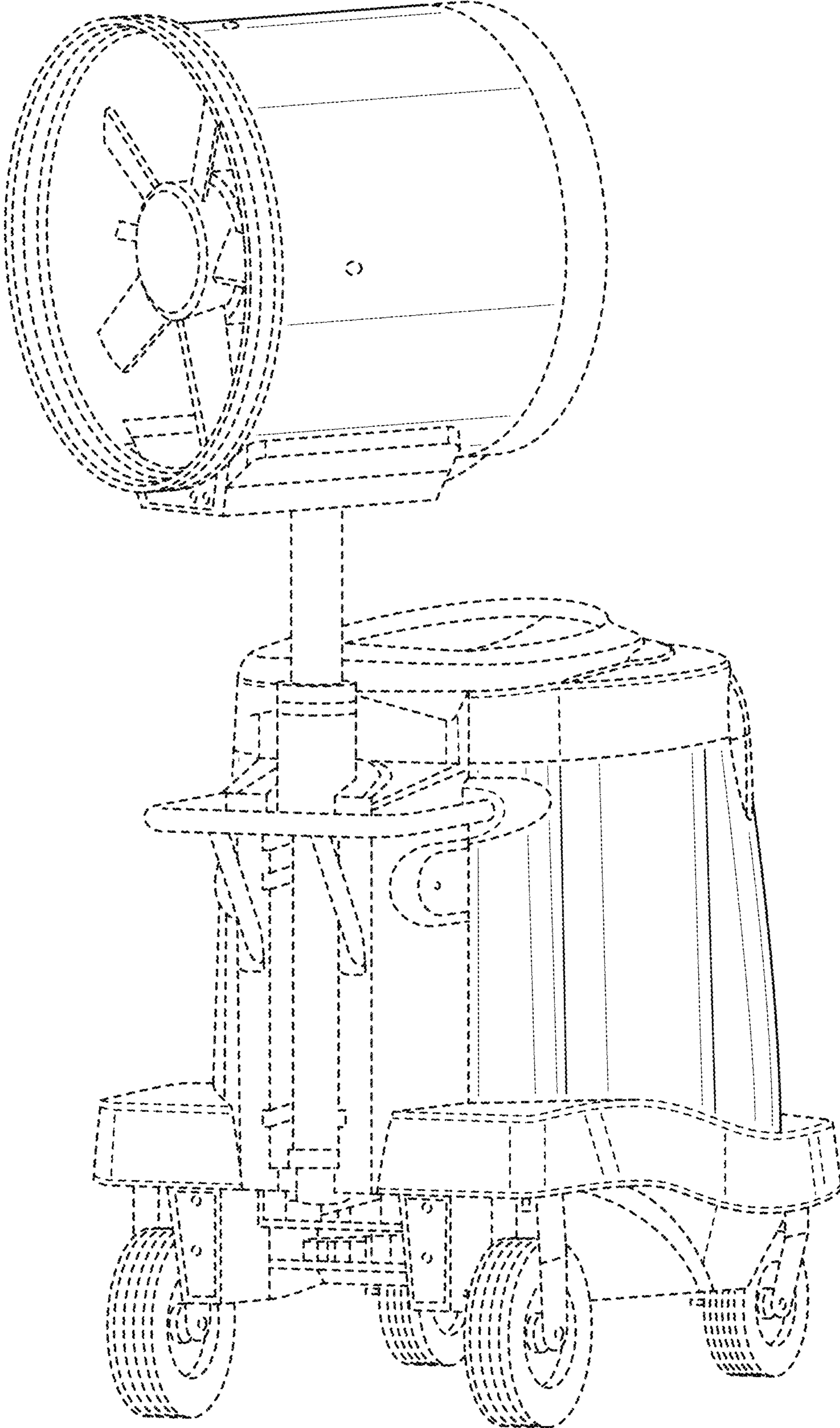


FIG. 1

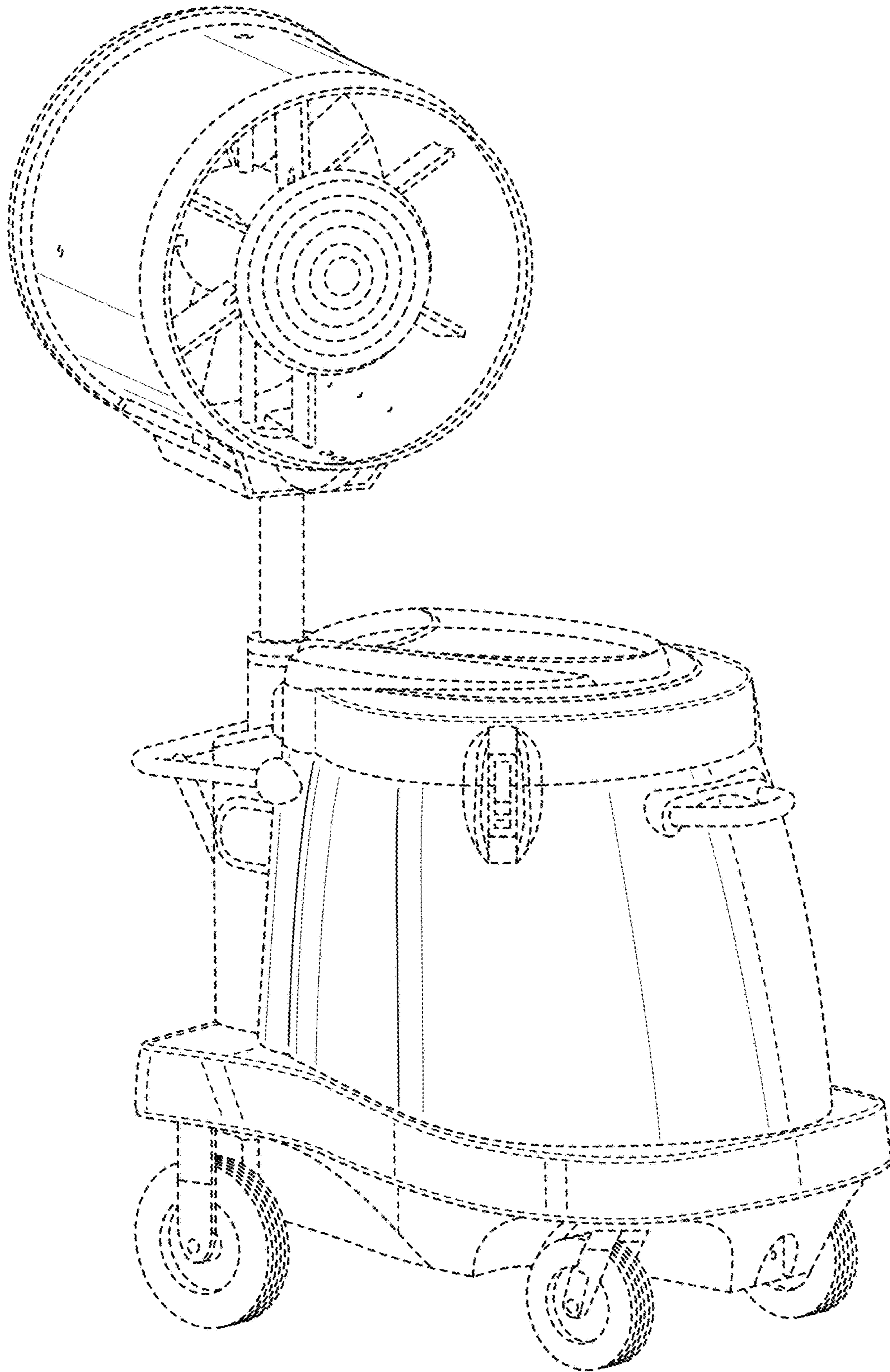


FIG. 2

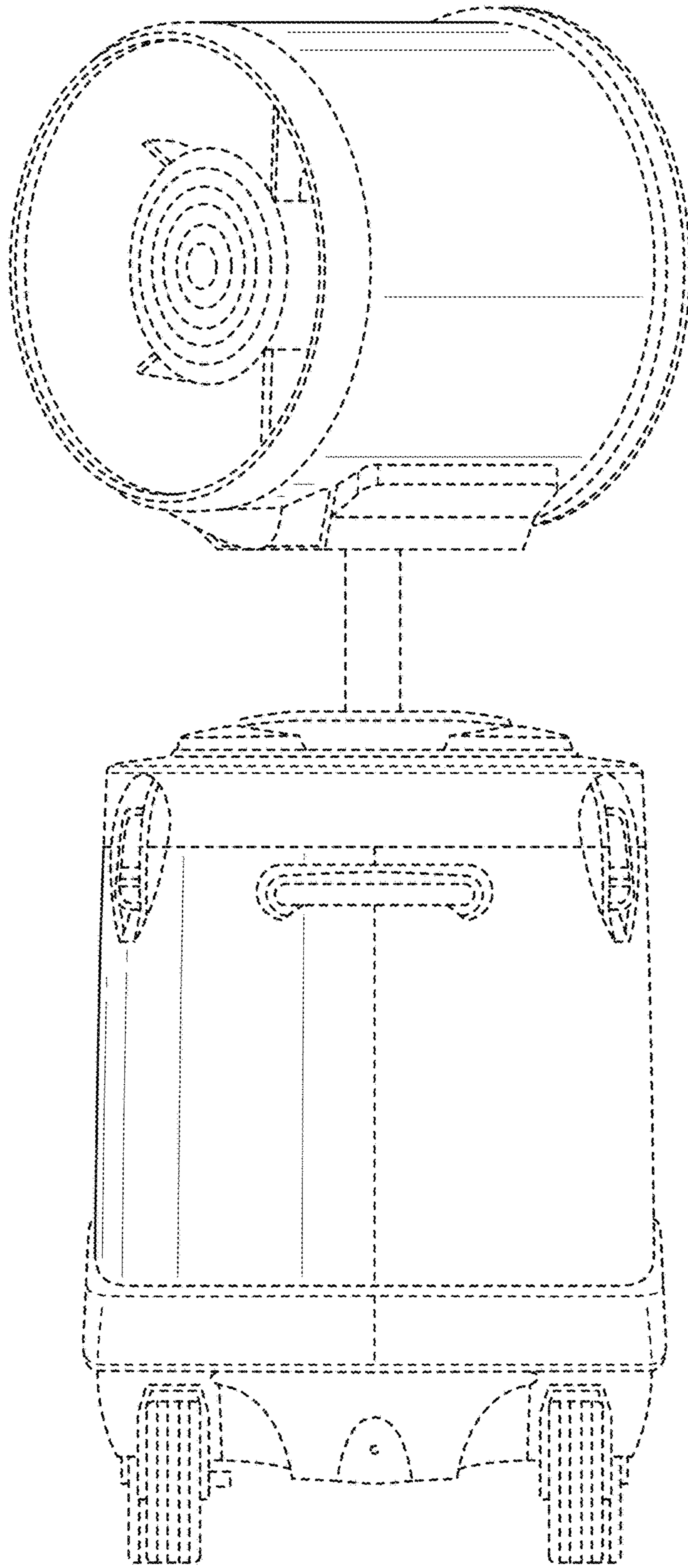


FIG. 3

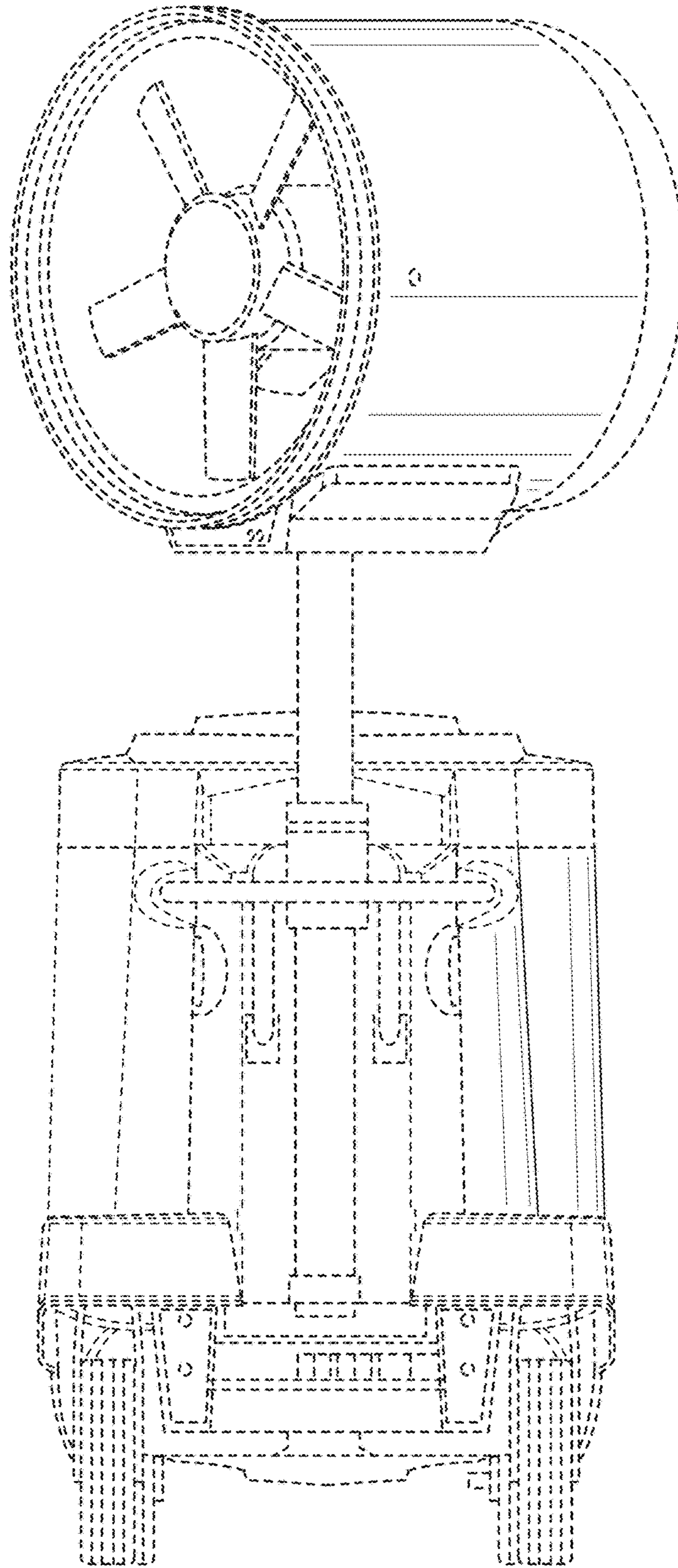


FIG. 4

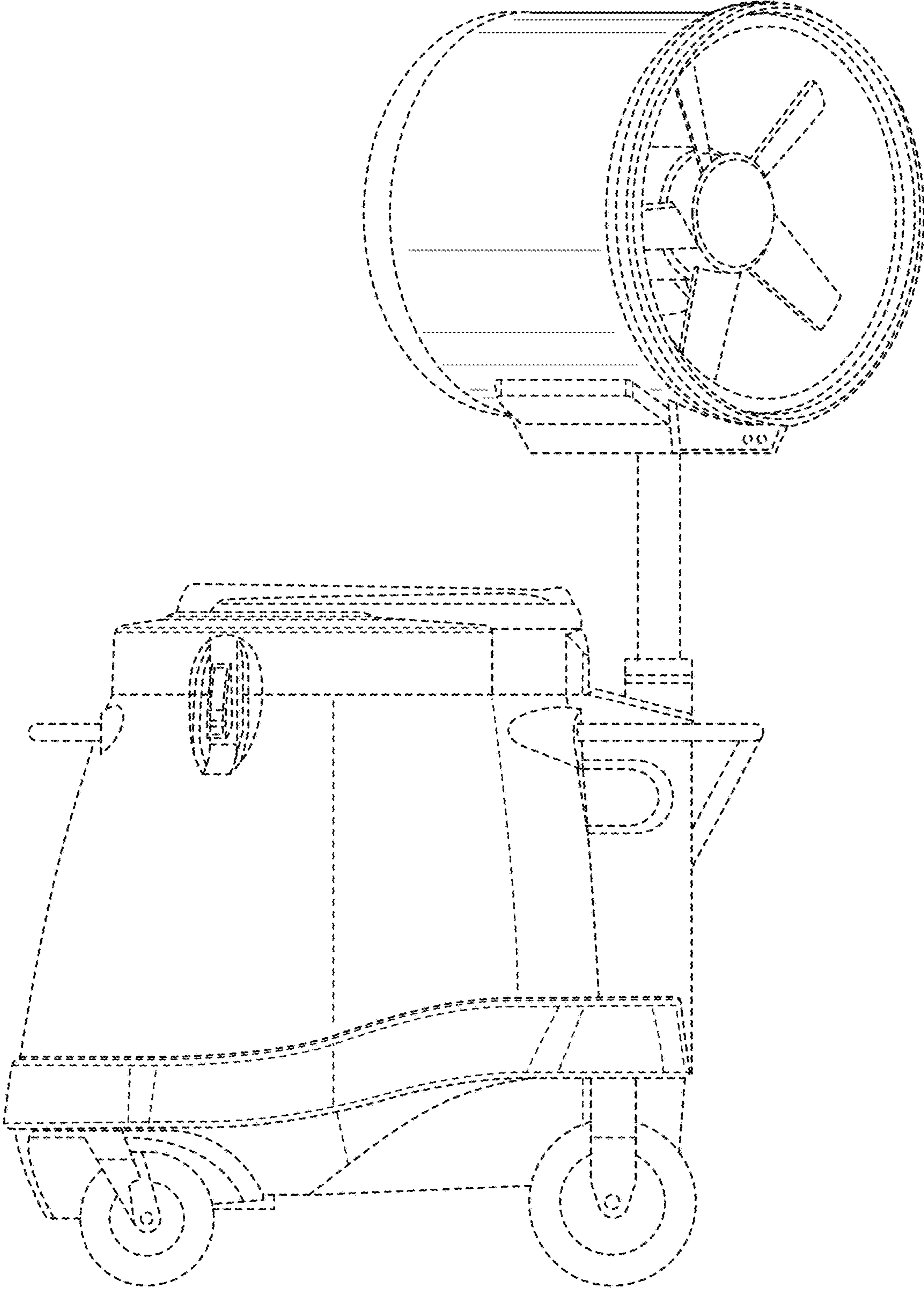


FIG. 5

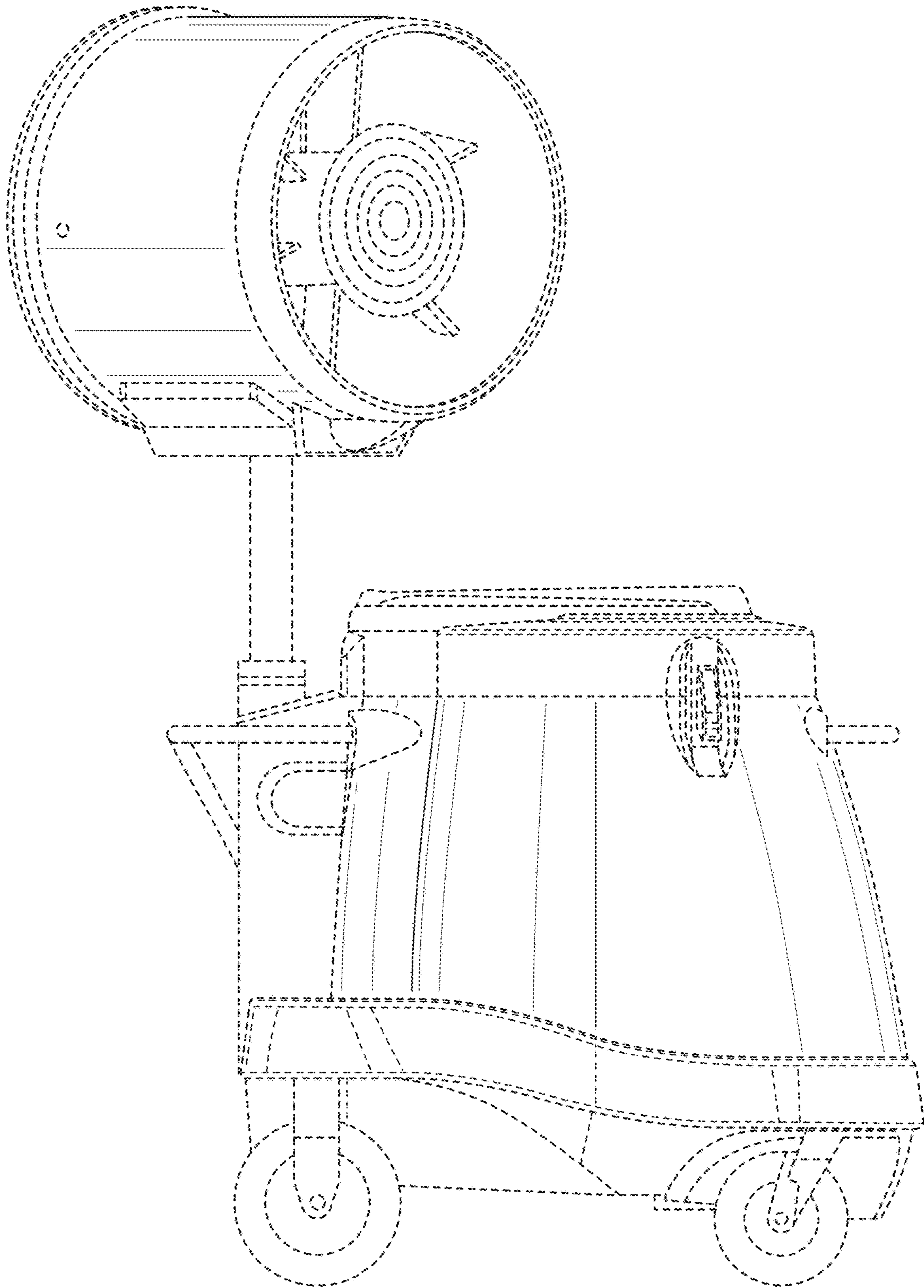


FIG. 6



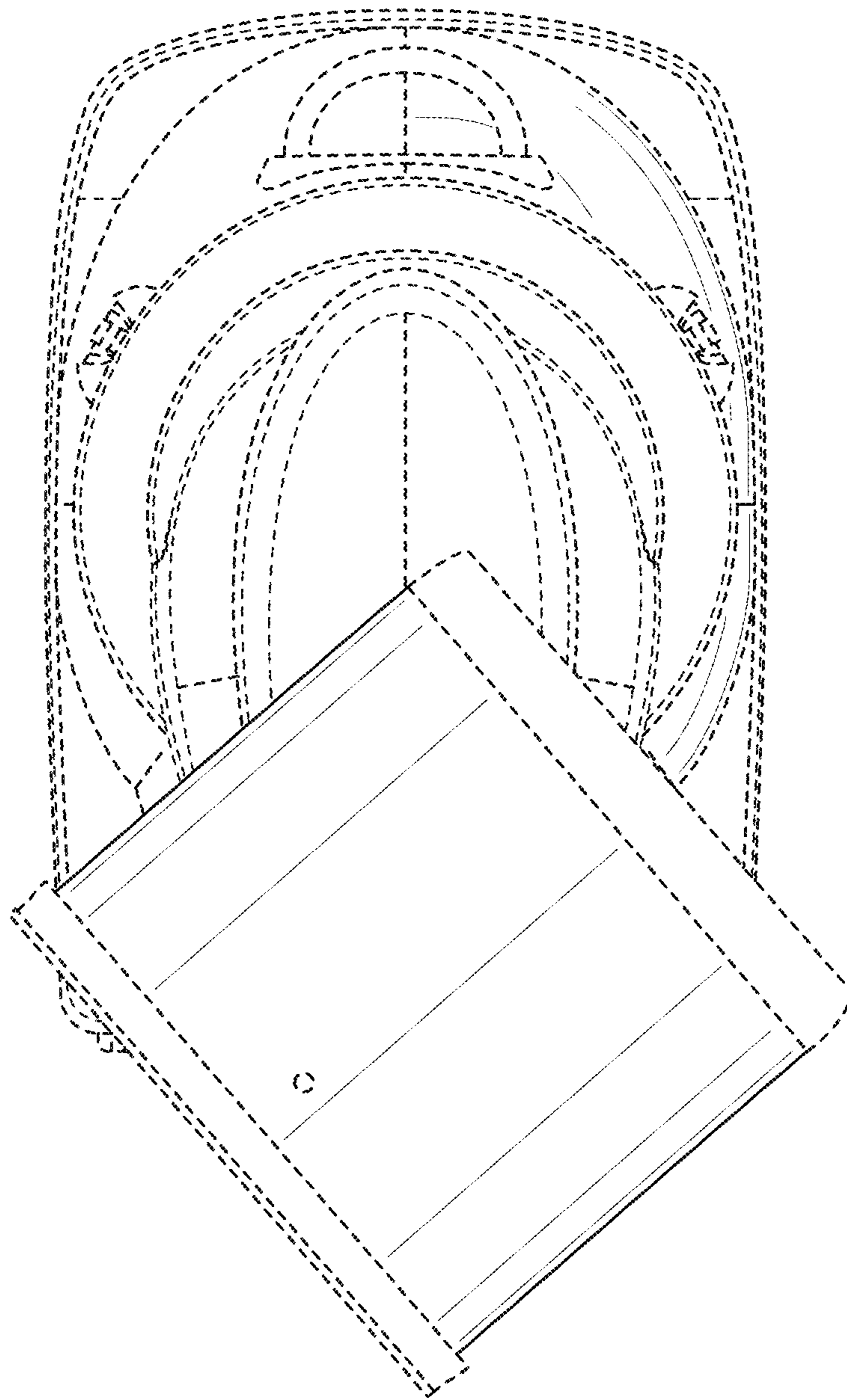


FIG. 7

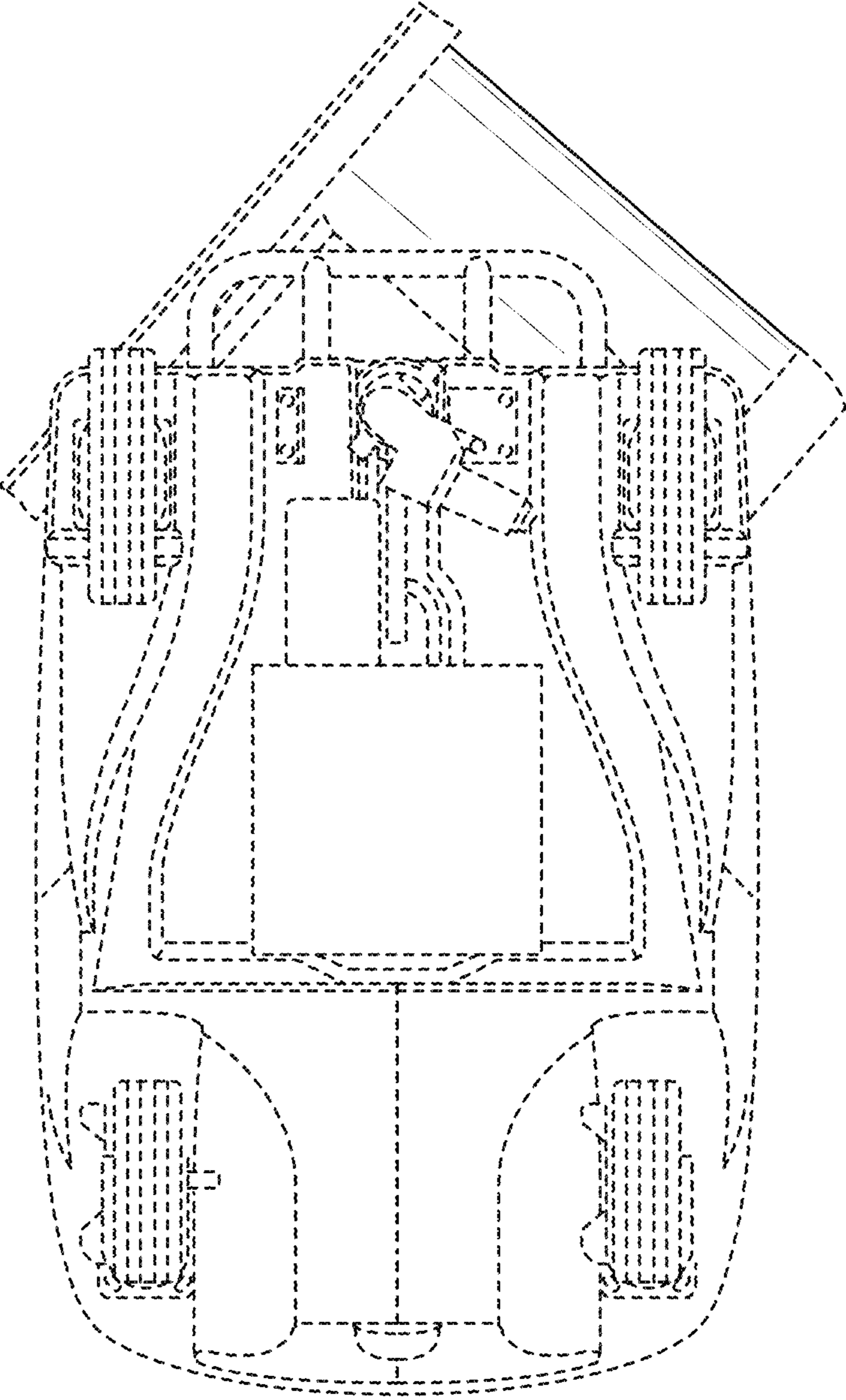


FIG. 8

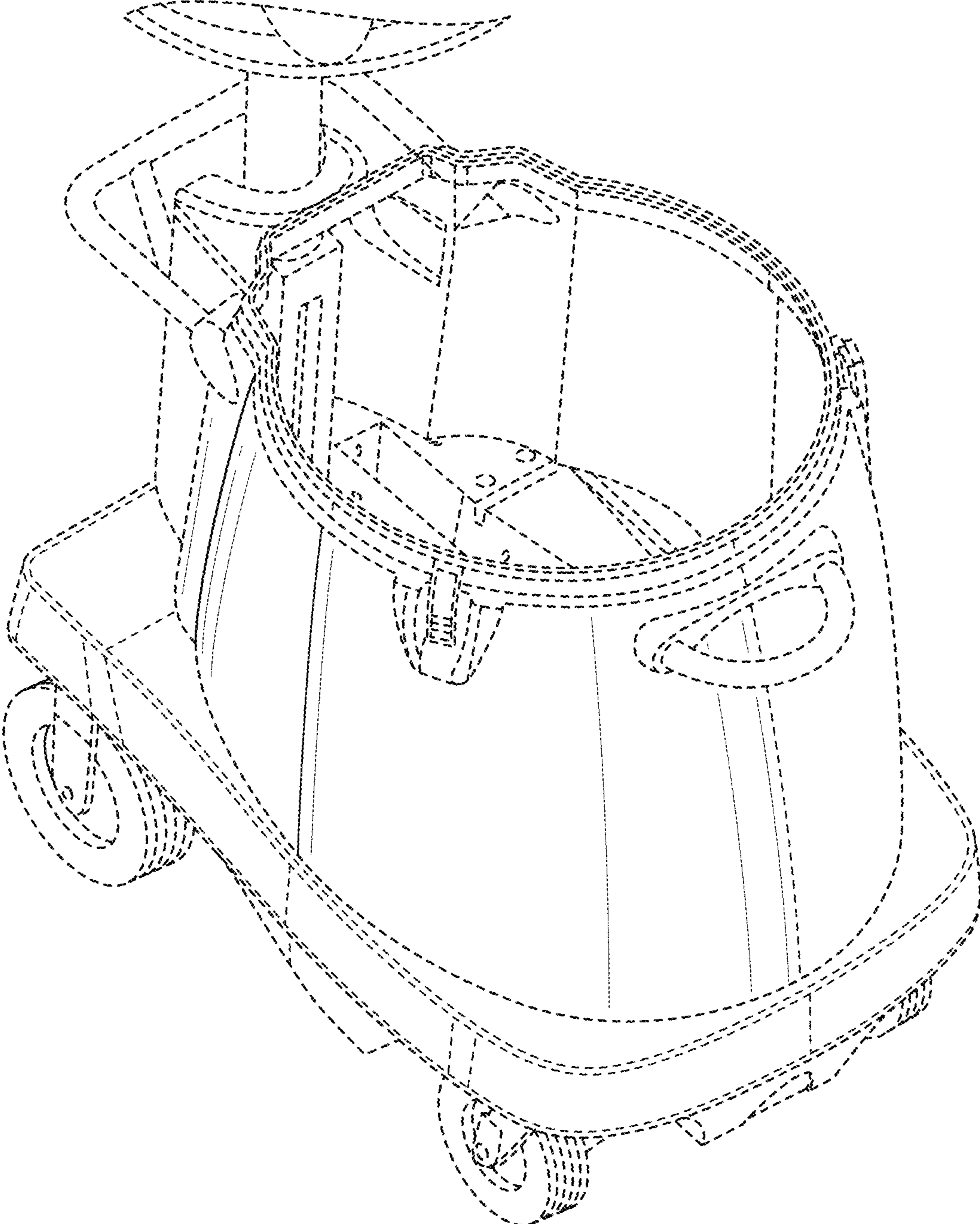


FIG. 9

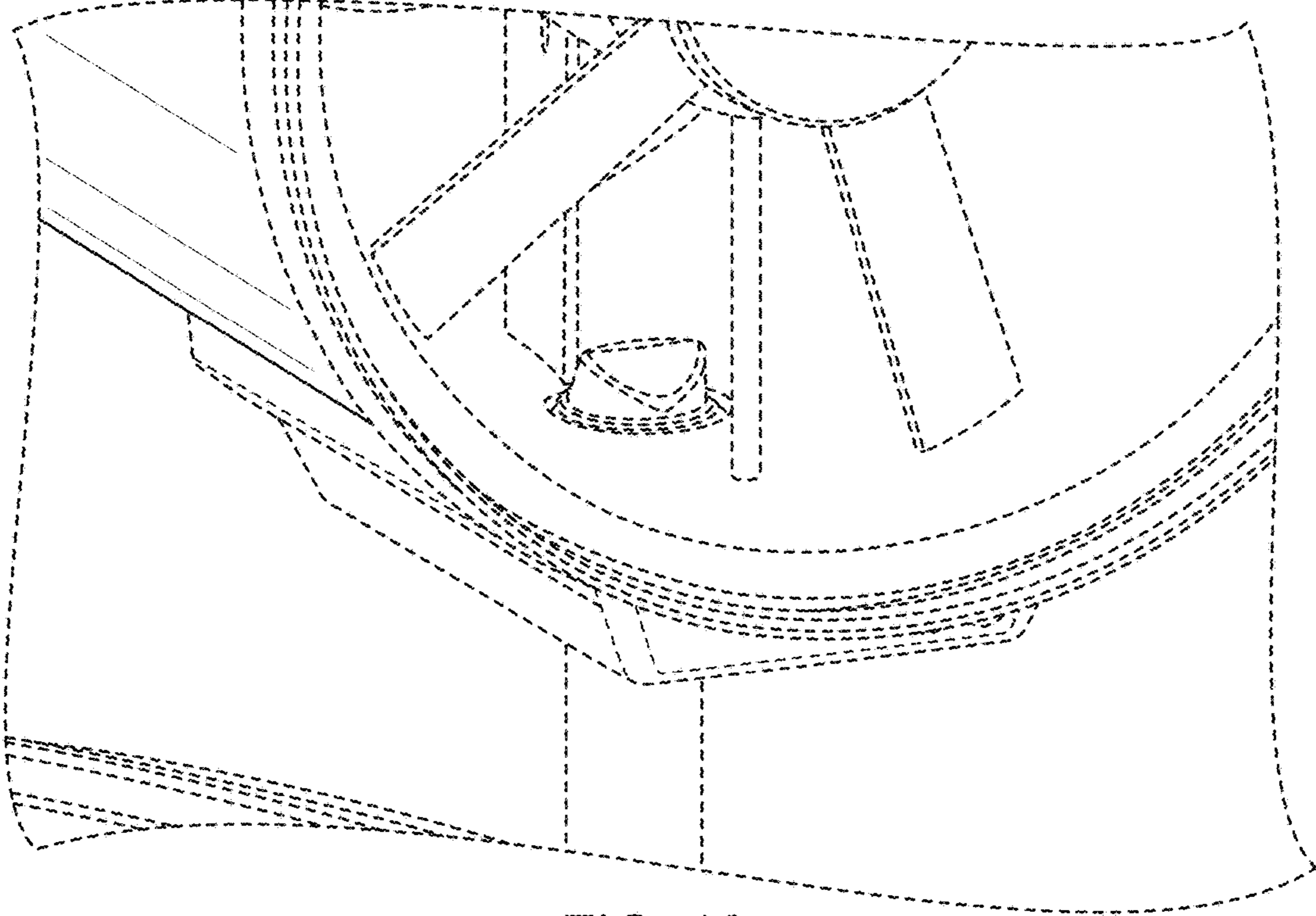


FIG. 10

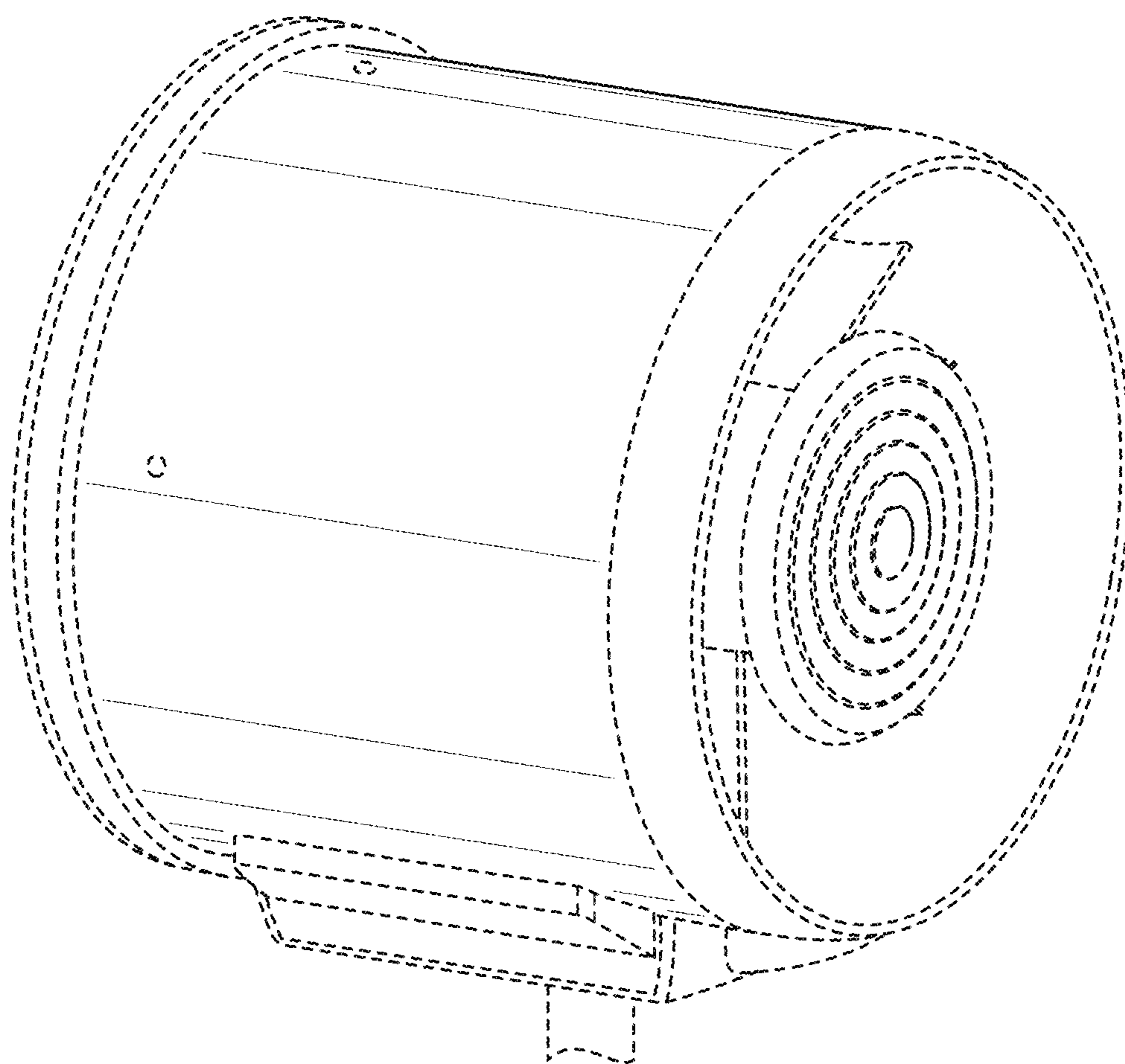


FIG. 11