



US00D780896S

(12) **United States Design Patent**
Weng

(10) **Patent No.:** **US D780,896 S**
(45) **Date of Patent:** **** Mar. 7, 2017**

- (54) **FIRE-PIT**
- (71) Applicant: **Ningbo Mentoriend International Trading Co., Ltd., Ningbo (CN)**
- (72) Inventor: **Johnson Weng, Ningbo (CN)**
- (73) Assignee: **NINGBO MENTORIEND INTERNATIONAL TRADING CO., LTD., Ningbo (CN)**

D739,243 S *	9/2015	Plumlee	D9/499
D765,231 S *	8/2016	Horsfield	D23/343
2006/0236996 A1 *	10/2006	Mosher	F24C 3/14 126/30
2013/0269674 A1 *	10/2013	Junge, Sr.	A47J 37/0704 126/30
2015/0075514 A1 *	3/2015	Kuenzinger	A47J 37/0763 126/25 A
2015/0267919 A1 *	9/2015	Zemel	F24B 3/00 431/6
2016/0123598 A1 *	5/2016	Baccarella	F24B 1/181 126/144

(**) Term: **14 Years**

* cited by examiner

- (21) Appl. No.: **29/517,063**
- (22) Filed: **Feb. 9, 2015**
- (51) **LOC (10) Cl.** **23-03**
- (52) **U.S. Cl.**
USPC **D23/332**
- (58) **Field of Classification Search**
USPC D23/332, 314, 343, 348, 350; D7/332
CPC F24C 1/16; F24C 5/00; A47J 33/00; A47J
37/0763; A47J 37/07; F24B 1/18; F24B
1/182; F24B 1/1808; F24B 1/181; F24B
1/195; F24B 1/191
See application file for complete search history.

Primary Examiner — T. Chase Nelson
Assistant Examiner — Ania Aman
 (74) *Attorney, Agent, or Firm* — Matthias Scholl, PC;
 Matthias Scholl

(57) **CLAIM**

The ornamental design for a fire-pit, as shown and described.

DESCRIPTION

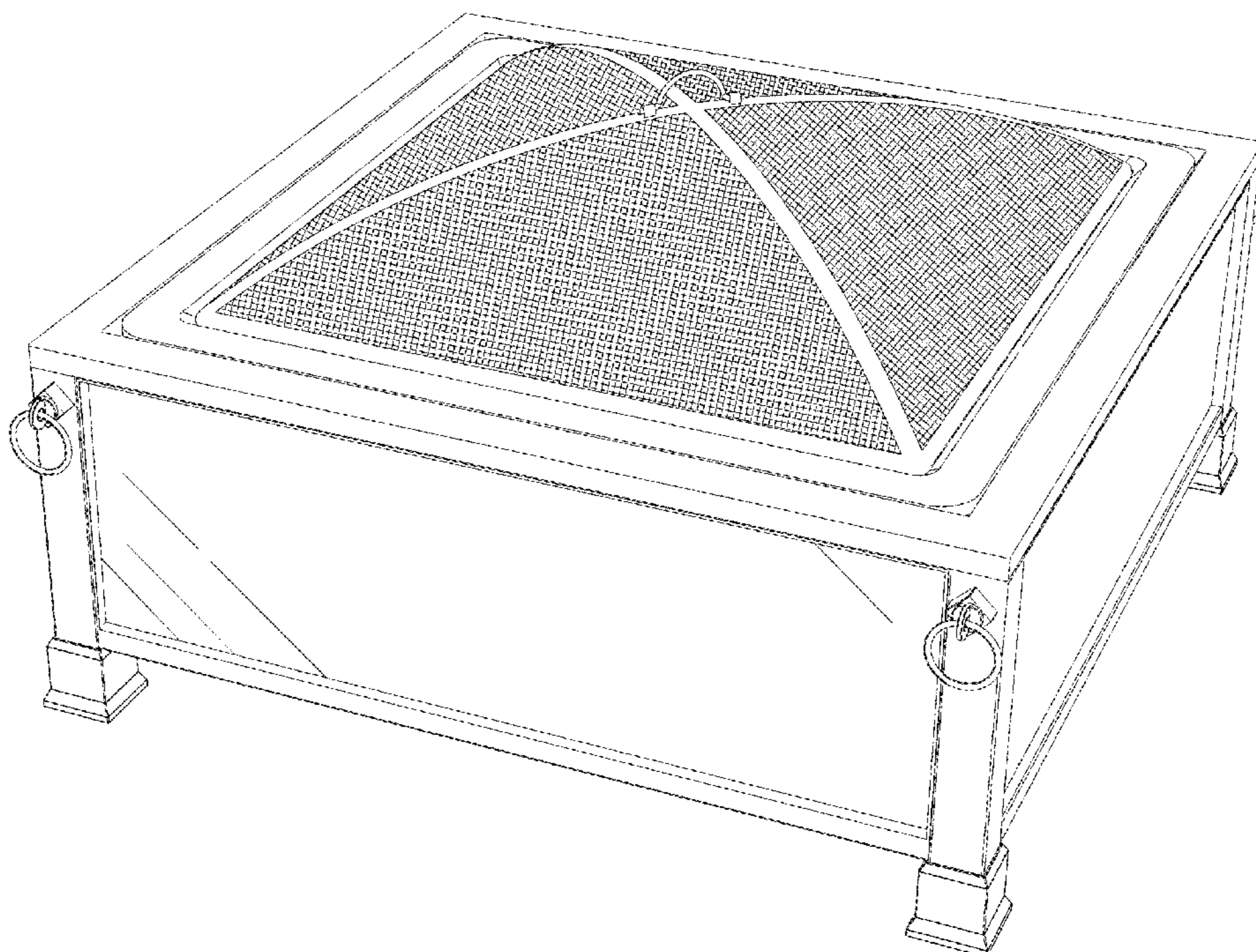
FIG. 1 is a front elevational view of a fire-pit;
 FIG. 2 is a rear elevational view thereof;
 FIG. 3 is a left side elevational view thereof;
 FIG. 4 is a right side elevational view thereof;
 FIG. 5 is a top plan view thereof;
 FIG. 6 is a bottom plan view thereof; and,
 FIG. 7 is a perspective view thereof.
 The broken lines shown in FIG. 6 are for the purpose of illustrating portions of the article that form no part of the claimed design.

(56) **References Cited**

U.S. PATENT DOCUMENTS

D397,428 S *	8/1998	Reitsma	D23/332
D457,229 S *	5/2002	Chen	D23/343
D579,261 S *	10/2008	Chiang	D7/332
D633,995 S *	3/2011	Chiang	D23/332
D729,914 S *	5/2015	Kinchen	D23/332

1 Claim, 7 Drawing Sheets



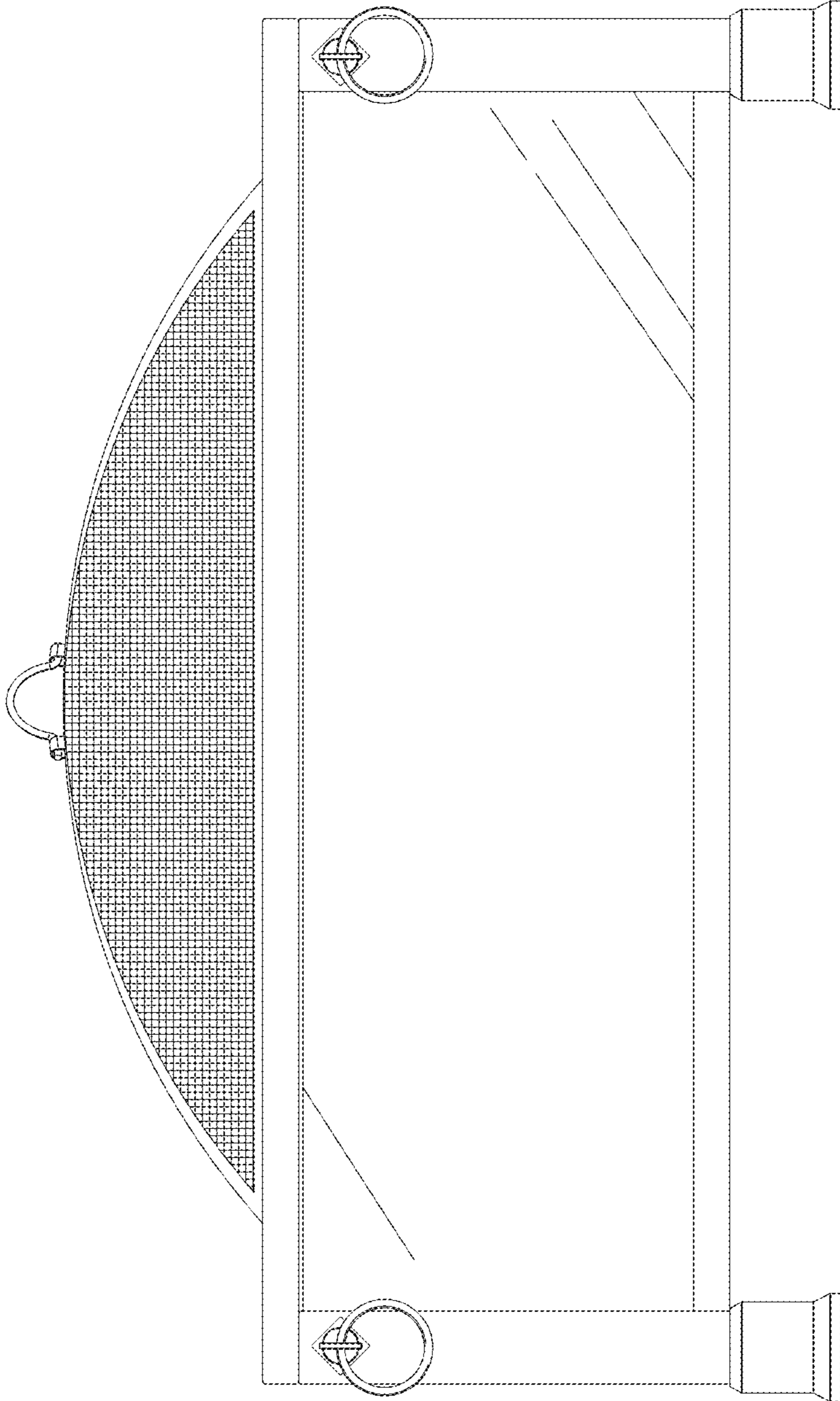


FIG. 1

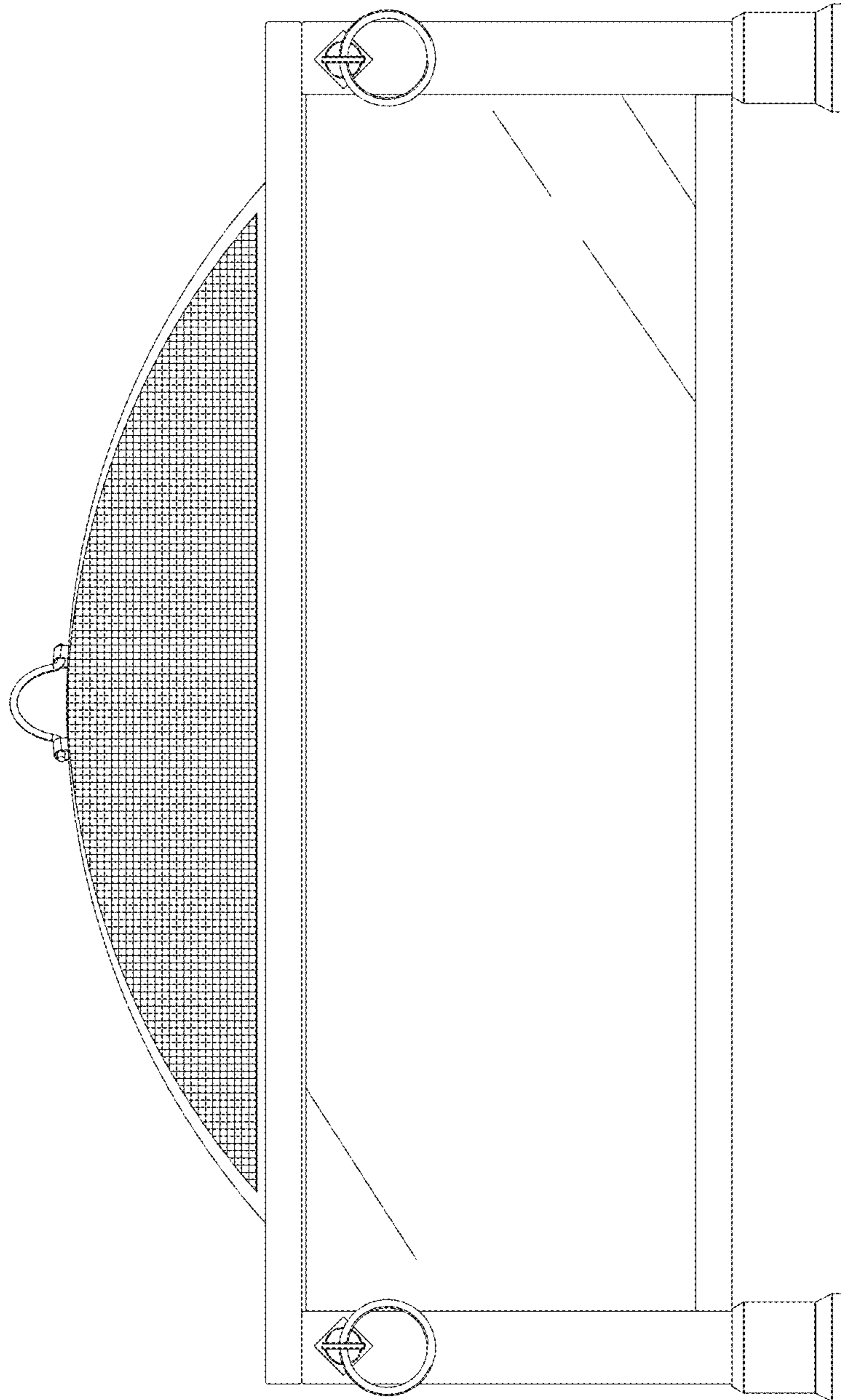


FIG. 2

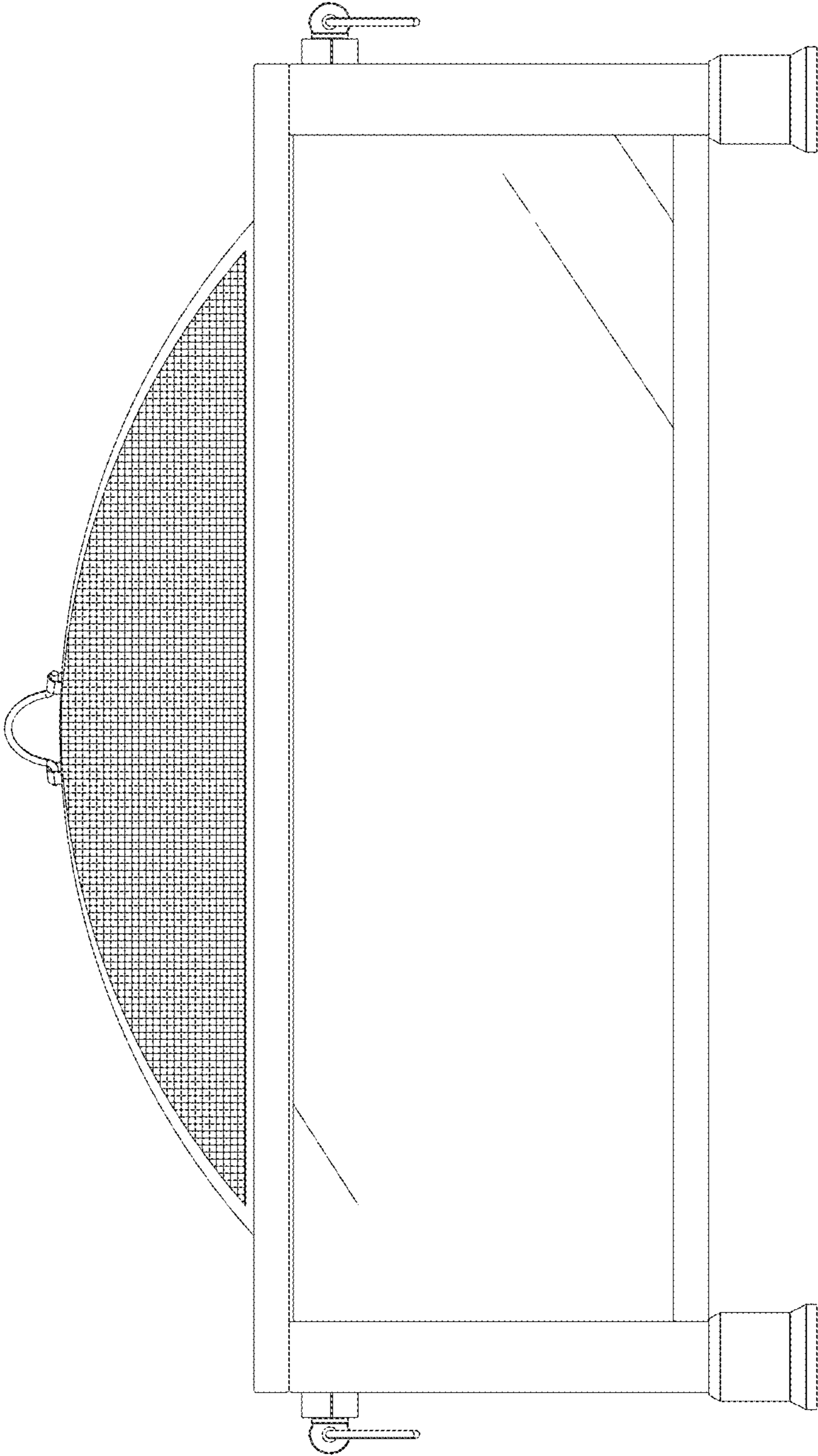


FIG. 3

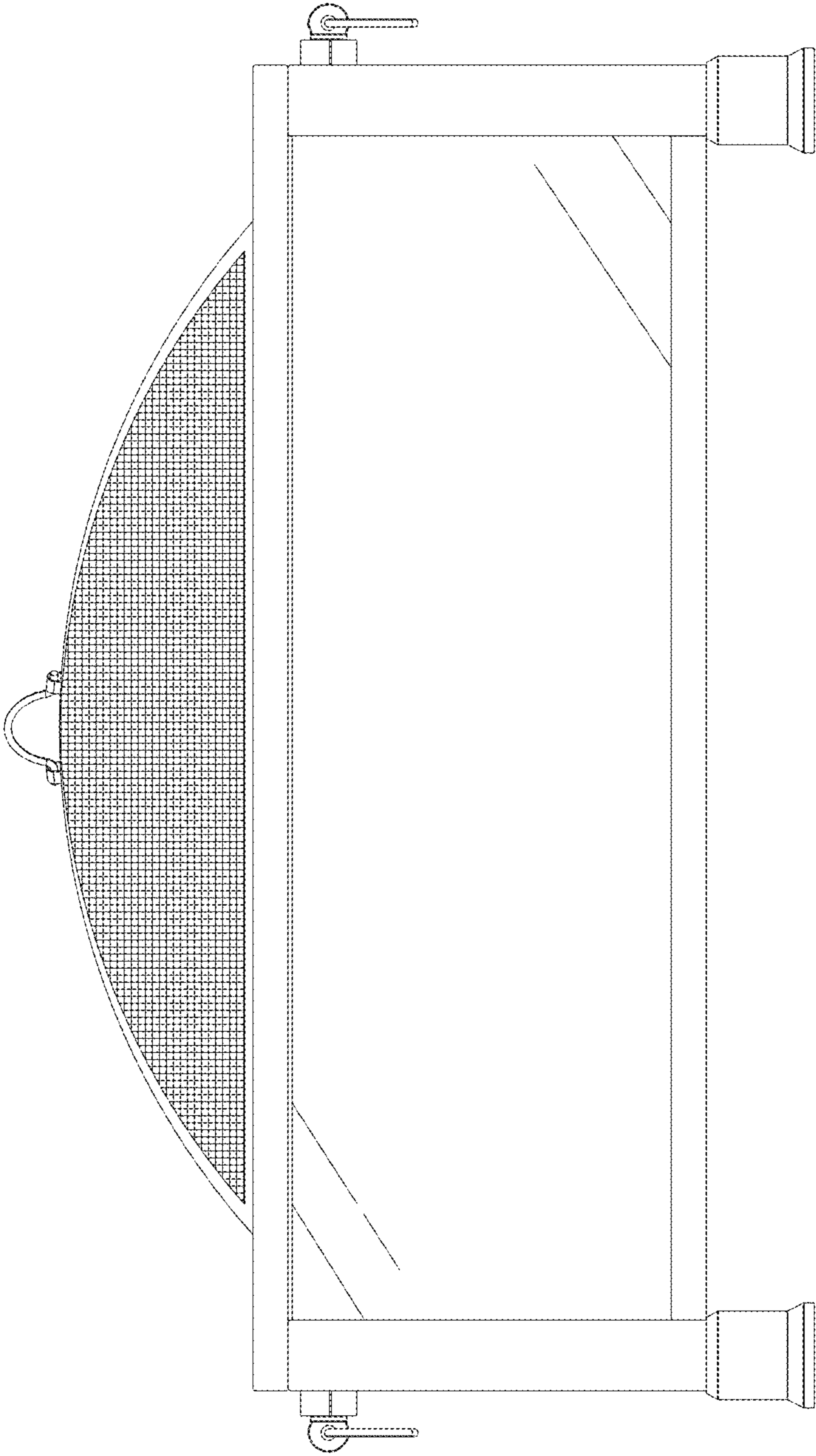


FIG. 4

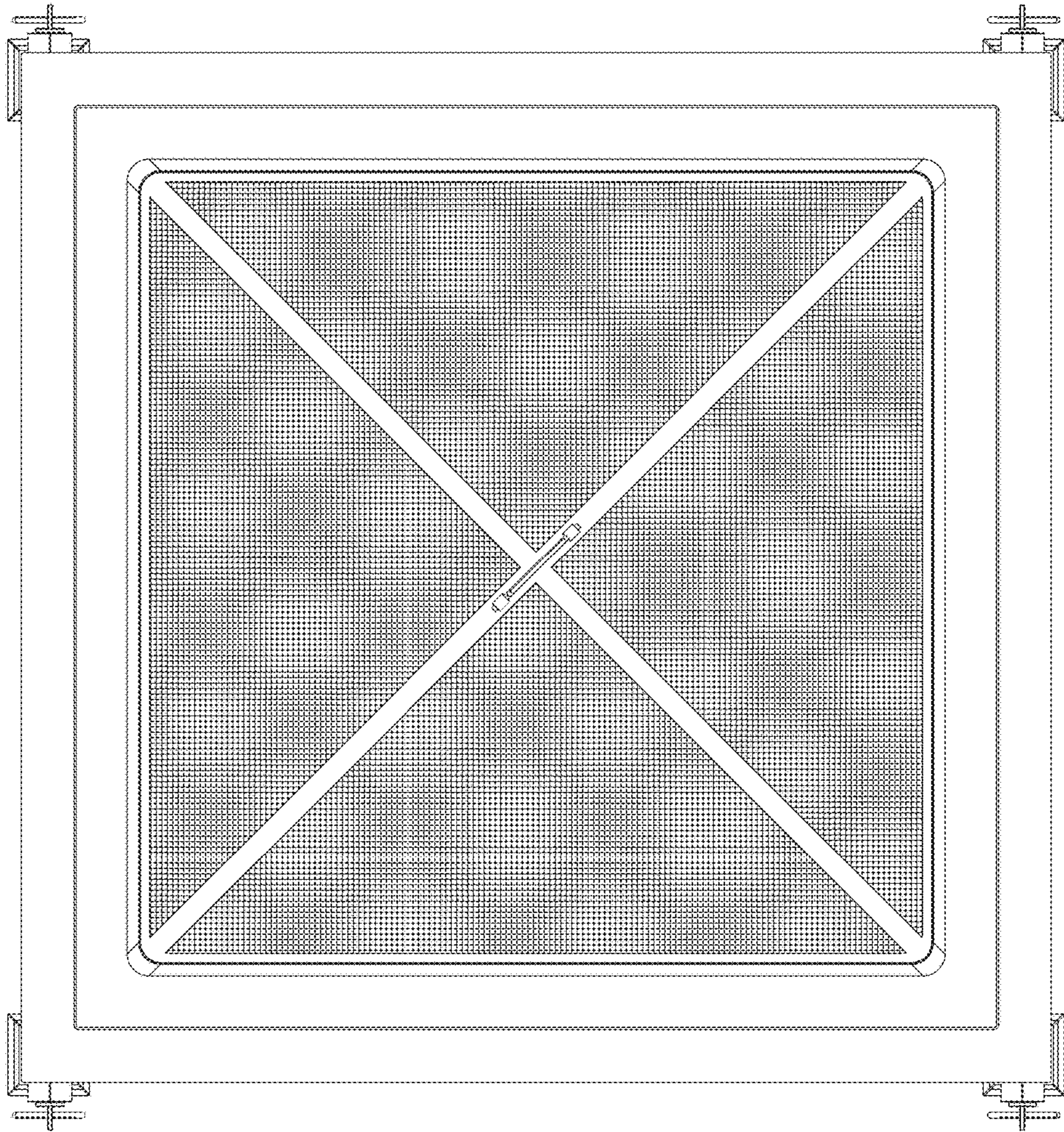


FIG. 5

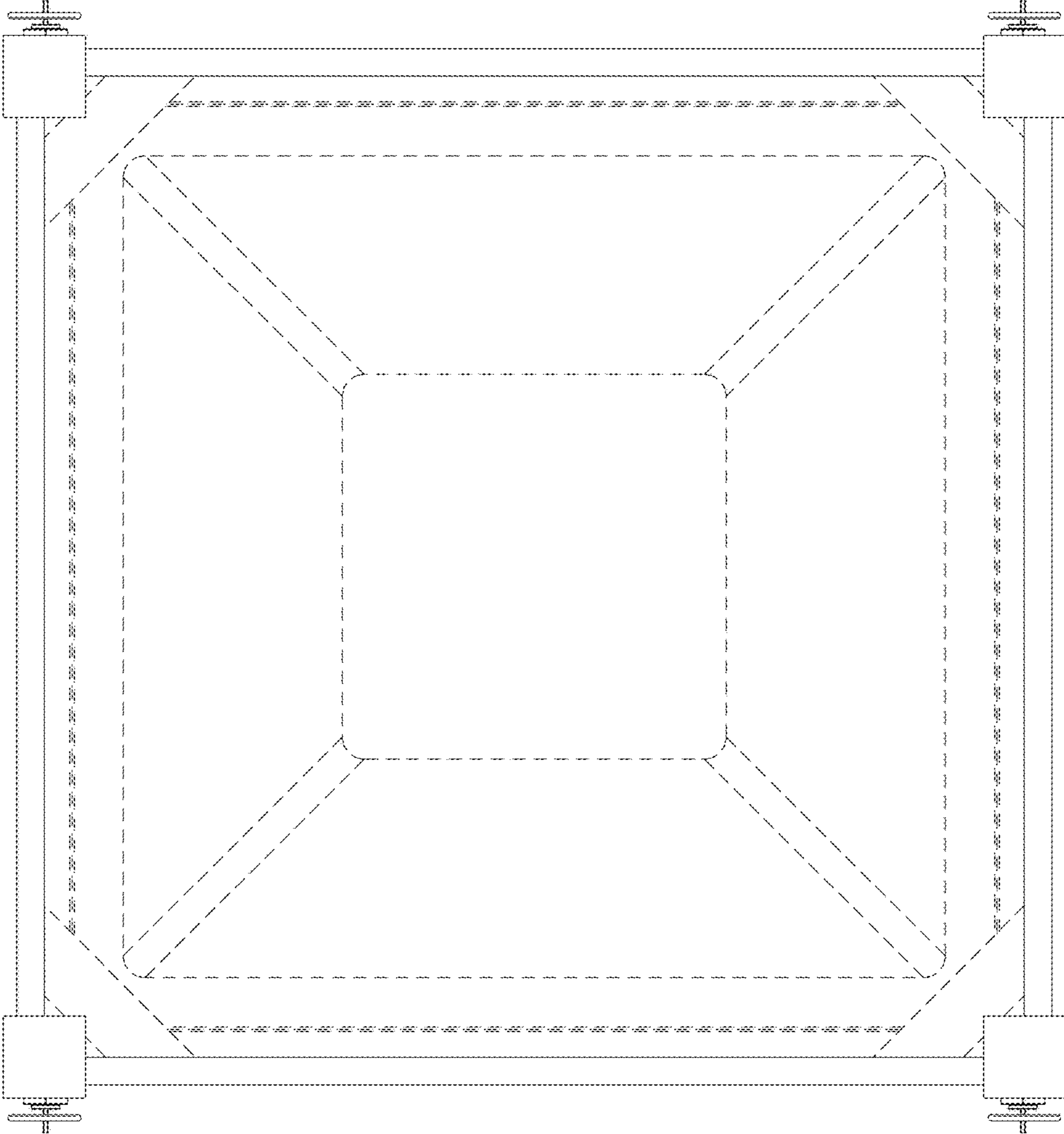


FIG. 6

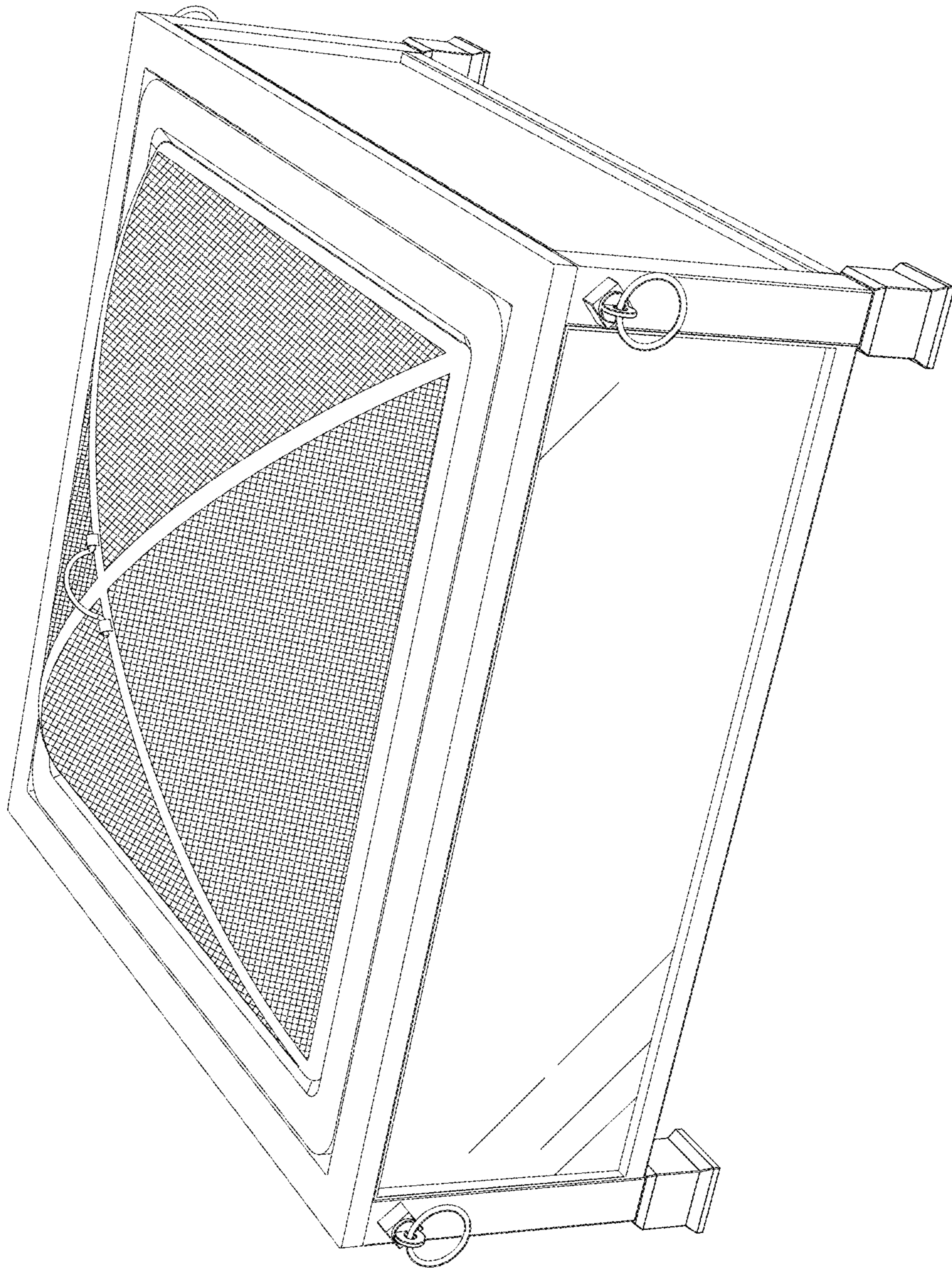


FIG. 7