



US00D780895S

(12) **United States Design Patent**
Stauss

(10) **Patent No.:** **US D780,895 S**
(45) **Date of Patent:** **** Mar. 7, 2017**

- (54) **DISHWASHING TABLE**
- (71) Applicant: **Naber Holding GmbH & Co. KG**,
Nordhorn (DE)
- (72) Inventor: **Kilian Stauss**, München (DE)
- (73) Assignee: **Naber Holding GmbH & Co. KG**
(DE)
- (**) Term: **15 Years**
- (21) Appl. No.: **29/533,238**
- (22) Filed: **Jul. 15, 2015**
- (51) **LOC (10) Cl.** **23-02**
- (52) **U.S. Cl.**
USPC **D23/271**
- (58) **Field of Classification Search**
USPC D23/271-274, 285-286, 293.1, 308;
D6/644, 655, 655.1, 656, 671, 707,
D6/709.22, 519; D24/234
CPC A47B 33/00; A47B 77/022; E03C 1/14;
E03C 1/18; E03C 1/182
See application file for complete search history.

- 3,520,726 A * 7/1970 Gay A47B 33/00
134/115 R
- D220,324 S * 3/1971 Ott D24/234
- 4,321,857 A * 3/1982 Best A47J 37/06
126/39 C
- D300,058 S * 2/1989 Emanuele D23/271
- D386,625 S * 11/1997 Bloom D6/644
- 7,721,364 B2 * 5/2010 Pearson E03C 1/18
312/228
- D622,082 S * 8/2010 Booth D6/675
- D676,945 S * 2/2013 Schindler D23/286
- D728,762 S * 5/2015 Mayer D23/286

* cited by examiner

Primary Examiner — Robert Delehanty
(74) *Attorney, Agent, or Firm* — Polsinelli PC

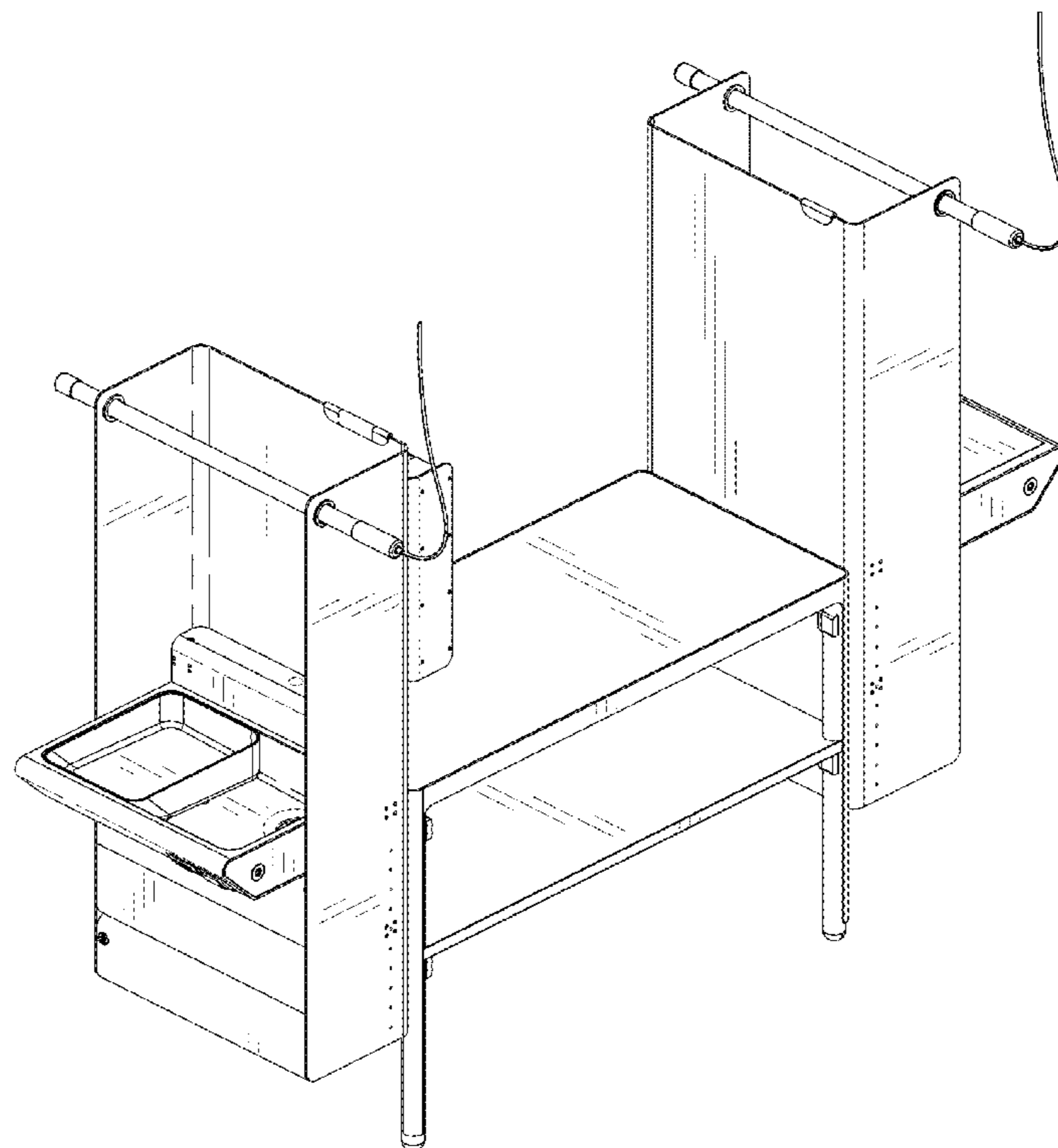
- (56) **References Cited**
U.S. PATENT DOCUMENTS
- 1,436,546 A * 11/1922 Stephens A47B 33/00
108/26
- 3,511,192 A * 5/1970 Noren A47B 13/10
108/64

(57) **CLAIM**
The ornamental design for a dishwashing table, as shown and described.

DESCRIPTION

FIG. 1 is a perspective view of the dishwashing table; FIG. 2 is a front view of the dishwashing table; FIG. 3 is a rear view of the dishwashing table; FIG. 4 is a side view of the dishwashing table; FIG. 5 is a side view of the dishwashing table; and, FIG. 6 is a top view of the dishwashing table.

1 Claim, 5 Drawing Sheets



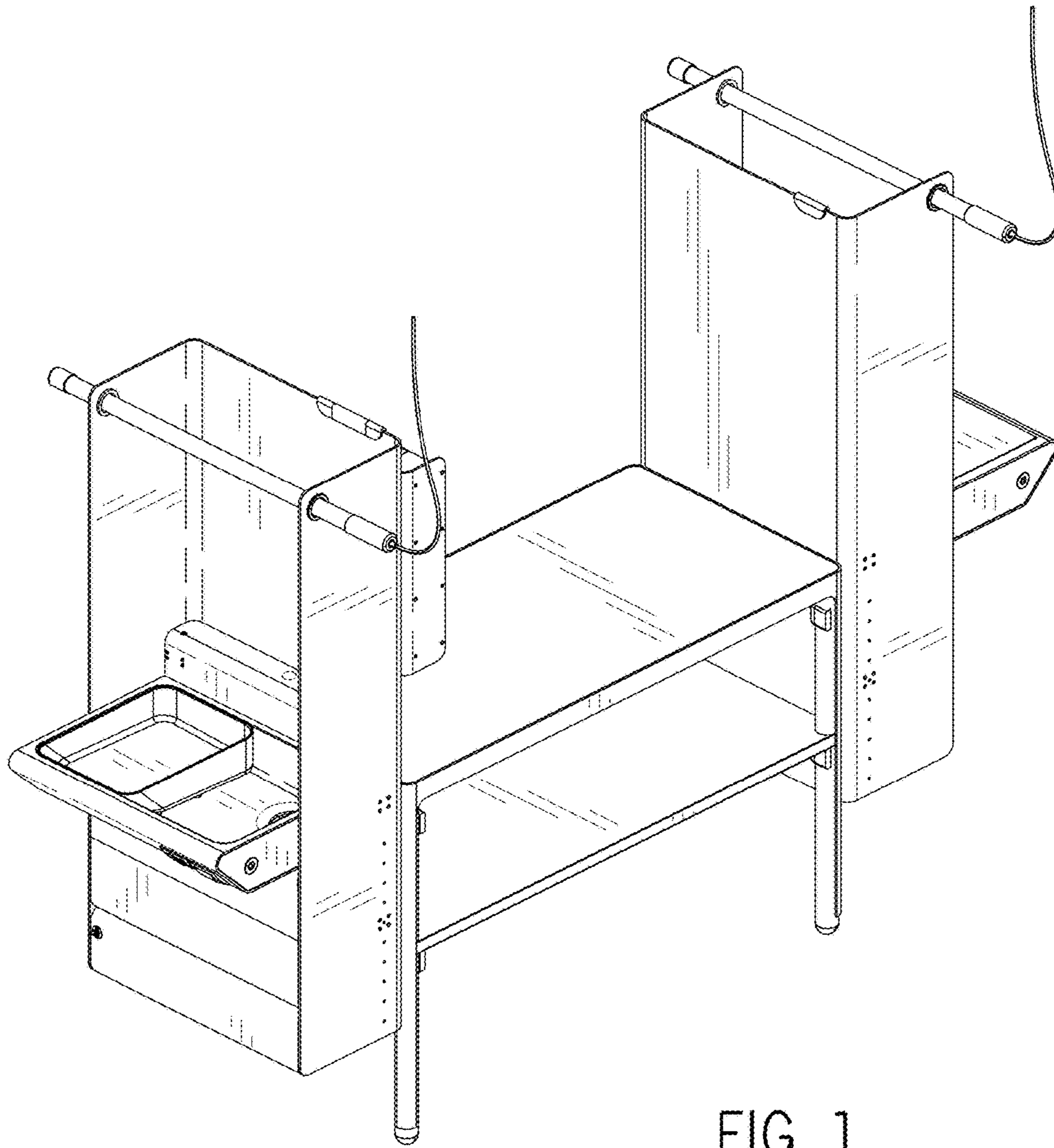


FIG. 1

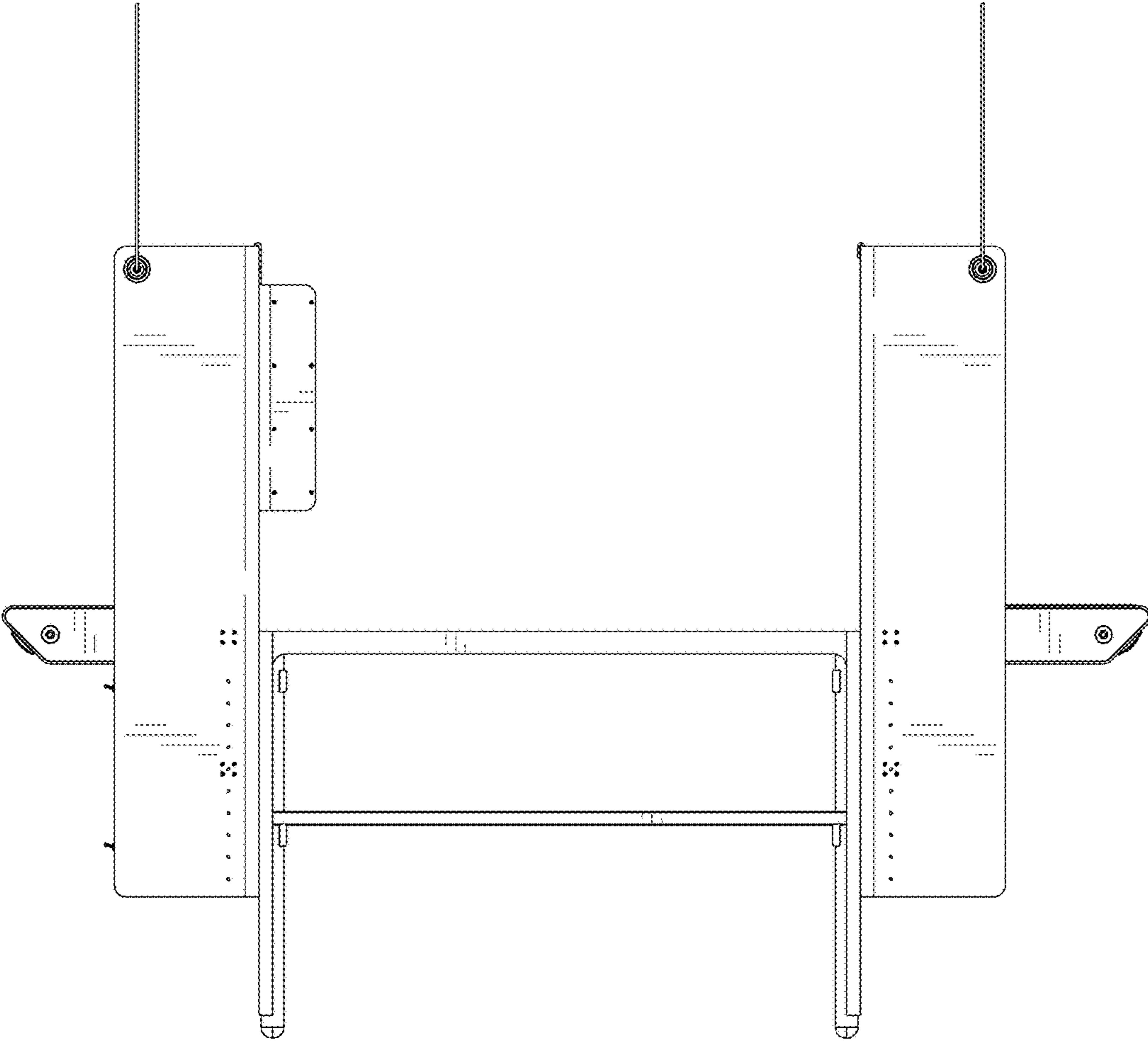


FIG. 2

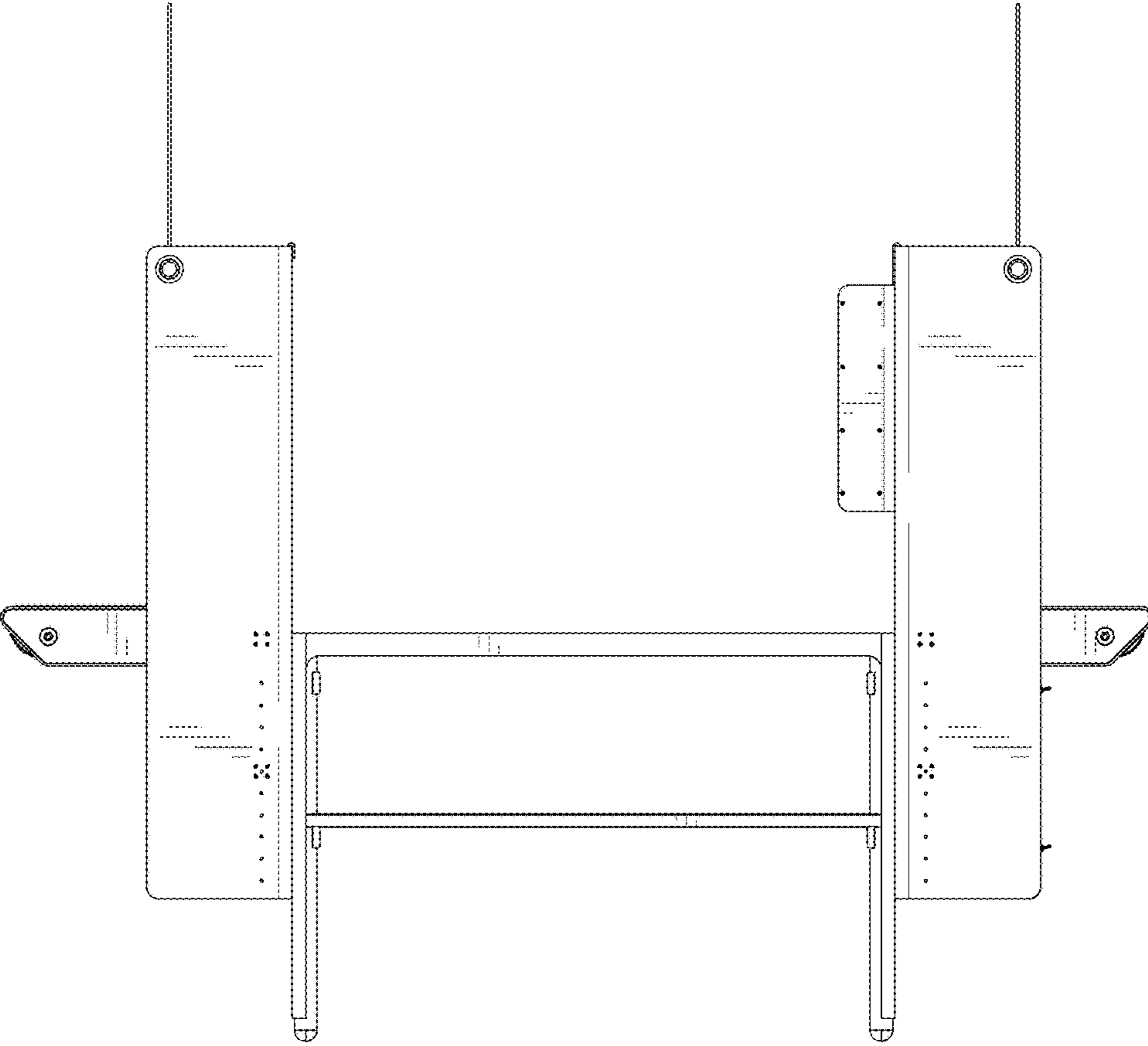


FIG. 3

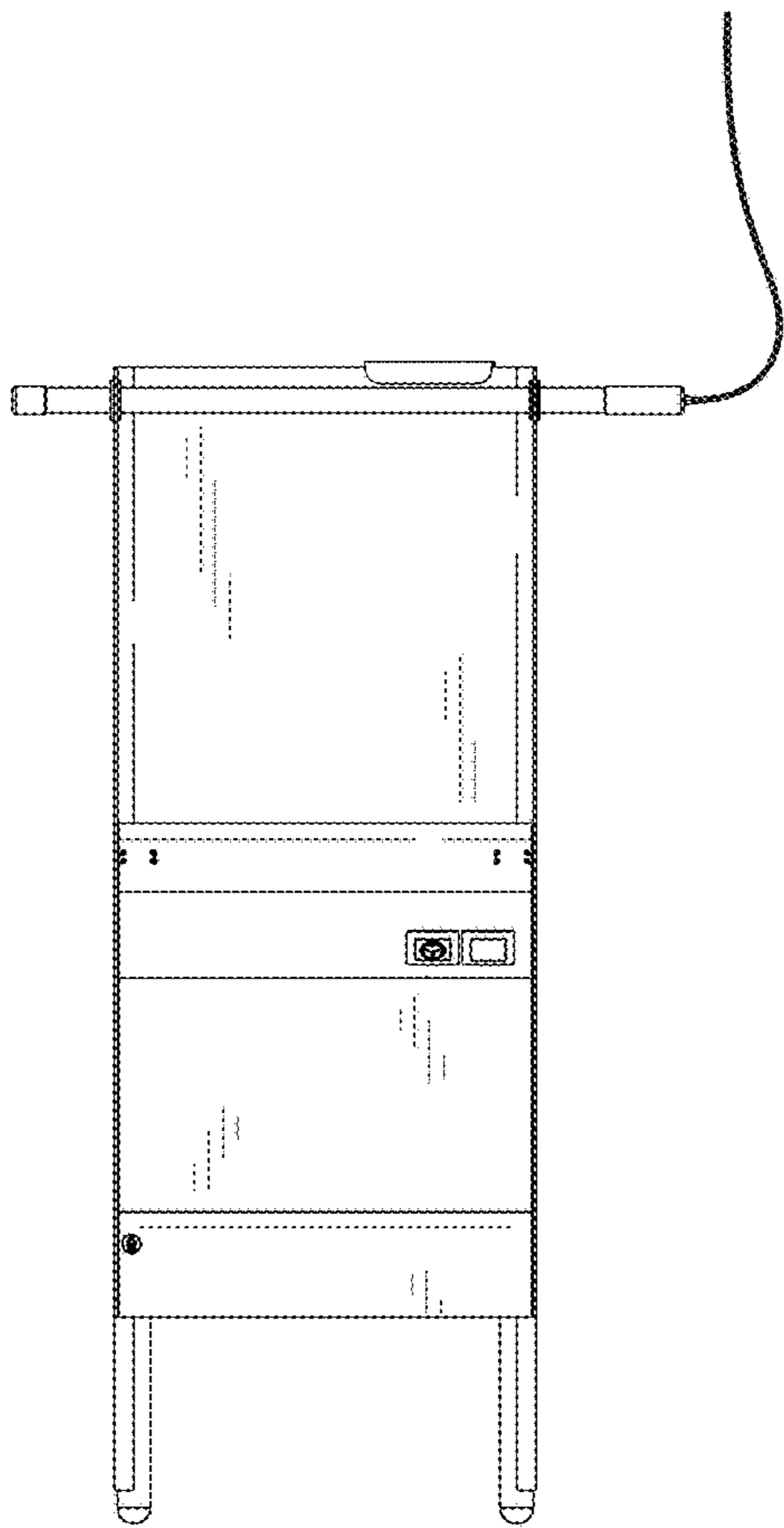


FIG. 4

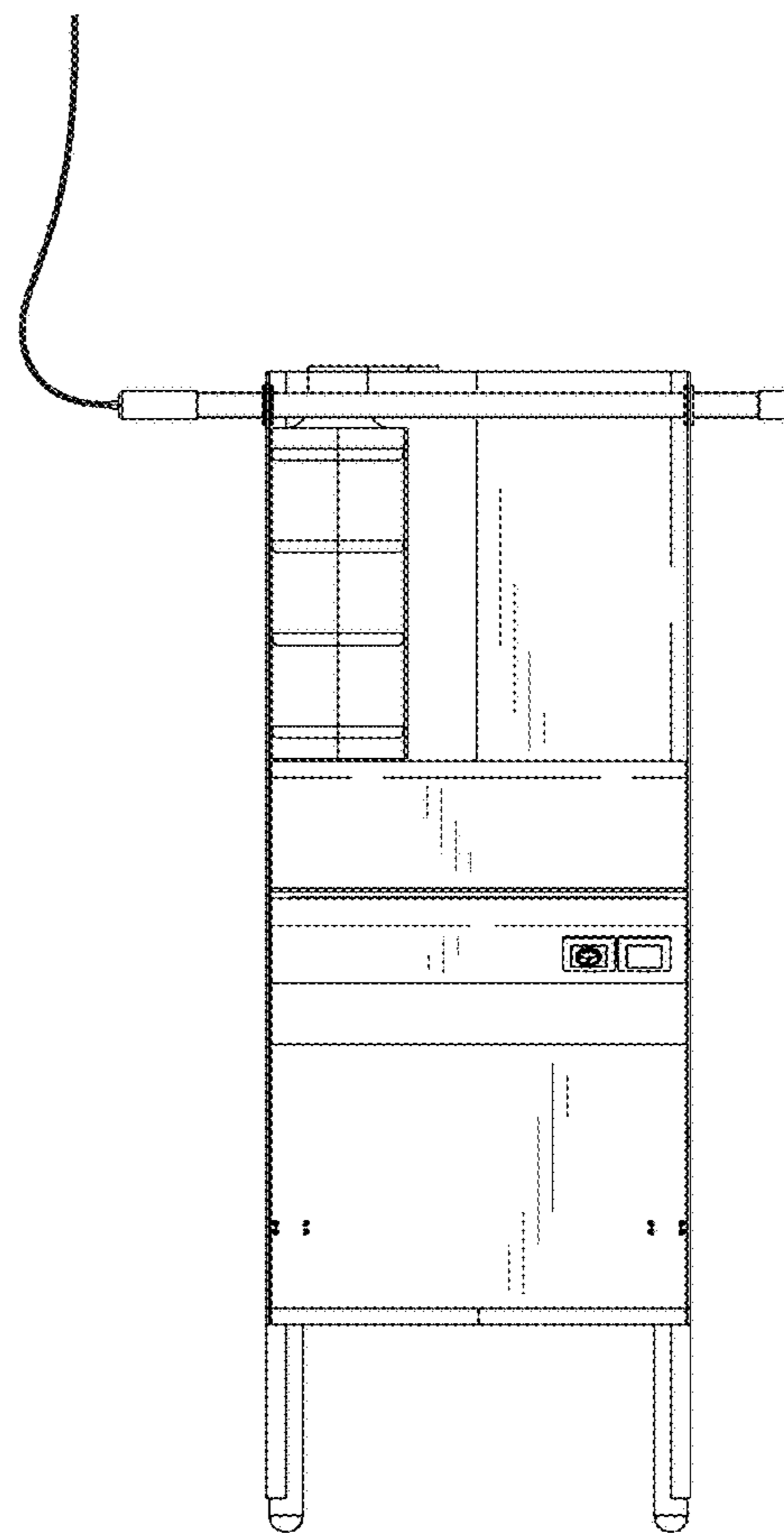


FIG. 5

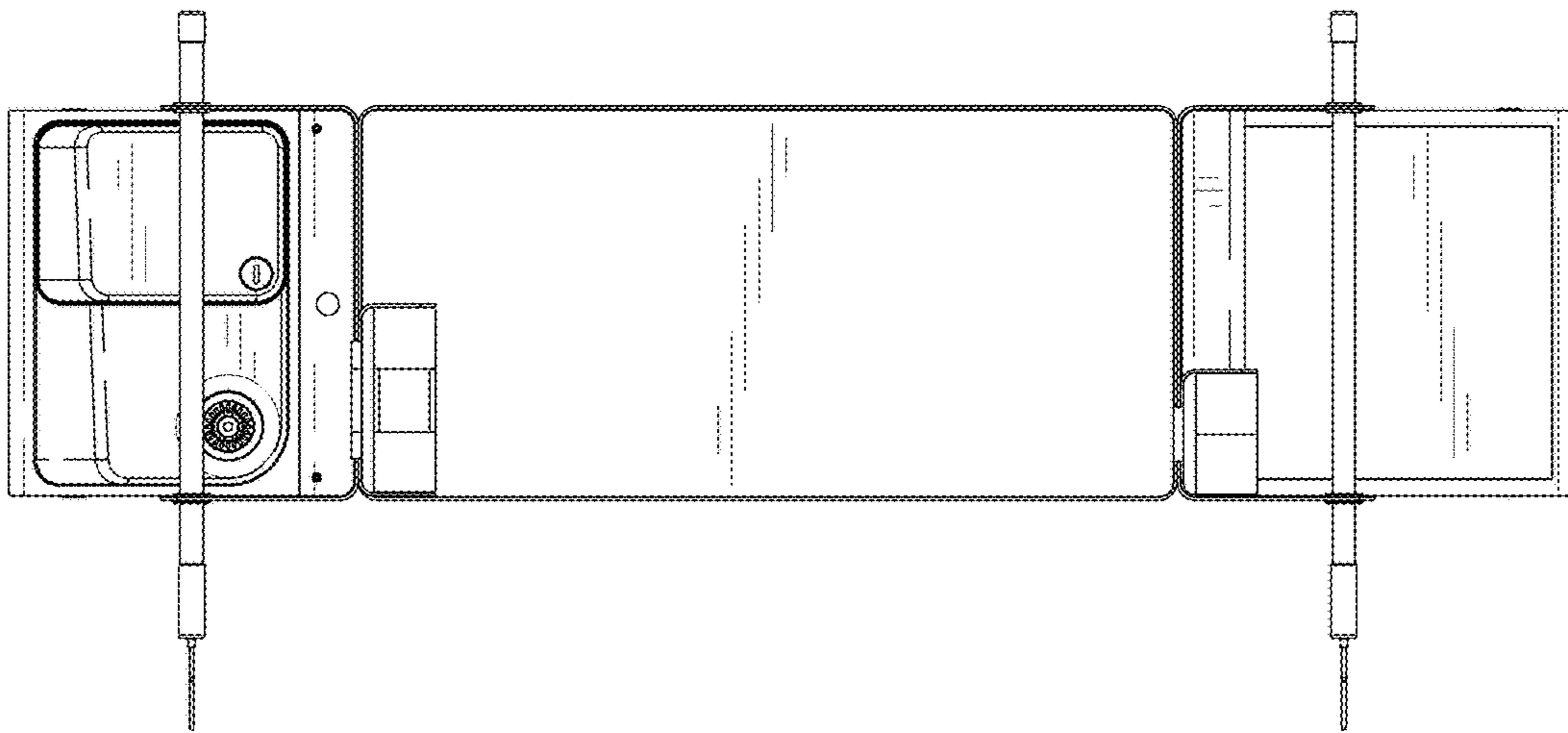


FIG. 6