



US00D780893S

(12) **United States Design Patent**  
**Denooy**

(10) **Patent No.:** **US D780,893 S**  
(45) **Date of Patent:** **\*\* Mar. 7, 2017**

- (54) **UNIVERSAL DOWNSPOUT ADAPTER**
- (71) Applicant: **Dennis Denooy**, Barnes City, IA (US)
- (72) Inventor: **Dennis Denooy**, Barnes City, IA (US)
- (\*\*) Term: **15 Years**
- (21) Appl. No.: **29/562,611**
- (22) Filed: **Apr. 27, 2016**

**Related U.S. Application Data**

- (62) Division of application No. 29/523,316, filed on Apr. 8, 2015, now Pat. No. Des. 761,397.
- (51) **LOC (10) Cl.** ..... **23-01**
- (52) **U.S. Cl.**  
USPC ..... **D23/262**; D23/267
- (58) **Field of Classification Search**  
USPC ..... D23/259-269, 393  
CPC ... E04D 13/08; E04D 13/076; E04D 13/0722;  
E04D 13/0725; E04D 2013/0833; E04D  
2013/082; E04D 2013/0866; E04D  
2013/086; E04B 1/3404; E04B 1/7069  
See application file for complete search history.

(56) **References Cited**

**U.S. PATENT DOCUMENTS**

D232,553 S	8/1974	Settle	
D234,596 S *	3/1975	Sixt	D23/262
4,247,136 A	1/1981	Fouss et al.	
D280,126 S	8/1985	Provan et al.	
D288,230 S	2/1987	Thatcher	
D288,840 S	3/1987	Williams	
5,735,085 A *	4/1998	Denooy	E04D 13/08 137/579
D421,644 S *	3/2000	Andersen	D23/263
D447,543 S	9/2001	Quin	
D447,544 S	9/2001	Quin	

D552,219 S	10/2007	Beutler et al.	
D552,220 S	10/2007	Beutler et al.	
D555,232 S	11/2007	Beutler et al.	
D630,299 S *	1/2011	Boysel	D23/233
8,033,058 B2	10/2011	Block	

(Continued)

**OTHER PUBLICATIONS**

Front Street Manufacturing: Downspout Tile Adapters. Gutter Works Website: <https://www.gutterworks.com/shop-online/downspout-products-2/downspout-tile-adapters-3/black-and-white-plastic-downspout-tile-adapters-6/4x4x4-pvc-downspout-tile-adapter>. Copyright 2016. Found Aug. 12, 2016.\*  
Downspout Tile Adapter. Webpage Last Updated: Jan. 24, 2016. Found Aug. 12, 2016.\*

(Continued)

*Primary Examiner* — Eric Goodman  
*Assistant Examiner* — Amy Wierenga  
(74) *Attorney, Agent, or Firm* — McKee, Voorhees & Sease, PLC

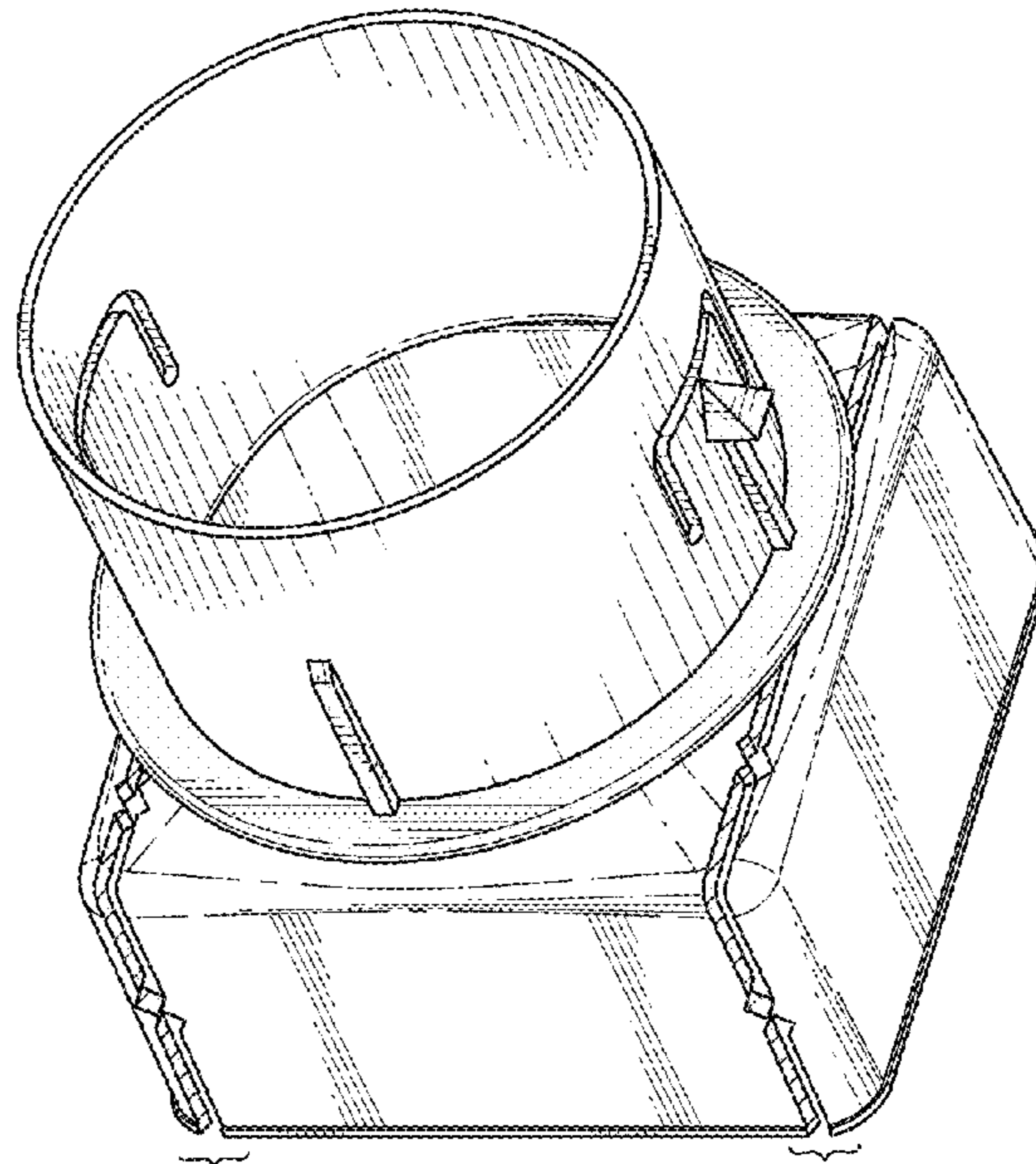
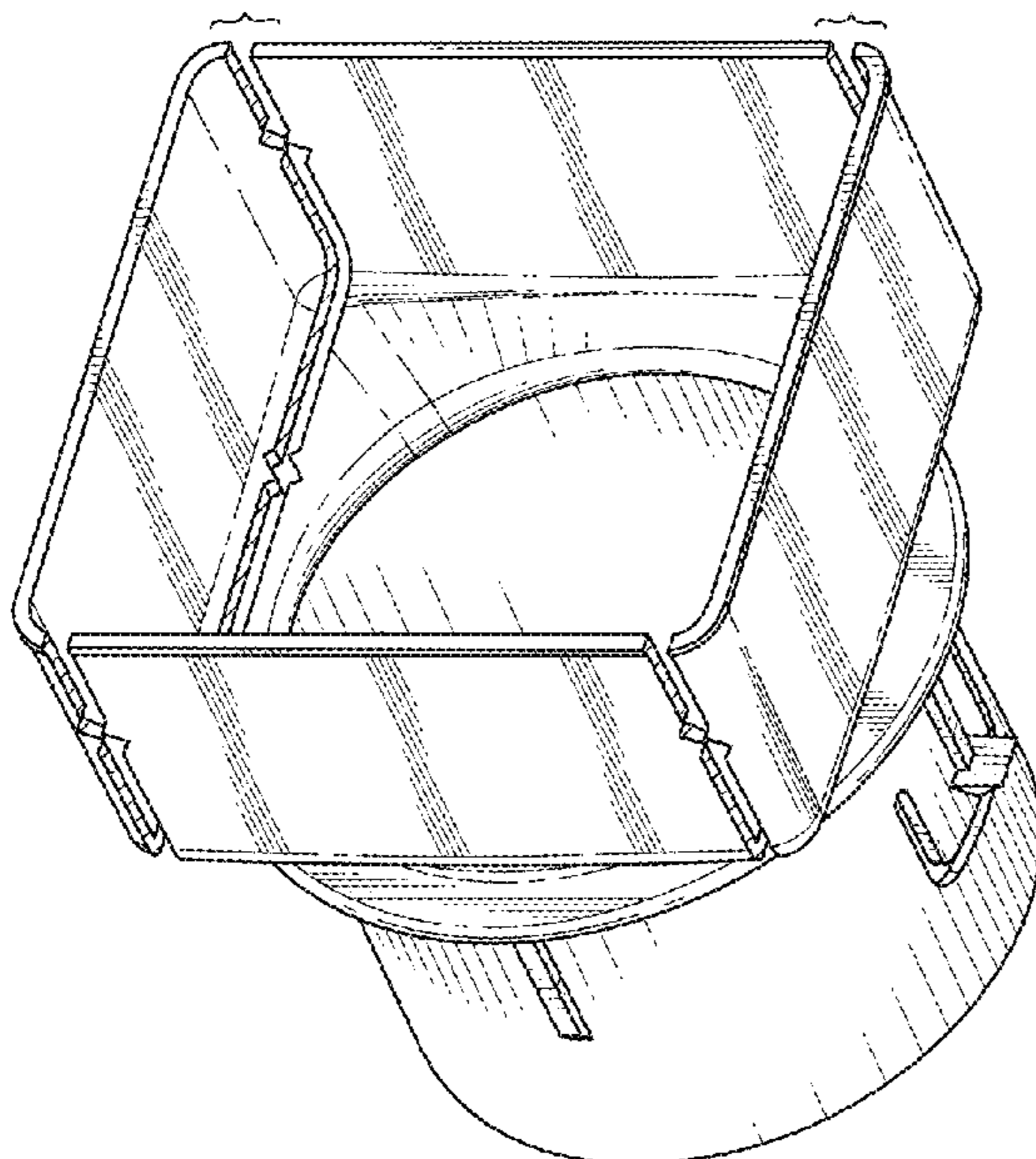
(57) **CLAIM**

I claim the ornamental design for a universal downspout adapter, substantially as shown and described.

**DESCRIPTION**

FIG. 1 is a top perspective view of a universal downspout adapter showing my new design;  
FIG. 2 is a bottom perspective view thereof;  
FIG. 3 is a front elevation view thereof;  
FIG. 4 is a rear elevation view thereof;  
FIG. 5 is side elevation view thereof; and,  
FIG. 6 is a bottom plan view.  
The universal gutter adapter is shown with a symbolic break in its length. The appearance of any portion of the article between the break lines forms no part of the claimed design.

**1 Claim, 3 Drawing Sheets**



(56)

References Cited

U.S. PATENT DOCUMENTS

D658,831	S	5/2012	Robinson et al.	
D671,624	S	11/2012	Harman et al.	
D687,970	S *	8/2013	Akkala .....	D25/36
8,864,180	B2 *	10/2014	Harman .....	E04D 13/08 285/146.1
D726,290	S *	4/2015	Maurer .....	D23/267
D732,147	S *	6/2015	French .....	D23/267
D745,115	S	12/2015	Kuang	
D752,190	S *	3/2016	DeNooy .....	D23/267
D761,397	S *	7/2016	DeNooy .....	D23/262
2008/0251150	A1 *	10/2008	Denooy .....	F15D 1/001 138/37
2011/0005613	A1 *	1/2011	Griffin .....	E03B 3/02 137/357
2012/0049511	A1 *	3/2012	Bell .....	F16L 27/11 285/226
2012/0068452	A1	3/2012	Boettner	
2014/0115998	A1	5/2014	Horgan	
2014/0117661	A1	5/2014	Harman et al.	

OTHER PUBLICATIONS

Ebay Website: [http://www.ebay.com/itm/Downspout-Tile-Adapters-to-convert-4x4-square-downspouts-to-4-round/161958035868?\\_trksid=p2141725.c100338.m3726&\\_\\_trkparms=aid%3D222007%26algo%3DSIC.MBE%26ao%3D1%26asc%3D20150313114020%26meid%3D048e0db0b39143968356f886bb80f7b4%26pid%3D100338%26rk%3D7%26rkt%3D11%26sd%3D191942641833.\\*](http://www.ebay.com/itm/Downspout-Tile-Adapters-to-convert-4x4-square-downspouts-to-4-round/161958035868?_trksid=p2141725.c100338.m3726&__trkparms=aid%3D222007%26algo%3DSIC.MBE%26ao%3D1%26asc%3D20150313114020%26meid%3D048e0db0b39143968356f886bb80f7b4%26pid%3D100338%26rk%3D7%26rkt%3D11%26sd%3D191942641833.*)  
Prinsco, Inc., "Internal Snap Coupler," <http://www.prinsco.com/prinsco-markets/fittings-accessories/internal-snap-coupler-civil-commercial-construction>; last accessed Apr. 26, 2016, 1 page.  
Prinsco, Inc., "Downspout Adapter," <http://www.prinsco.com/prinsco-markets/fittings-accessories/downspout-adapter-civil-commercial-construction>; last accessed Apr. 26, 2016, 1 page.  
Prinsco, Inc., "4" Proform Crossover Adapter," <http://www.prinsco.com/prinsco-markets/fittings-accessories/4-proform-crossover-adapter-residential-commercial-construction/>; last accessed Apr. 26, 2016, 1 page.

\* cited by examiner

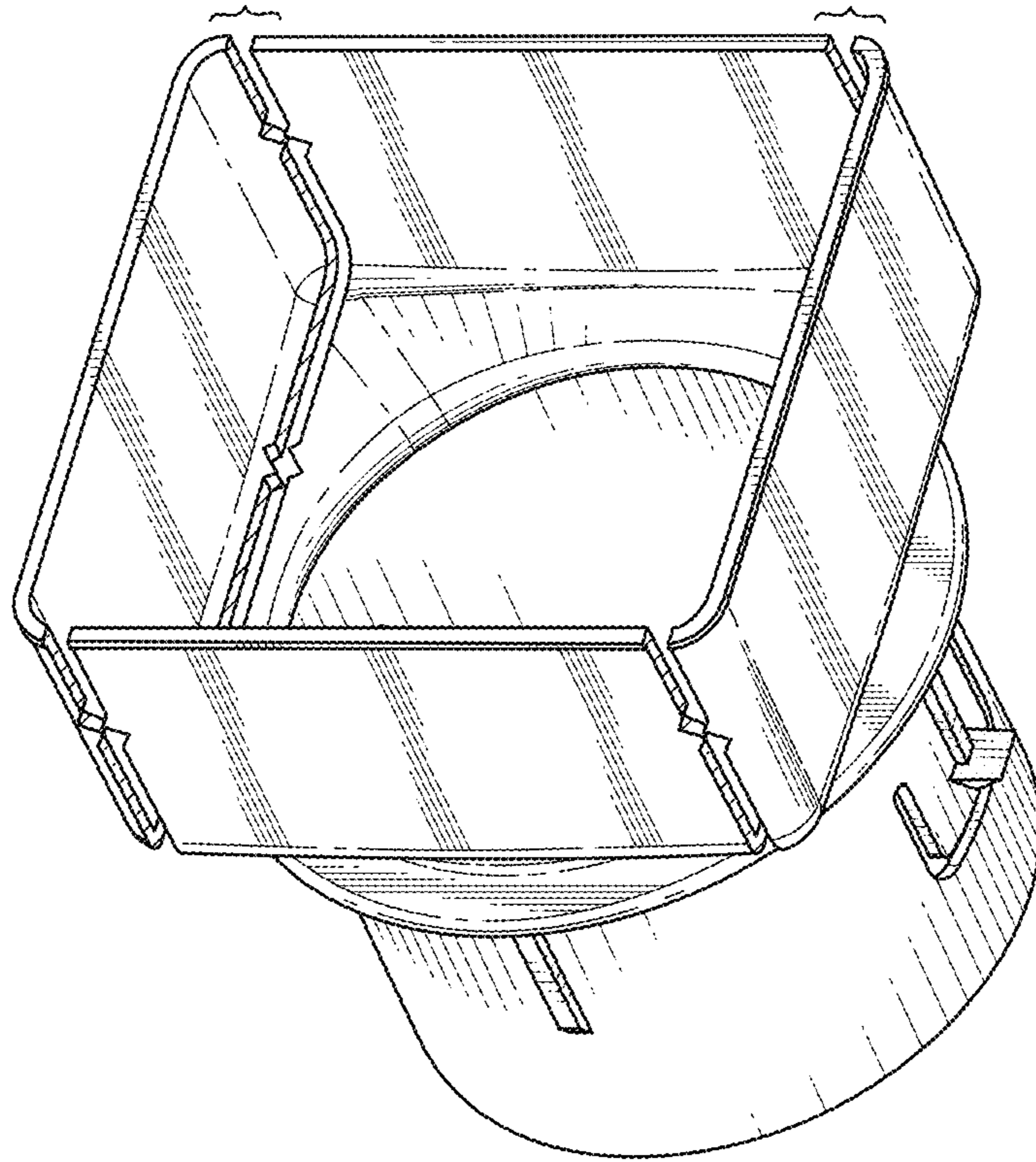


FIG. 1

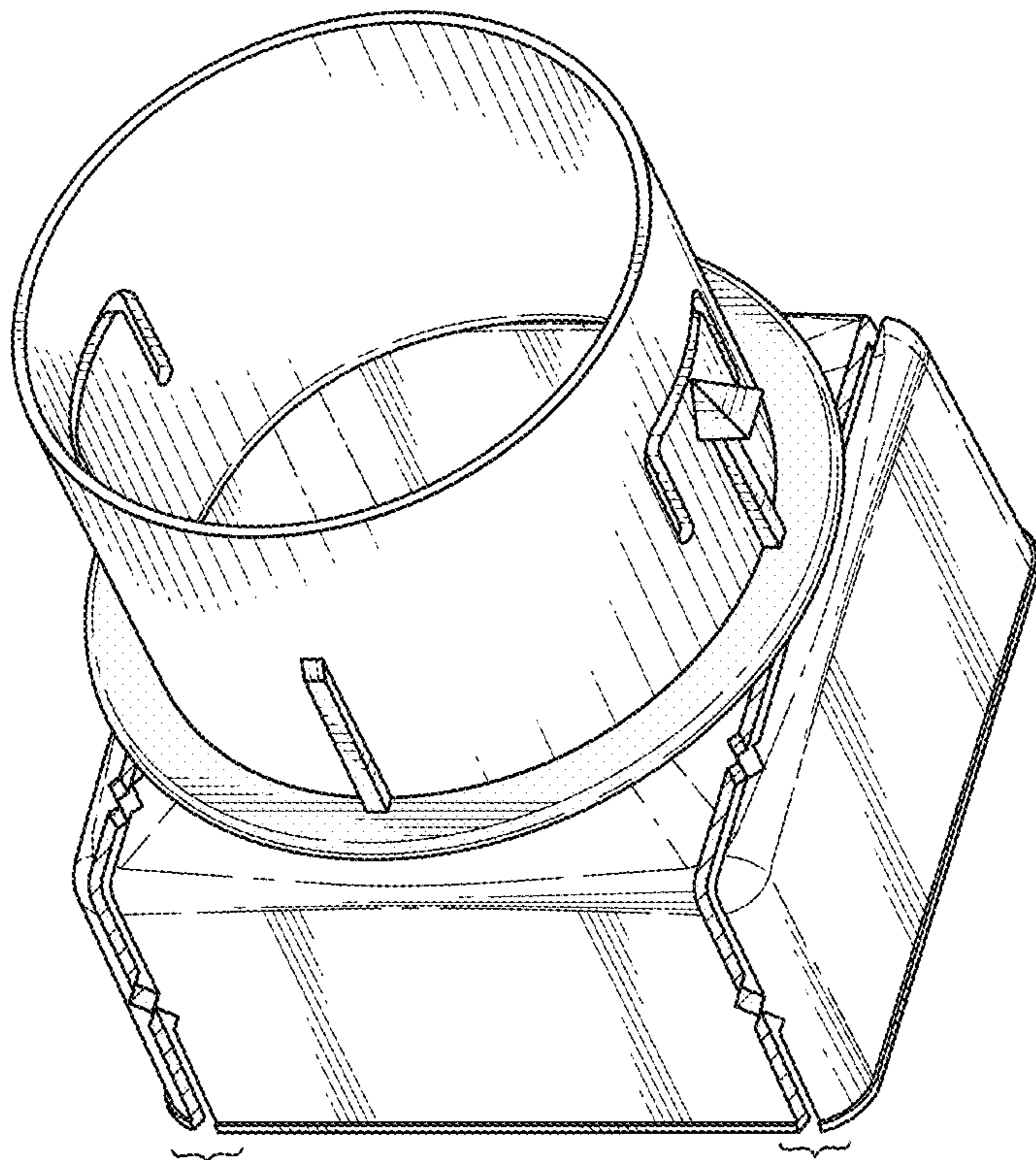


FIG. 2

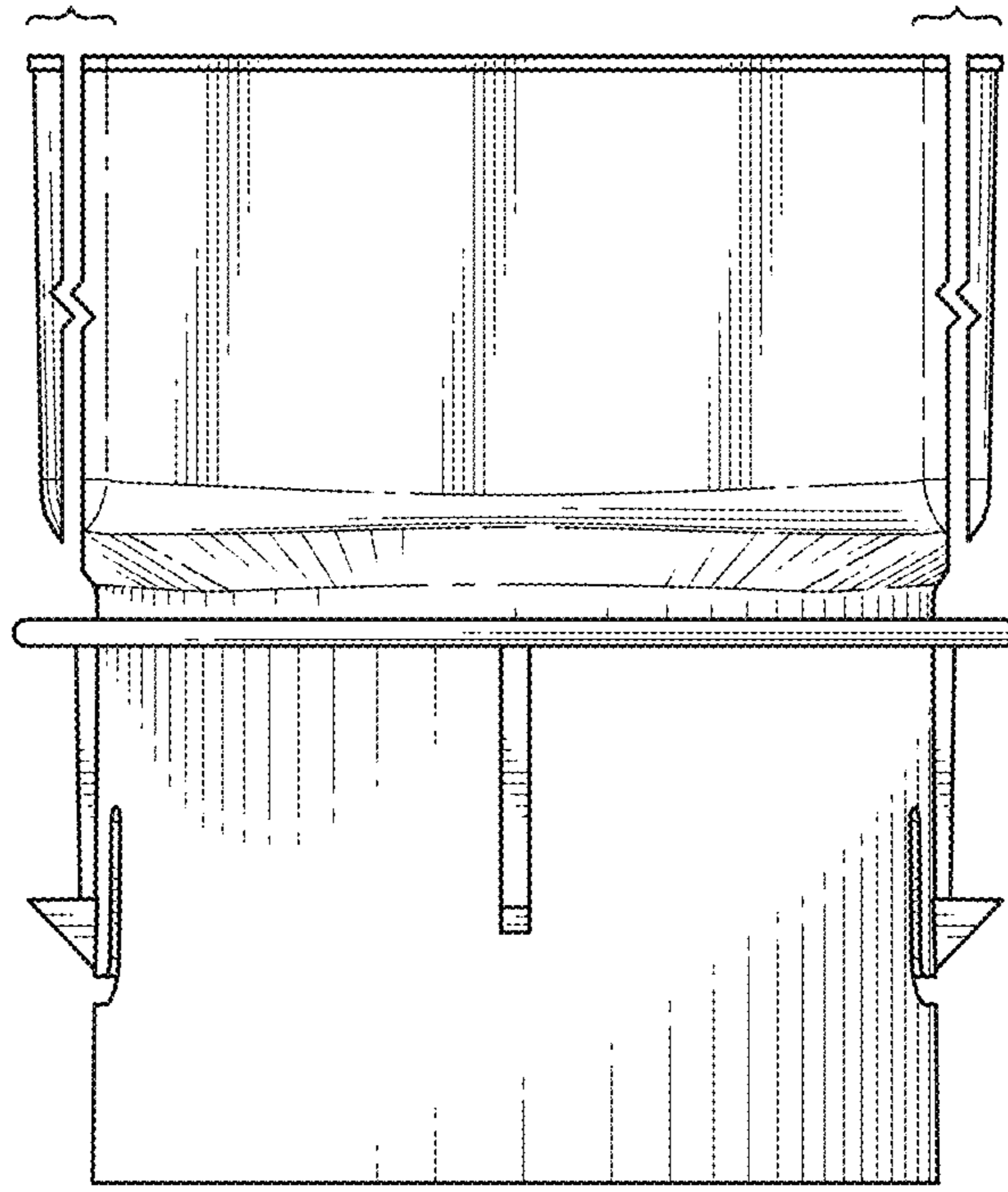


FIG. 3

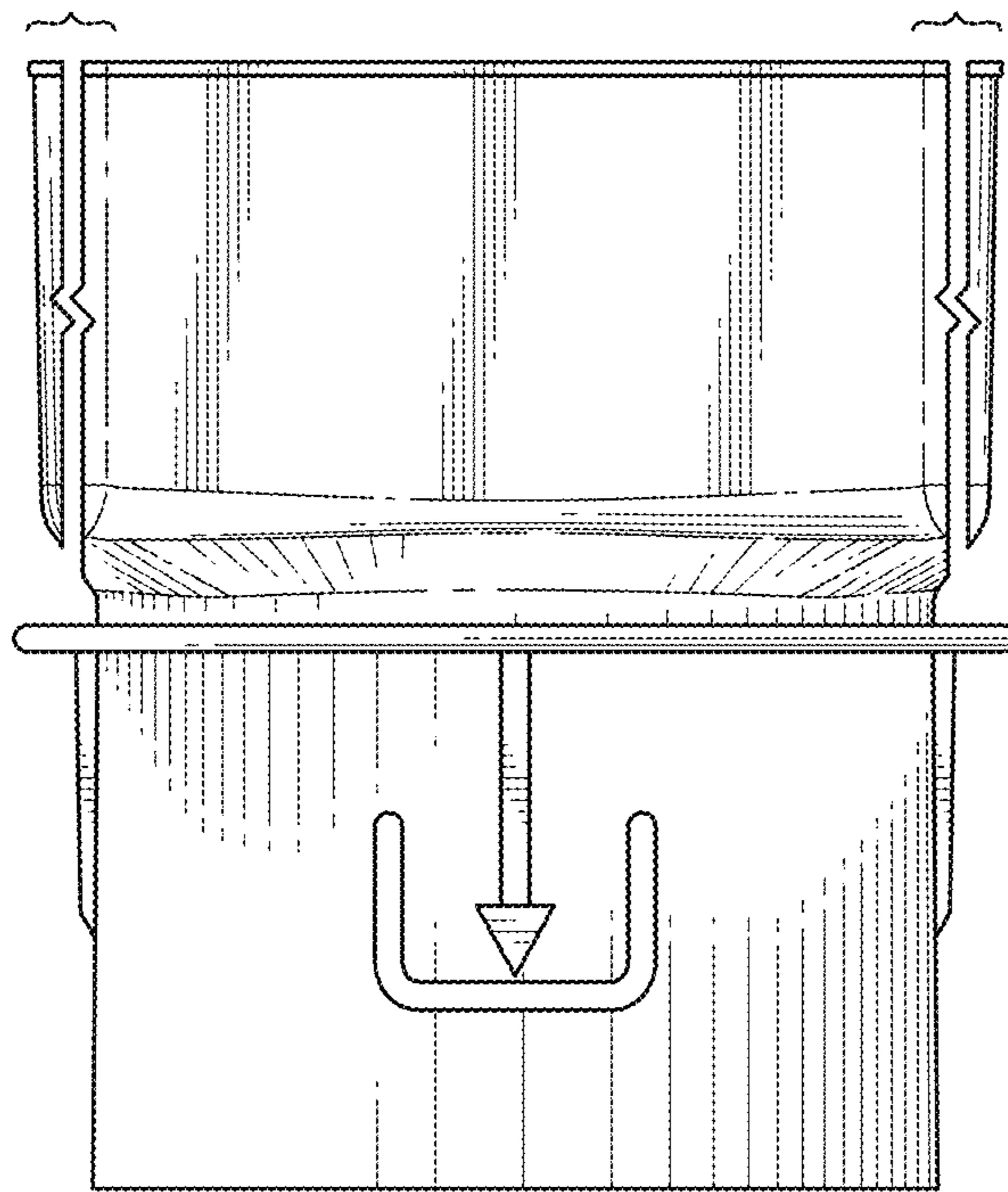


FIG. 4

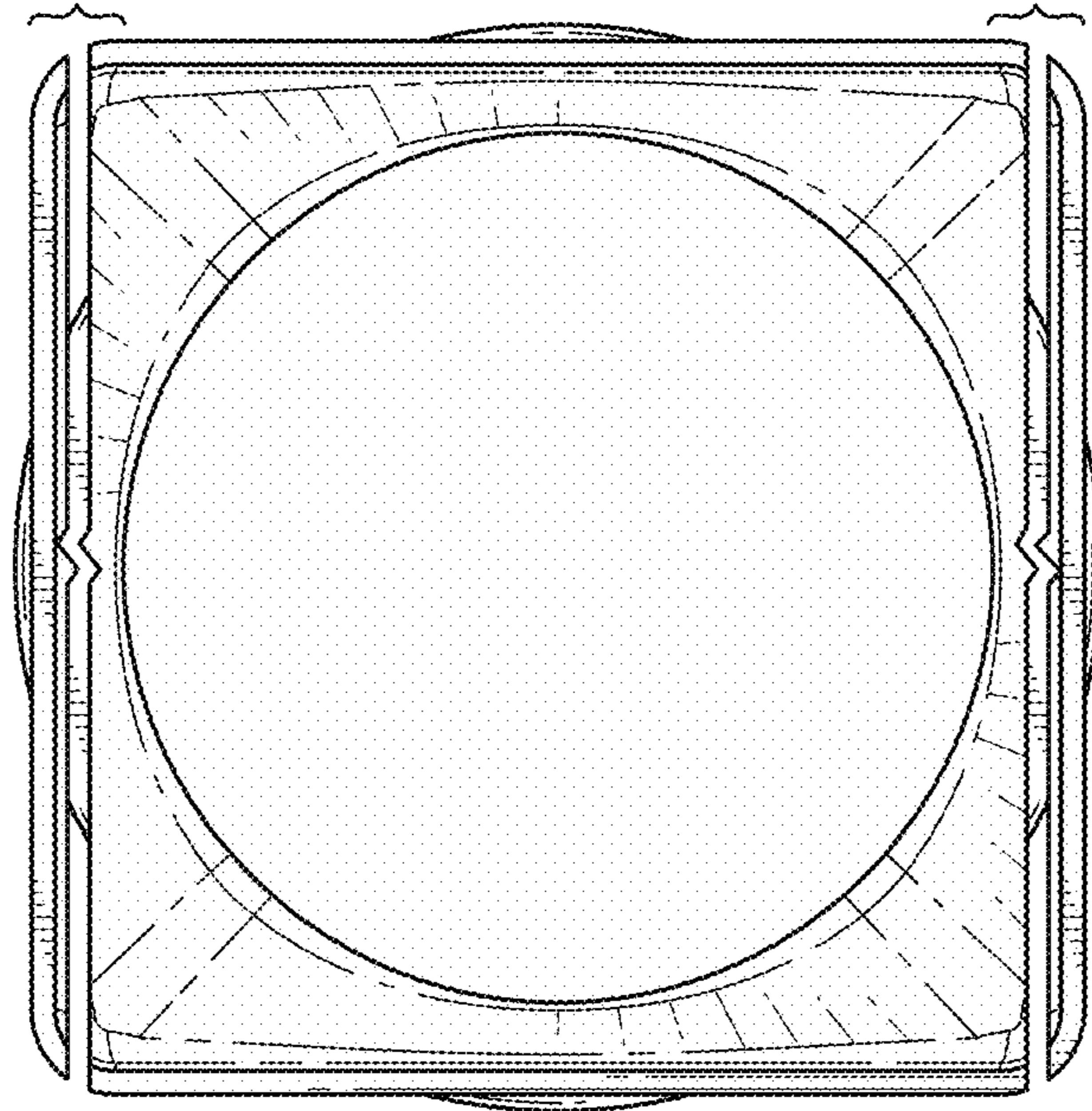


FIG. 5

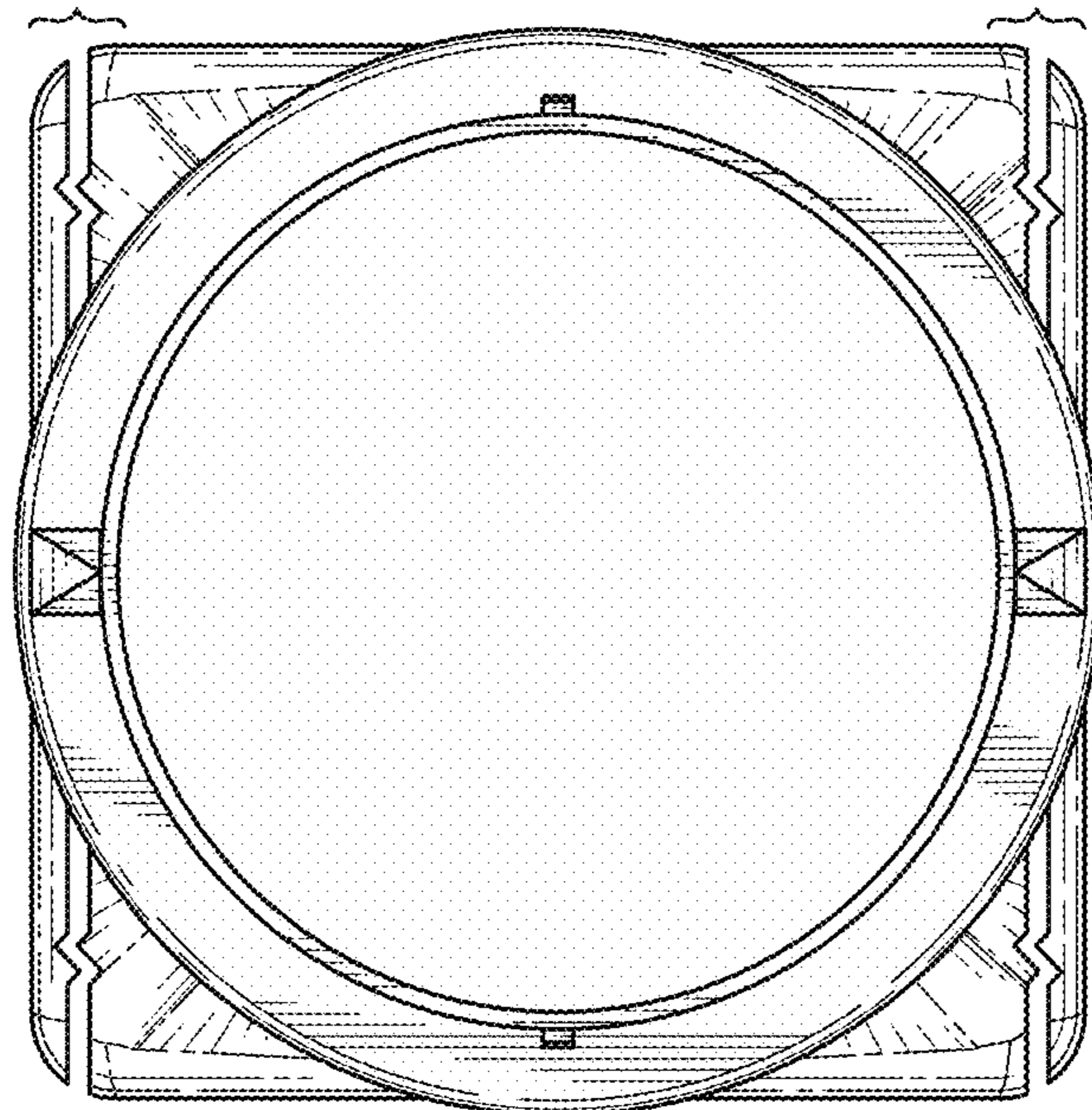


FIG. 6