



US00D780891S

(12) **United States Design Patent**
Endo

(10) **Patent No.:** **US D780,891 S**

(45) **Date of Patent:** **** Mar. 7, 2017**

(54) **VISCOUS FLUID DISCHARGE GUN**

D330,069 S * 10/1992 Feyen D23/226
5,887,796 A * 3/1999 Dimmer B05B 1/1681
239/444

(71) Applicant: **ANEST IWATA Corporation**,
Yokohama-shi, Kanagawa (JP)

D475,436 S * 6/2003 Kuo D23/223

D541,377 S * 4/2007 Chen D23/223

(72) Inventor: **Takeshi Endo**, Yokohama (JP)

D619,204 S * 7/2010 Chen D23/223

D755,925 S * 5/2016 Park D15/7

(73) Assignee: **ANEST IWATA CORPORATION**,
Yokohama-Shi, Kanagawa (JP)

D760,351 S * 6/2016 Weidmann D23/226

* cited by examiner

(**) Term: **15 Years**

Primary Examiner — Robin V Webster

(21) Appl. No.: **29/547,289**

(74) *Attorney, Agent, or Firm* — Leydig, Voit & Mayer

(22) Filed: **Dec. 2, 2015**

(57) **CLAIM**

(30) **Foreign Application Priority Data**

The ornamental design for a viscous fluid discharge gun, as shown and described.

Jun. 12, 2015 (JP) 2015-013091

DESCRIPTION

(51) **LOC (10) Cl.** **23-01**

(52) **U.S. Cl.**
USPC **D23/226**

(58) **Field of Classification Search**
USPC D23/213, 223, 226; 239/526; 4/615
CPC B05B 1/005; B05B 1/3013; B05B 9/01
See application file for complete search history.

FIG. 1 is a front view of a viscous fluid discharge gun of the present invention.

FIG. 2 is a rear view thereof.

FIG. 3 is a top plan view thereof.

FIG. 4 is a bottom view thereof.

FIG. 5 is a right side view thereof.

FIG. 6 is a left side view thereof.

FIG. 7 is a perspective view thereof; and,

FIG. 8 is a reference view thereof, showing the occasion of use.

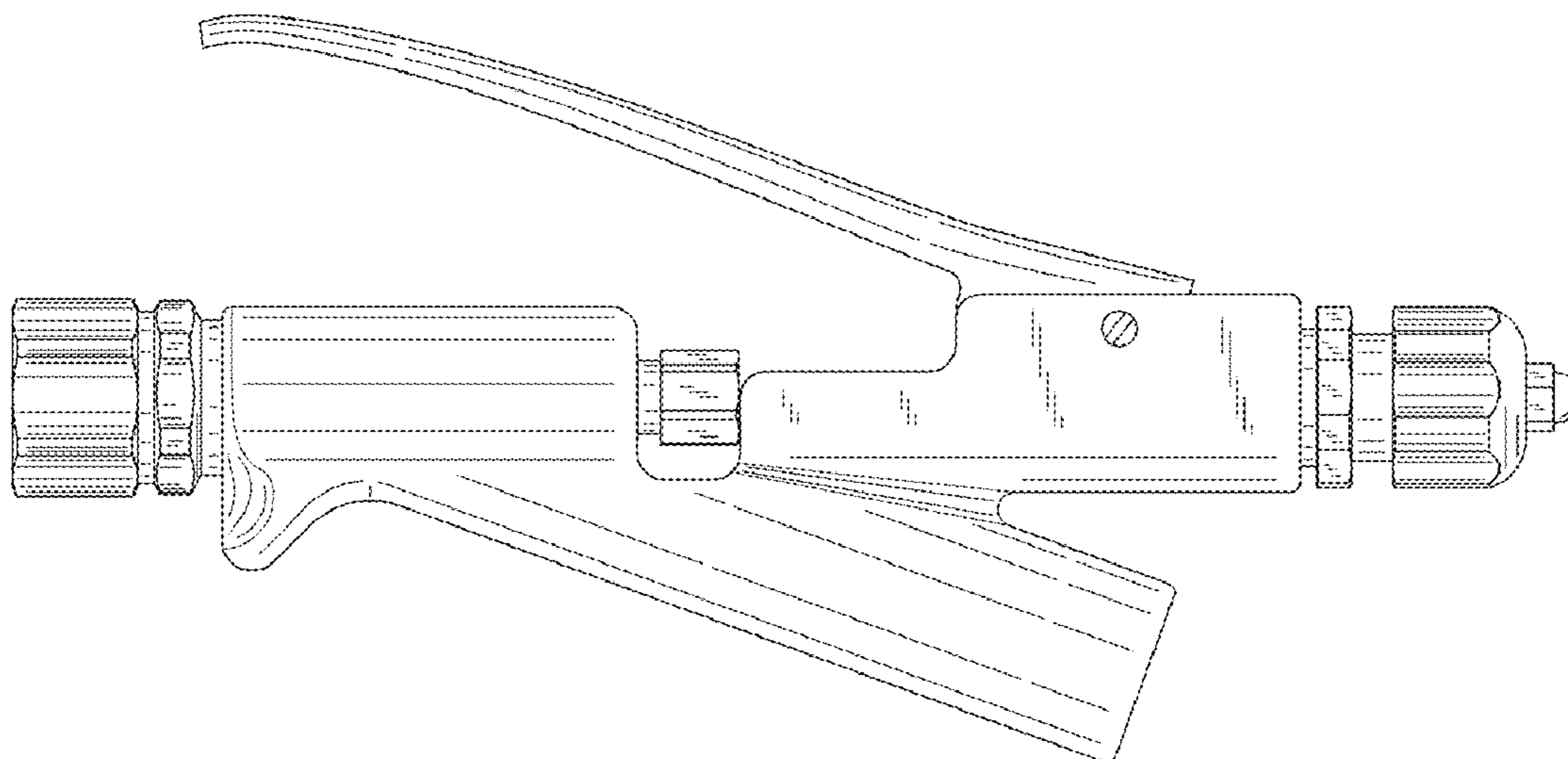
The features shown in broken lines depict environmental subject matter only and form no part of the claimed design.

(56) **References Cited**

U.S. PATENT DOCUMENTS

2,291,049 A * 7/1942 Magnuson F16K 21/04
251/237
4,225,087 A * 9/1980 Lawlor B05B 12/002
239/526

1 Claim, 8 Drawing Sheets



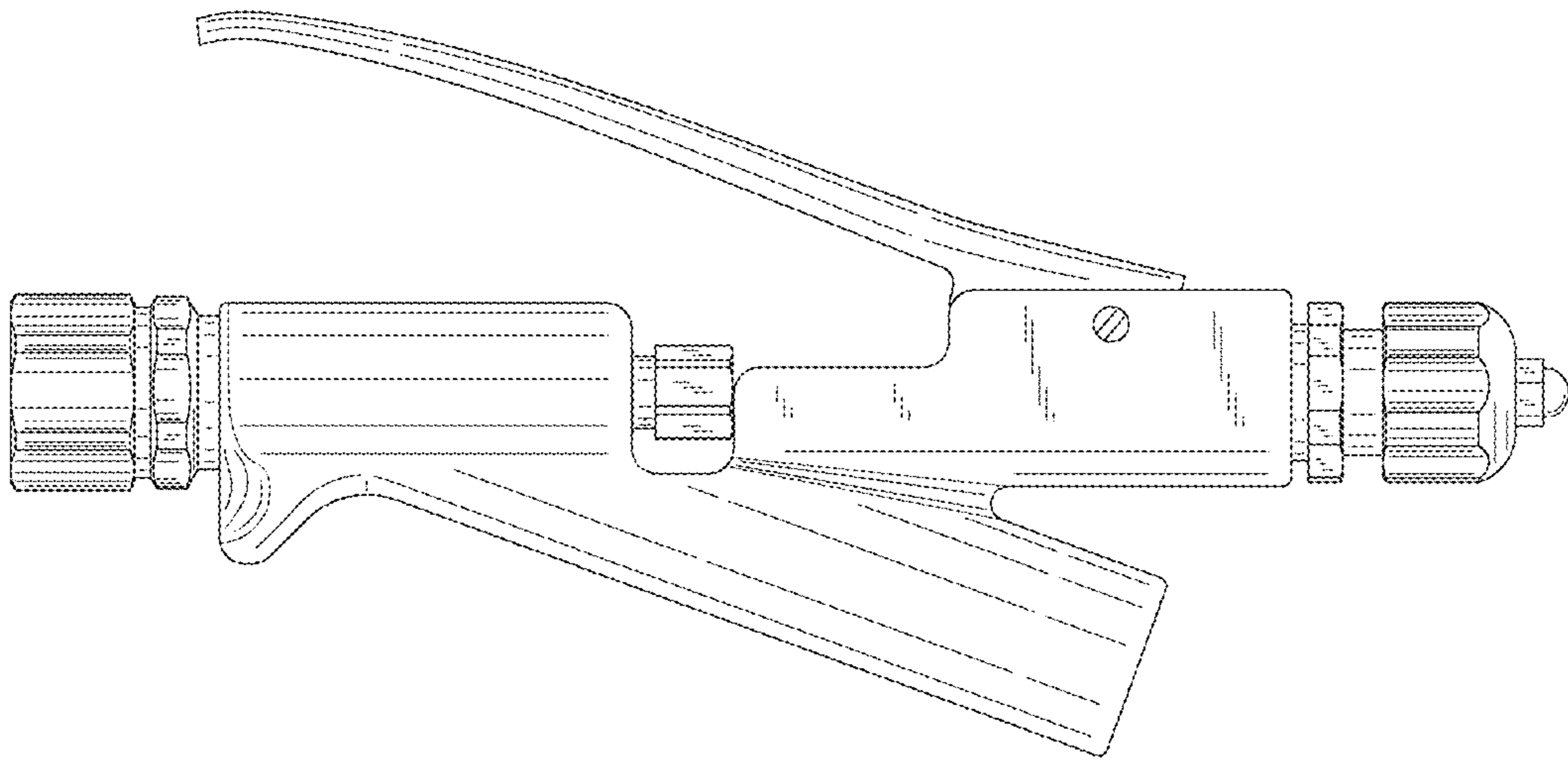


FIG. 1

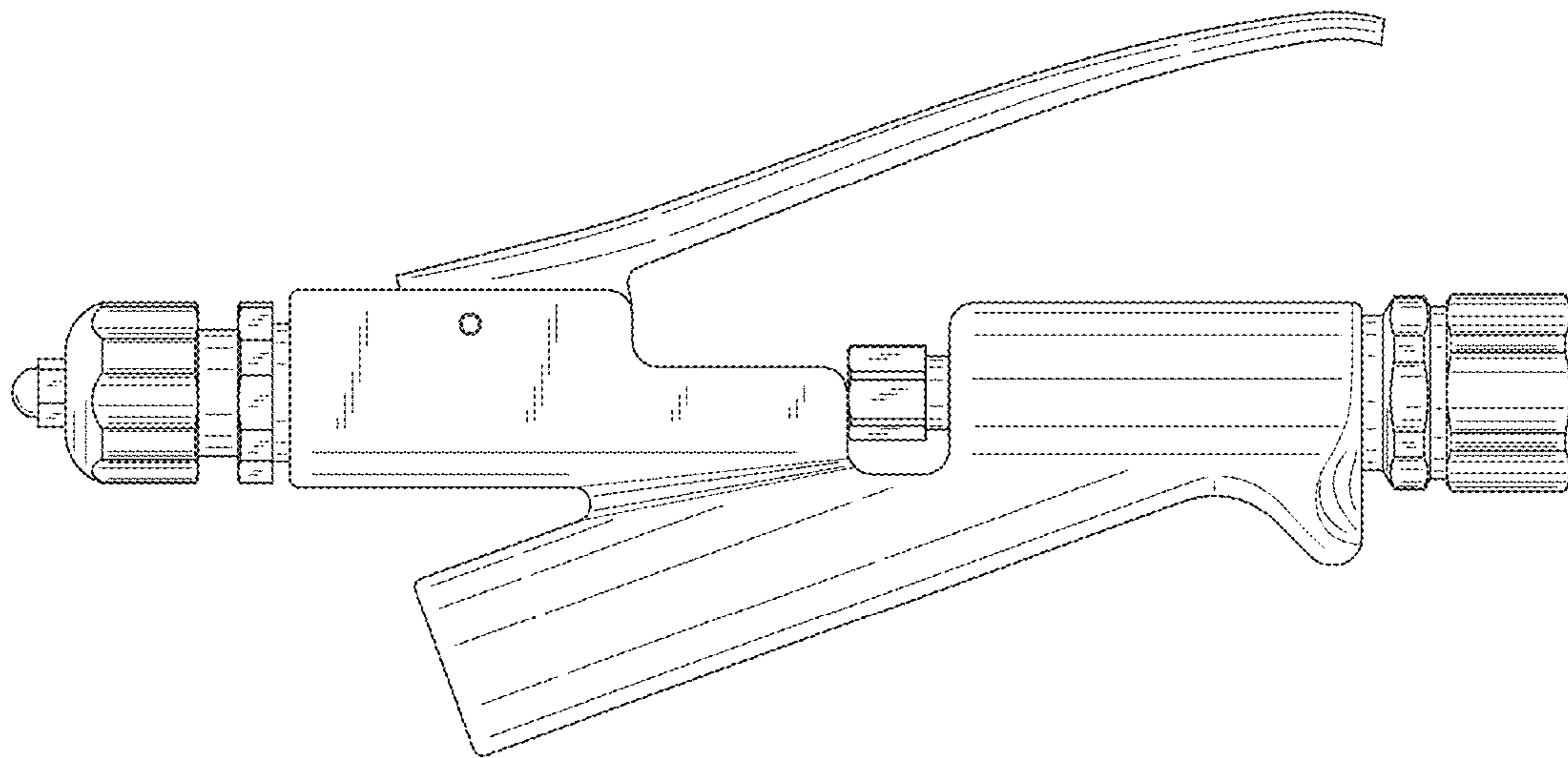


FIG. 2

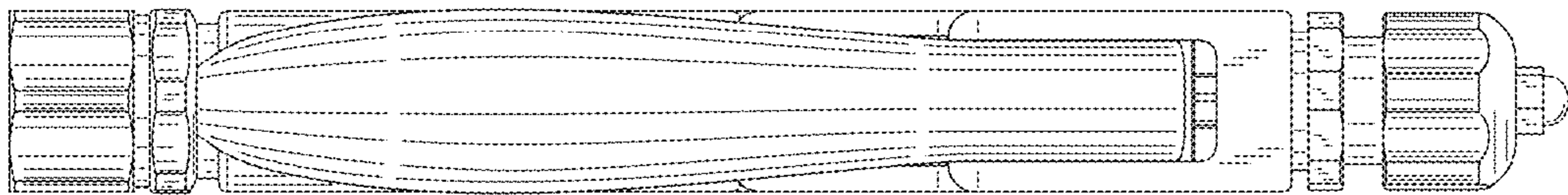


FIG. 3

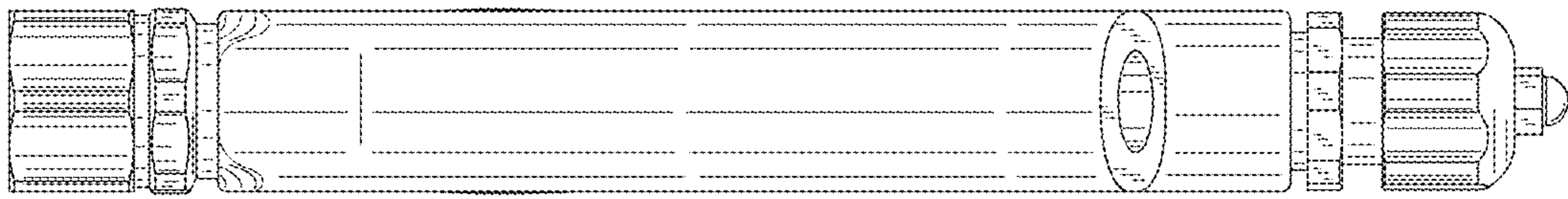


FIG. 4

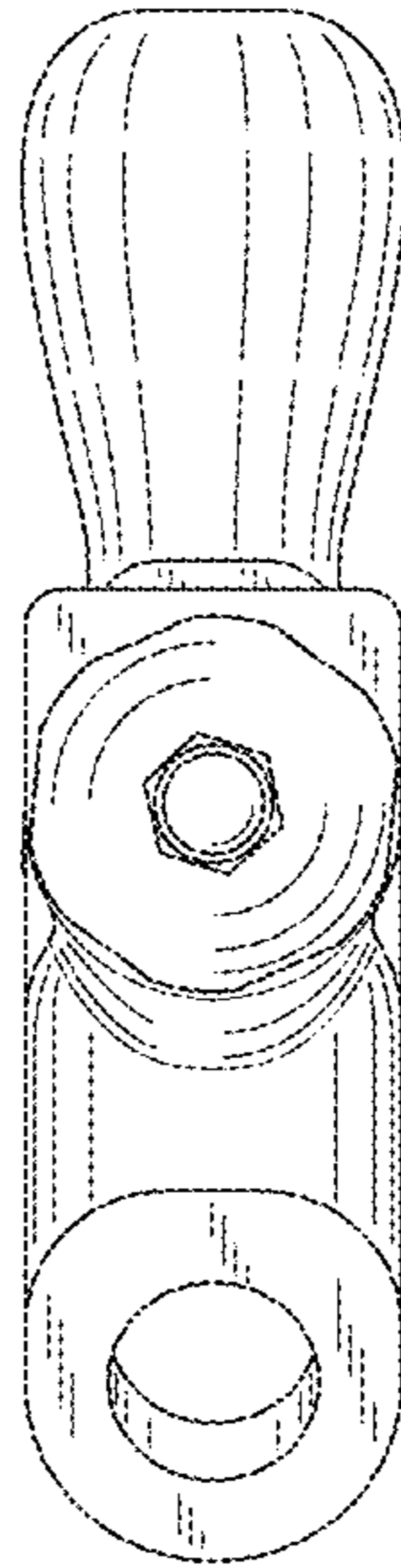


FIG. 5

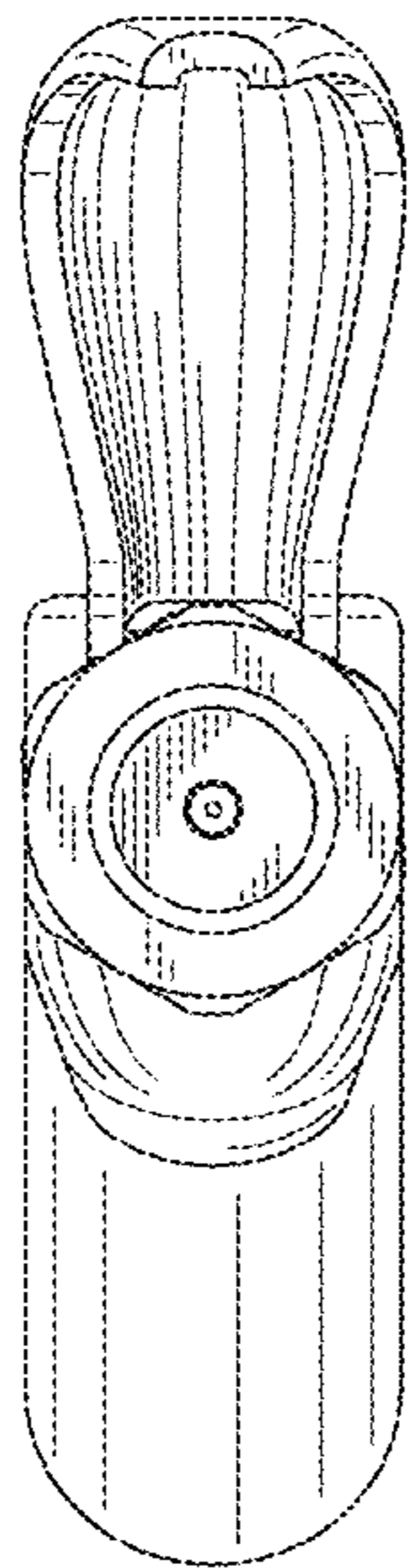


FIG. 6

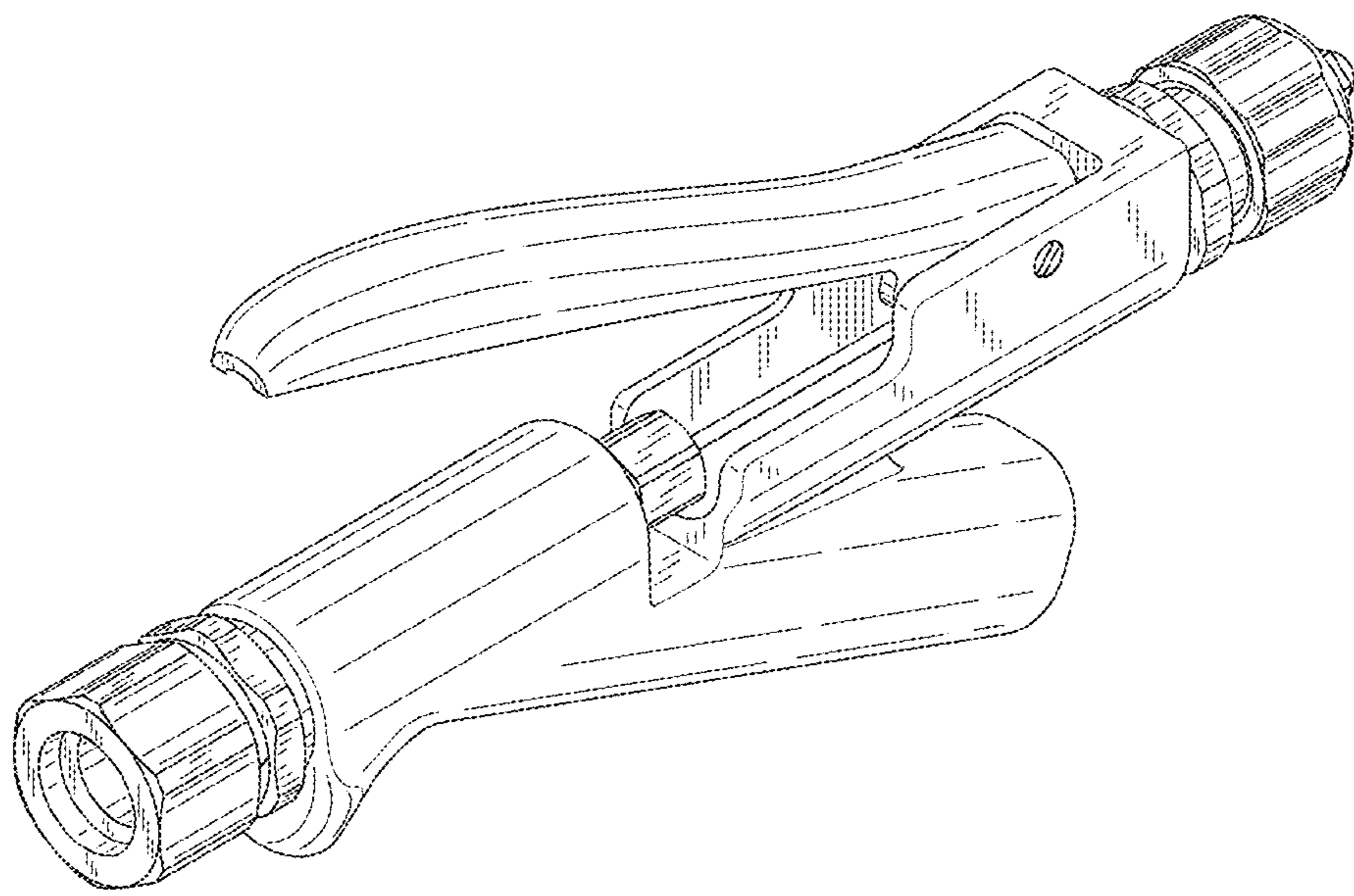


FIG. 7

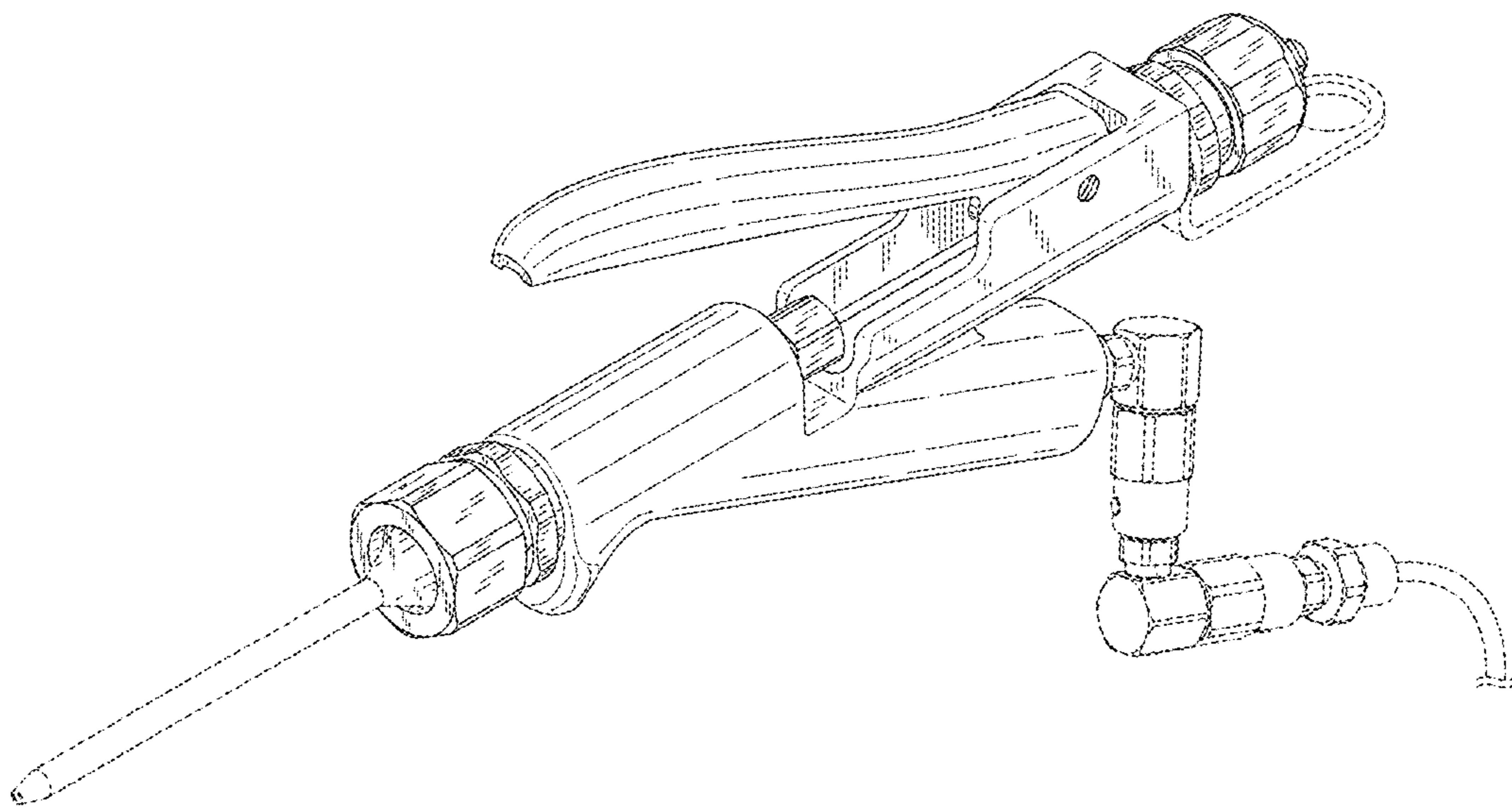


FIG. 8