



US00D780889S

(12) **United States Design Patent**
Sasaki

(10) **Patent No.:** **US D780,889 S**
(45) **Date of Patent:** **** Mar. 7, 2017**

(54) **LINK FOR SPRINKLER HEAD**
(71) Applicant: **Senju Sprinkler Co., Ltd.**, Tokyo (JP)
(72) Inventor: **Kuratoshi Sasaki**, Tokyo (JP)
(73) Assignee: **SENJU SPRINKLER CO., LTD.**,
Tokyo (JP)
(**) Term: **15 Years**

1,524,611 A * 1/1925 Alexander A62C 37/12
169/42
1,539,311 A * 5/1925 Hodgman A62C 37/12
169/42
RE16,136 E * 8/1925 Hopkins A62C 37/12
169/42
1,934,279 A * 11/1933 Rockwood A62C 37/12
169/42
3,061,016 A * 10/1962 Hodgman, Jr. A62C 37/12
169/42
4,055,829 A * 10/1977 Ruegsegger A62C 37/12
169/42

(21) Appl. No.: **29/547,687**

(Continued)

(22) Filed: **Dec. 7, 2015**

FOREIGN PATENT DOCUMENTS

(30) **Foreign Application Priority Data**

JP 1331582 S 4/2008
JP 1331588 S 4/2008

Oct. 8, 2015 (JP) 2015-022139

(51) **LOC (10) Cl.** **23-01**

(52) **U.S. Cl.**
USPC **D23/221**

(58) **Field of Classification Search**
USPC D23/202, 207, 210, 221, 223, 214, 209
CPC A62C 37/12; A62C 35/68; B65G 64/04;
B65G 1/00; B65D 85/00; B65D
1/00; B65D 88/54; B05B 7/2416; B05B
7/2483; C02F 1/003; C02F 1/283; C02F
9/005; A01K 63/045

See application file for complete search history.

(56) **References Cited**

U.S. PATENT DOCUMENTS

1,084,710 A 1/1914 Rockwood
1,191,919 A * 7/1916 Hawkins A62C 37/12
169/42
1,300,046 A 4/1919 Teague
1,308,075 A * 7/1919 Hopkins A62C 37/12
169/42
1,339,829 A * 5/1920 Lewis A62C 37/12
169/42

Primary Examiner — Robin V Webster

Assistant Examiner — Rachel Voorhies

(74) *Attorney, Agent, or Firm* — Cermak Nakajima &
McGowan LLP; Tomoko Nakajima

(57) **CLAIM**

The ornamental design for link for sprinkler head, as shown
and described.

DESCRIPTION

FIG. 1 is a front elevational view of a link for sprinkler head
showing my new design;

FIG. 2 is a rear elevational view thereof;

FIG. 3 is a right side elevational view thereof; left side
elevational view thereof being a mirror image;

FIG. 4 is a top plan view thereof;

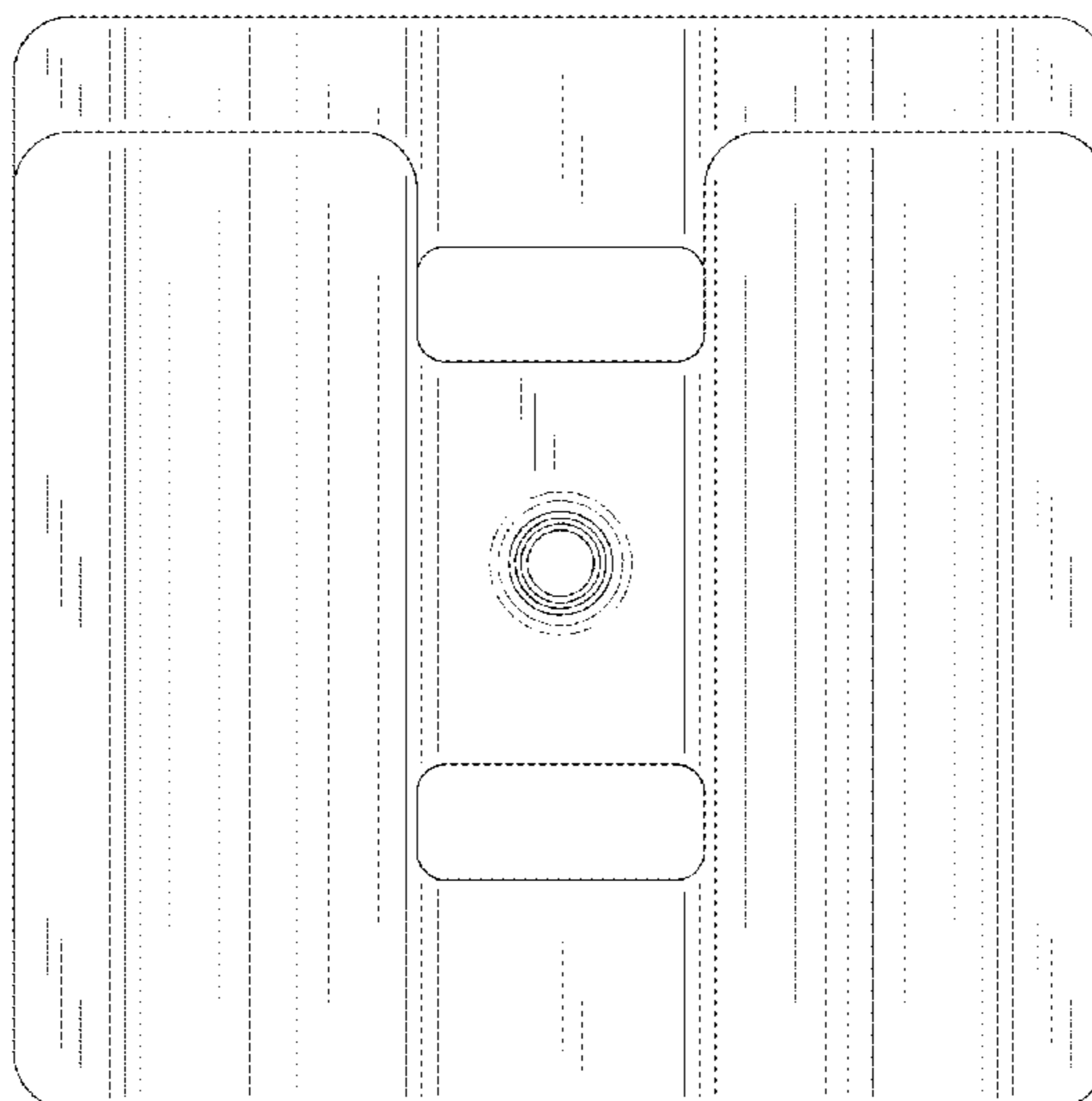
FIG. 5 is a bottom plan view thereof; and

FIG. 6 is a front perspective view thereof.

FIG. 7 is a cross-section view taken along the line 7-7 shown
in FIG. 2; and,

FIG. 8 is a cross-section view taken along the line 8-8 shown
in FIG. 2.

1 Claim, 8 Drawing Sheets



(56)

References Cited

U.S. PATENT DOCUMENTS

4,273,195	A *	6/1981	Fischer	A62C 37/12 169/39
D277,776	S *	2/1985	Lemkin	D23/221
D286,670	S *	11/1986	Lemkin	D23/221
4,757,865	A *	7/1988	Simons	A62C 37/12 169/39
4,893,679	A	1/1990	Martin et al.	
5,120,152	A *	6/1992	Gueli	A62C 37/12 169/42
D424,157	S *	5/2000	Pergard	D23/207
D432,207	S *	10/2000	Hsin-Fa	D23/214
D452,295	S *	12/2001	Ricketts	D23/207
D599,878	S *	9/2009	Costanzo	D23/207
D667,079	S *	9/2012	Polan	D23/214
2009/0056958	A1 *	3/2009	Polan	A62C 37/12 169/40
2010/0059235	A1 *	3/2010	Feenstra	A62C 37/12 169/42
2010/0236797	A1 *	9/2010	VanEerden	A62C 37/12 169/51
2010/0263883	A1 *	10/2010	Abels	A62C 31/02 169/37
2010/0294521	A1 *	11/2010	Thompson	A62C 37/12 169/57
2012/0103637	A1 *	5/2012	Karihara	A62C 35/68 169/19
2014/0076588	A1 *	3/2014	Prociuous	A62C 3/006 169/52
2015/0297927	A1 *	10/2015	Pipe	A62C 35/68 169/37
2016/0023029	A1 *	1/2016	Almeida	A62C 37/09 169/37

* cited by examiner

Fig. 1

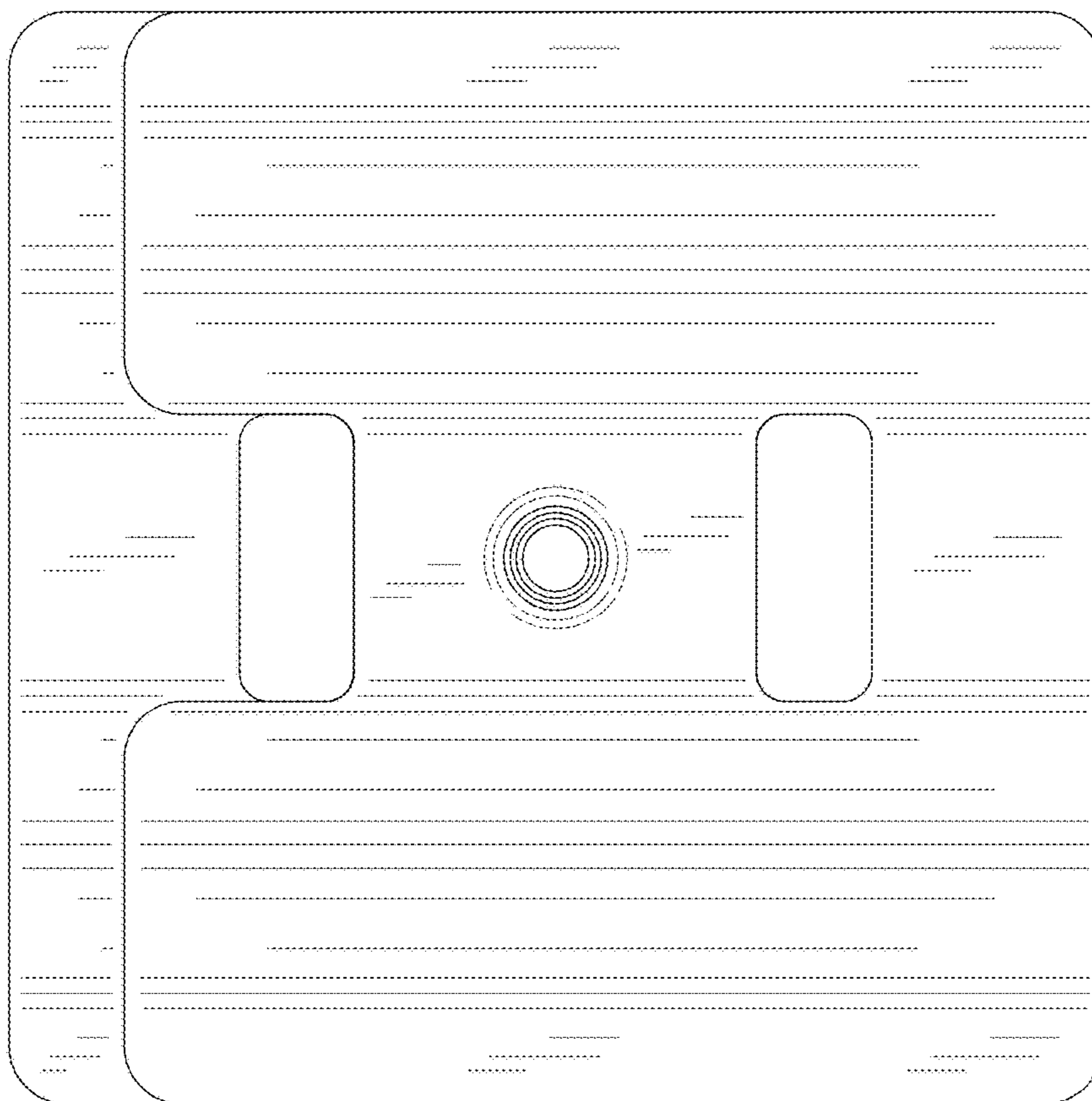


Fig. 2

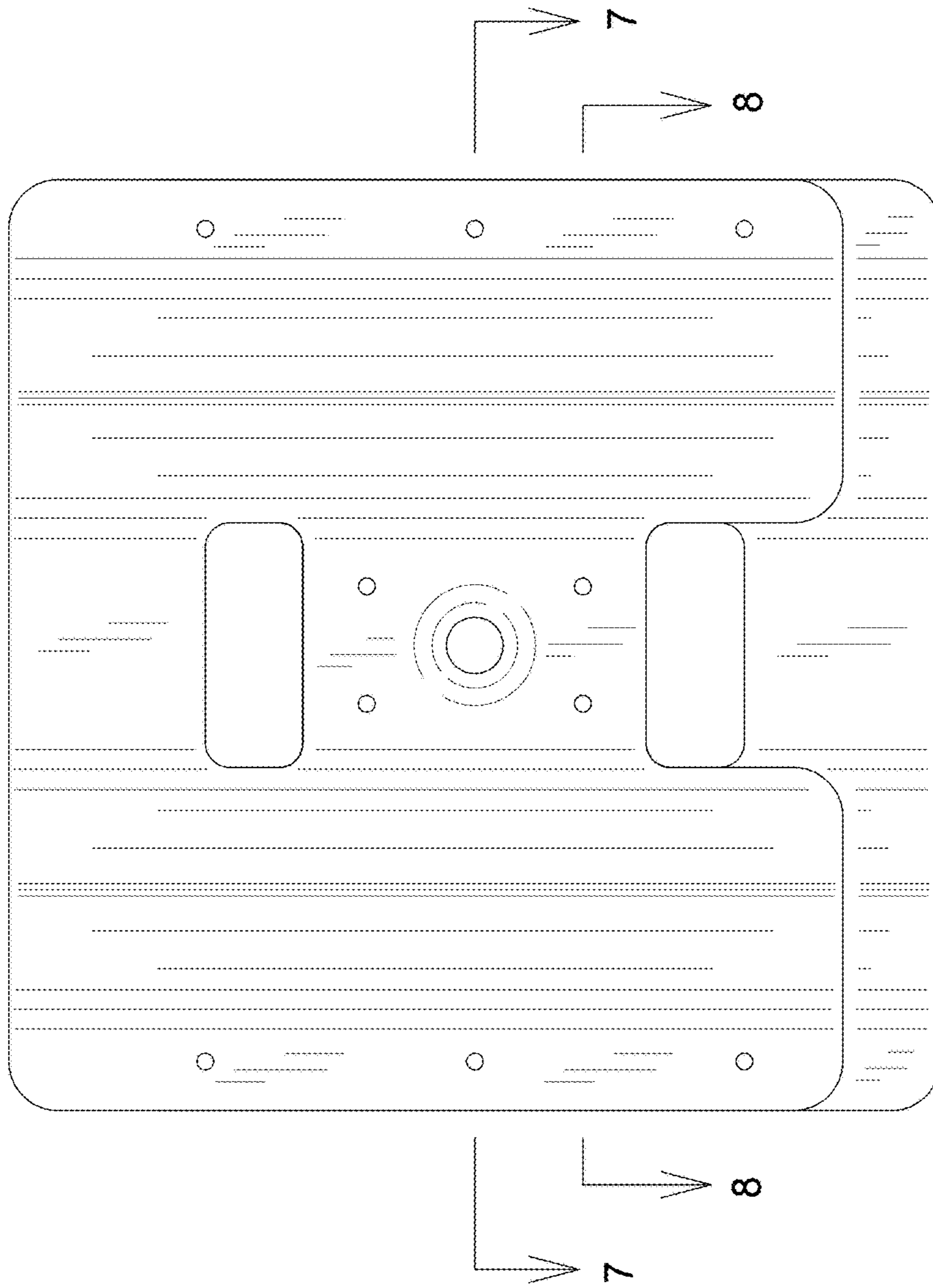


Fig. 3

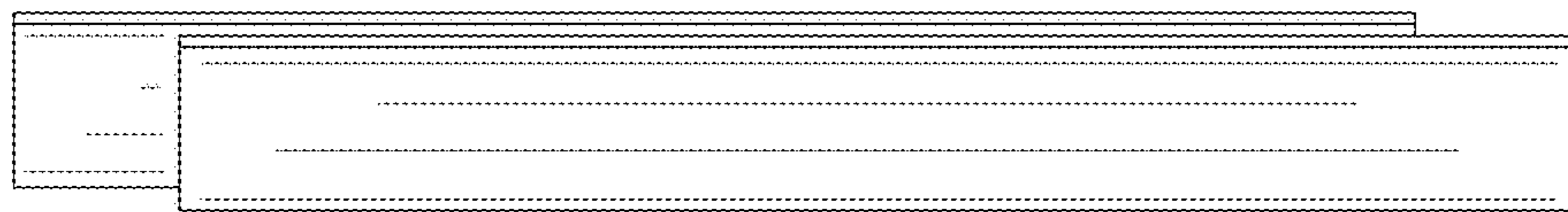


Fig. 4

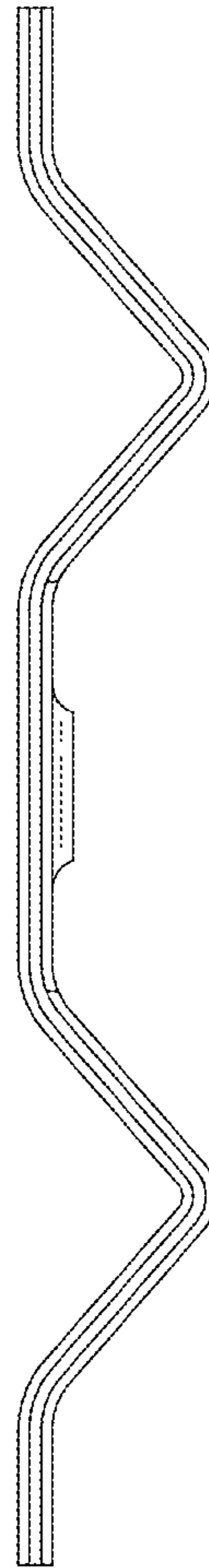
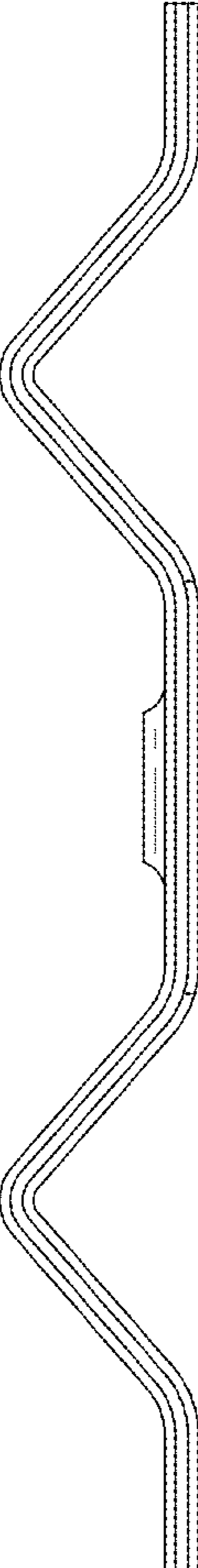


Fig. 5



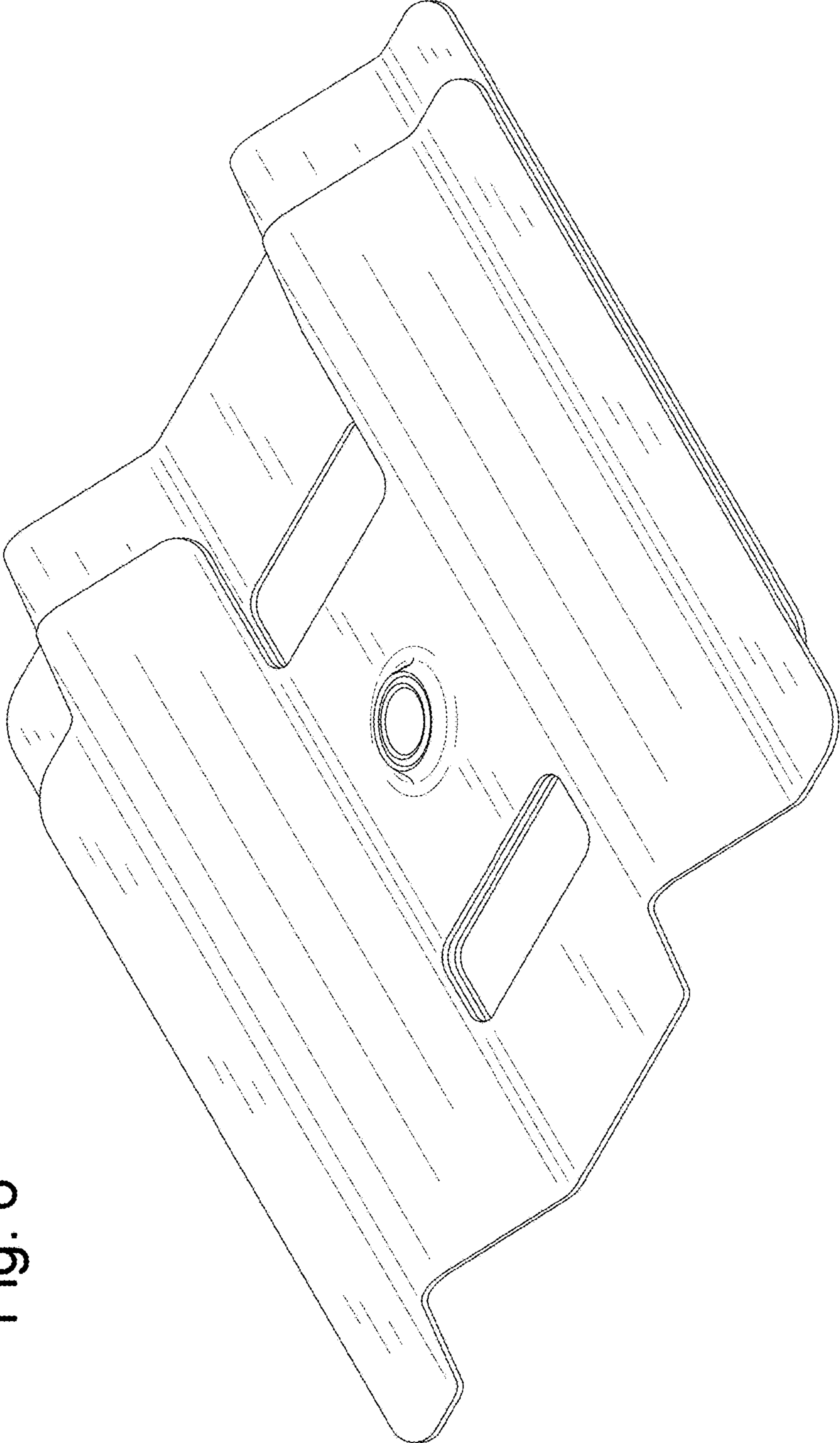


Fig. 6

Fig. 7

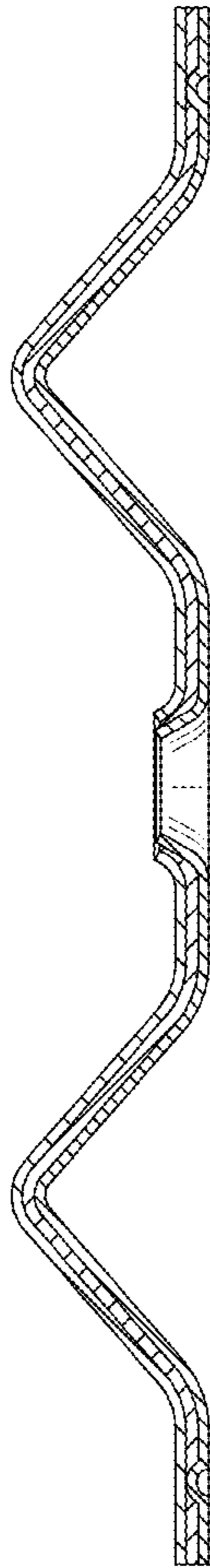


Fig. 8

