



US00D780887S

(12) **United States Design Patent**  
**Huda et al.**

(10) **Patent No.:** **US D780,887 S**  
(45) **Date of Patent:** **\*\* Mar. 7, 2017**

(54) **FILTER CARTRIDGE WITH HANDLE END**

(71) Applicant: **KX Technologies LLC**, West Haven, CT (US)

(72) Inventors: **Stephen P. Huda**, Shelton, CT (US);  
**Erik R. Klimpel**, Woodbury, MN (US);  
**Michael J. Sherman**, Woodbury, MN (US)

(73) Assignee: **KX Technologies, LLC**, West Haven, CT (US)

(\*\*) Term: **15 Years**

(21) Appl. No.: **29/544,124**

(22) Filed: **Oct. 30, 2015**

**Related U.S. Application Data**

(60) Division of application No. 29/502,971, filed on Sep. 22, 2014, now Pat. No. Des. 752,707, which is a continuation-in-part of application No. 13/907,200, filed on May 31, 2013, now Pat. No. 9,469,551.

(51) **LOC (10) Cl.** ..... **23-01**

(52) **U.S. Cl.**  
USPC ..... **D23/209**

(58) **Field of Classification Search**

USPC ..... D23/207, 209, 262, 259, 265; 210/232, 210/234, 236, 418, 493.2, 450; D8/382; 285/360, 361

CPC ..... B01D 2201/291; B01D 2201/293; B01D 2201/296; B01D 2201/298; B01D 2201/301–2201/306; B01D 35/153; B01D 35/157; B01D 35/30; B01D 29/111

See application file for complete search history.

(56) **References Cited**

U.S. PATENT DOCUMENTS

5,045,192 A \* 9/1991 Terhune ..... B01D 29/15  
210/232

5,753,107 A 5/1998 Magnusson et al.

6,027,644 A 2/2000 Magnusson et al.

6,193,884 B1 2/2001 Magnusson et al.

D455,814 S 4/2002 Magnusson et al.

(Continued)

*Primary Examiner* — Robin V Webster

(74) *Attorney, Agent, or Firm* — DeLio, Peterson & Curcio, LLC; Robert Curcio

(57) **CLAIM**

We claim the ornamental design for a “filter cartridge with handle end,” as shown and described.

**DESCRIPTION**

FIG. 1 is a front view of the filter cartridge with handle end according to the present invention;

FIG. 2 is a rear view of the filter cartridge with handle end according to the present invention;

FIG. 3 is a left-side view of the filter cartridge with handle end according to the present invention;

FIG. 4 is a right-side view of the filter cartridge with handle end according to the present invention;

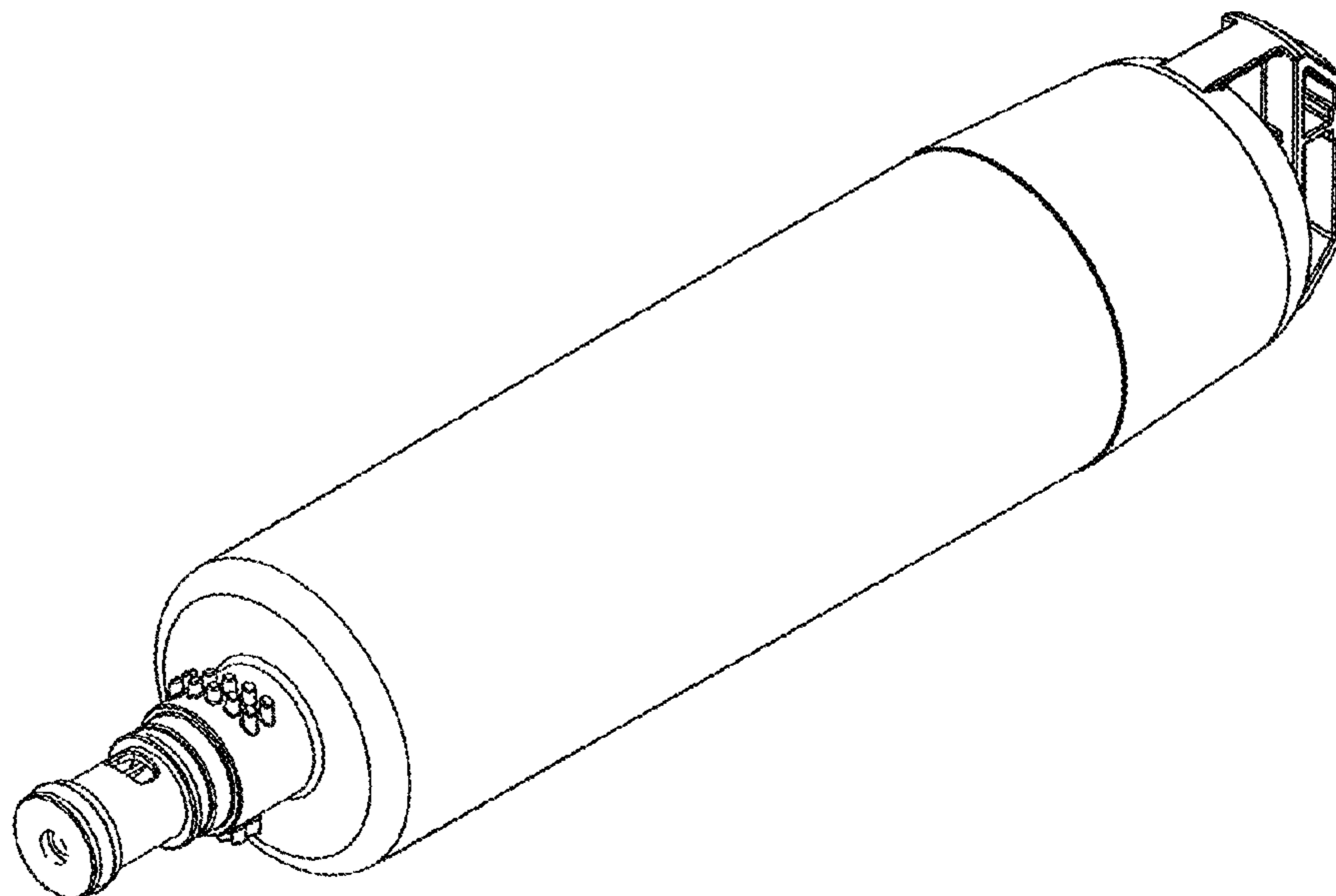
FIG. 5 is a bottom view of the filter cartridge with handle end according to the present invention;

FIG. 6 is a top view of the filter cartridge with handle end according to the present invention;

FIG. 7 is a downward perspective view of the filter cartridge with handle end according to the present invention; and,

FIG. 8 is an upward perspective view of the filter cartridge with handle end according to the present invention, rotated 90° with respect to the orientation of FIG. 5.

**1 Claim, 3 Drawing Sheets**



(56)

**References Cited**

U.S. PATENT DOCUMENTS

6,632,355	B2	10/2003	Fritze	
6,984,319	B2 *	1/2006	Merritt .....	B01D 29/15 123/196 A
7,459,078	B2 *	12/2008	Klein .....	B01D 29/96 210/234
7,708,148	B2	5/2010	Fritze	
8,066,790	B2 *	11/2011	Hutchinson .....	B01D 29/111 210/457
8,097,158	B2 *	1/2012	Tubby .....	B01D 27/08 137/625.46
8,216,463	B1	7/2012	Baird	
8,261,919	B2 *	9/2012	Burr .....	B01D 65/00 210/321.87

\* cited by examiner

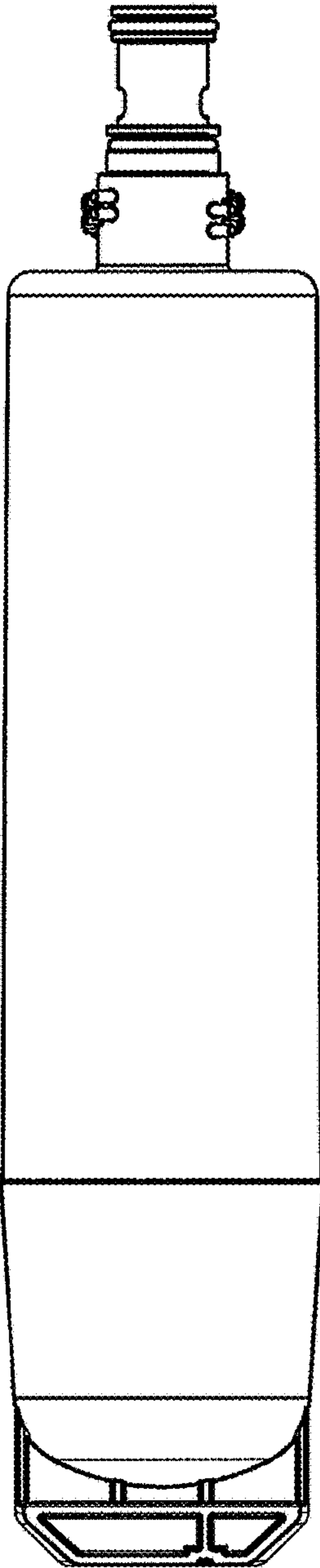


FIG. 1

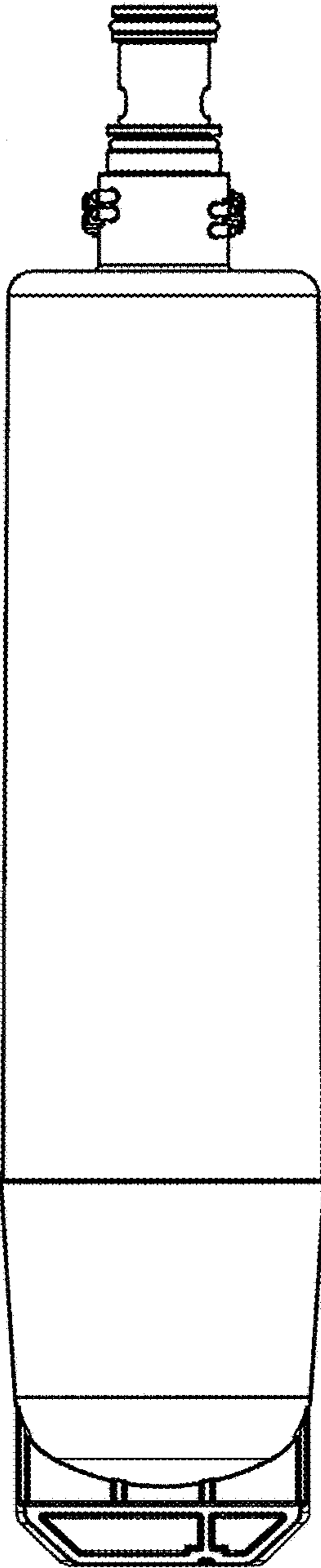


FIG. 2

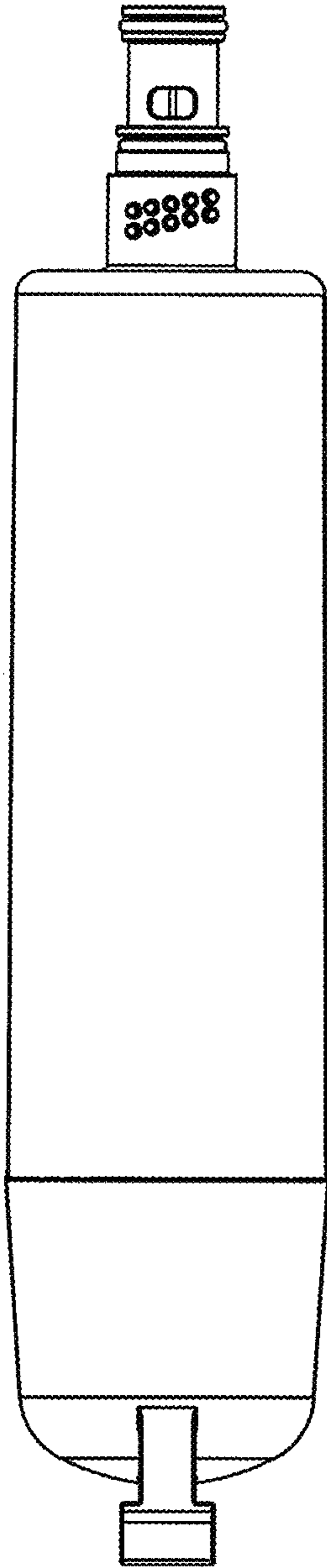


FIG. 3

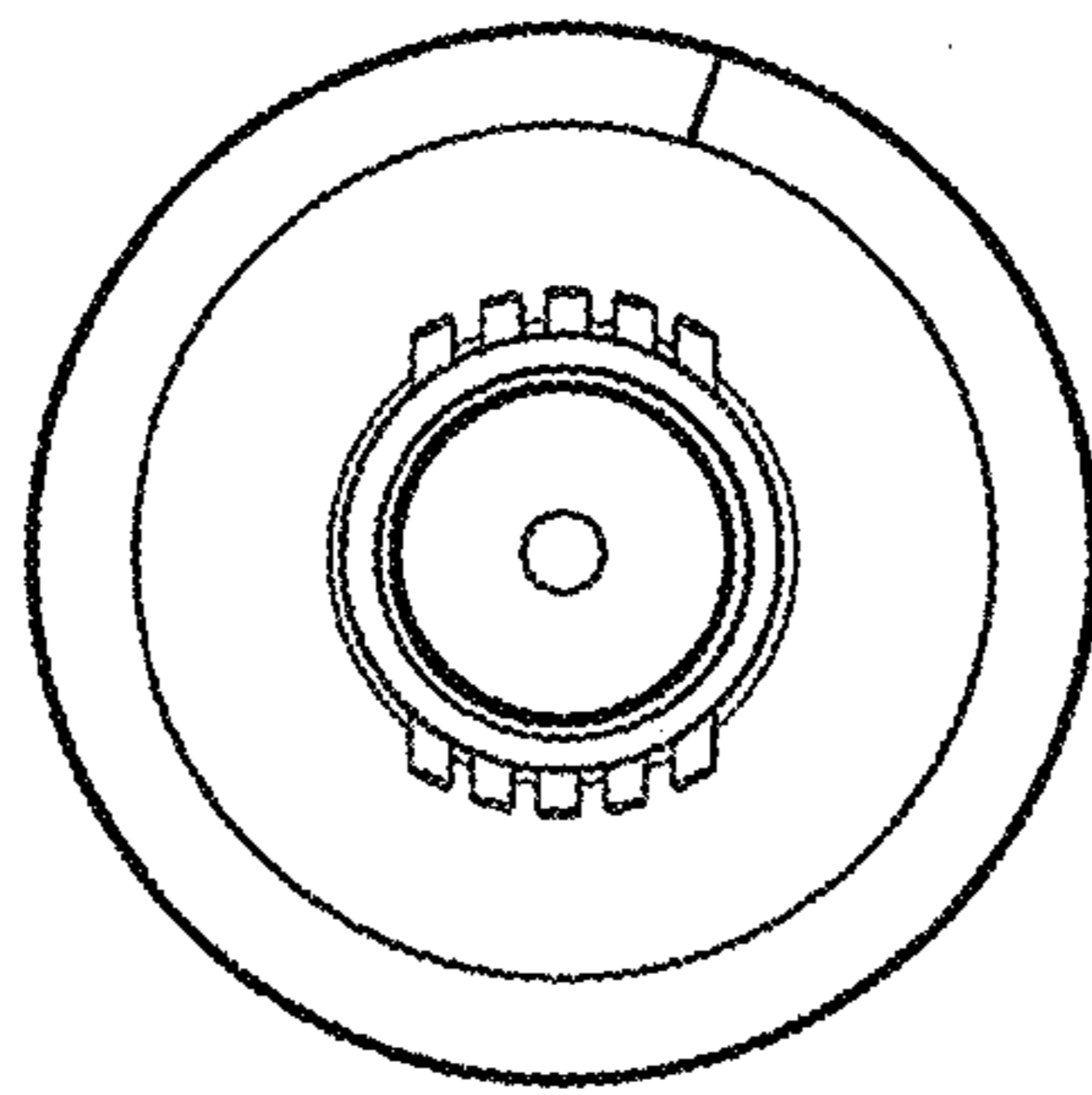


FIG. 5

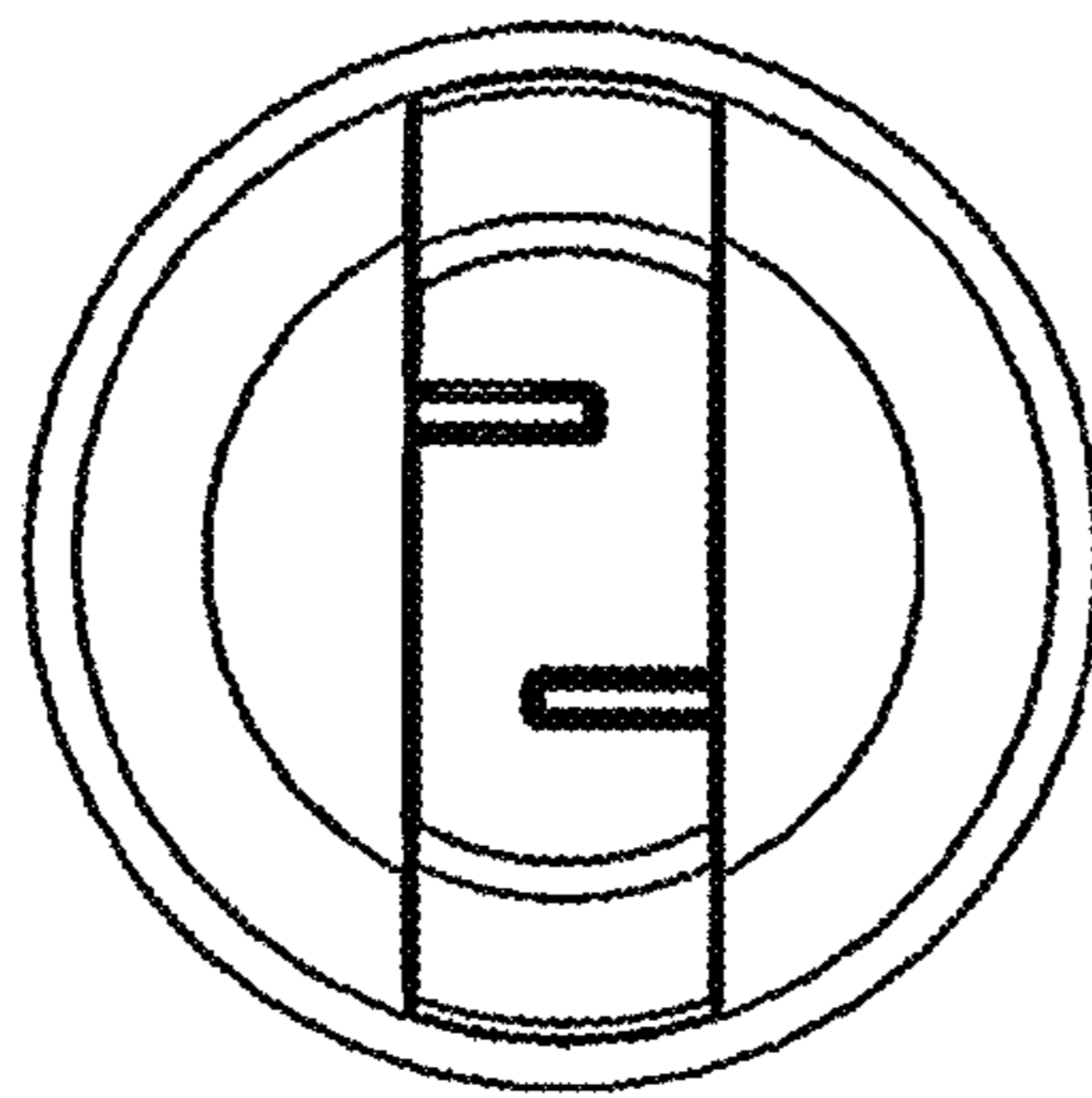


FIG. 6

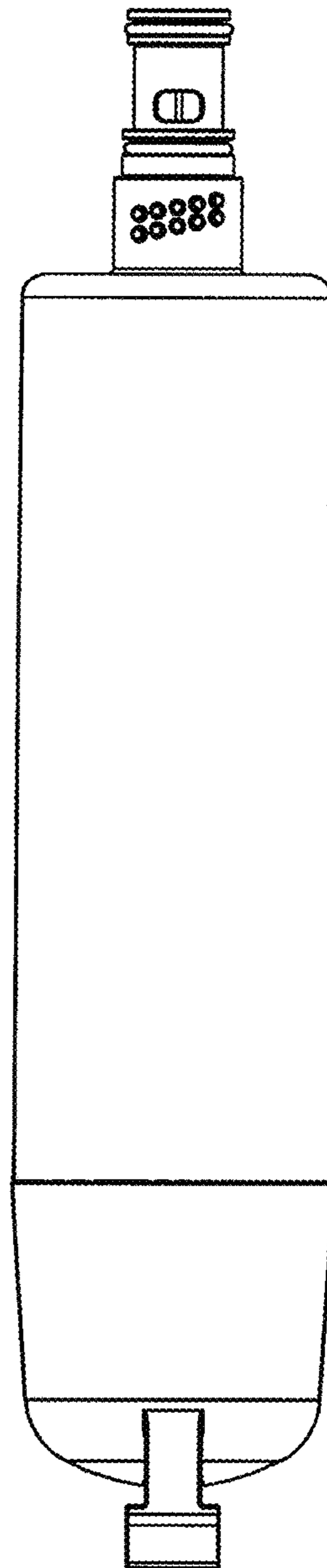


FIG. 4

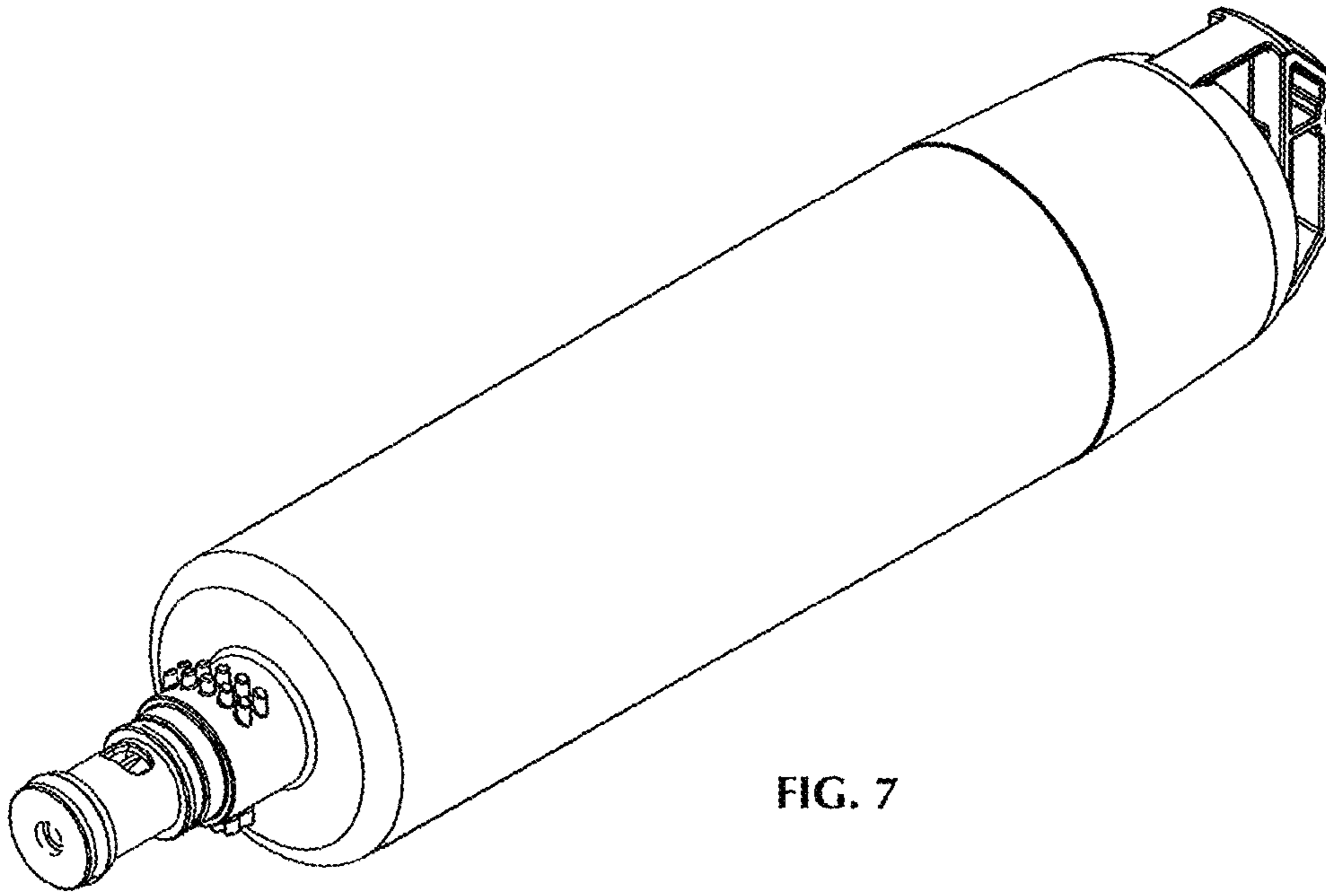


FIG. 7

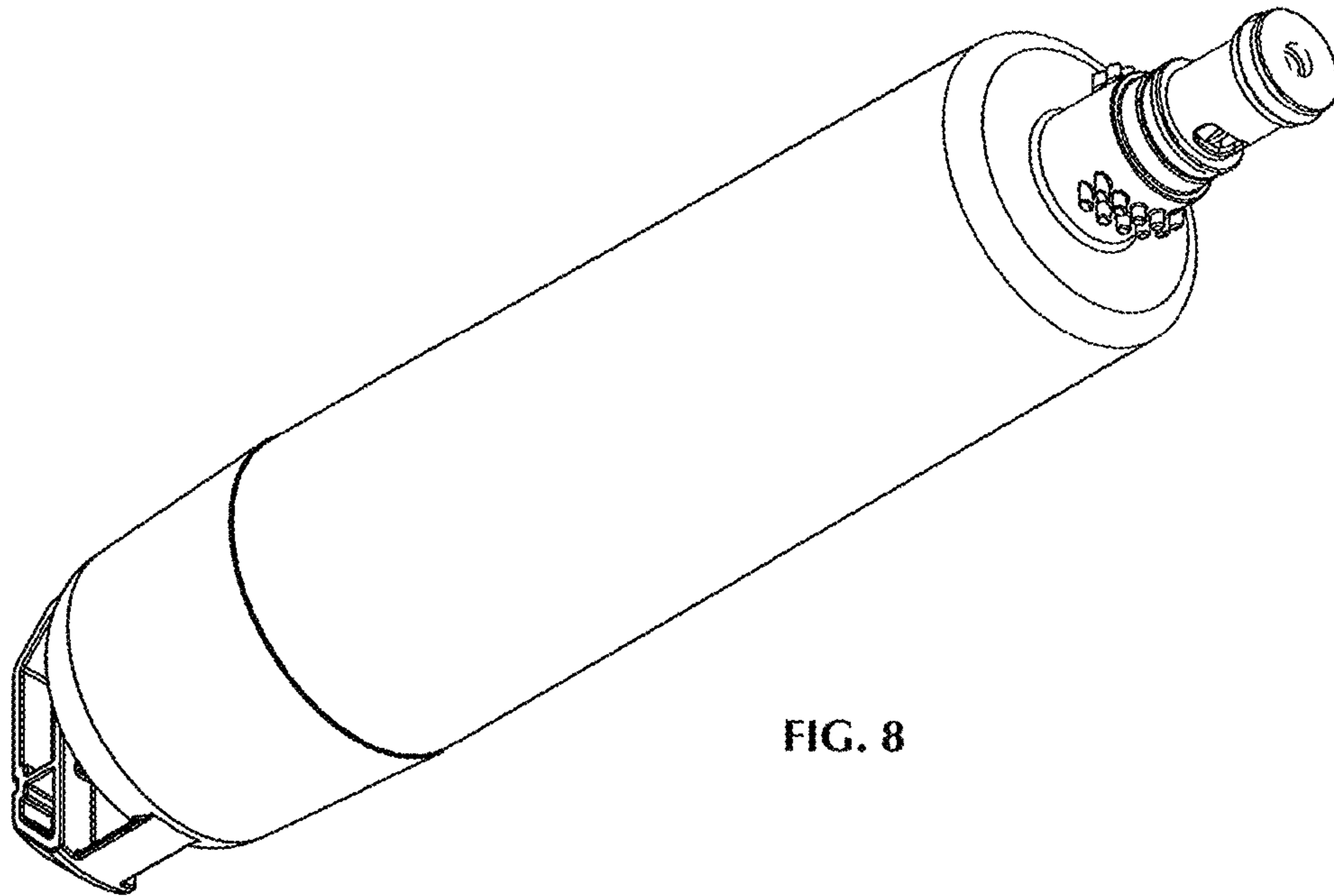


FIG. 8