



US00D780886S

(12) **United States Design Patent**
Kim et al.

(10) **Patent No.:** **US D780,886 S**
(45) **Date of Patent:** **** Mar. 7, 2017**

(54) **FILTER HOUSING CASE FOR USE IN A MICROBIAL WATER SAMPLER**

8,020,458 B2 * 9/2011 Utani G01N 21/714
73/863.23
8,974,751 B2 * 3/2015 Rodenfels B01L 3/502753
422/407

(71) Applicant: **METAWATER Co., Ltd.**, Chiyoda-ku, Tokyo (JP)

* cited by examiner

(72) Inventors: **Kyungju Kim**, Tokyo (JP); **Dabide Yamaguchi**, Tokyo (JP)

Primary Examiner — Robin V Webster

(73) Assignee: **METAWATER Co., Ltd.**, Chiyoda-ku, Tokyo (JP)

(74) *Attorney, Agent, or Firm* — Kenja IP Law PC

(**) Term: **15 Years**

(21) Appl. No.: **29/535,839**

(22) Filed: **Aug. 11, 2015**

(57) **CLAIM**

The ornamental design for a filter housing case for use in a microbial water sampler, as shown and described.

(30) **Foreign Application Priority Data**

Feb. 17, 2015 (JP) 201 5-0031 56

(51) **LOC (10) Cl.** **23-01**

(52) **U.S. Cl.**
USPC **D23/209**

(58) **Field of Classification Search**
USPC D23/207, 209; D24/216; 210/435, 446;
422/534; 73/863.23, 864.51
CPC G01N 1/10; B01L 3/50255; B01D 35/30
See application file for complete search history.

DESCRIPTION

FIG. 1 is a front view of a filter housing case for use in a microbial water sampler showing my new design; FIG. 2 is a top plan view thereof; FIG. 3 is a right side view thereof; FIG. 4 is a left side view thereof; FIG. 5 is a back view thereof; FIG. 6 is a bottom view thereof; FIG. 7 is a cross sectional view thereof at line 7-7 of FIG. 1; FIG. 8 is a front perspective view of the lower component thereof, showing the design in an opened state where the upper component thereof is removed; FIG. 9 is a front view of the component thereof, showing the design in the opened state; and, FIG. 10 is a back perspective view thereof, showing in the design in a closed state where the upper and lower components are joined together.

(56) **References Cited**

U.S. PATENT DOCUMENTS

6,391,265 B1 * 5/2002 Buechler B01D 61/18
210/496
7,748,283 B2 * 7/2010 Harvey B01L 3/5023
422/534

1 Claim, 10 Drawing Sheets

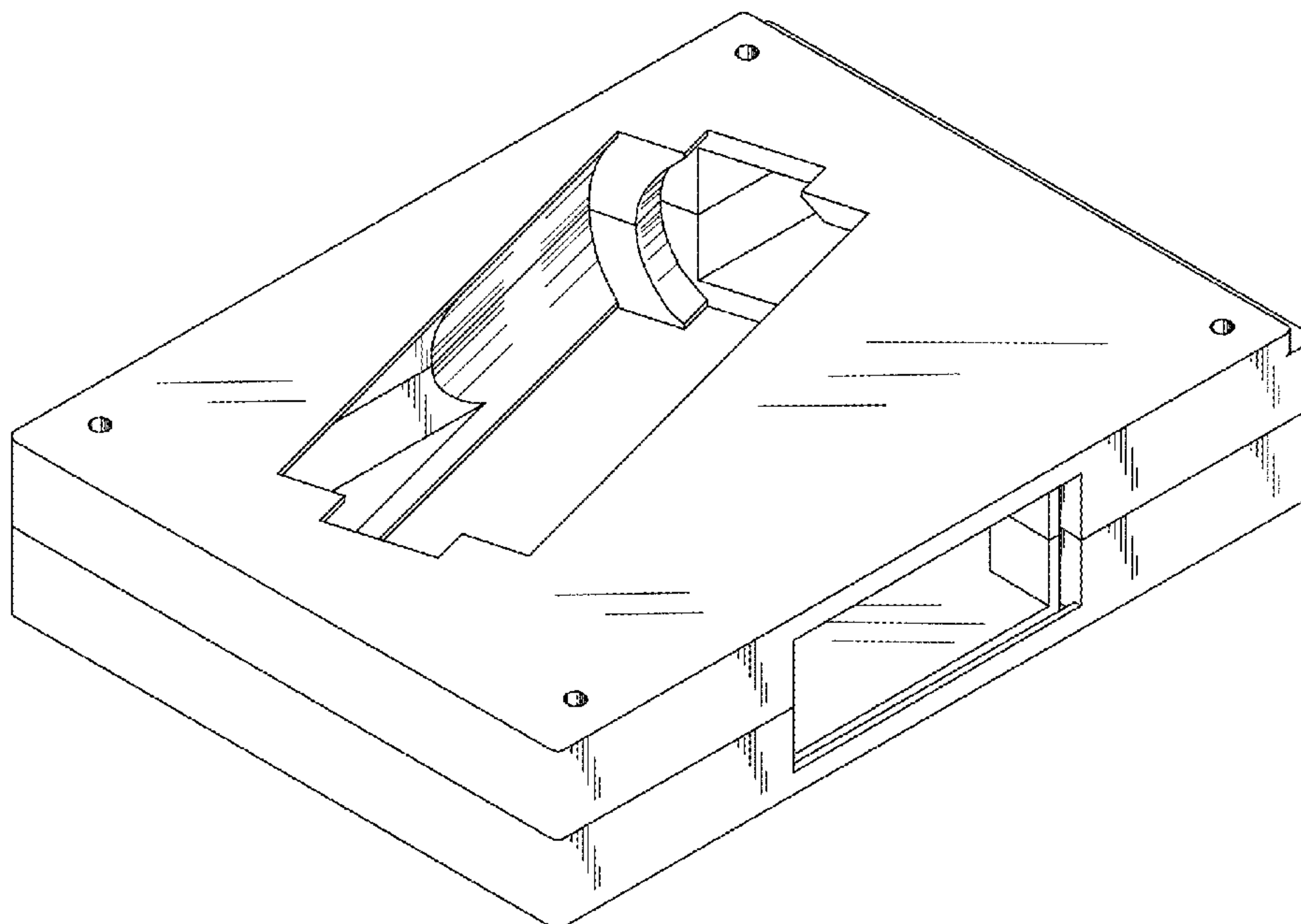
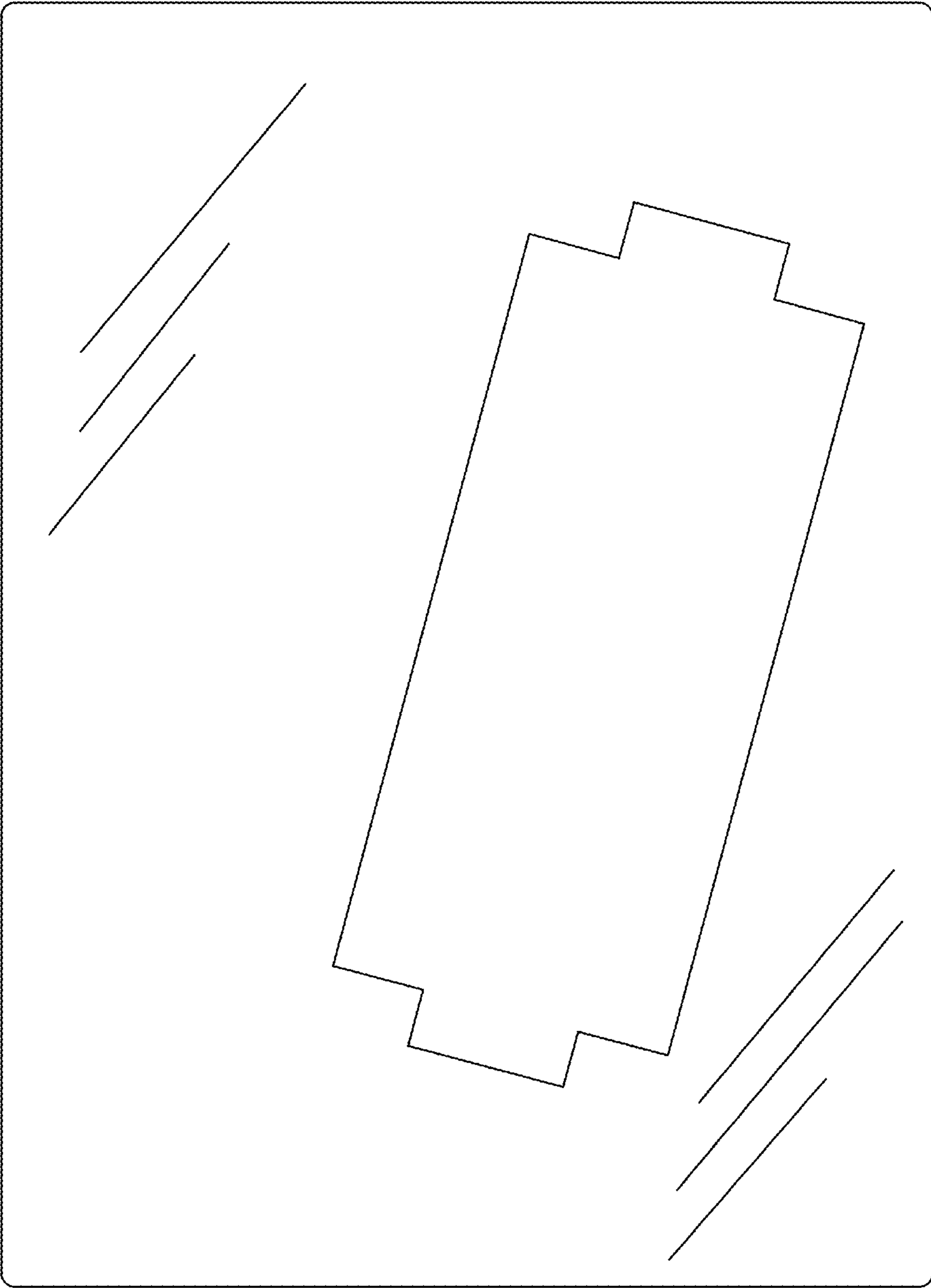


FIG. 1

→ 7



→ 7

FIG. 2

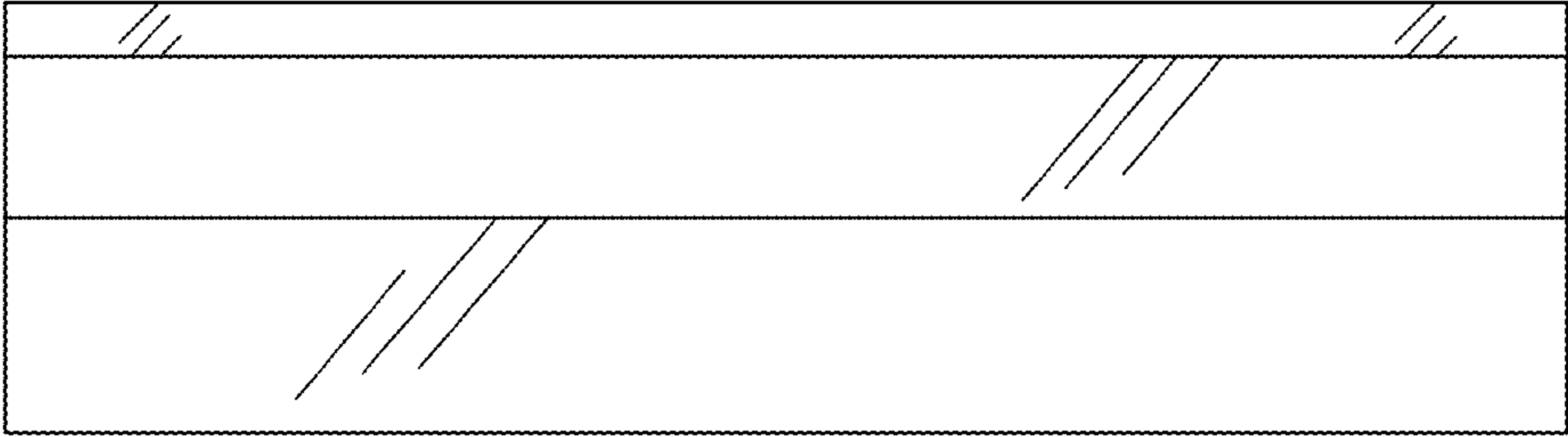


FIG. 3

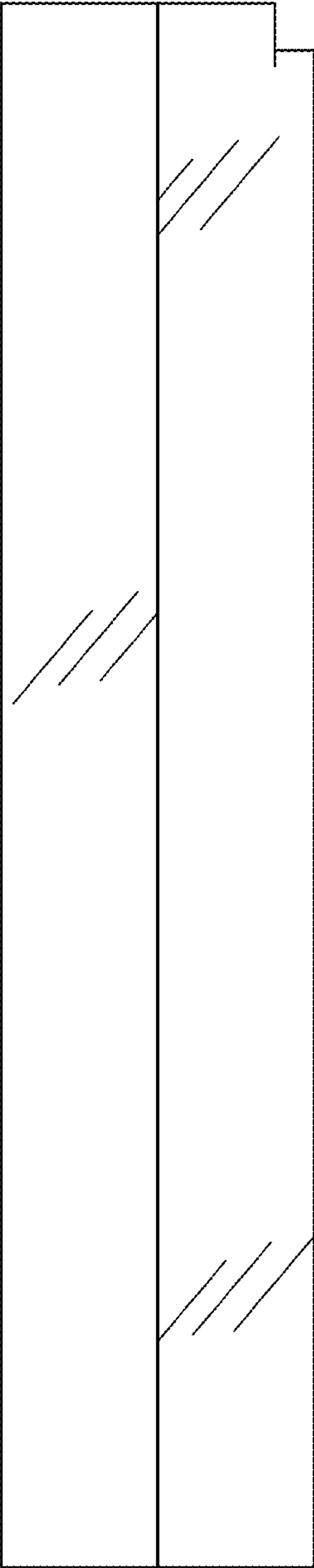


FIG. 4

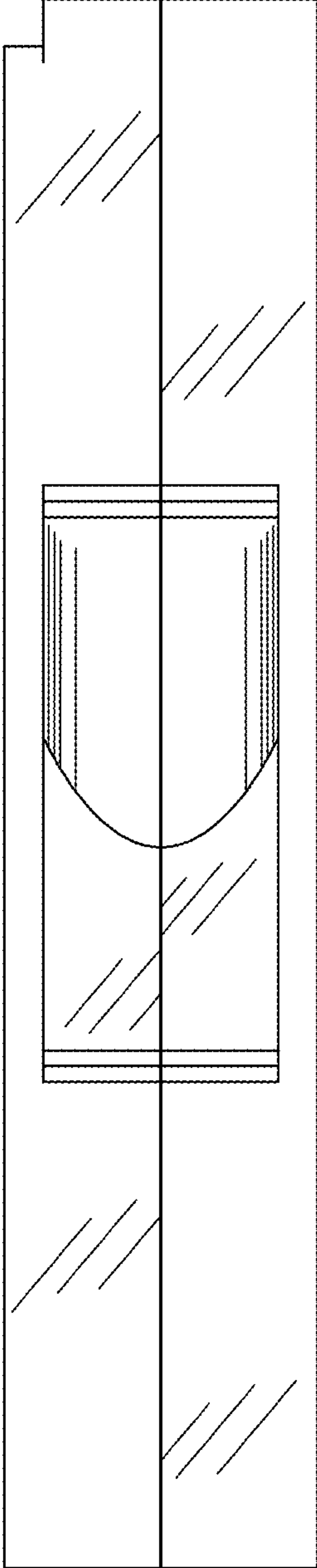


FIG. 5

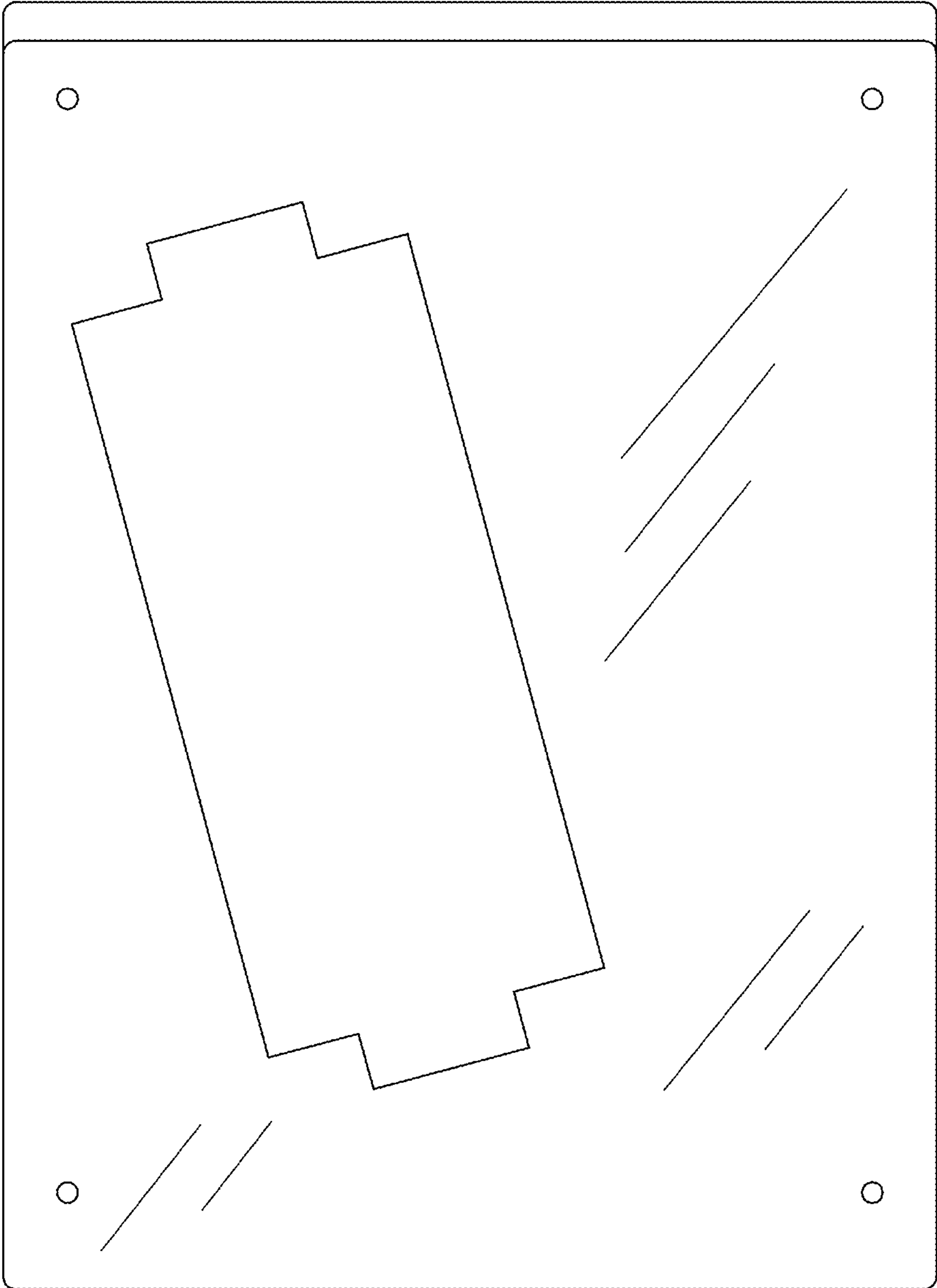


FIG. 6

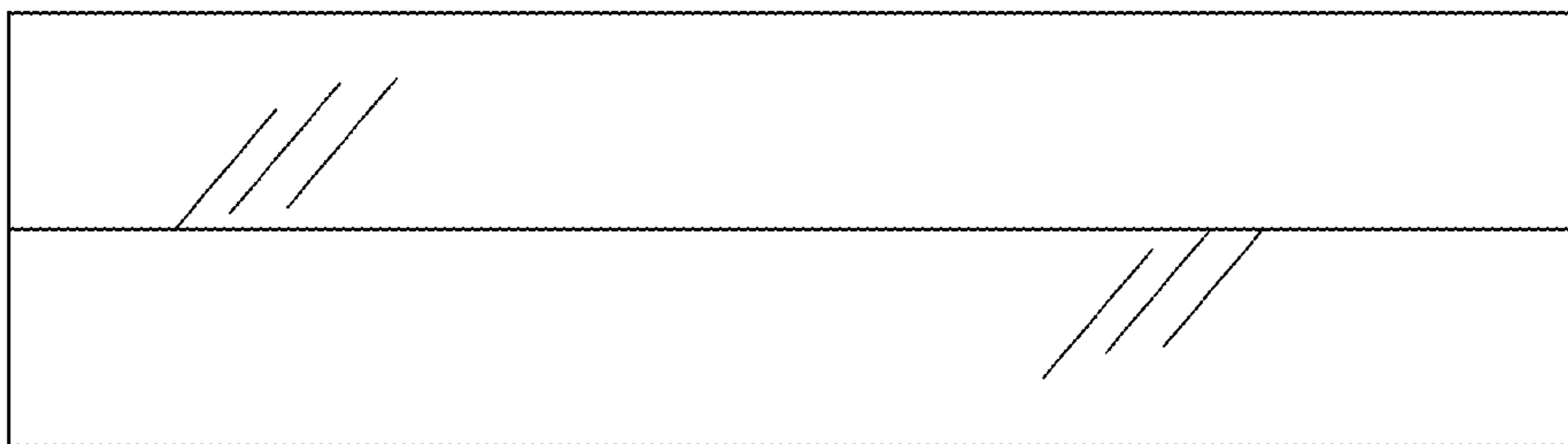


FIG. 7

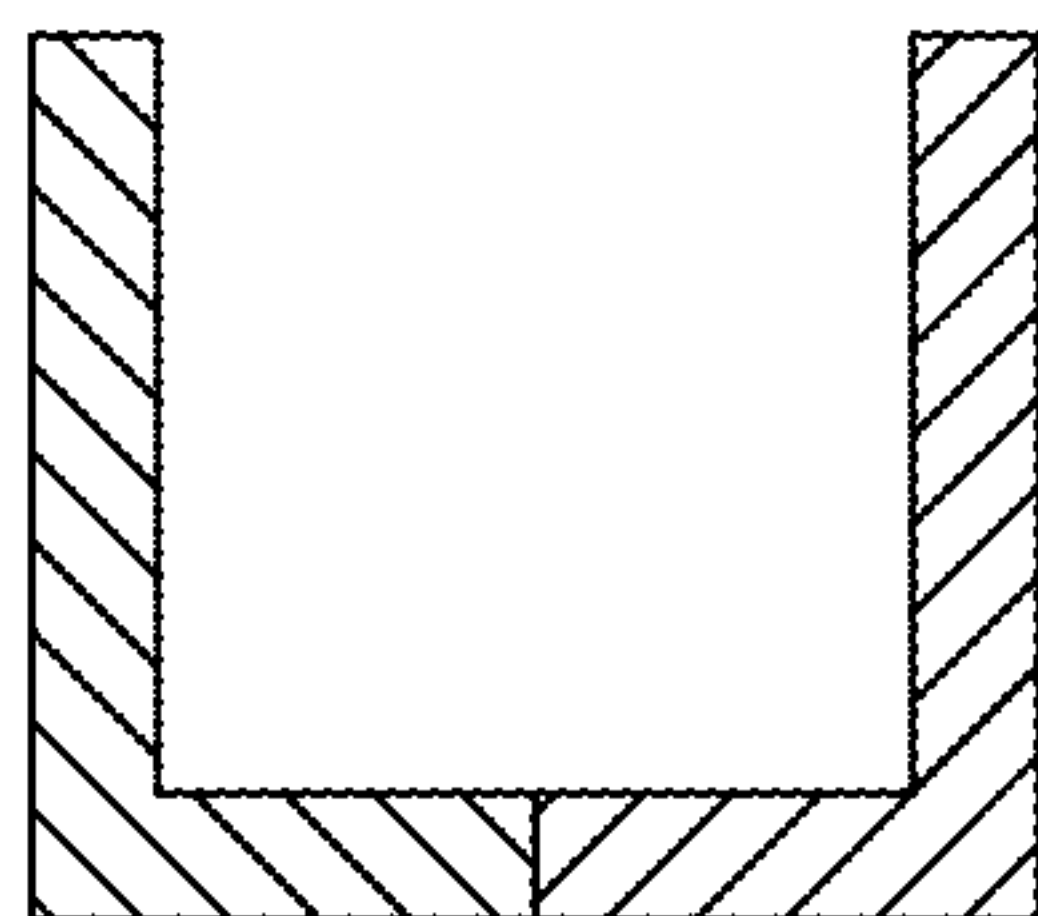
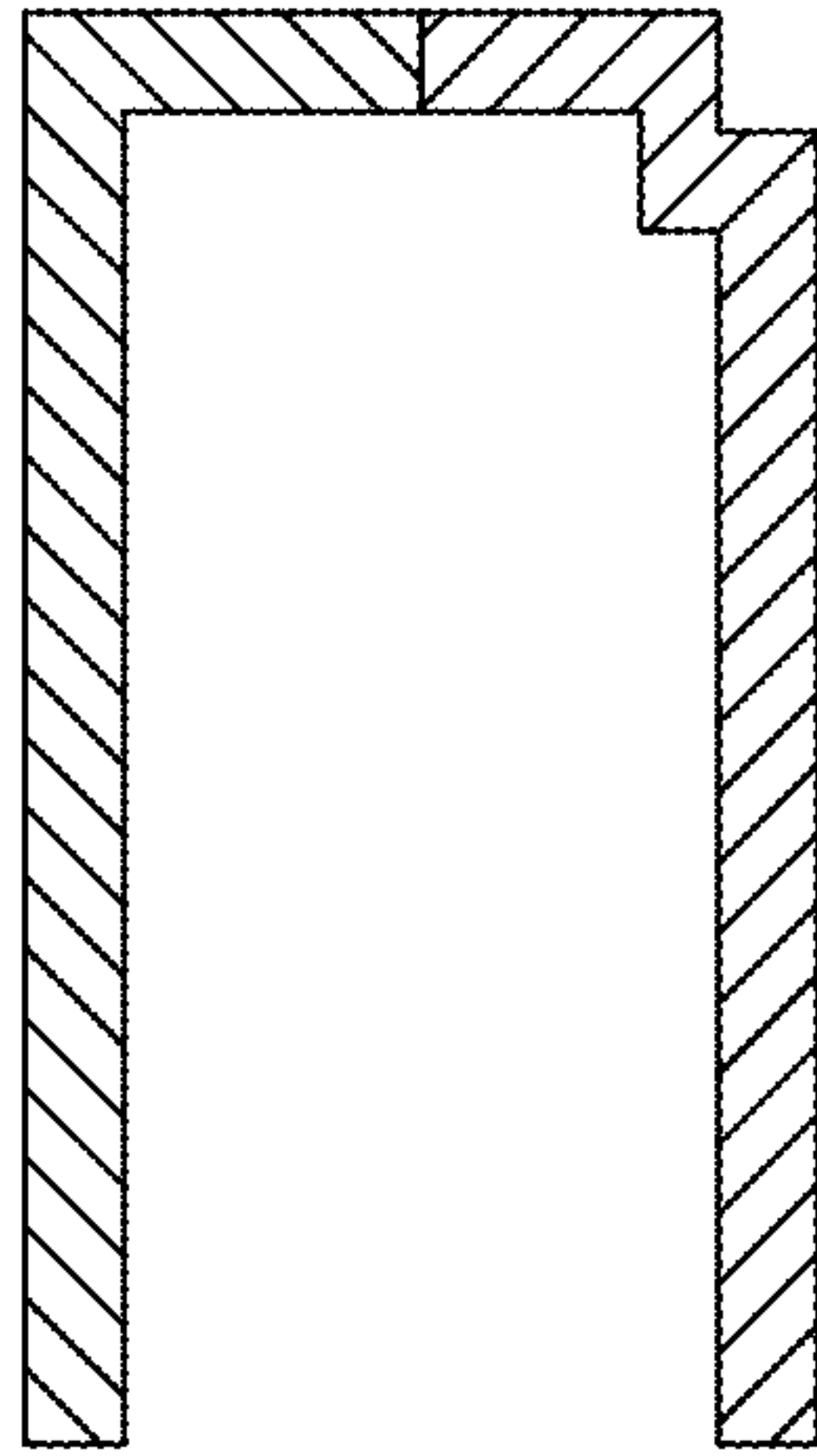


FIG. 8

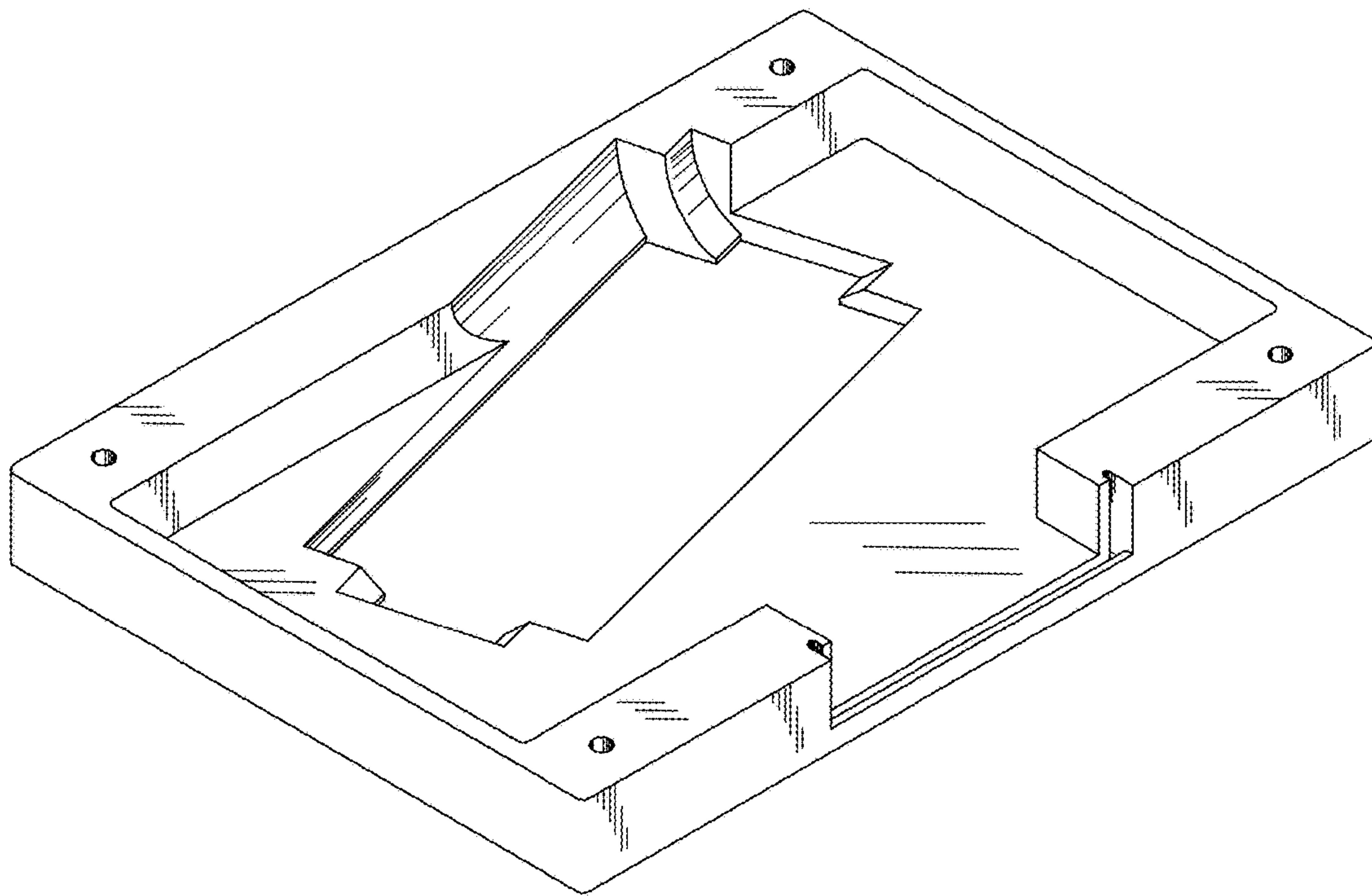


FIG. 9

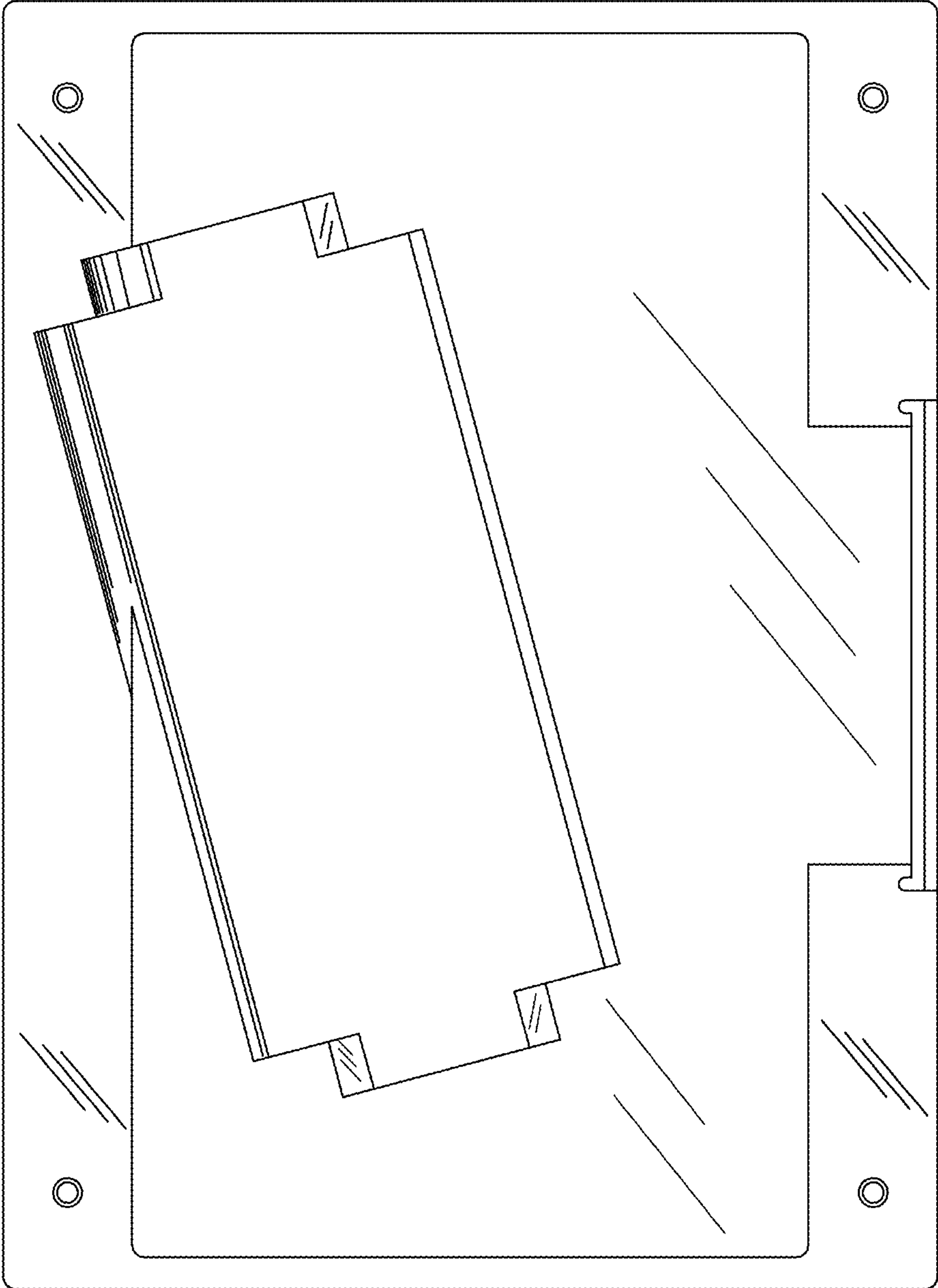


FIG. 10

