



US00D780885S

(12) **United States Design Patent**
Crawford et al.

(10) **Patent No.:** **US D780,885 S**
(45) **Date of Patent:** **** Mar. 7, 2017**

(54) **LARGE WATER PURIFICATION CABINET**
(71) Applicant: **Ultra Pure Systems, LLC**, Gilbert, AZ (US)
(72) Inventors: **Erik Crawford**, Gilbert, AZ (US);
Andy Sargent, Gilbert, AZ (US)
(73) Assignee: **Ultra Pure Systems, LLC**, Gilbert, AZ (US)
(**) Term: **15 Years**
(21) Appl. No.: **29/554,560**

D324,138 S * 2/1992 Labonte D23/202
D397,764 S * 9/1998 Strand D23/207
6,238,564 B1 * 5/2001 Tanaka B03D 1/002
210/608
D452,392 S * 12/2001 Meder D6/661
6,516,711 B1 * 2/2003 Fernandez Paez A47J 36/38
126/299 D
D596,702 S * 7/2009 Chen D23/207
D614,727 S * 4/2010 Therkelsen D23/207
D651,279 S * 12/2011 Wilson D23/207
D654,556 S * 2/2012 McIntosh D23/202
D700,272 S * 2/2014 McIntosh D23/202
D720,038 S * 12/2014 Brown D23/202
D730,167 S * 5/2015 Burgess D9/414
D737,872 S * 9/2015 Johansson D15/123
2004/0060860 A1 * 4/2004 Peterson C02F 9/005
210/435

(22) Filed: **Feb. 12, 2016**
(51) **LOC (10) Cl.** **23-01**
(52) **U.S. Cl.**
USPC **D23/207**
(58) **Field of Classification Search**
USPC D23/202, 207, 210, 221, 223, 214, 209
CPC A62C 37/12; A62C 35/68; B65G 64/04;
B65G 1/00; B65D 85/00; B65D
1/00; B65D 88/54; B05B 7/2416; B05B
7/2483; C02F 1/003; C02F 1/283; C02F
9/005; A01K 63/045
See application file for complete search history.

(Continued)

Primary Examiner — Robin V Webster
Assistant Examiner — Rachel Voorhies
(74) *Attorney, Agent, or Firm* — Wayne Carroll; Inspired
Idea Solutions Law Firm

(57) **CLAIM**

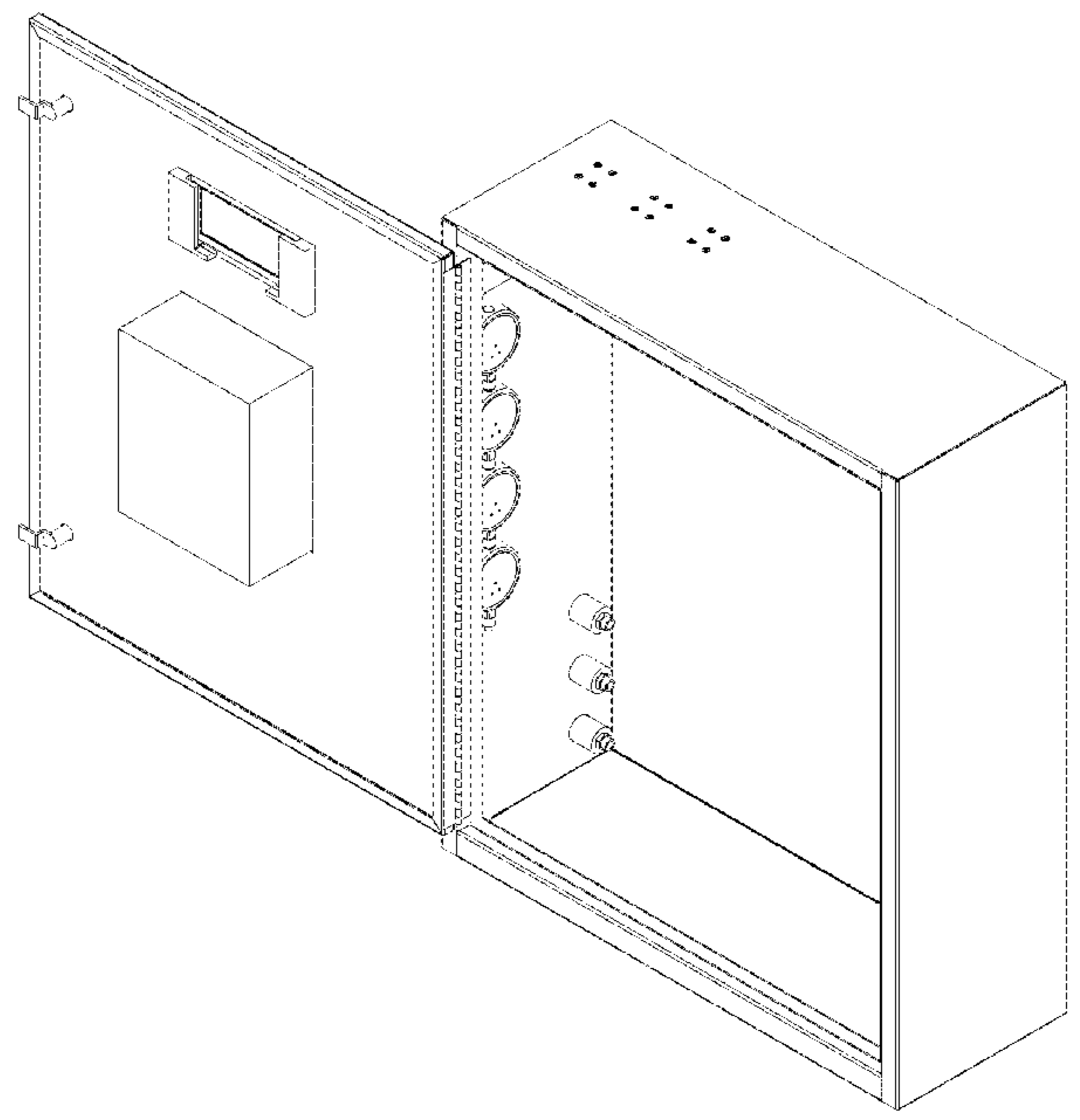
The ornamental design for a large water purification cabinet,
as shown.

DESCRIPTION

FIG. 1 is a top front perspective view of a large water
purification cabinet with an open door;
FIG. 2 is a front elevation view with the door open;
FIG. 3 is a rear side elevation view with the door open;
FIG. 4 is a left elevation view with the door open;
FIG. 5 is a right side elevation view with the door open;
FIG. 6 is a top plan view with the door open; and,
FIG. 7 is a bottom plan view with the door open.

1 Claim, 5 Drawing Sheets

(56) **References Cited**
U.S. PATENT DOCUMENTS
D30,745 S * 5/1899 Taussig D23/202
D207,202 S * 3/1967 Dole D23/207
D248,869 S * 8/1978 Risher D23/364
D269,370 S * 6/1983 Groff D23/207
4,857,184 A * 8/1989 DeLoach B01D 61/08
210/128
D306,338 S * 2/1990 Rempe D23/207



(56)

References Cited

U.S. PATENT DOCUMENTS

2010/0293907 A1* 11/2010 Zheng A61L 9/16
55/337
2014/0014579 A1* 1/2014 Haruna C02F 9/00
210/636
2014/0144822 A1* 5/2014 Senninger C02F 1/003
210/97
2016/0030858 A1* 2/2016 Giacomini B01D 53/265
62/291

* cited by examiner

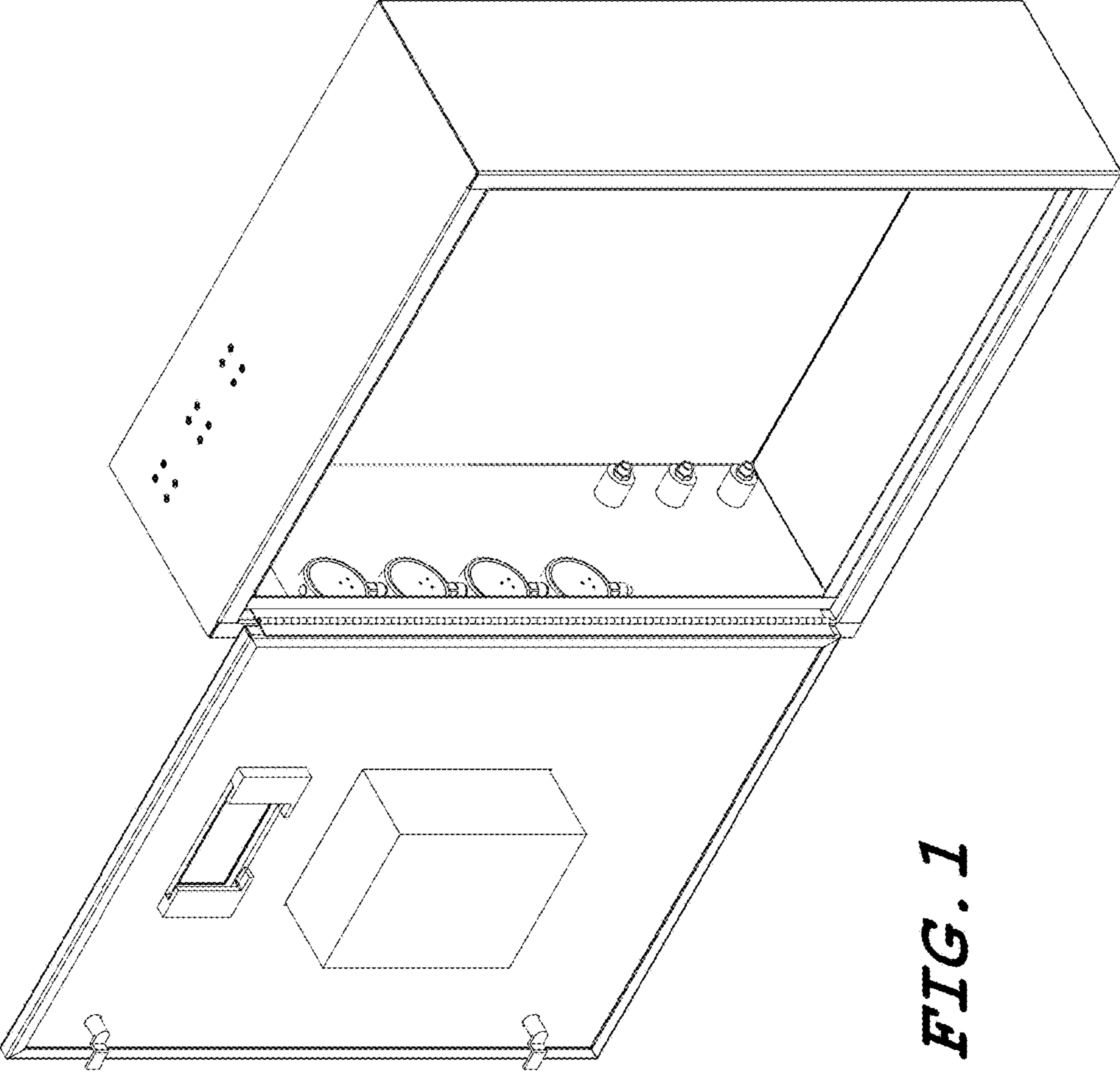


FIG. 1

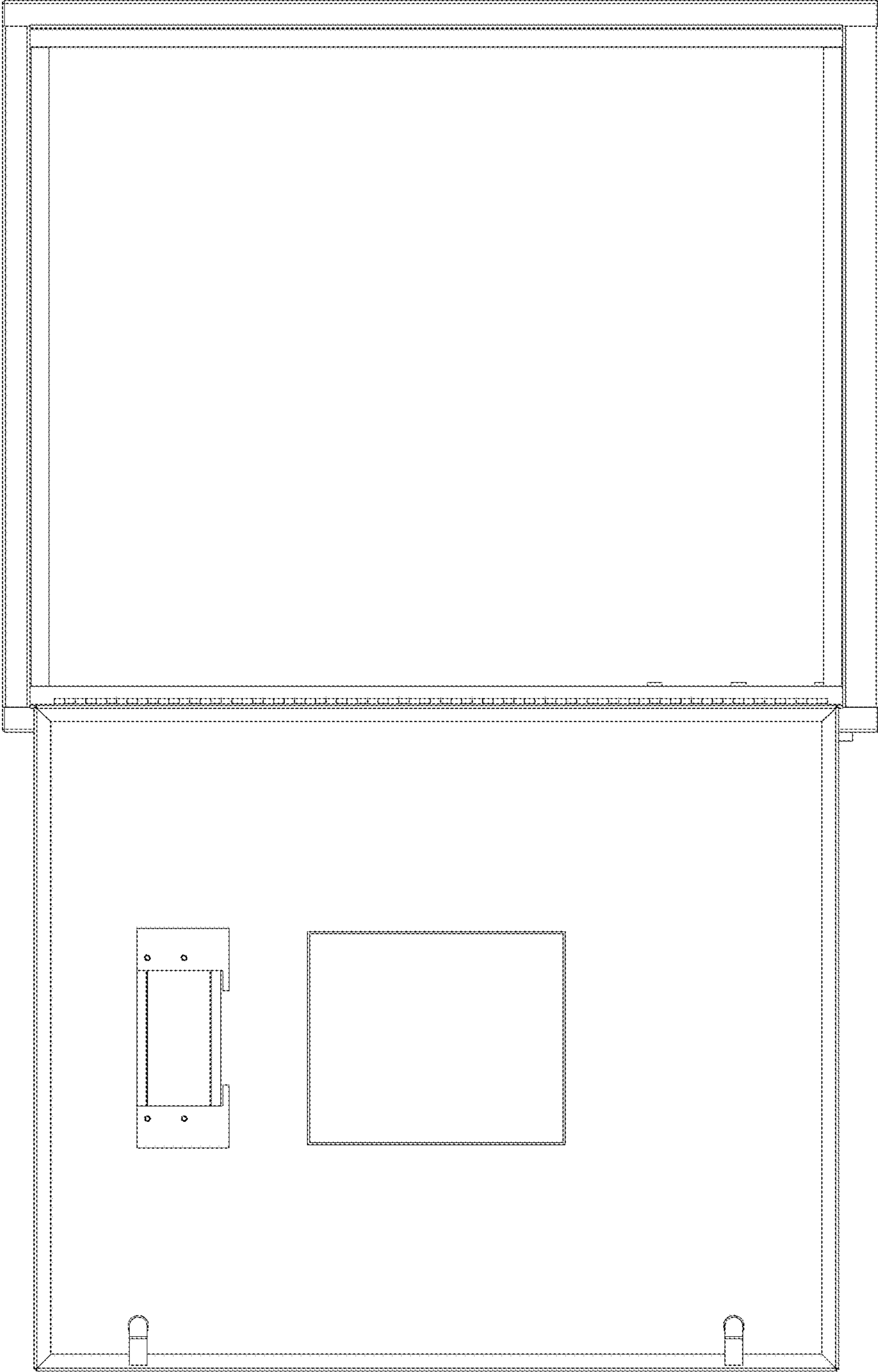


FIG. 2

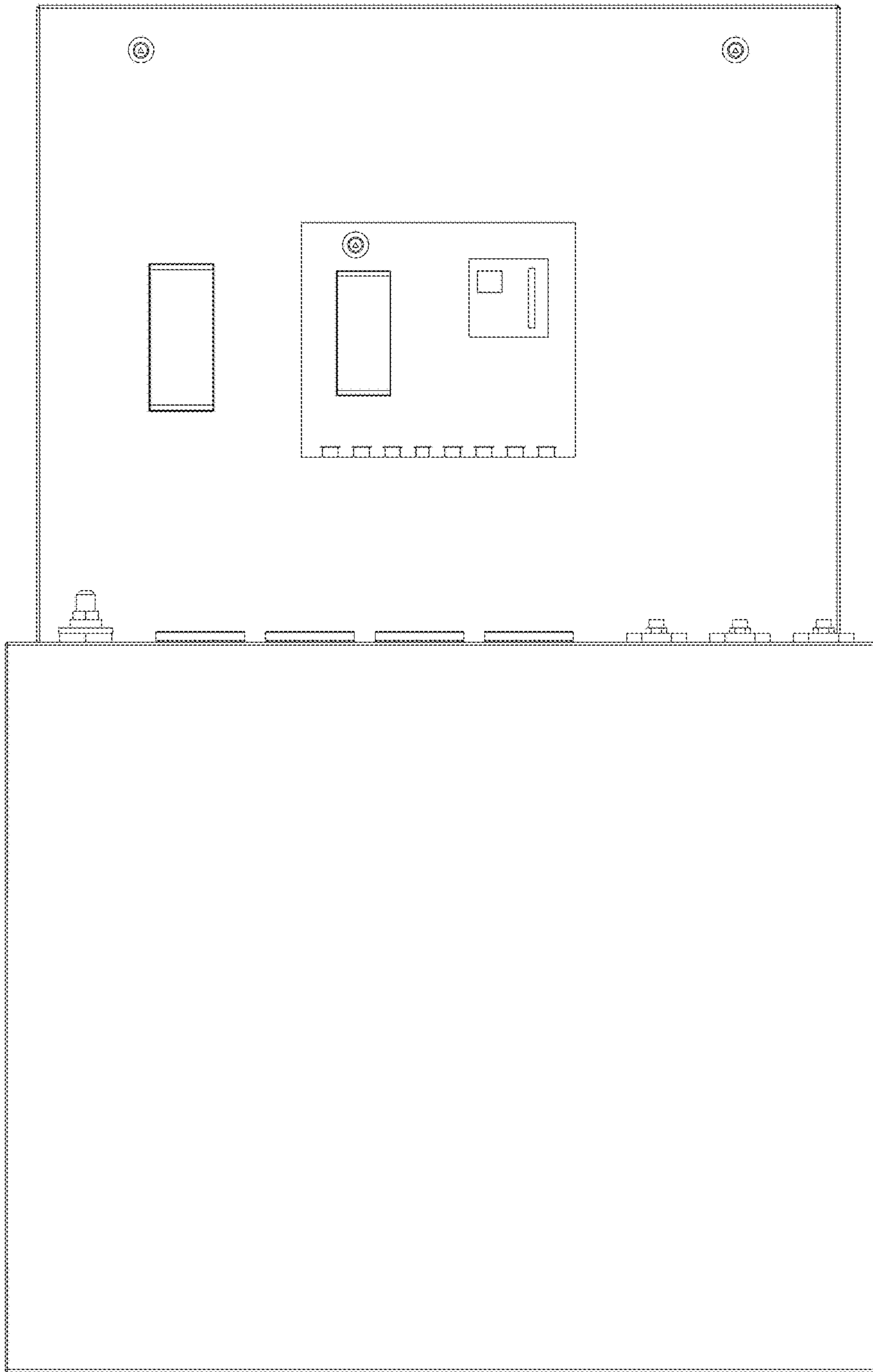


FIG. 3

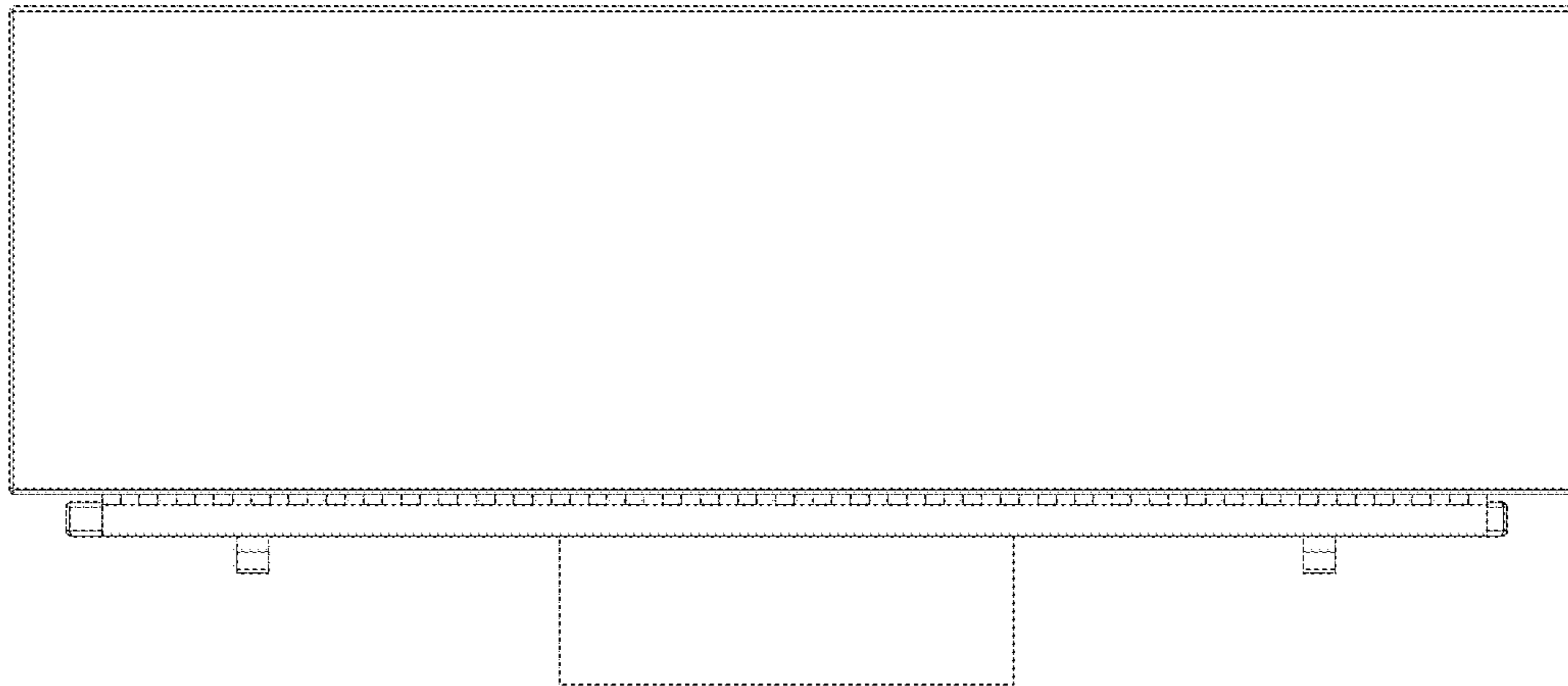


FIG. 5

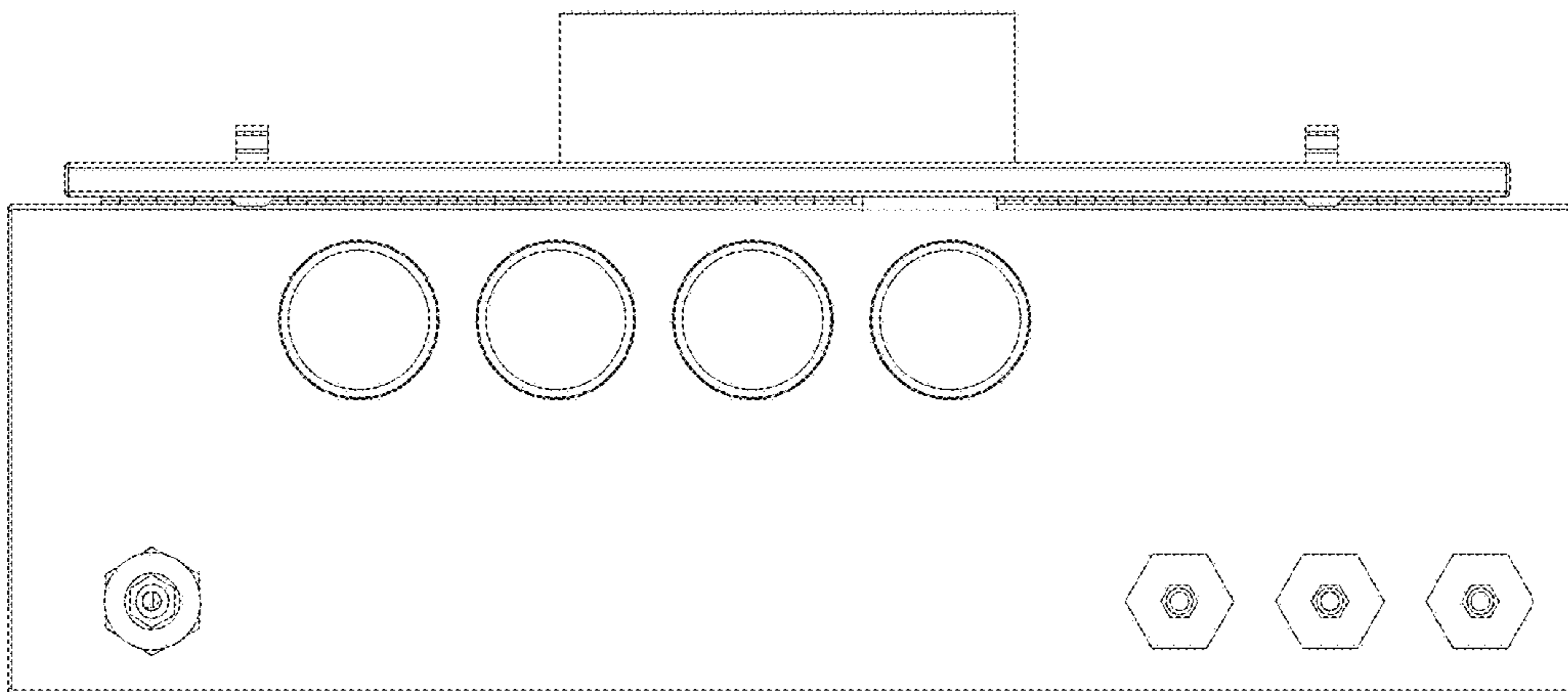


FIG. 4

