



US00D780884S

(12) **United States Design Patent**
Crawford et al.

(10) **Patent No.:** **US D780,884 S**
(45) **Date of Patent:** **** Mar. 7, 2017**

- (54) **SMALL WATER PURIFICATION CABINET**
- (71) Applicant: **Ultra Pure Systems, LLC**, Gilbert, AZ (US)
- (72) Inventors: **Erik Crawford**, Gilbert, AZ (US);
Andy Sargent, Gilbert, AZ (US)
- (73) Assignee: **Ultra Pure Systems, LLC**, Gilbert, AZ (US)
- (**) Term: **15 Years**
- (21) Appl. No.: **29/554,559**

D324,138	S *	2/1992	Labonte	D23/202
D397,764	S *	9/1998	Strand	D23/207
6,238,564	B1 *	5/2001	Tanaka	B03D 1/002 210/608
D452,392	S *	12/2001	Meder	D6/661
6,516,711	B1 *	2/2003	Fernandez Paez	A47J 36/38 126/299 D
D596,702	S *	7/2009	Chen	D23/207
D614,727	S *	4/2010	Therkelsen	D23/207
D651,279	S *	12/2011	Wilson	D23/207
D654,556	S *	2/2012	McIntosh	D23/202
D700,272	S *	2/2014	McIntosh	D23/202
D720,038	S *	12/2014	Brown	D23/202
D730,167	S *	5/2015	Burgess	D9/414
D737,872	S *	9/2015	Johansson	D15/123
2004/0060860	A1 *	4/2004	Peterson	C02F 9/005 210/435

- (22) Filed: **Feb. 12, 2016**
- (51) **LOC (10) Cl.** **23-01**
- (52) **U.S. Cl.**
USPC **D23/207**
- (58) **Field of Classification Search**
USPC D23/202, 207, 210, 221, 223, 214, 209
CPC A62C 37/12; A62C 35/68; B65G 64/04;
B65G 1/00; B65D 85/00; B65D 1/00;
B65D 88/54; B05B 7/2416; B05B
7/24838; C02F 1/003; C02F 1/283; C02F
9/005; A01K 63/045
See application file for complete search history.

- (56) **References Cited**
U.S. PATENT DOCUMENTS
D30,745 S * 5/1899 Taussig D23/202
D207,202 S * 3/1967 Dole D23/207
D248,869 S * 8/1978 Risher D23/364
D269,370 S * 6/1983 Groff D23/207
4,857,184 A * 8/1989 DeLoach B01D 61/08
210/128
D306,338 S * 2/1990 Rempe D23/207

(Continued)

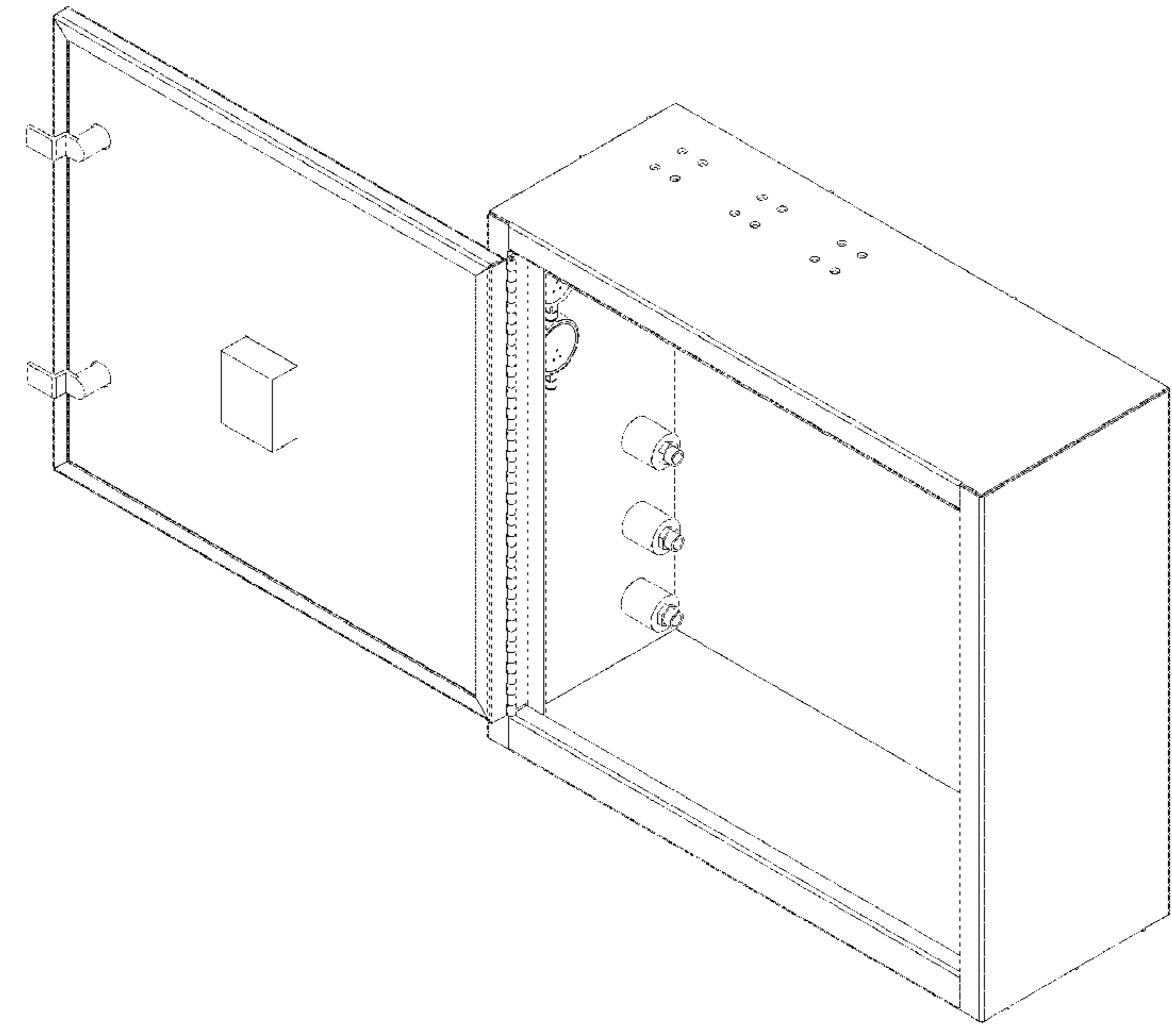
Primary Examiner — Robin V Webster
Assistant Examiner — Rachel Voorhies
(74) *Attorney, Agent, or Firm* — Wayne Carroll; Inspired Idea Solutions Law Firm

(57) **CLAIM**
The ornamental design for a small water purification cabinet, as shown.

DESCRIPTION

FIG. 1 is a top front perspective view of a small water purification cabinet with an open door;
FIG. 2 is a front elevation view with the door open;
FIG. 3 is a rear side elevation view with the door open;
FIG. 4 is a left elevation view with the door open;
FIG. 5 is a right side elevation view with the door open;
FIG. 6 is a top plan view with the door open; and,
FIG. 7 is a bottom plan view with the door open.

1 Claim, 5 Drawing Sheets



(56)

References Cited

U.S. PATENT DOCUMENTS

2010/0293907 A1* 11/2010 Zheng A61L 9/16
55/337
2014/0014579 A1* 1/2014 Haruna C02F 9/00
210/636
2014/0144822 A1* 5/2014 Senninger C02F 1/003
210/97
2016/0030858 A1* 2/2016 Giacomini B01D 53/265
62/291

* cited by examiner

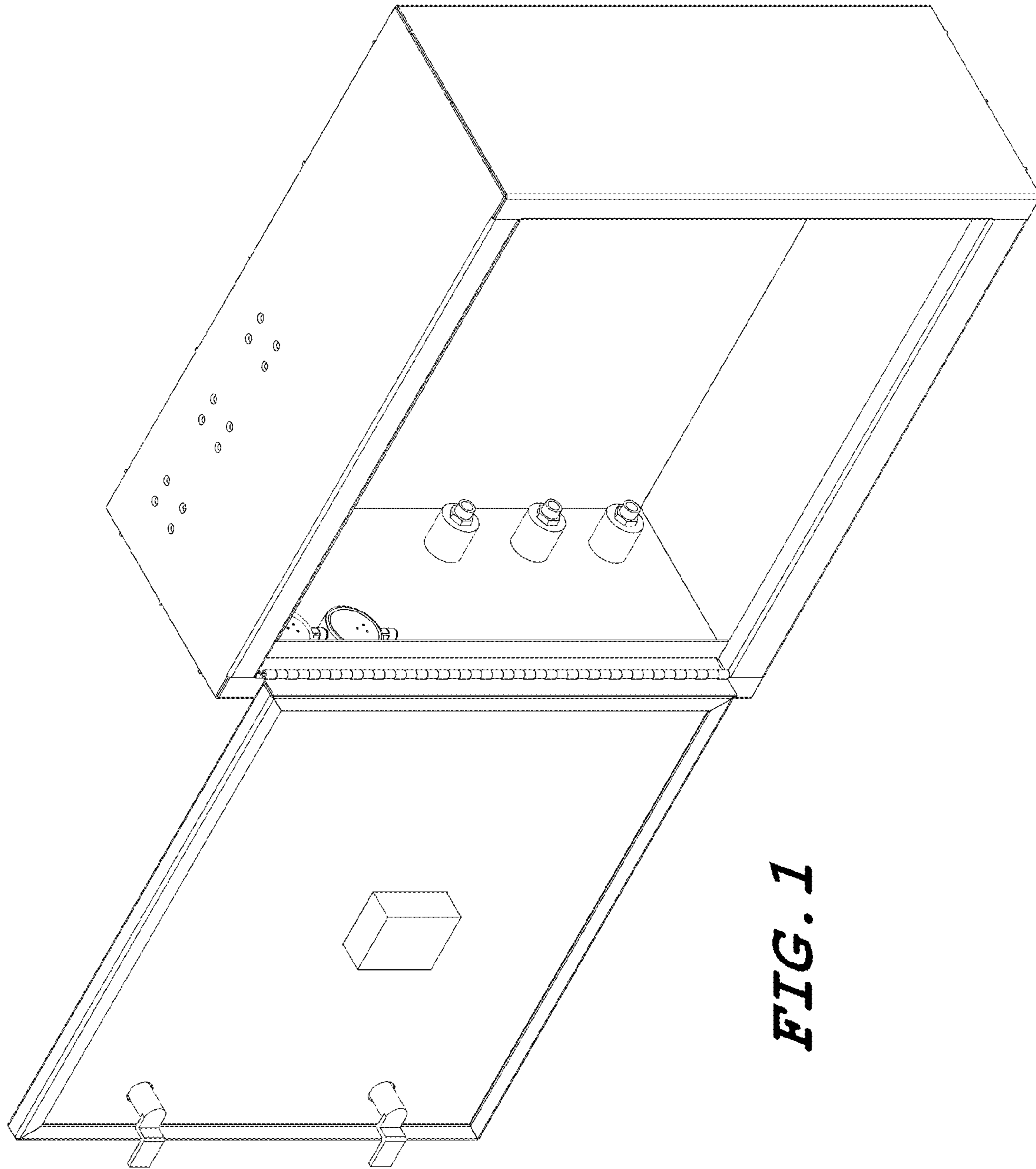


FIG. 1

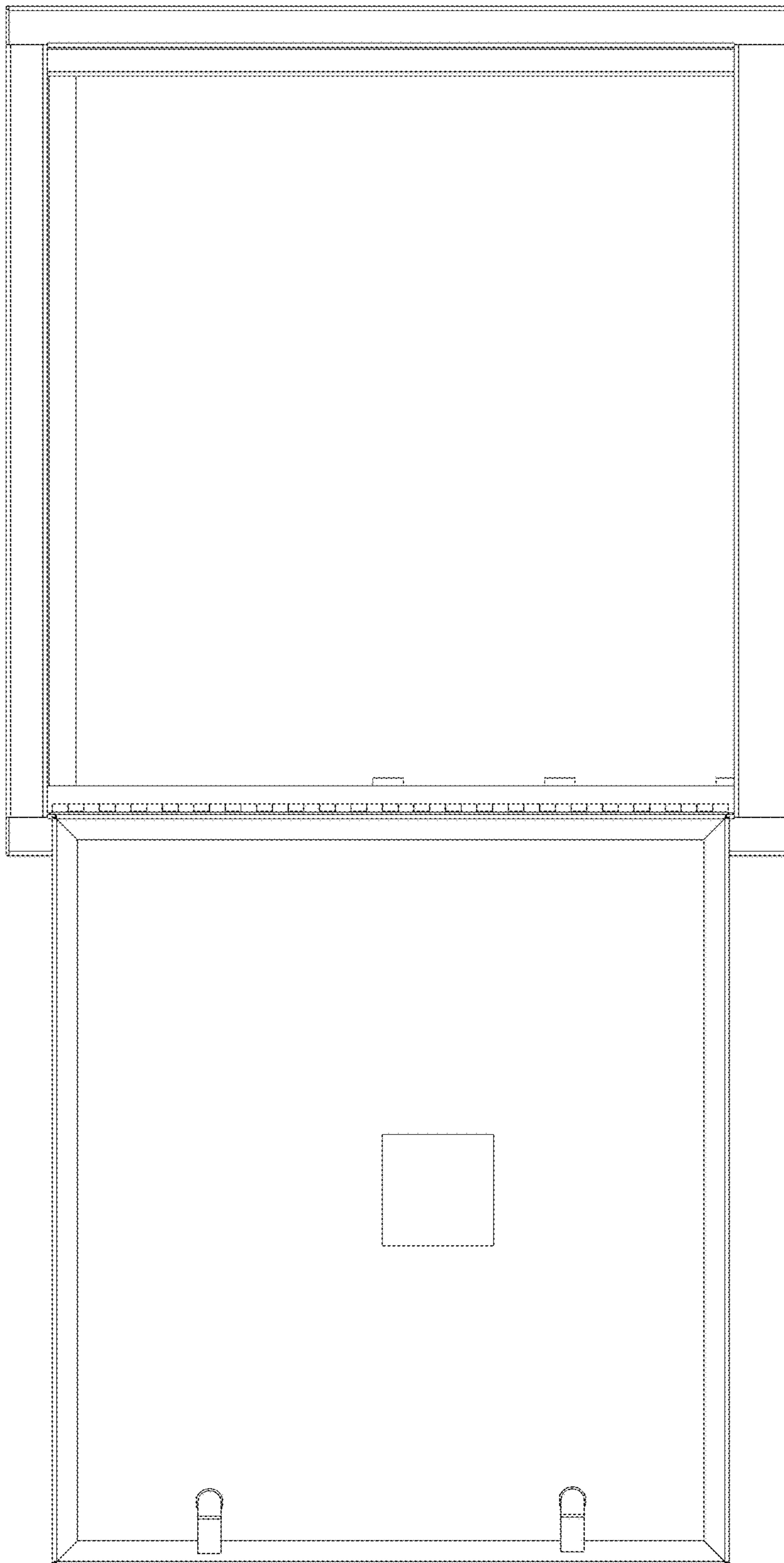


FIG. 2

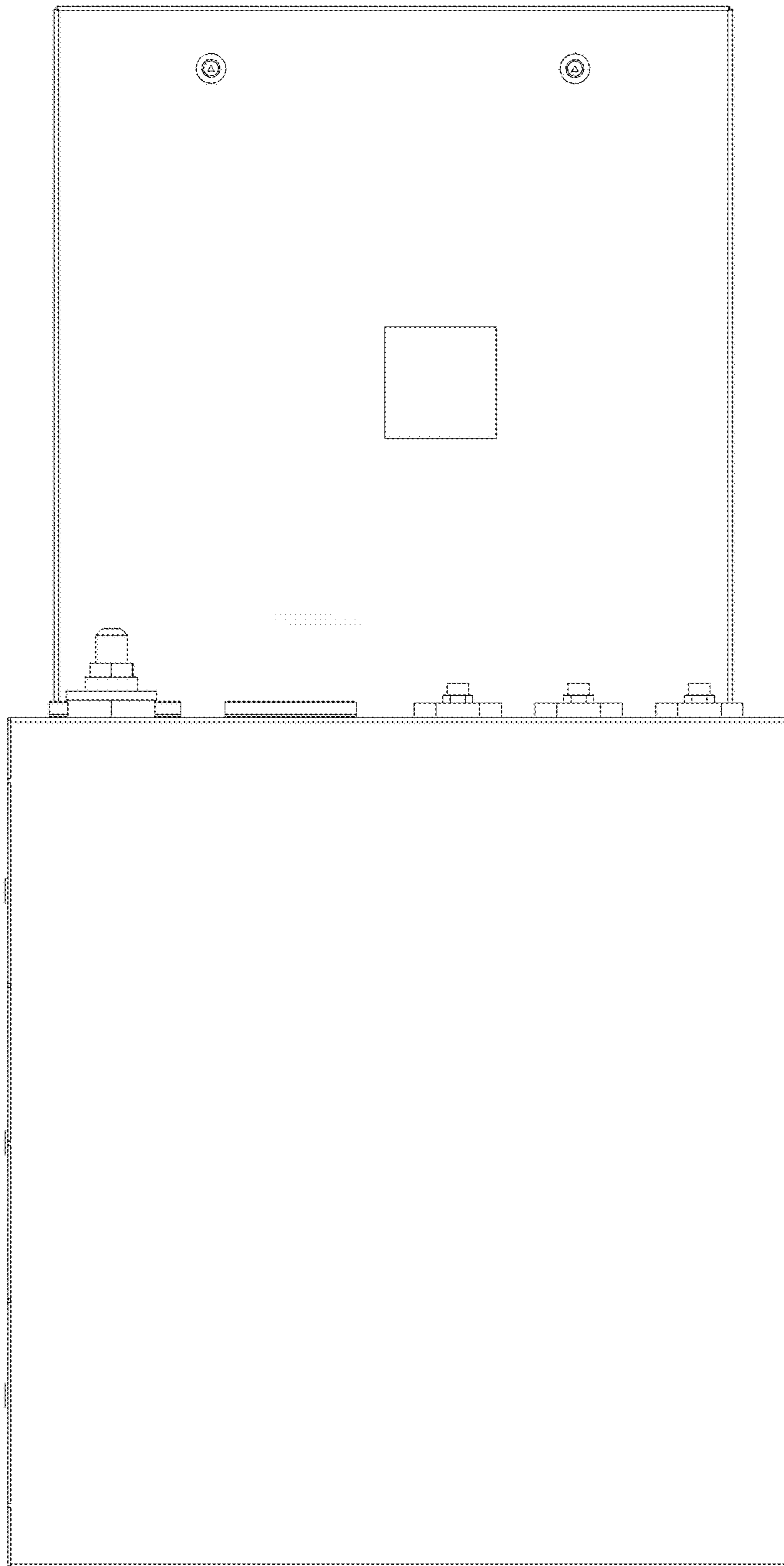


FIG. 3

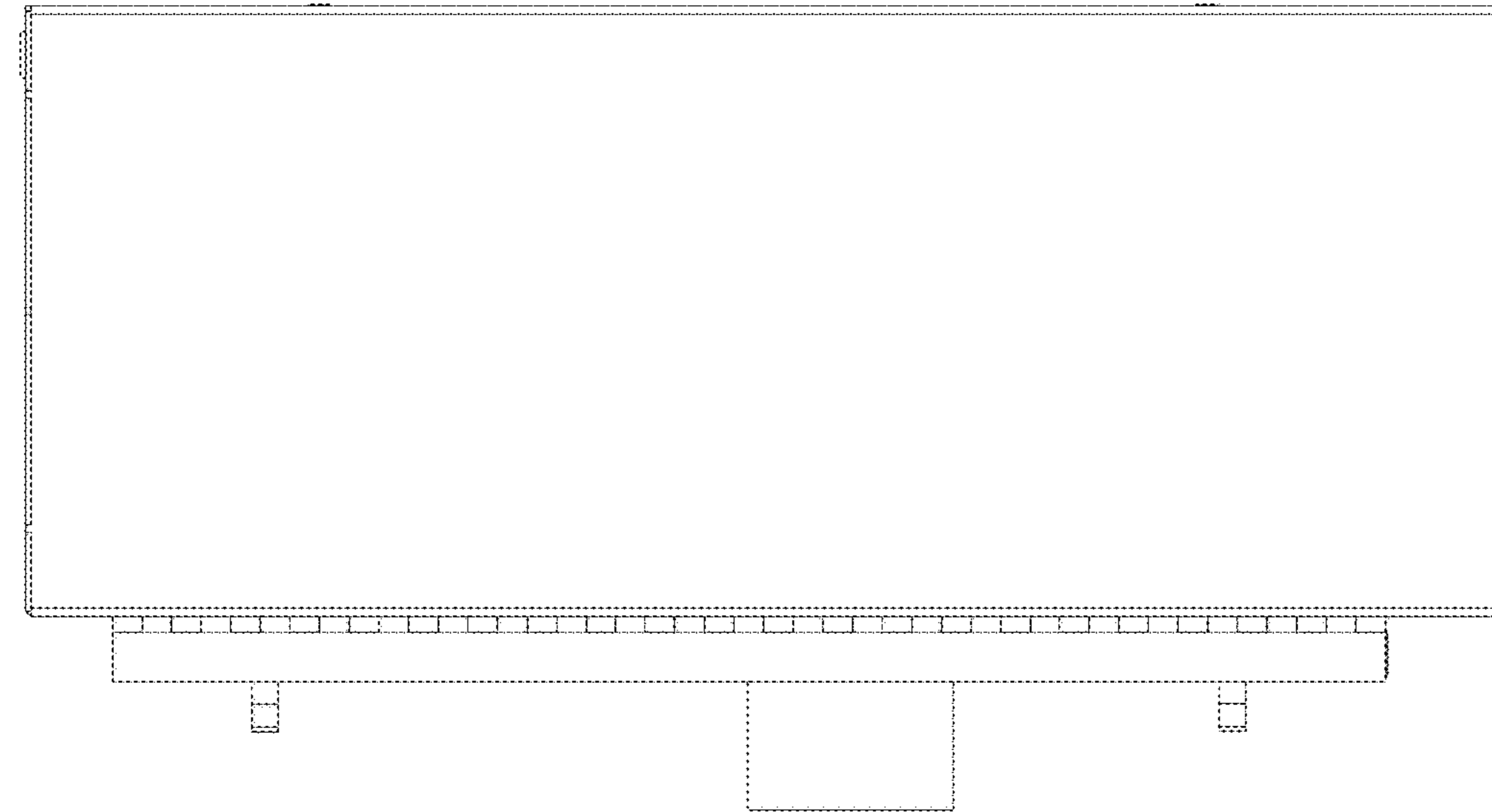


FIG. 5

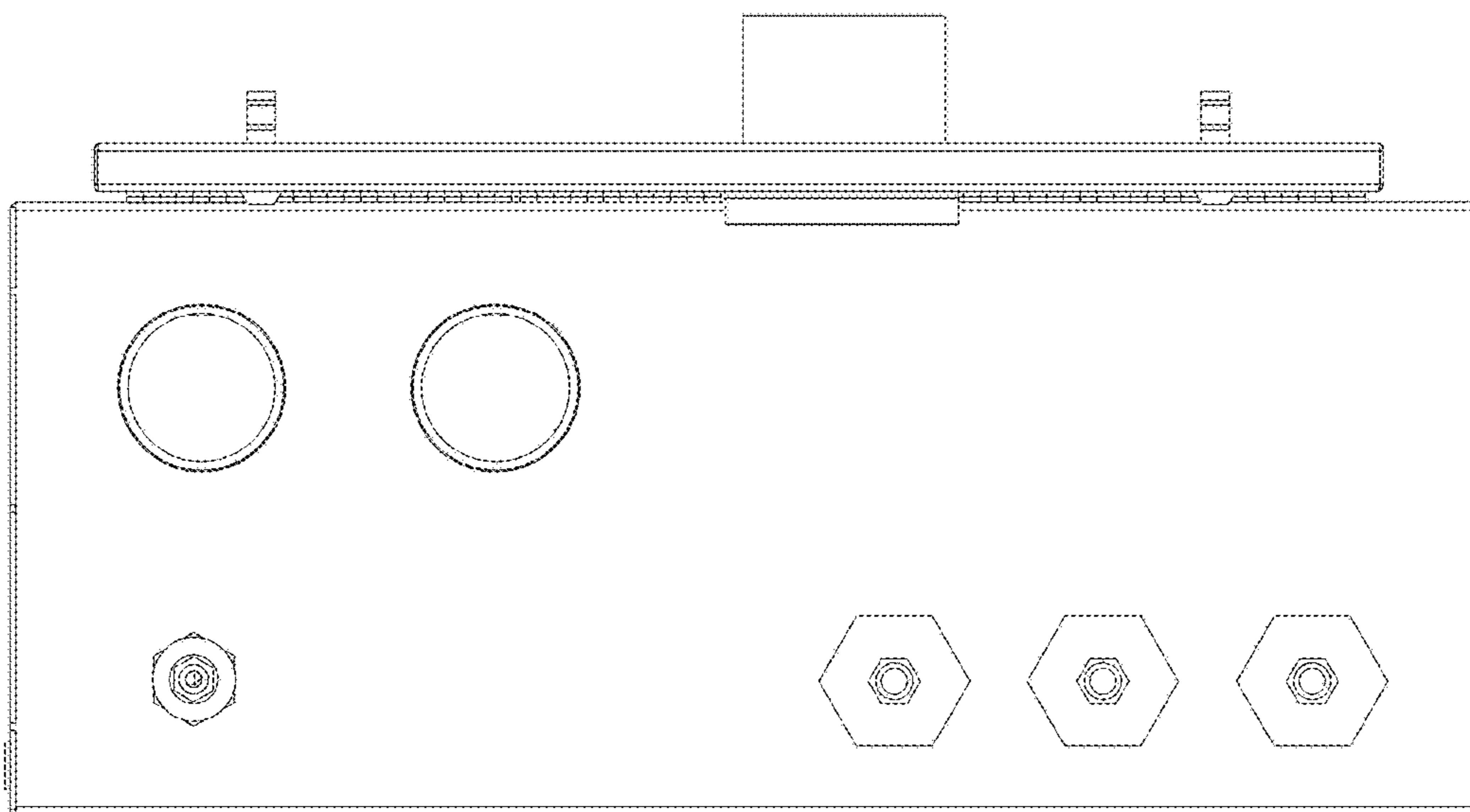


FIG. 4

