



US00D780883S

(12) **United States Design Patent** (10) **Patent No.:** **US D780,883 S**  
**Schaffner et al.** (45) **Date of Patent:** **\*\* Mar. 7, 2017**

(54) **RIGID PROPPANT CONTAINER**

(71) Applicant: **HALLIBURTON ENERGY SERVICES, INC.**, Houston, TX (US)

(72) Inventors: **Austin Carl Schaffner**, Duncan, OK (US); **Glenn Ray Fowler, III**, Duncan, OK (US); **Bryan Chapman Lucas**, Duncan, OK (US); **Calvin L. Stegemoeller**, Duncan, OK (US); **Wesley John Warren**, Marlow, OK (US); **Bryan John Lewis**, Duncan, OK (US); **Tim H. Hunter**, Duncan, OK (US); **Tori H. Miller**, Duncan, OK (US); **Thomas W. Hawkins**, Marlow, OK (US); **Jim Basuki Surjaatmadja**, Duncan, OK (US)

(73) Assignee: **HALLIBURTON ENERGY SERVICES, INC.**, Houston, TX (US)

(\*\*) Term: **15 Years**

(21) Appl. No.: **29/557,061**

(22) Filed: **Mar. 4, 2016**

(51) **LOC (10) Cl.** ..... **23-01**

(52) **U.S. Cl.**  
USPC ..... **D23/202**

(58) **Field of Classification Search**  
USPC ..... D23/202, 207, 210, 221, 223, 214, 209;  
D9/500, 501, 414, 506, 430  
CPC ..... A62C 37/12; A62C 35/68; B65G 64/04;  
B65G 1/00; B65D 85/00; B65D 1/00;  
B65D 88/54; B05B 7/2408; B05B 7/2416; C02F 1/003; C02F 1/283; C02F 9/005; A01K 63/045

See application file for complete search history.

(56) **References Cited**

U.S. PATENT DOCUMENTS

3,318,473 A	5/1967	Jones et al.	
D235,096 S *	5/1975	Mohr	D23/202
D273,523 S *	4/1984	DiSesa	D3/307
D282,880 S *	3/1986	Barati	D30/114
D320,055 S *	9/1991	Parker	D23/202
D413,702 S *	9/1999	Essary	D34/38
7,252,309 B2	8/2007	Eng Soon et al.	
D670,080 S *	11/2012	James	D3/304
D688,349 S	8/2013	Oren et al.	
D688,350 S	8/2013	Oren et al.	
D688,351 S	8/2013	Oren et al.	
D688,772 S	8/2013	Oren et al.	
8,505,780 B2	8/2013	Oren	
8,585,341 B1	11/2013	Oren et al.	
8,668,430 B2	3/2014	Oren et al.	

(Continued)

*Primary Examiner* — Robin V Webster  
*Assistant Examiner* — Rachel Voorhies  
(74) *Attorney, Agent, or Firm* — Polsinelli PC

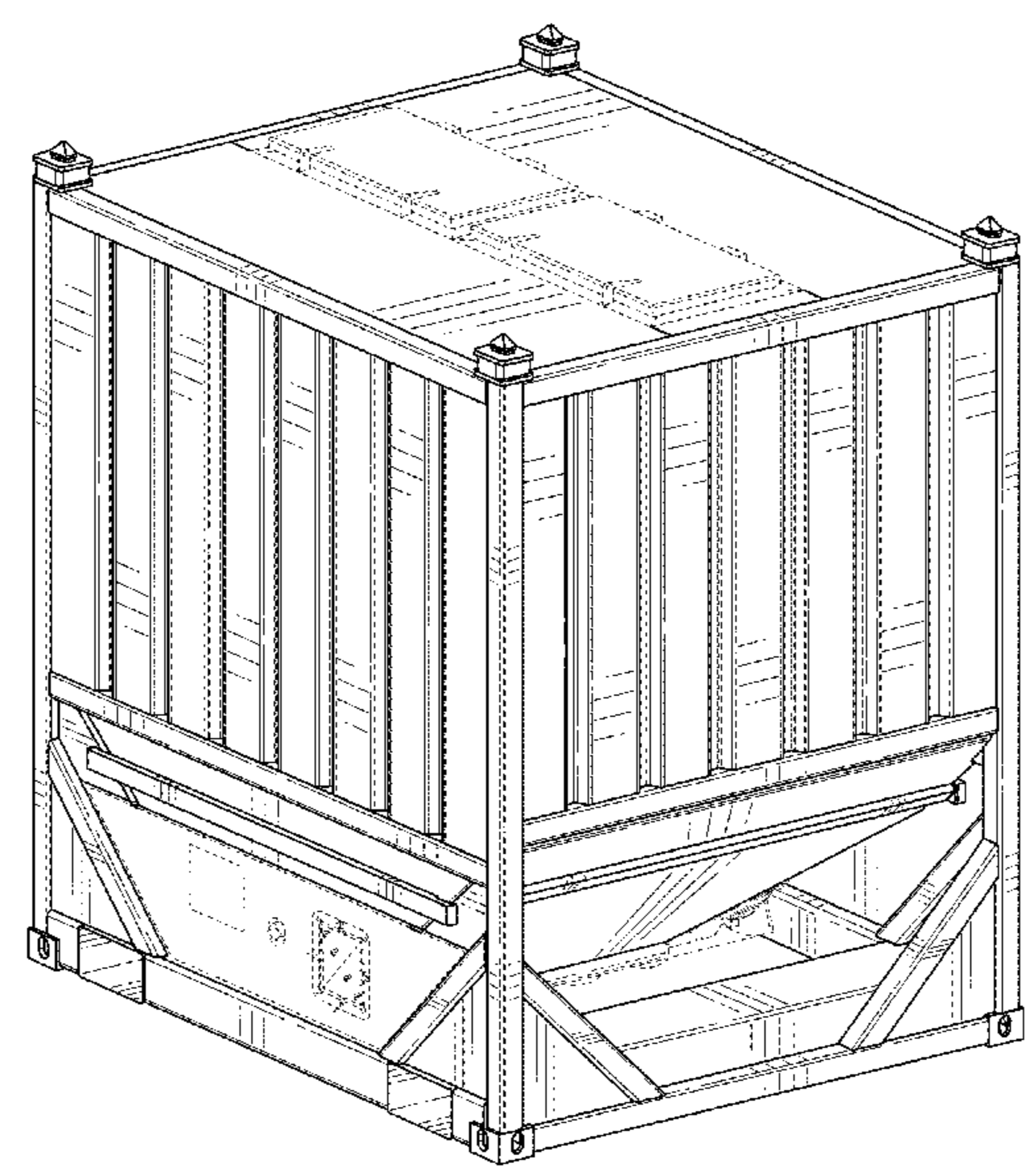
(57) **CLAIM**

We claim the ornamental design for a rigid proppant container, as shown and described.

**DESCRIPTION**

FIG. 1 is a perspective view of a embodiment of a rigid proppant container, showing my new design; FIG. 2 is a left side elevational view thereof; FIG. 3 is a right side elevational view thereof; FIG. 4 is a rear plan view thereof; FIG. 5 is a front plan view thereof; FIG. 6 is a top elevational view thereof; and, FIG. 7 is a bottom elevational view thereof. Broken lines are for illustrating unclaimed portions of the rigid proppant container, the broken lines form no part of the claimed design.

**1 Claim, 7 Drawing Sheets**



(56)

References Cited

U.S. PATENT DOCUMENTS

8,827,118 B2 9/2014 Oren  
 D723,225 S \* 2/2015 Lee ..... D30/108  
 8,944,740 B2 2/2015 Teichrob et al.  
 9,051,801 B1 \* 6/2015 Mintz ..... B65D 90/046  
 D740,556 S \* 10/2015 Huber ..... D3/272  
 RE45,788 E \* 11/2015 Oren ..... D23/202  
 D746,943 S \* 1/2016 Hart ..... D23/207  
 RE45,914 E \* 3/2016 Oren ..... D23/202  
 D761,379 S \* 7/2016 Hart ..... D23/202  
 2010/0025337 A1 \* 2/2010 Yencho ..... C02F 1/325  
 210/748.1  
 2010/0187192 A1 \* 7/2010 Ness ..... B65D 88/022  
 211/71.01  
 2011/0011893 A1 1/2011 Cerny  
 2013/0004272 A1 \* 1/2013 Mintz ..... B65D 88/54  
 414/304  
 2013/0206415 A1 8/2013 Sheesley  
 2014/0020892 A1 \* 1/2014 Oren ..... B65G 65/42  
 166/280.1  
 2014/0023465 A1 \* 1/2014 Oren ..... B65G 65/40  
 414/288

2014/0028037 A1 \* 1/2014 Ness ..... B65D 19/00  
 294/68.1  
 2014/0083554 A1 3/2014 Harris  
 2014/0109992 A1 \* 4/2014 Ness ..... B65D 19/385  
 137/376  
 2014/0246341 A1 9/2014 Oren  
 2014/0286716 A1 9/2014 Cochrum et al.  
 2014/0299226 A1 10/2014 Oren et al.  
 2015/0086307 A1 3/2015 Stefan  
 2015/0284194 A1 \* 10/2015 Oren ..... B65D 88/30  
 414/373  
 2015/0375930 A1 \* 12/2015 Oren ..... B65D 88/30  
 414/808  
 2016/0031658 A1 \* 2/2016 Oren ..... B65G 69/185  
 414/411  
 2016/0039433 A1 \* 2/2016 Oren ..... B61D 3/20  
 414/802  
 2016/0122125 A1 \* 5/2016 Friesen ..... B65D 88/54  
 414/304  
 2016/0130095 A1 \* 5/2016 Oren ..... B65G 65/40  
 414/414

\* cited by examiner

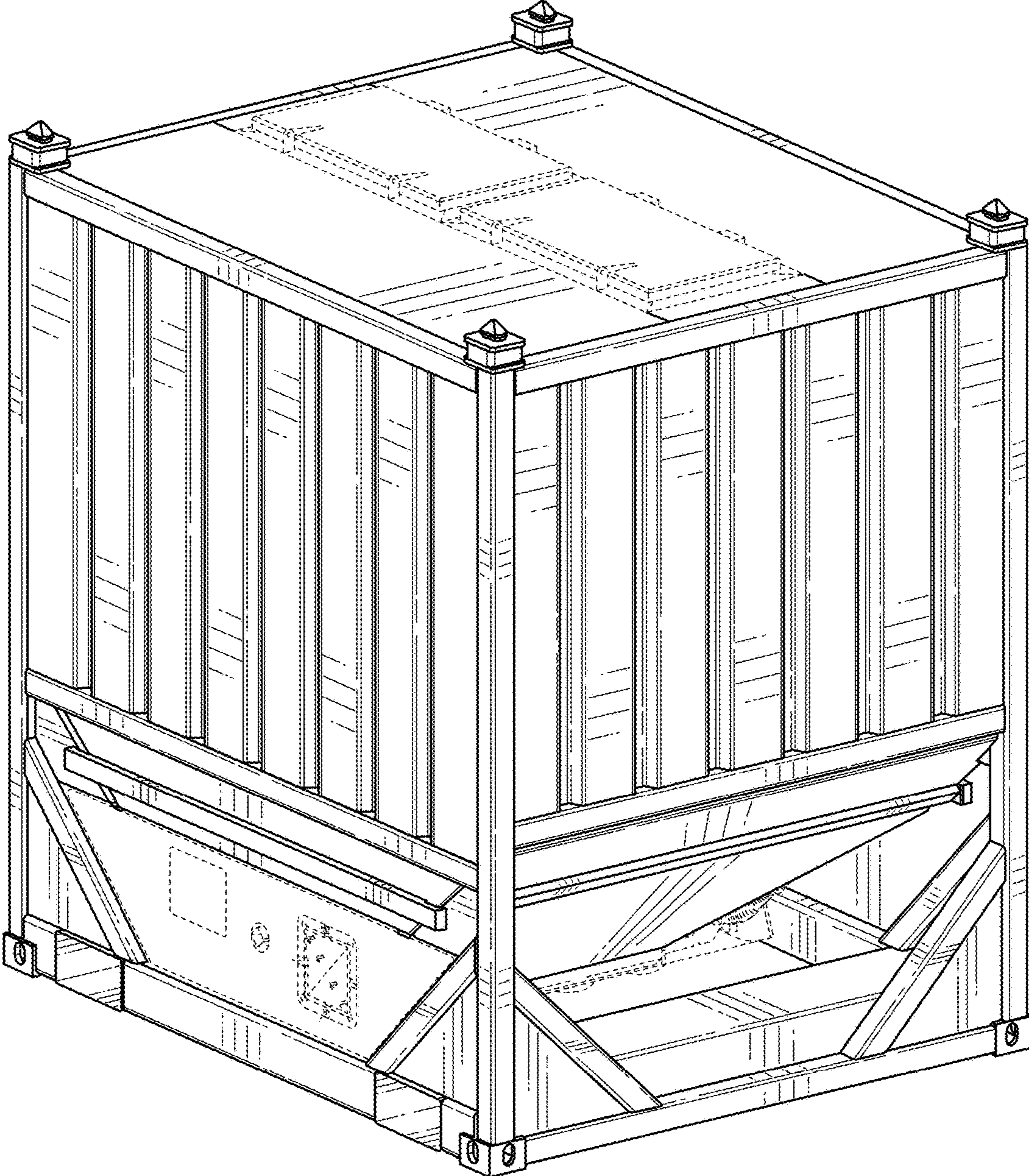


FIG. 1

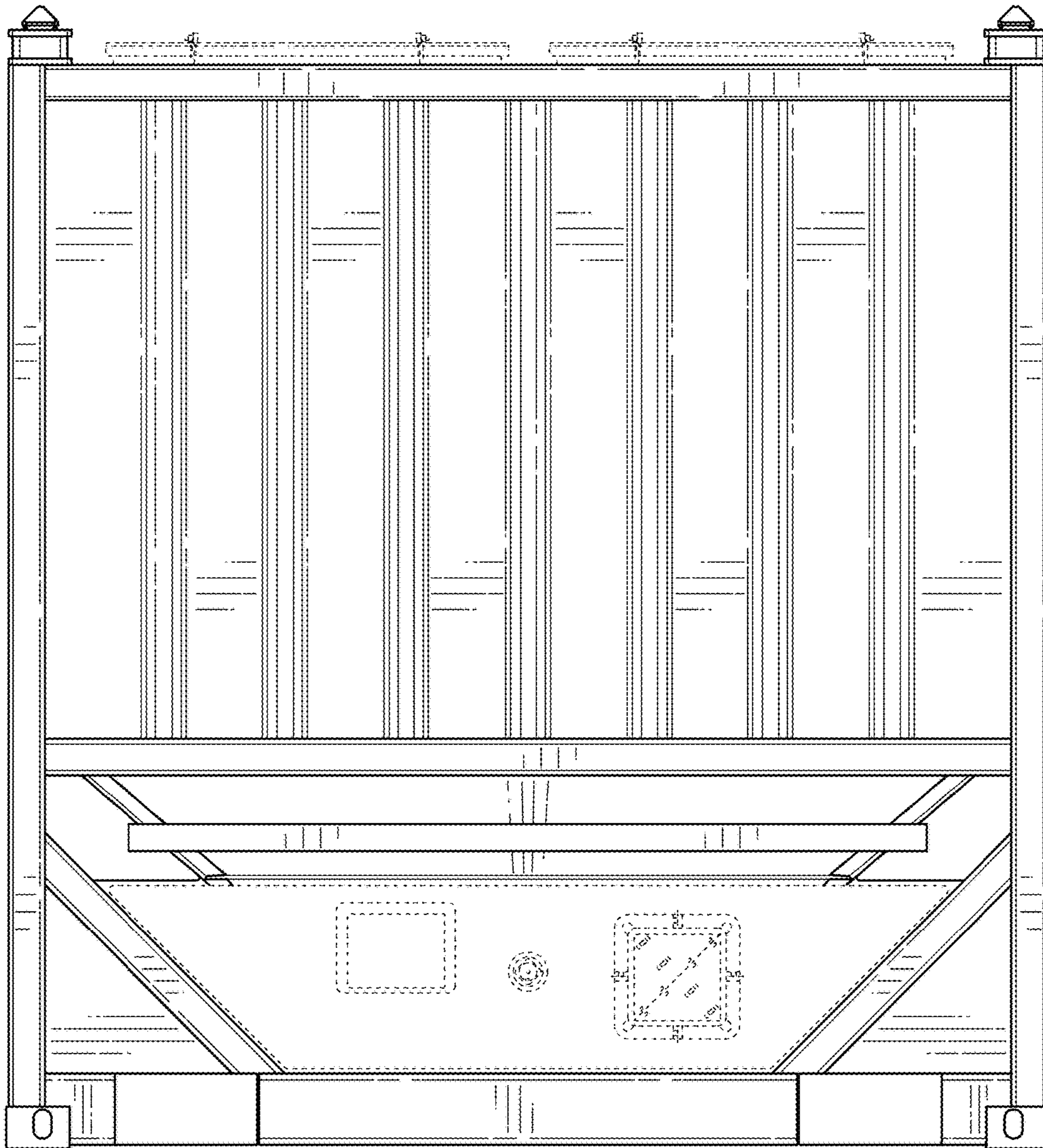


FIG. 2

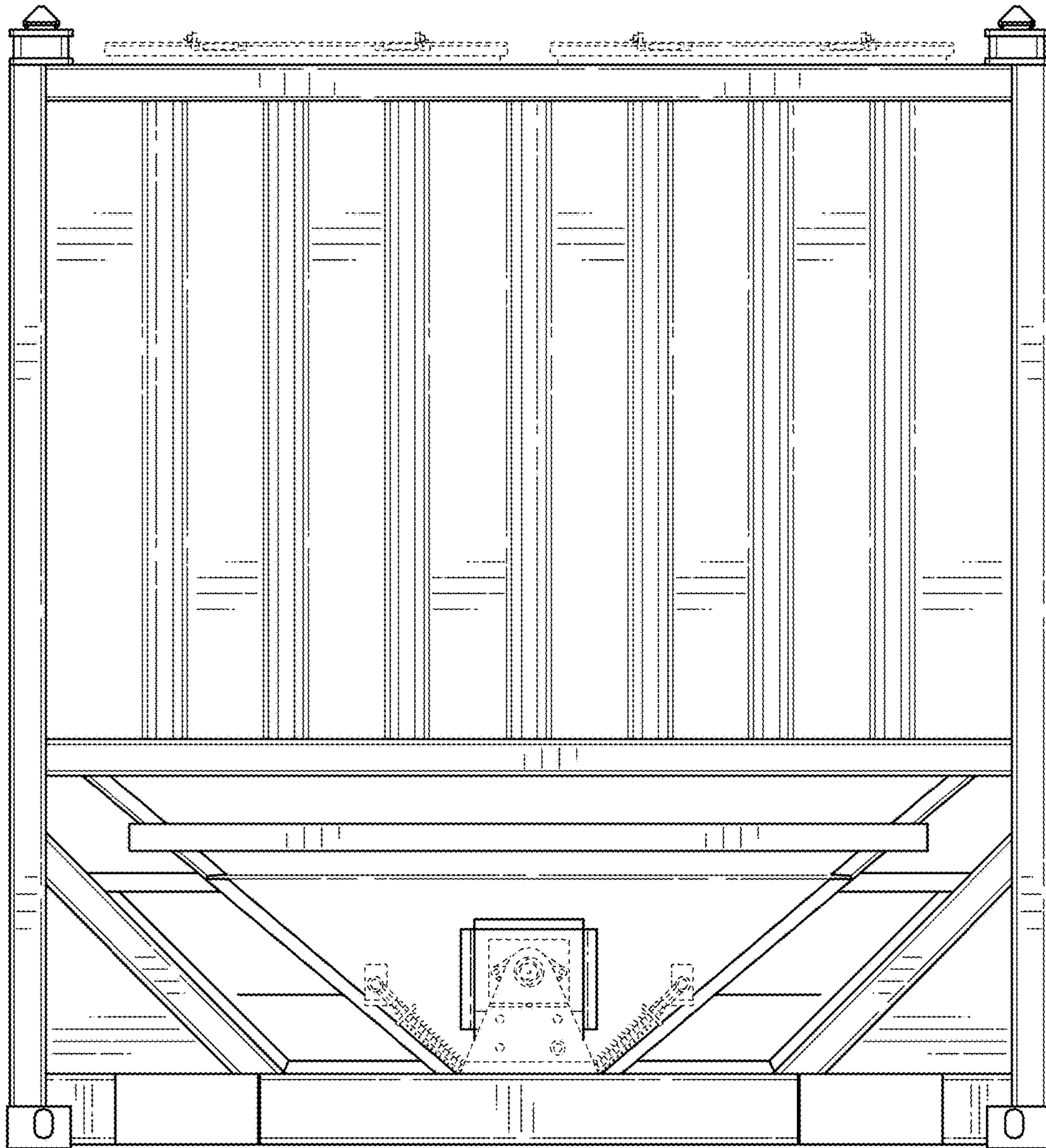


FIG. 3

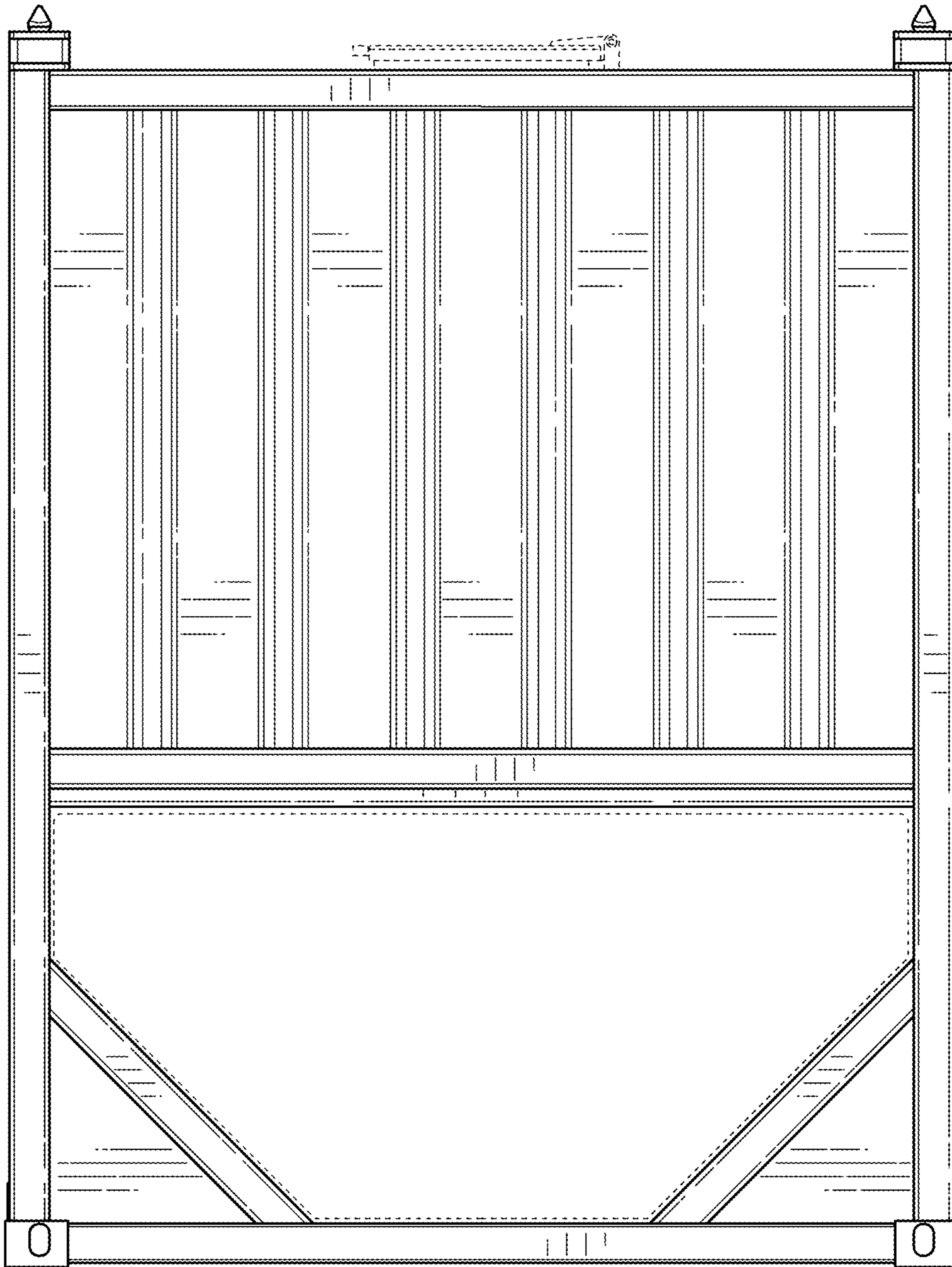


FIG. 4

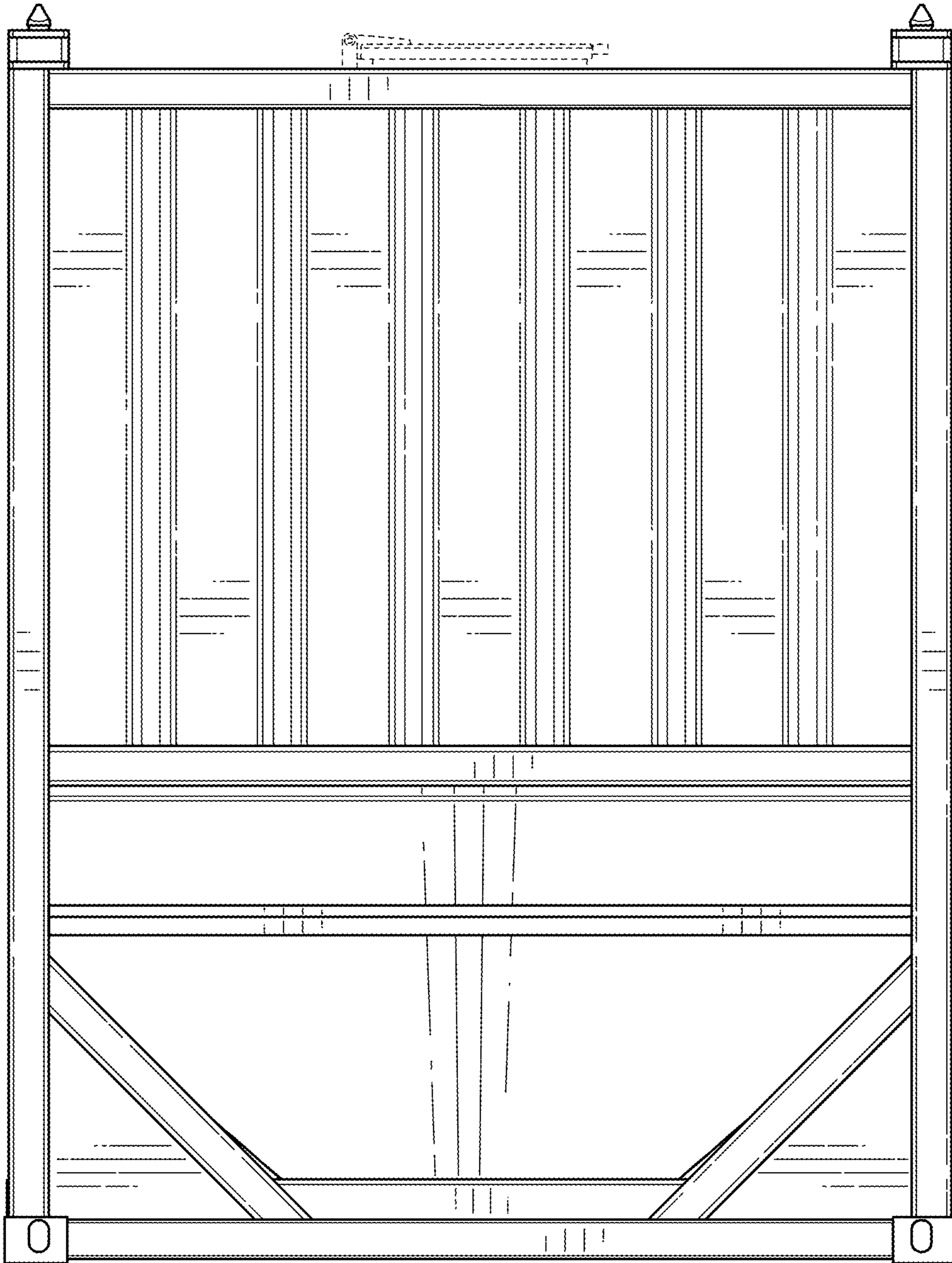


FIG. 5

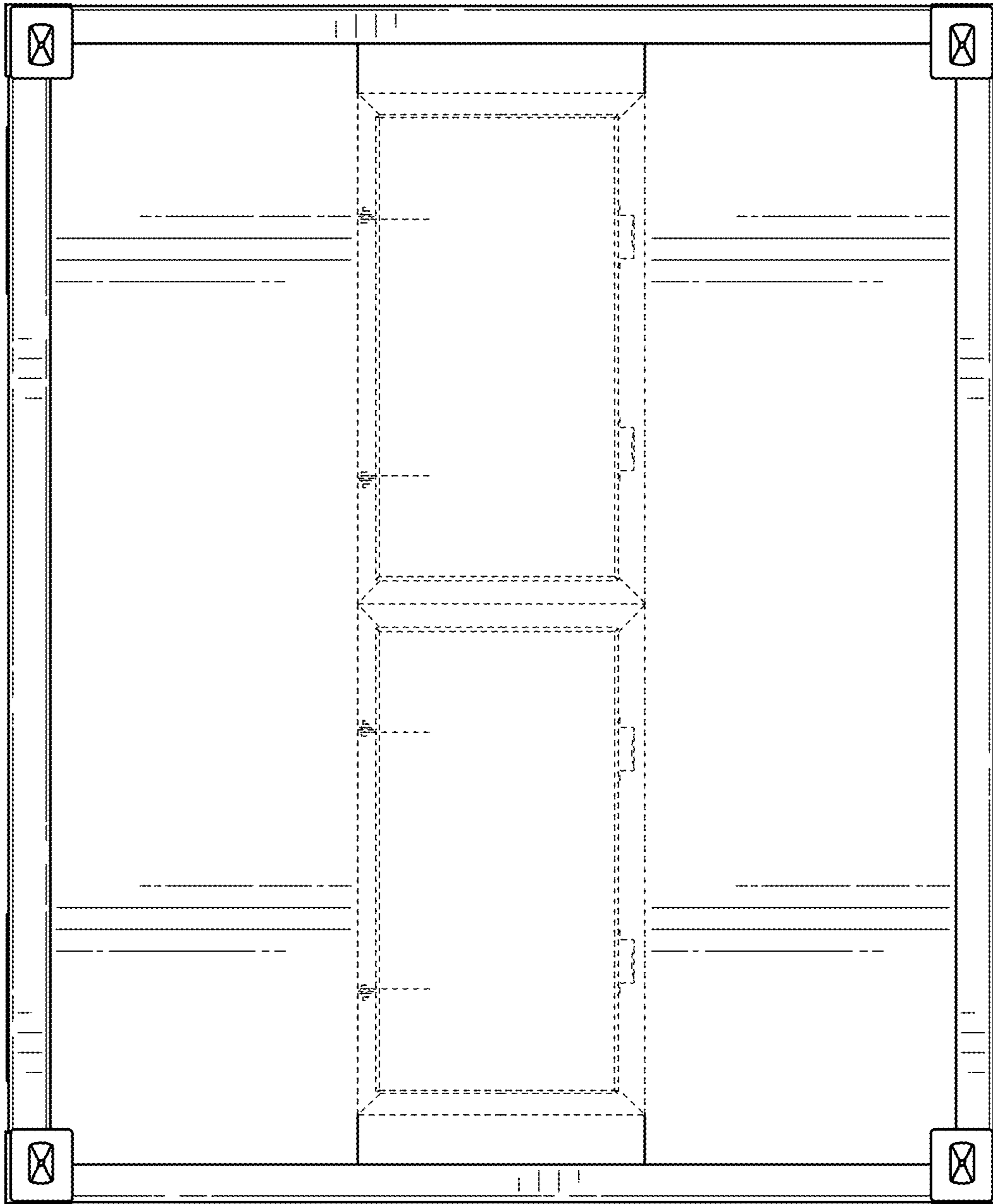


FIG. 6



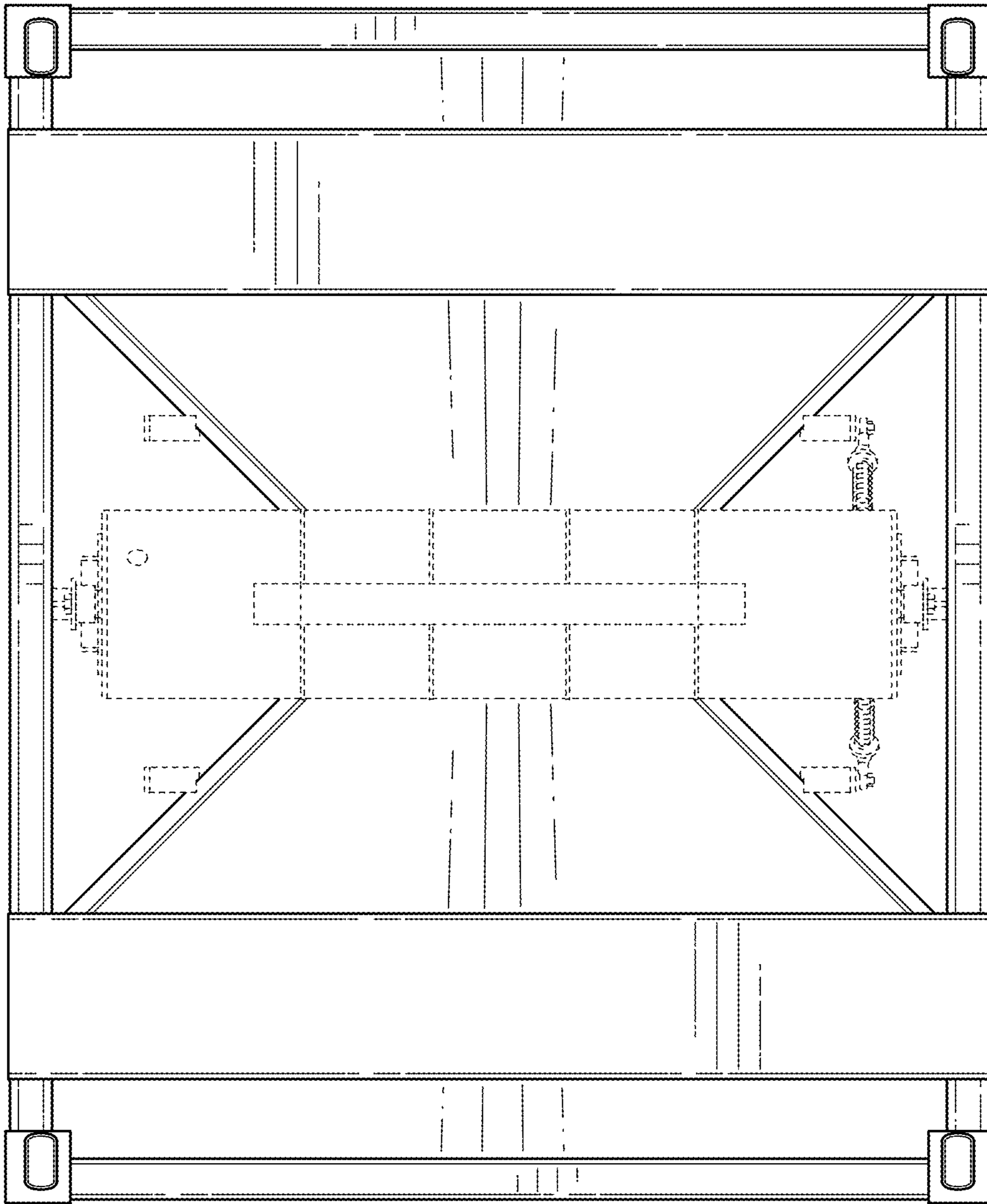


FIG. 7