



US00D780881S

(12) **United States Design Patent**
Olsen

(10) **Patent No.:** **US D780,881 S**
(45) **Date of Patent:** **** Mar. 7, 2017**

(54) **FISHING ROD HANDLE**

(71) Applicant: **Eric Olsen**, Daytona Beach, FL (US)

(72) Inventor: **Eric Olsen**, Daytona Beach, FL (US)

(**) Term: **15 Years**

(21) Appl. No.: **29/530,233**

(22) Filed: **Jun. 15, 2015**

(51) **LOC (10) Cl.** **22-05**

(52) **U.S. Cl.**
USPC **D22/142**

(58) **Field of Classification Search**
USPC D17/9, 13; D21/328; D22/141, 129, 137,
D22/140; D26/23, 41, 50, 87, 142, 155
(Continued)

(56) **References Cited**

U.S. PATENT DOCUMENTS

1,151,012 A 8/1915 Herringstad
1,796,249 A 3/1931 Gillaspay
(Continued)

Primary Examiner — Manpreet Matharu

Assistant Examiner — Suzanne Tisdell

(74) *Attorney, Agent, or Firm* — Brian S. Steinberger;
Law Offices of Brian S. Steinberger, P.A.

(57) **CLAIM**

The ornamental design for a fishing rod handle, as shown and described.

DESCRIPTION

FIG. 1 is a front right perspective view of an assembled novel fishing rod handle.

FIG. 2 is an upper front right perspective view of the fishing rod handle of FIG. 1.

FIG. 3 is a lower front right perspective view of the fishing rod handle of FIG. 1.

FIG. 4 is a front left perspective view of the fishing rod handle of FIG. 1.

FIG. 5 is an upper front left perspective view of the fishing rod handle of FIG. 1.

FIG. 6 is a lower front left perspective view of the fishing rod handle of FIG. 1.

FIG. 7 is a rear right perspective view of the fishing rod handle of FIG. 1.

FIG. 8 is an upper rear right perspective view of the fishing rod handle of FIG. 1.

FIG. 9 is a lower rear right perspective view of the fishing rod handle of FIG. 1.

FIG. 10 is a rear left perspective view of the fishing rod handle of FIG. 1.

FIG. 11 is an upper rear left perspective view of the fishing rod handle of FIG. 1.

FIG. 12 is a lower rear left perspective view of the fishing rod handle of FIG. 1.

FIG. 13 is a front side view of the fishing rod handle of FIG. 1.

FIG. 14 is a rear side view of the fishing rod handle of FIG. 1.

FIG. 15 is a top view of the fishing rod handle of FIG. 1.

FIG. 16 is a bottom view of the fishing rod handle of FIG. 1.

FIG. 17 is a left side view of the fishing rod handle of FIG. 1.

FIG. 18 is a right side view of the fishing rod handle of FIG. 1.

FIG. 19 is an exploded front right perspective view of the fishing rod handle of FIG. 1.

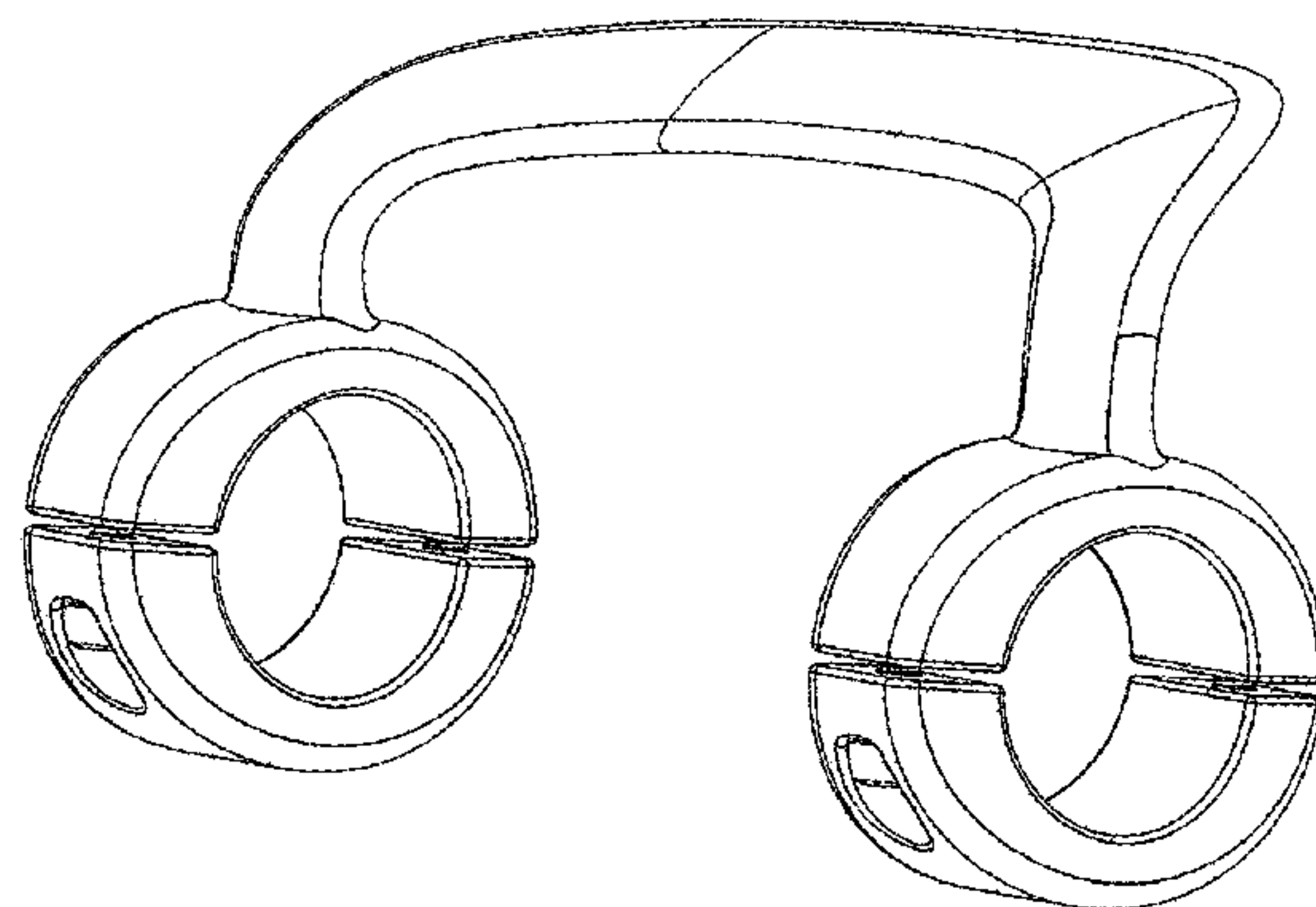
FIG. 20 is another exploded front right perspective view of the fishing rod handle of FIG. 19 about to be attached to a fishing rod.

FIG. 21 is another front right perspective view of the fishing rod handle of FIG. 1 with attached fishing rod shown in FIG. 20.

FIG. 22 is a rear left perspective view of the fishing rod handle with attached fishing rod of FIG. 21; and,

FIG. 23 is another front right perspective view of the fishing rod handle with attached fishing rod of FIG. 21 adapted for use with a hand grip.

(Continued)



The broken lines in FIGS. 20-23 show environmental matter that forms no part of the claimed design.

1 Claim, 23 Drawing Sheets

(58) Field of Classification Search

CPC A01K 87/06; A01K 97/10
See application file for complete search history.

(56) References Cited

U.S. PATENT DOCUMENTS

| | | | | |
|-----------|-----|---------|---------------|-----------------------|
| 2,390,544 | A | 12/1945 | Lamb | |
| 2,505,075 | A * | 4/1950 | Weinberger | F16M 11/00 248/121 |
| 3,155,414 | A | 11/1964 | Bales | |
| 3,213,563 | A | 10/1965 | Zeigler | |
| D228,278 | S | 9/1973 | Tegner | |
| 4,041,635 | A | 8/1977 | Savage | |
| D250,853 | S * | 1/1979 | Fund | D26/142 |
| D258,231 | S * | 2/1981 | Airhart | D22/142 |
| D289,193 | S * | 4/1987 | Childre | D22/142 |
| D299,737 | S * | 2/1989 | Andreasen | D22/142 |
| D314,287 | S * | 2/1991 | Albright, Sr. | D22/147 |
| 5,065,475 | A | 11/1991 | Watt | |
| 5,088,225 | A * | 2/1992 | Yamamoto | A01K 87/06 43/22 |
| D324,409 | S * | 3/1992 | LaTouche | D22/142 |
| D327,727 | S * | 7/1992 | Robbins | D22/142 |

| | | | | |
|--------------|------|---------|-------------|-----------------------|
| D330,839 | S | 11/1992 | Barrington | |
| D331,617 | S * | 12/1992 | Onishi | D22/142 |
| D342,985 | S * | 1/1994 | Grice | D22/142 |
| D352,341 | S * | 11/1994 | Park | D22/142 |
| D353,262 | S * | 12/1994 | Cantavespre | D22/139 |
| D356,622 | S | 3/1995 | Balkenbush | |
| D384,573 | S | 10/1997 | Lee | |
| D407,292 | S | 3/1999 | Carsello | |
| 6,237,274 | B1 | 5/2001 | Head | |
| 6,397,511 | B1 * | 6/2002 | Atnip | A01K 87/06 43/22 |
| 6,705,041 | B2 | 3/2004 | Hays | |
| D508,727 | S * | 8/2005 | Peters | D12/133 |
| 7,657,972 | B2 | 2/2010 | Jenkins | |
| 7,854,086 | B2 | 12/2010 | Huynh | |
| D667,992 | S * | 9/2012 | Serrano | D26/155 |
| 8,381,358 | B1 | 2/2013 | Frey | |
| D698,482 | S * | 1/2014 | Chen | D26/142 |
| D721,448 | S * | 1/2015 | Solstad | D26/23 |
| D749,189 | S * | 2/2016 | Noraker | D22/142 |
| D750,735 | S * | 3/2016 | Nakamichi | D22/147 |
| D752,176 | S * | 3/2016 | Johns | D22/147 |
| 2003/0057721 | A1 | 3/2003 | Ducklow | |
| 2012/0017487 | A1 * | 1/2012 | O'Keefe | A01K 97/10 43/21.2 |
| 2014/0047758 | A1 * | 2/2014 | Ciciulla | A01K 97/10 43/21.2 |
| 2016/0037762 | A1 * | 2/2016 | Thomas | A01K 97/10 248/636 |
| 2016/0192628 | A1 * | 7/2016 | Omura | A01K 87/06 43/22 |

* cited by examiner

FIG. 1

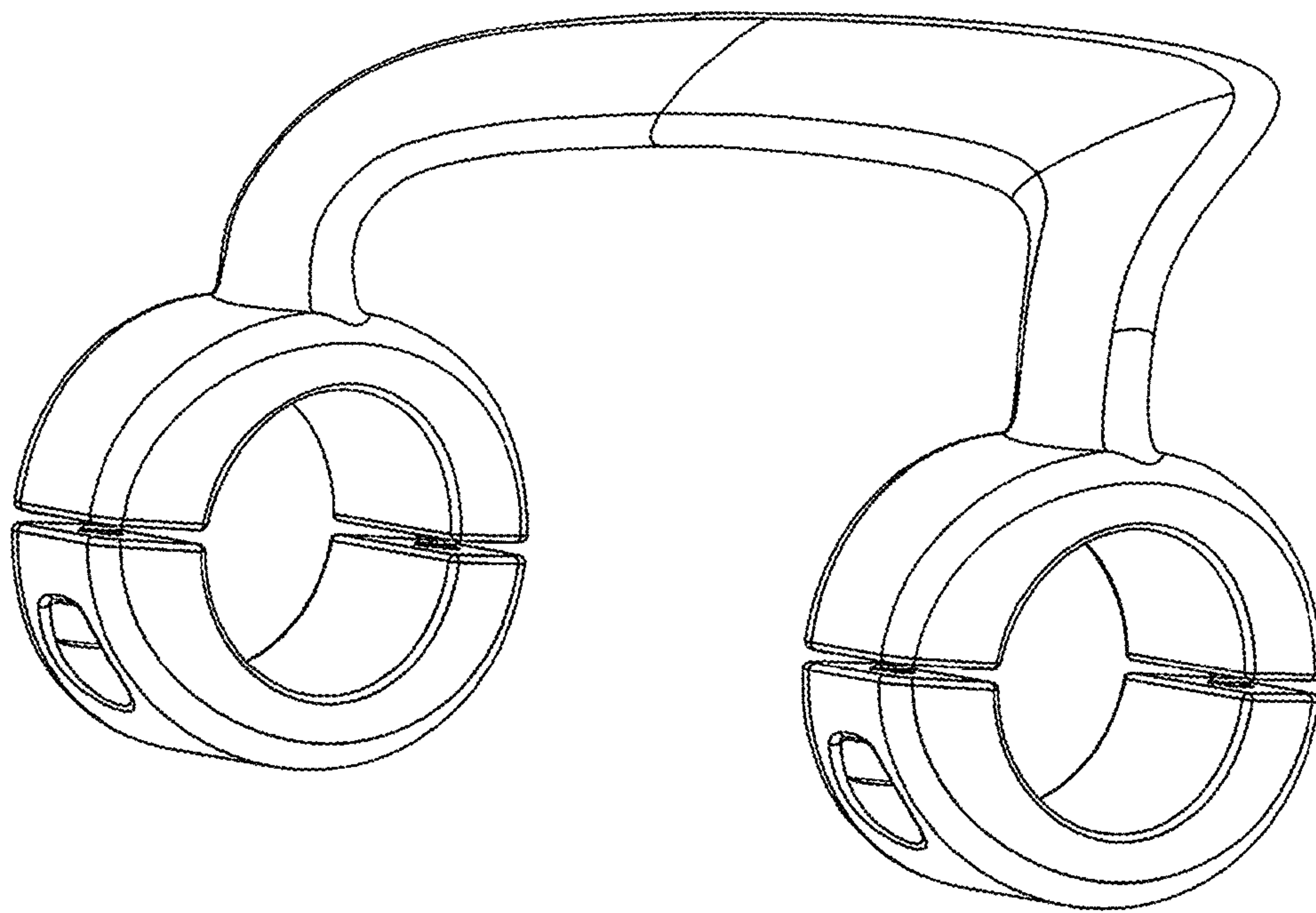


FIG. 2

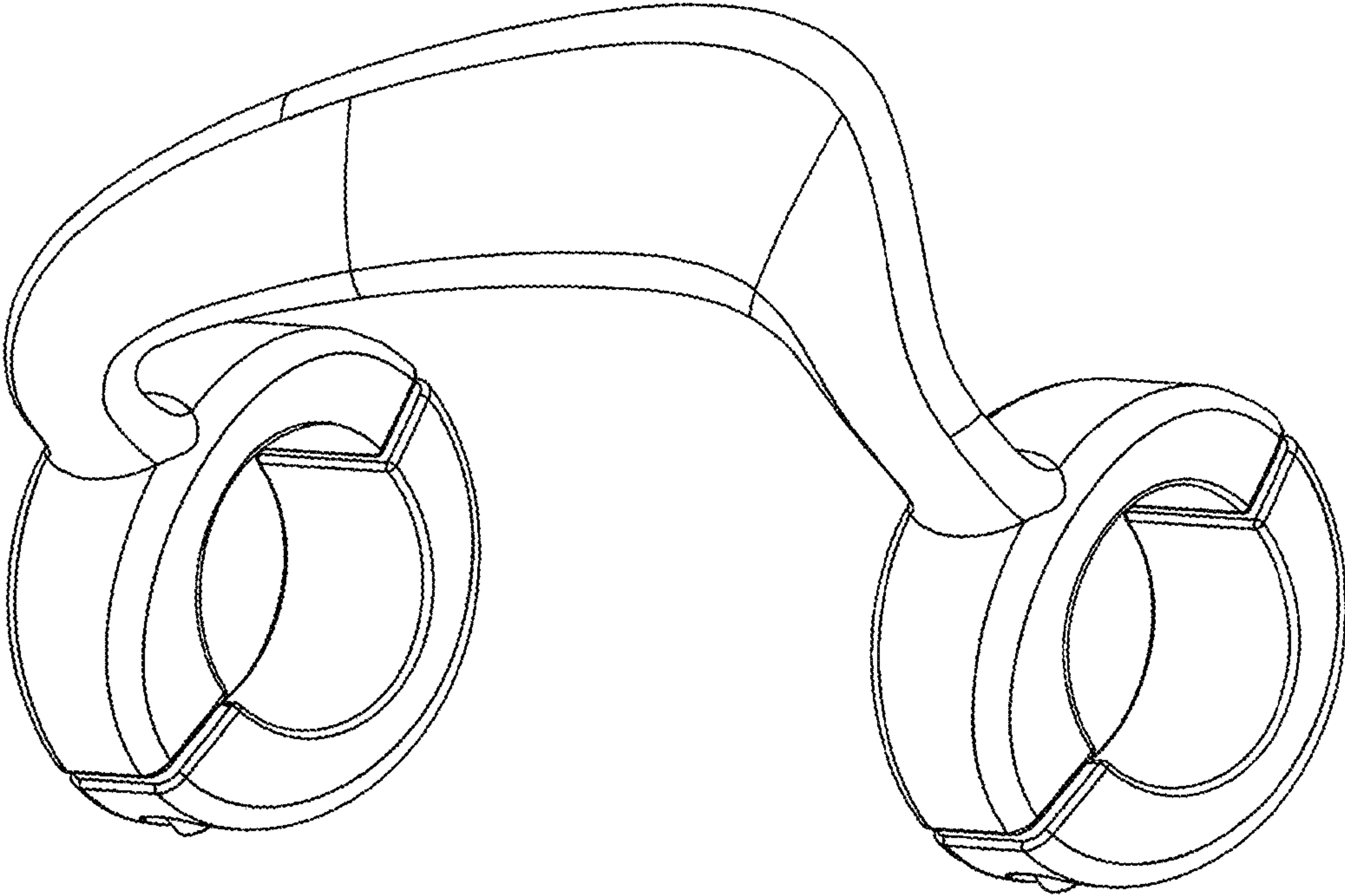


FIG. 3

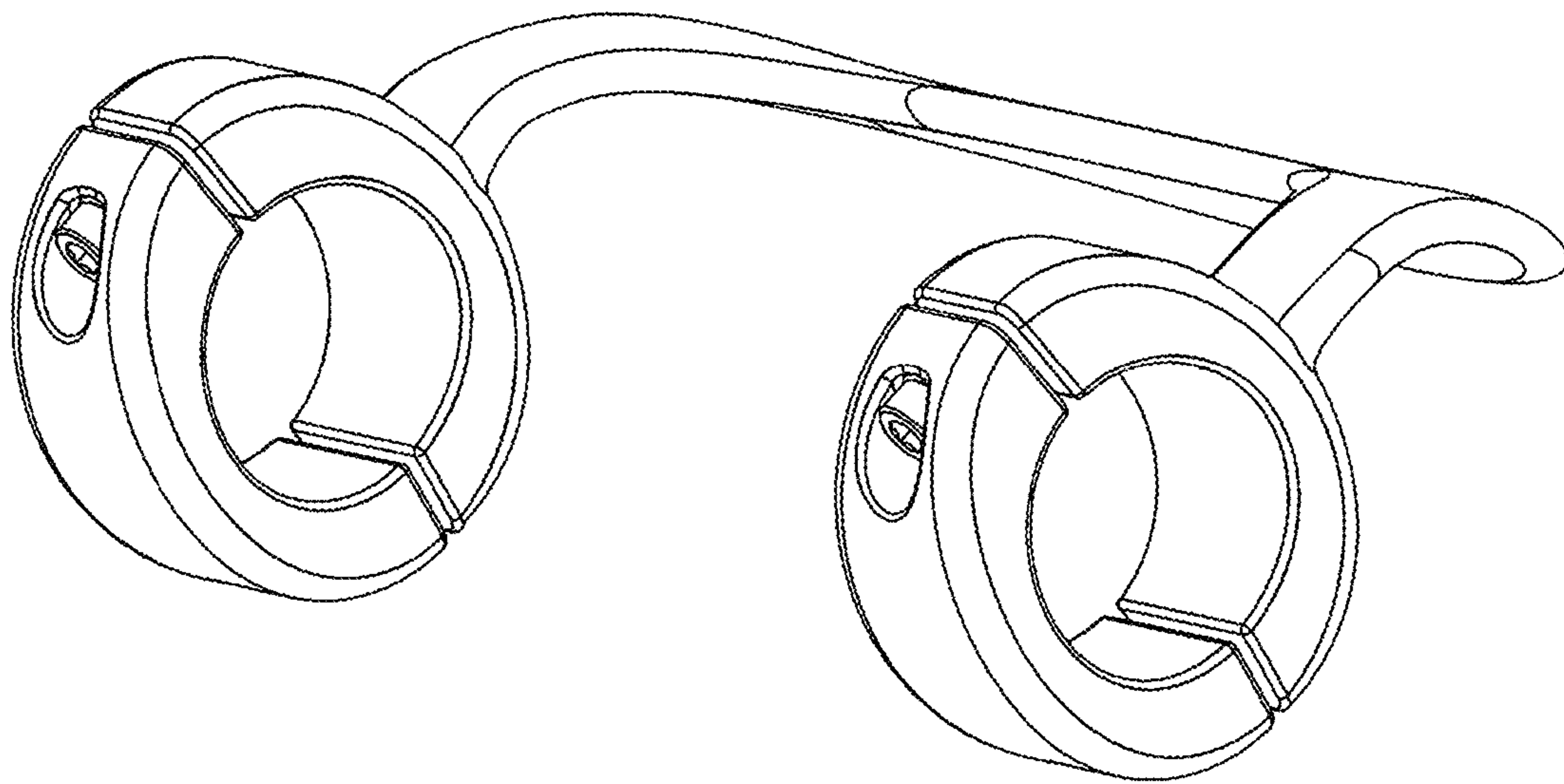


FIG. 4

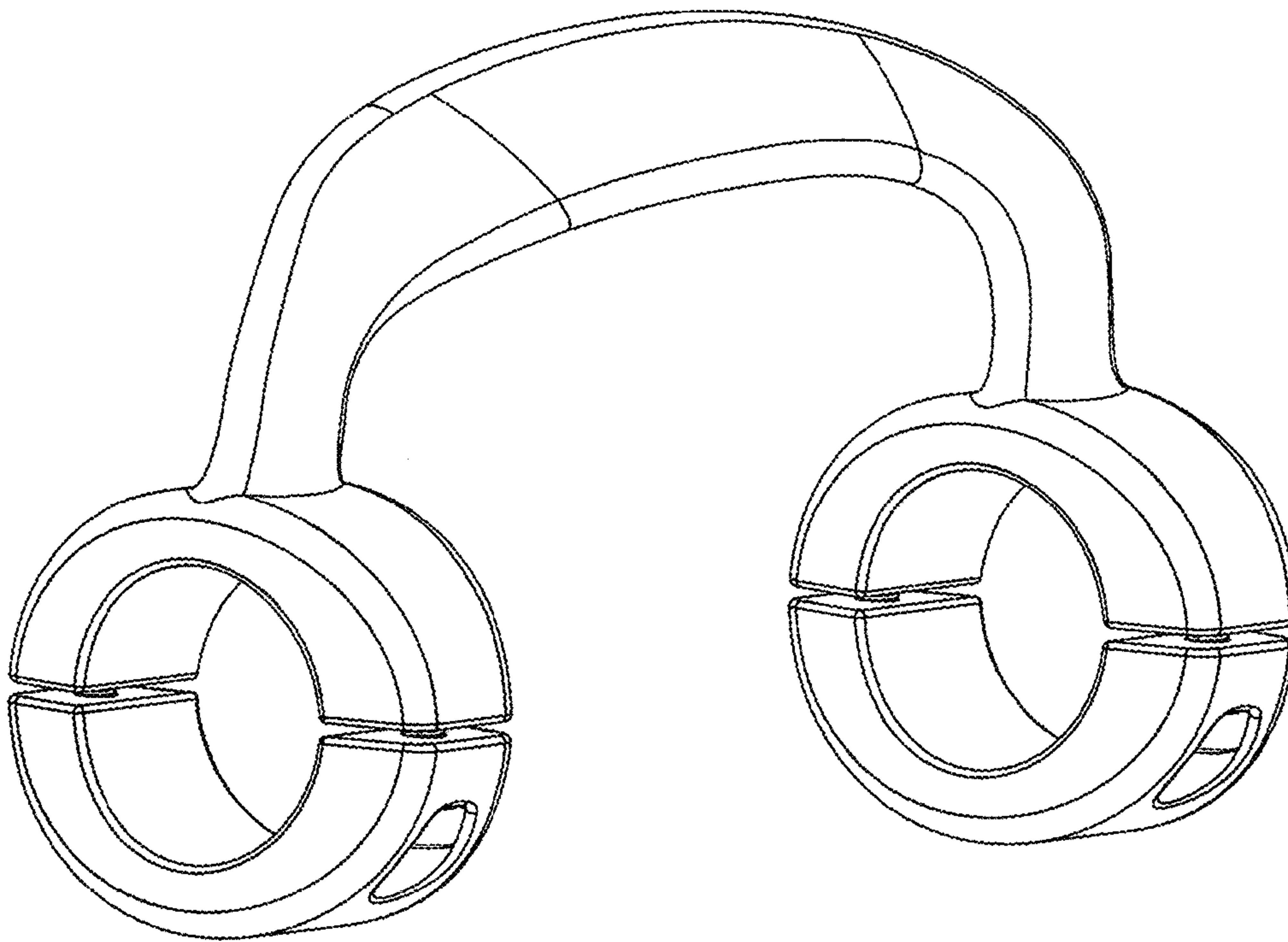


FIG. 5

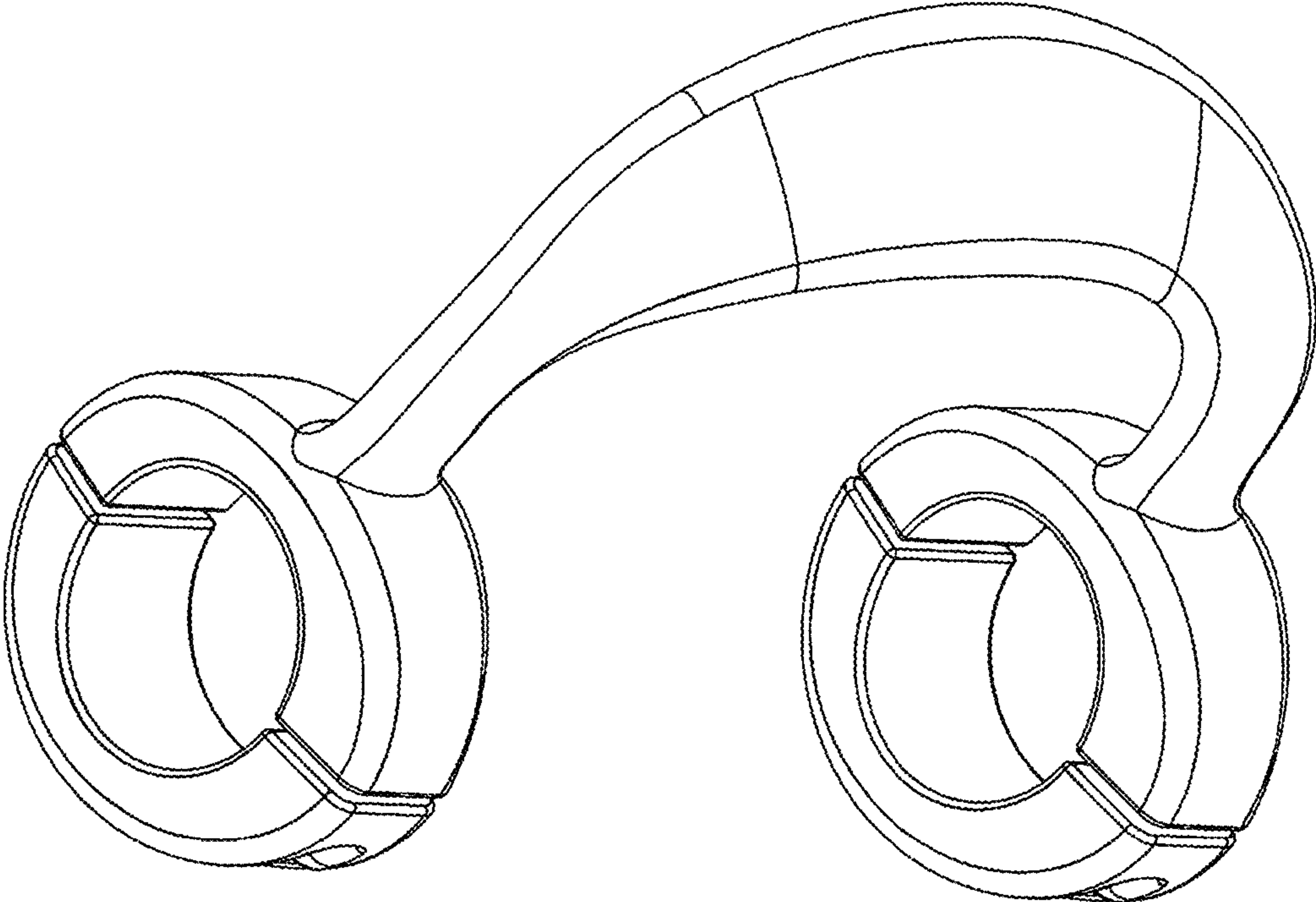


FIG. 6

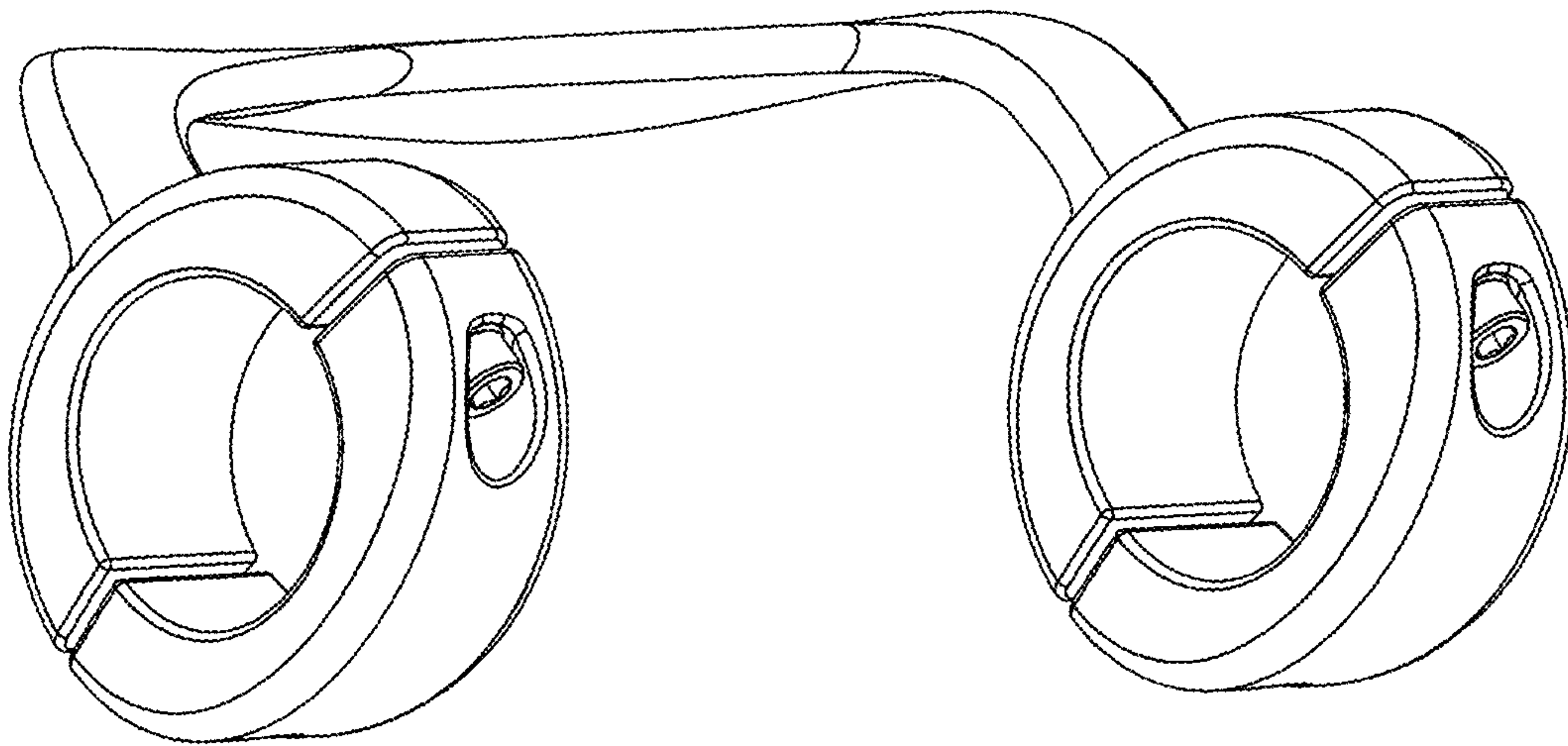


FIG. 7

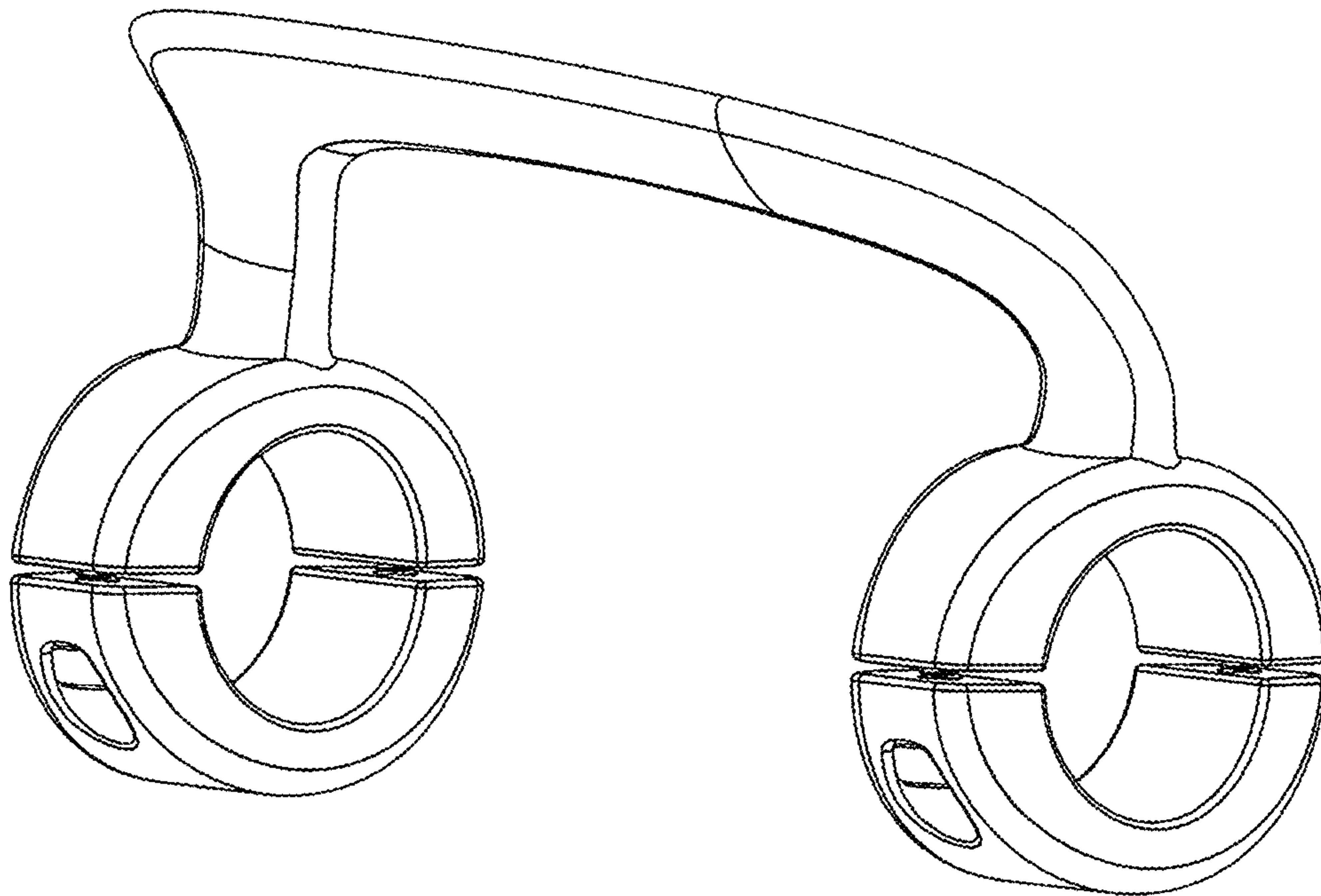


FIG. 8

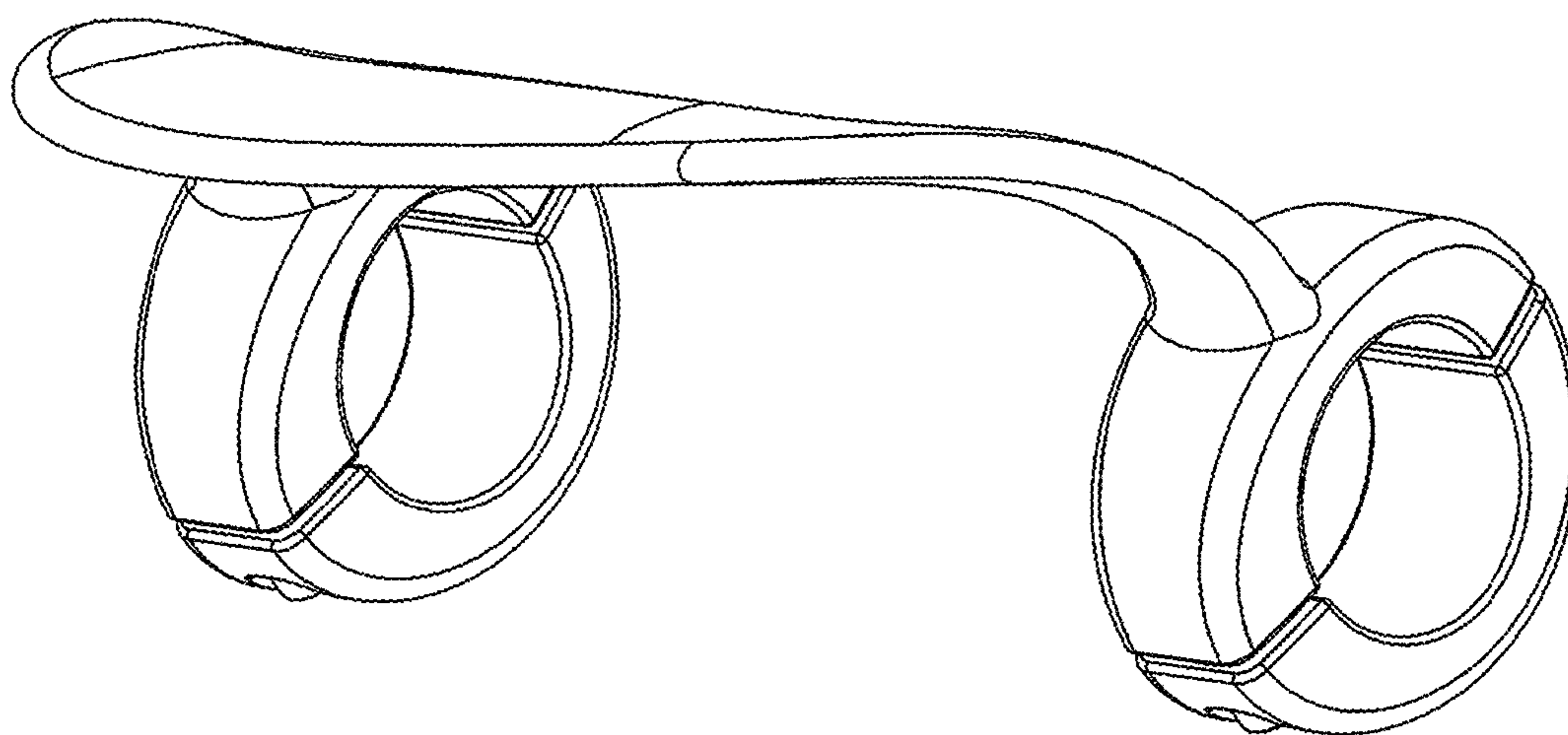


FIG. 9

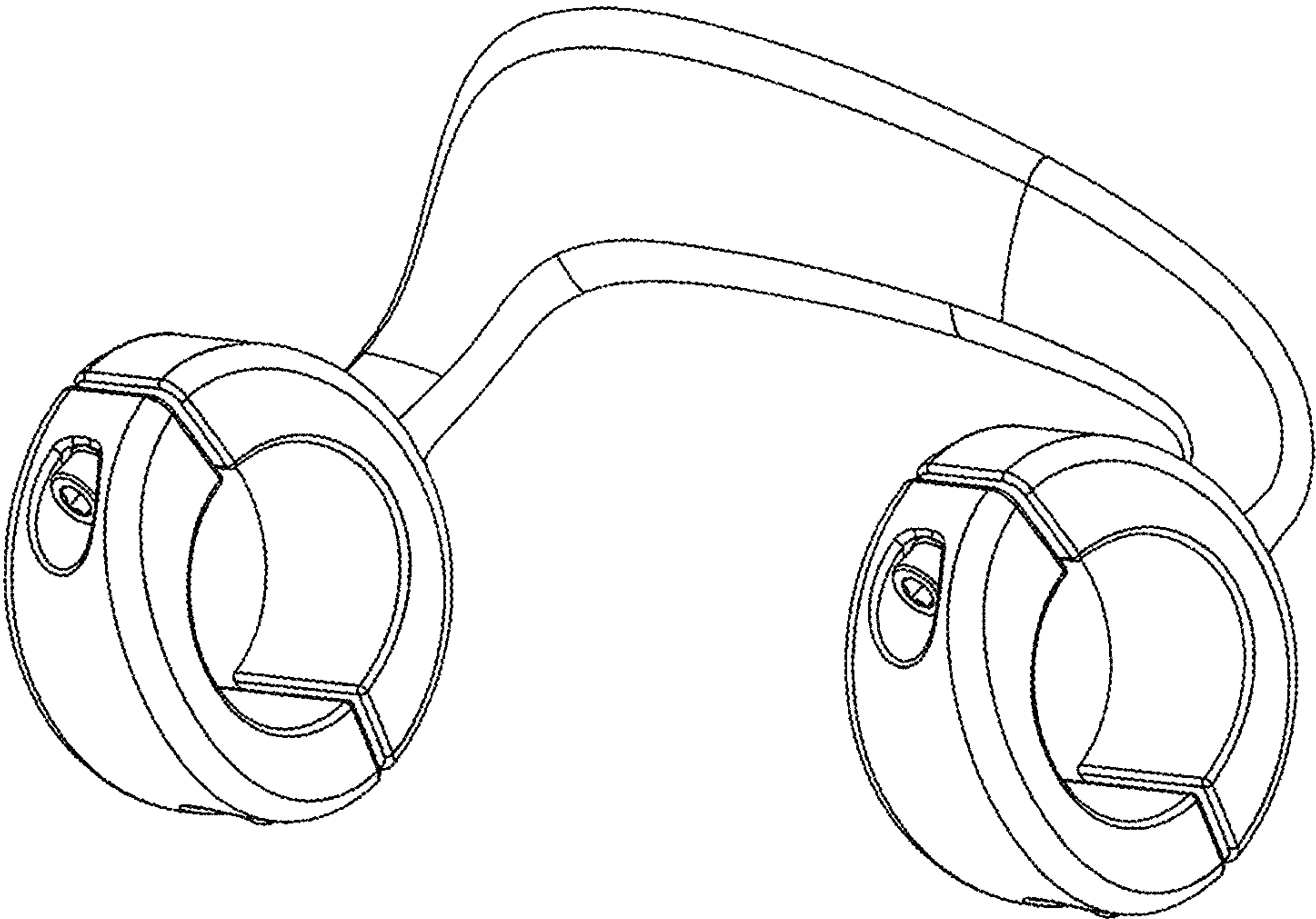


FIG. 10

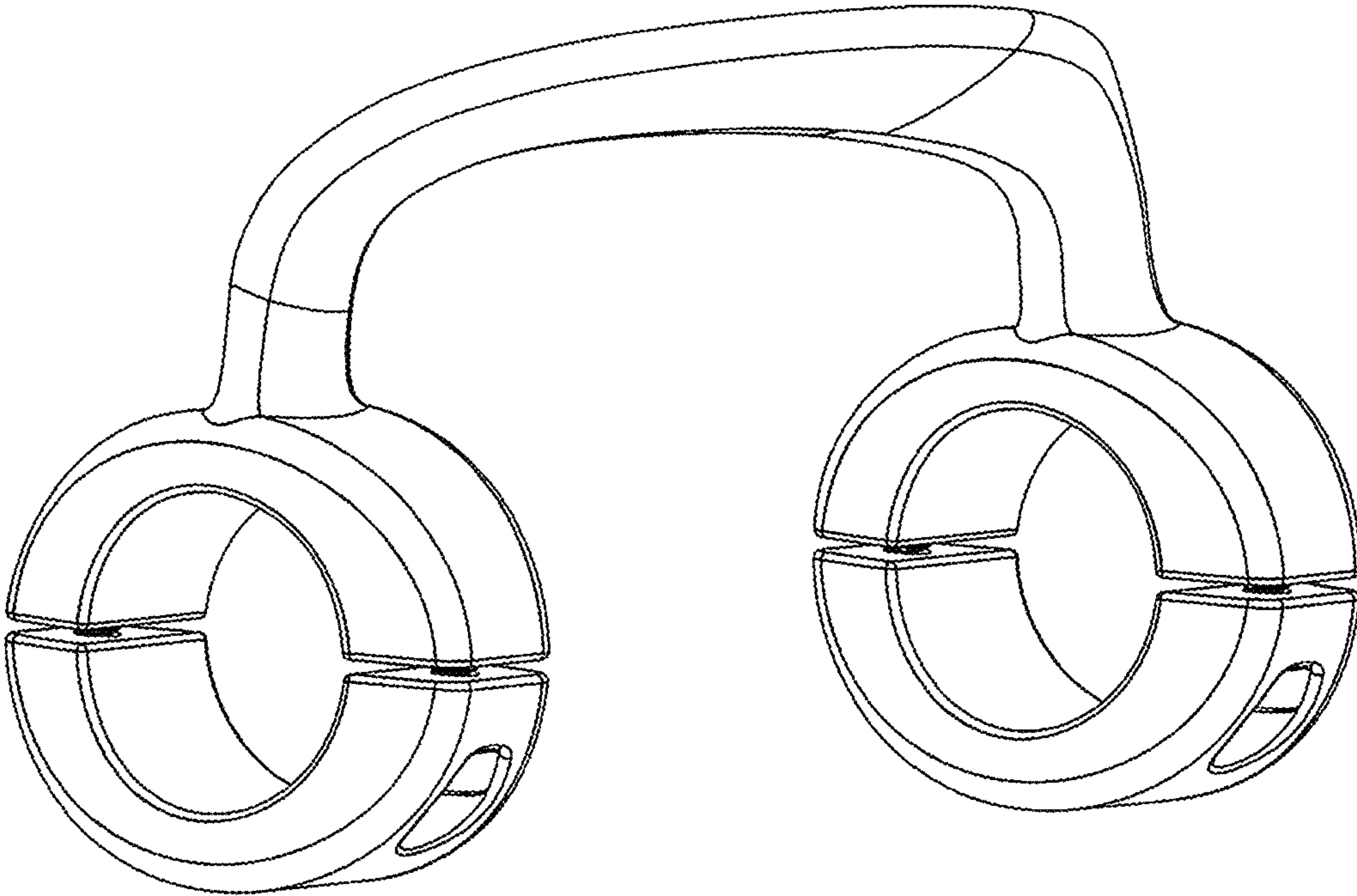


FIG. 11

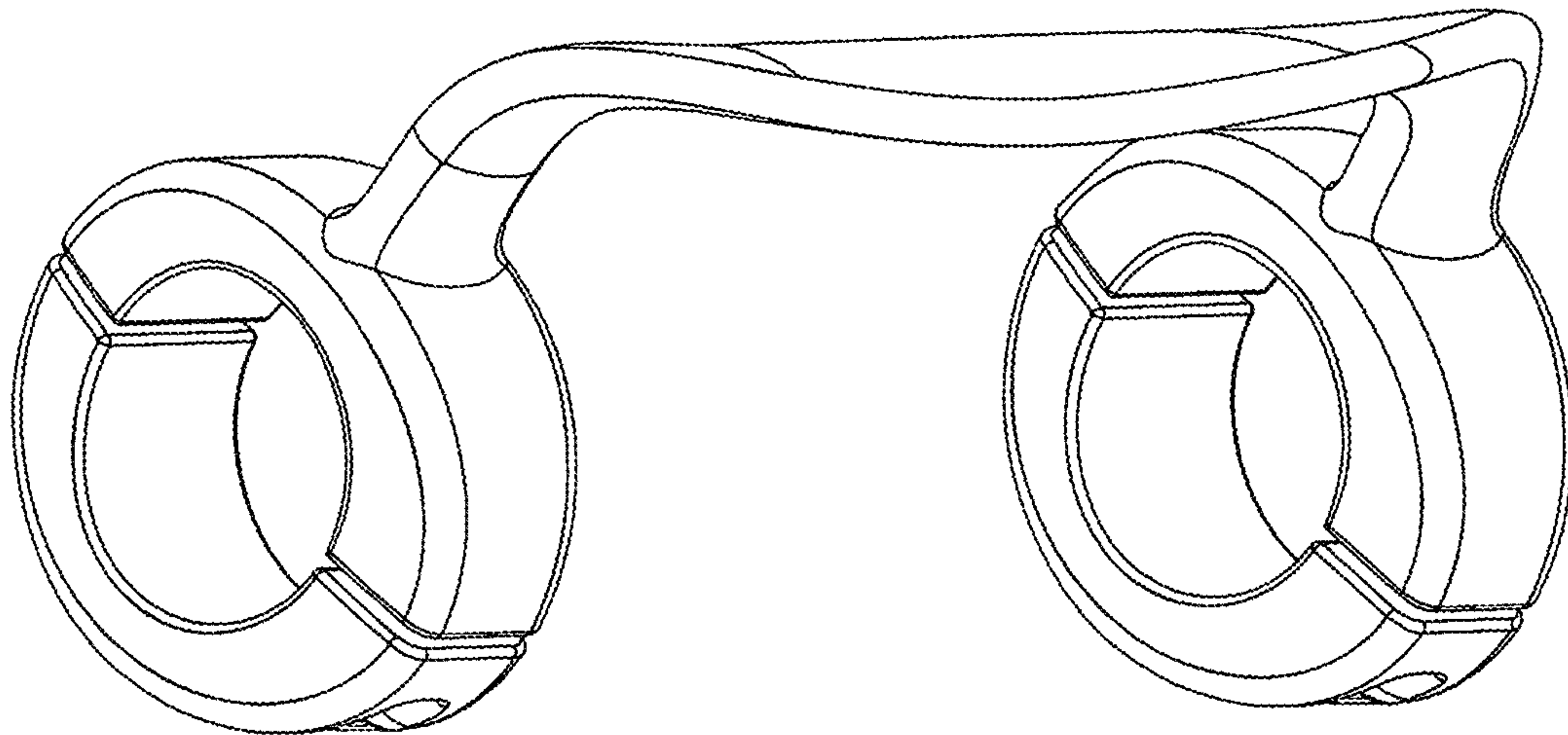


FIG. 12

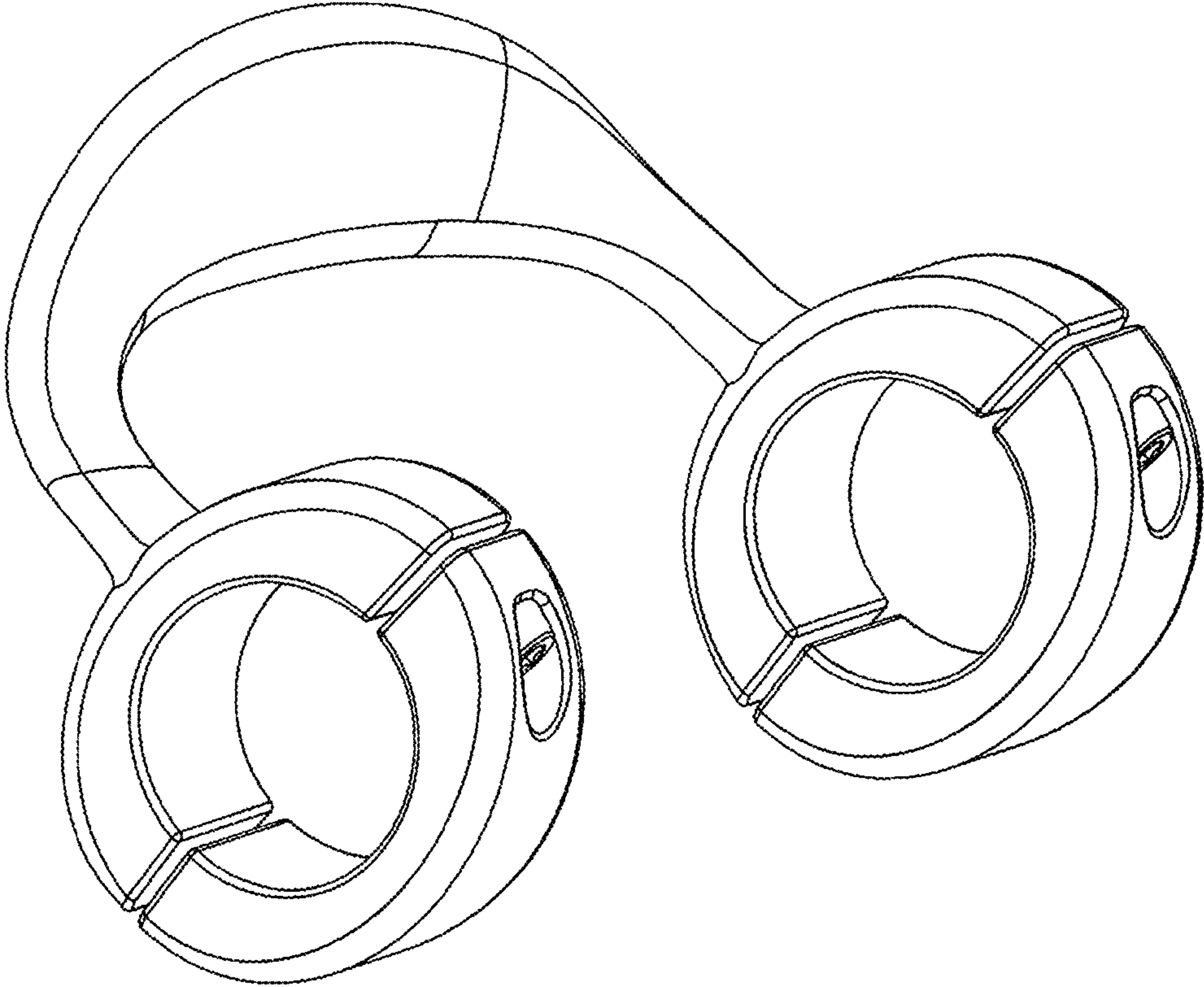


FIG. 13

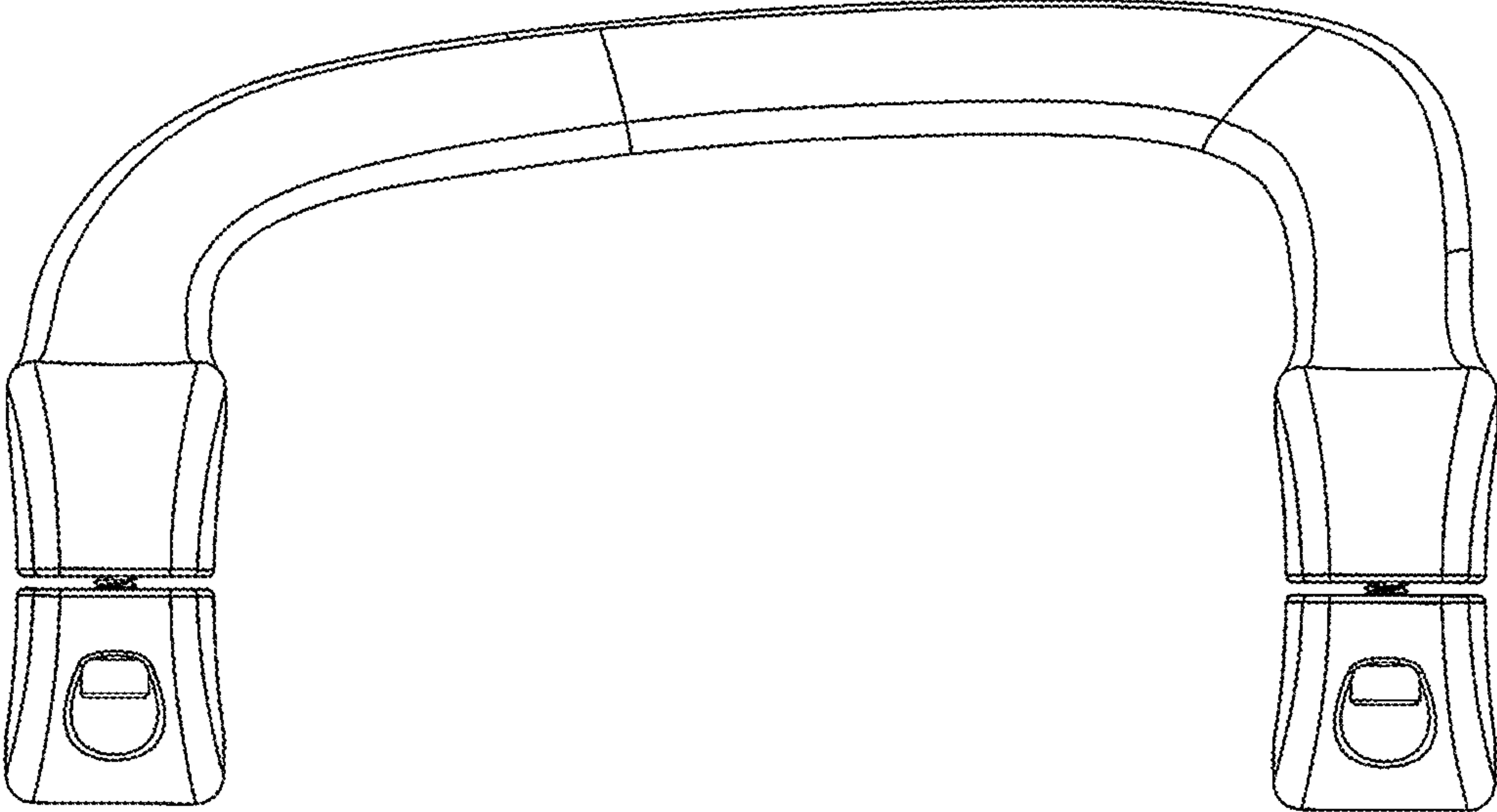


FIG. 14

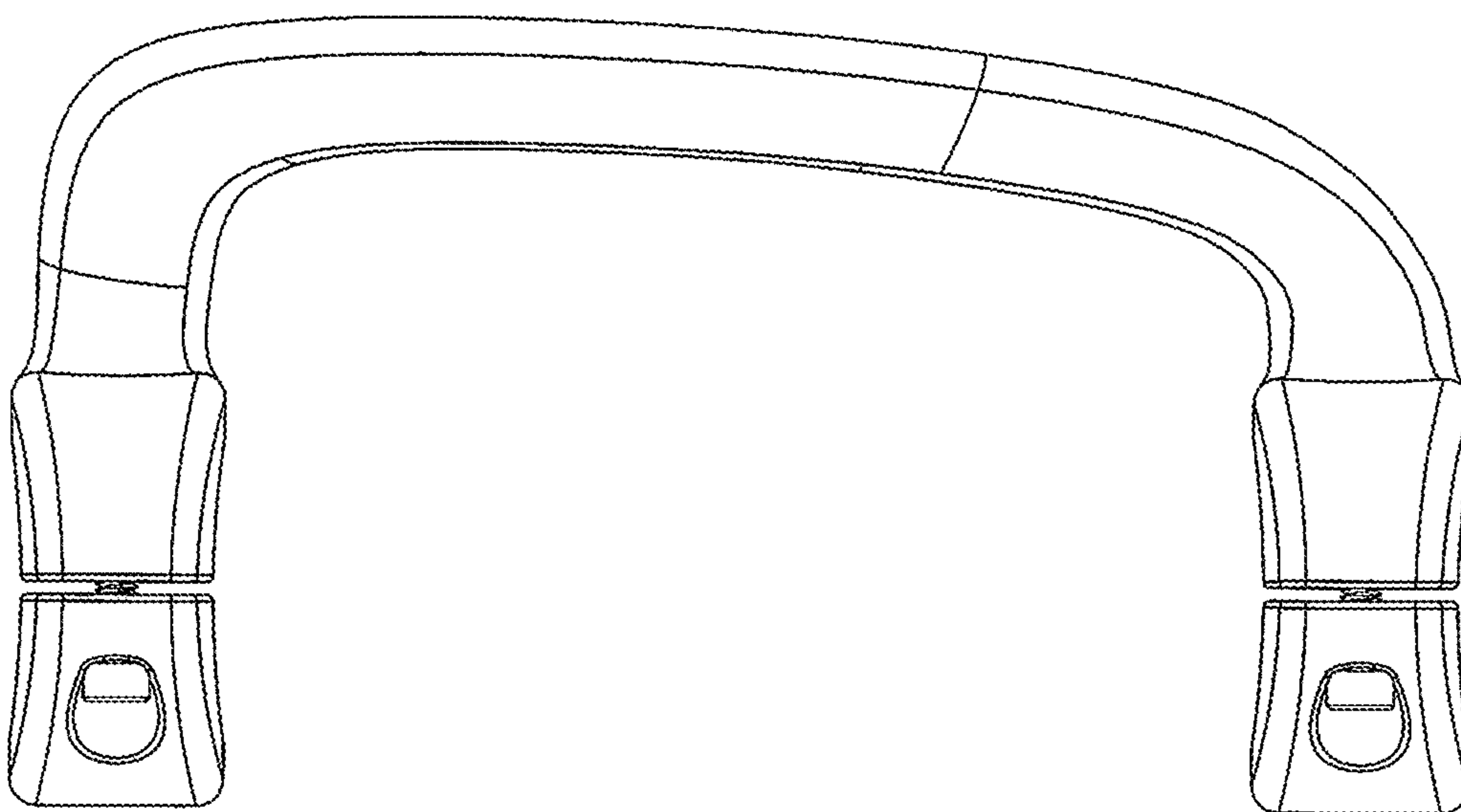


FIG. 15

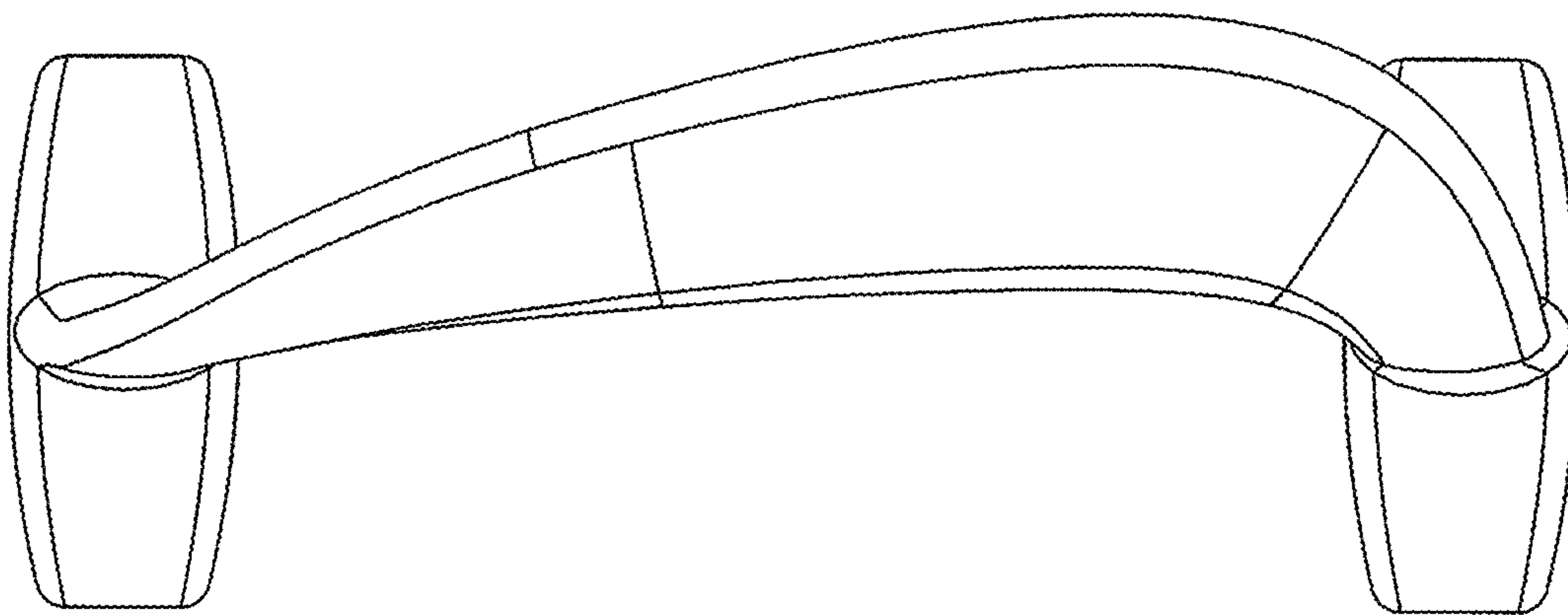


FIG. 16

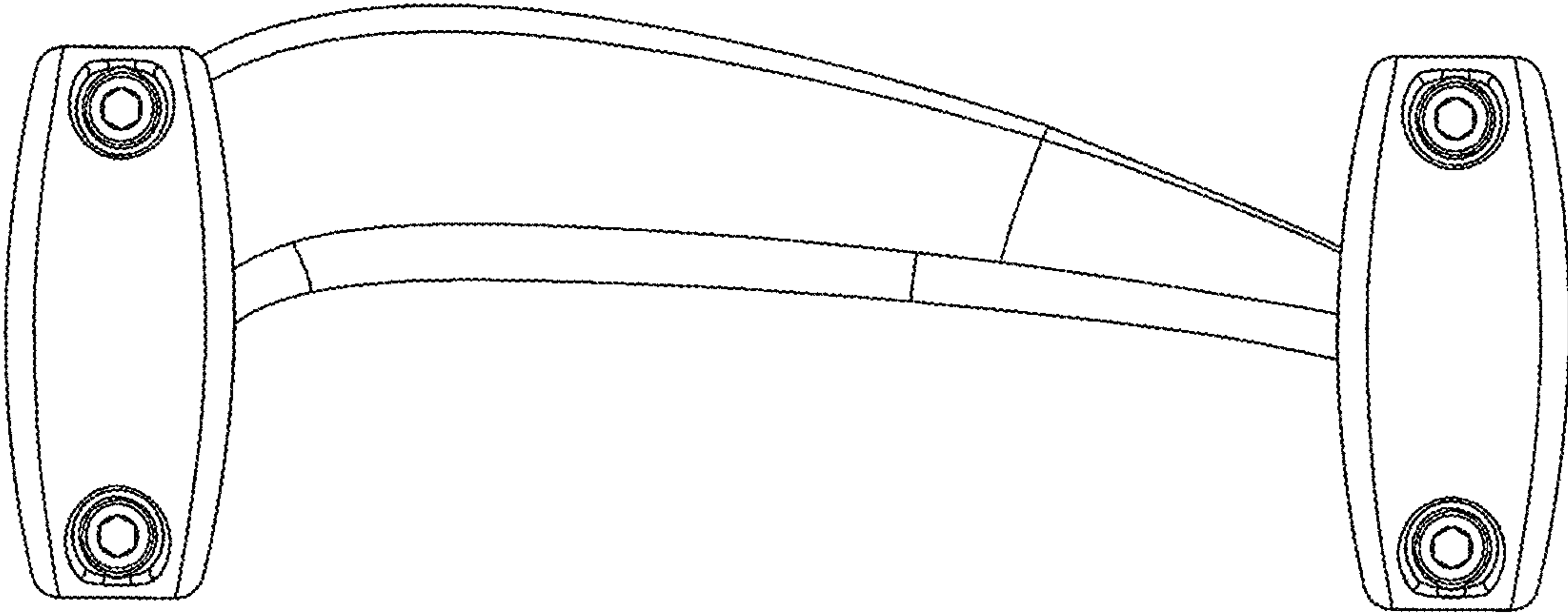


FIG. 17

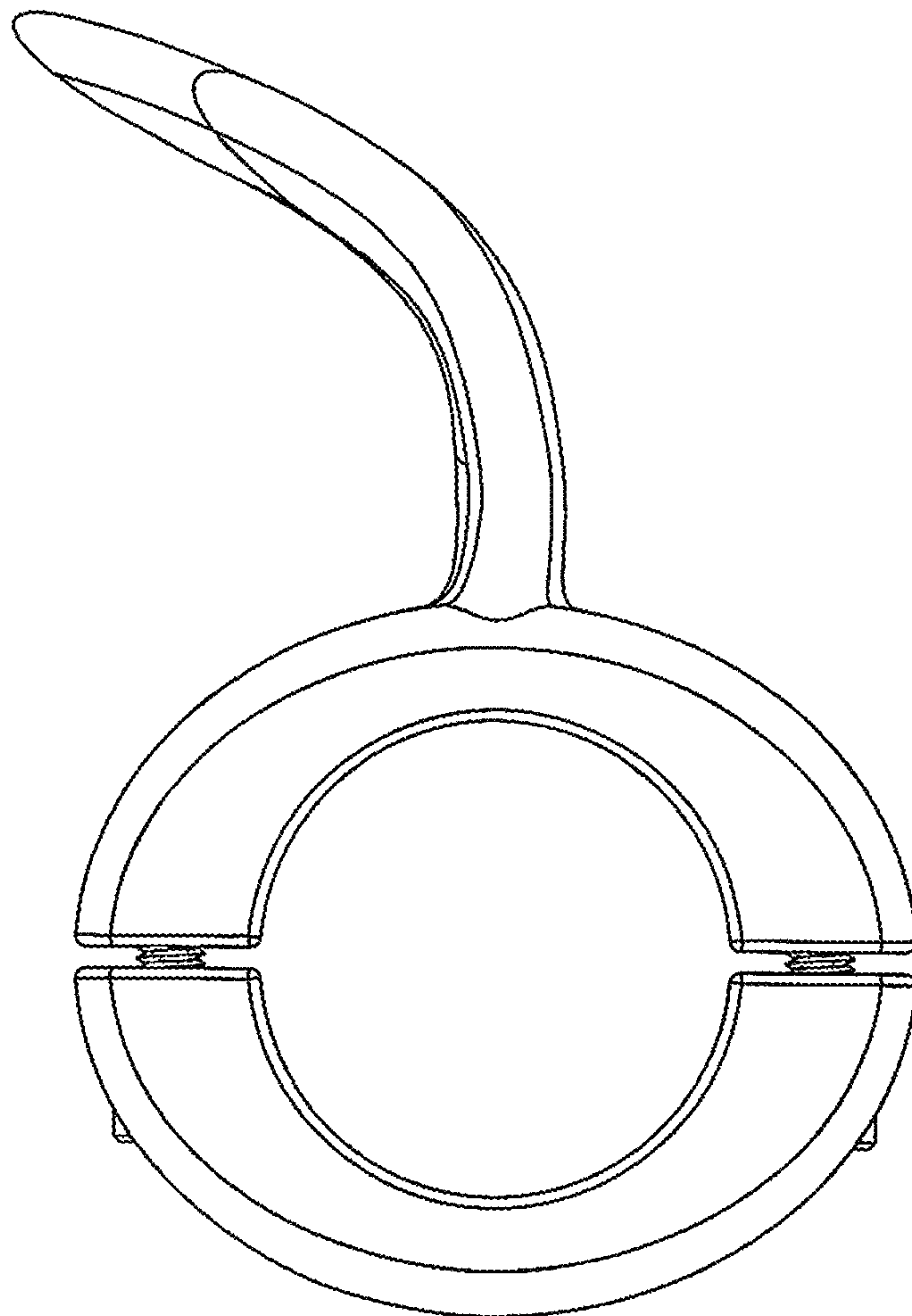


FIG. 18

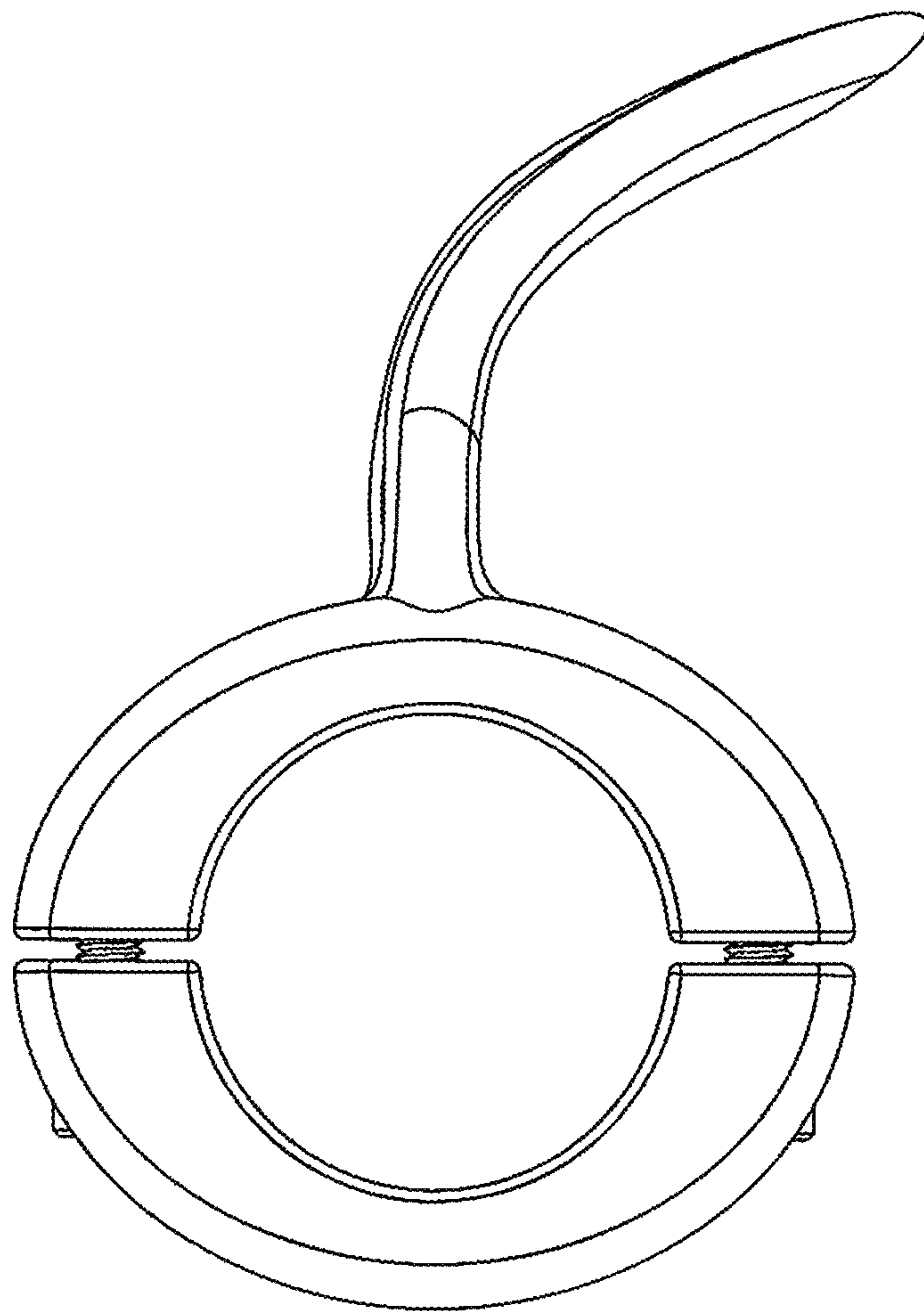


FIG. 19

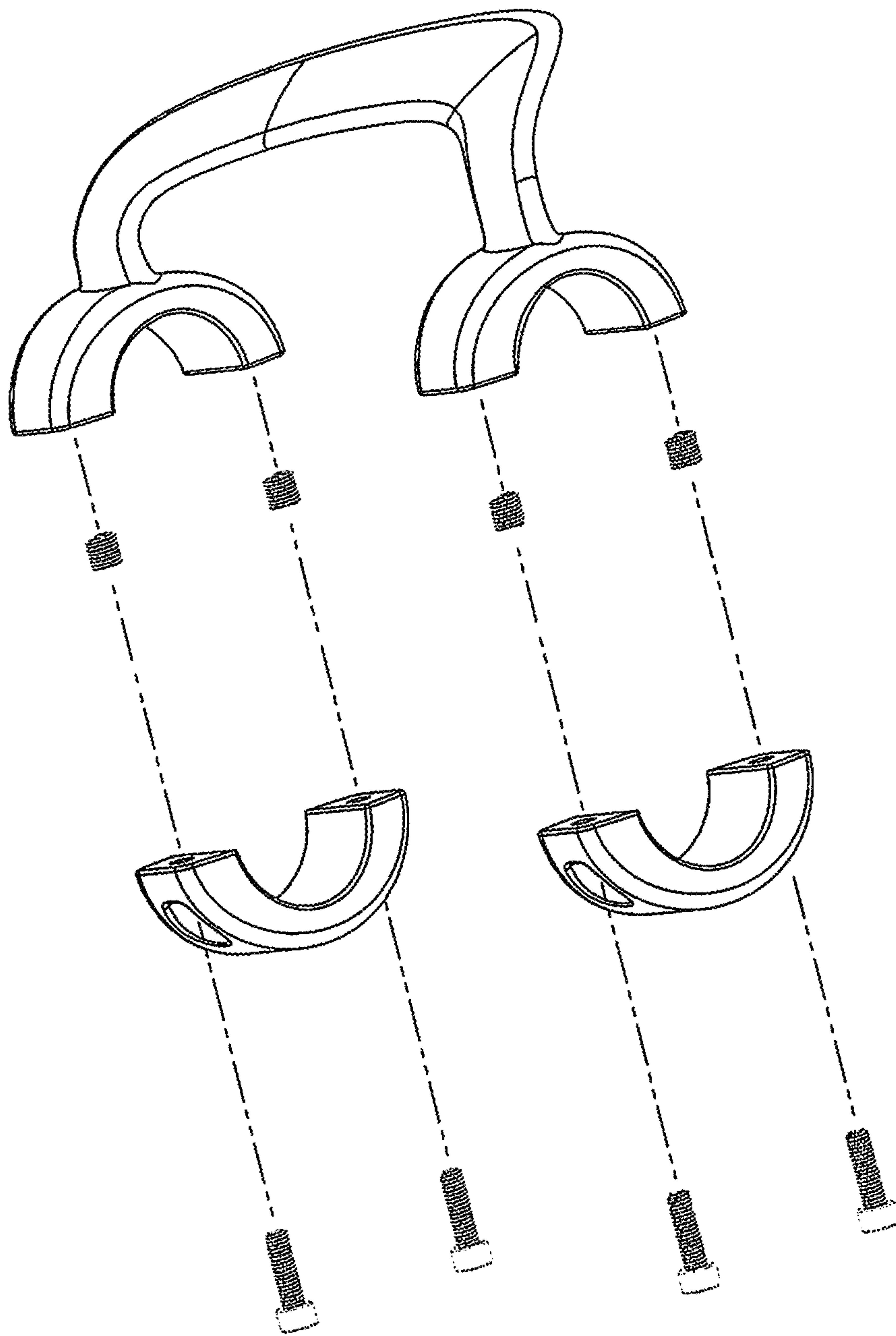


FIG. 20

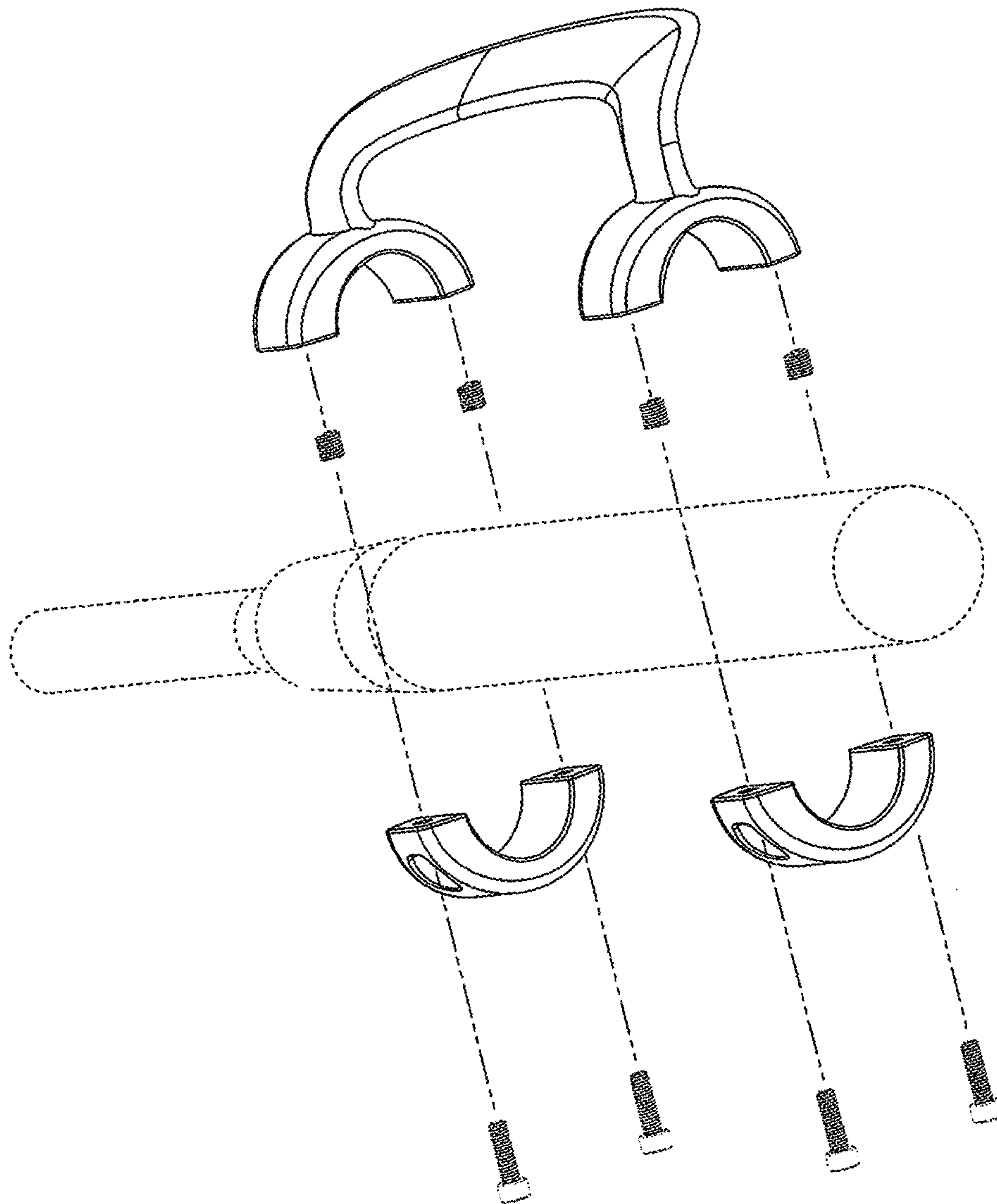


FIG. 21

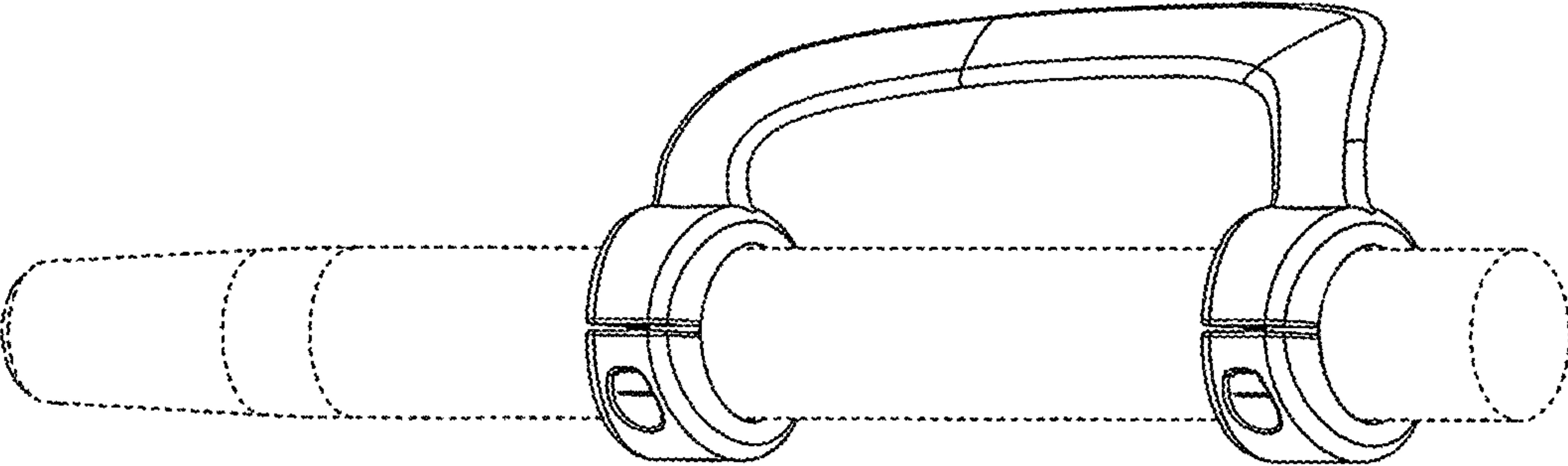


FIG. 22

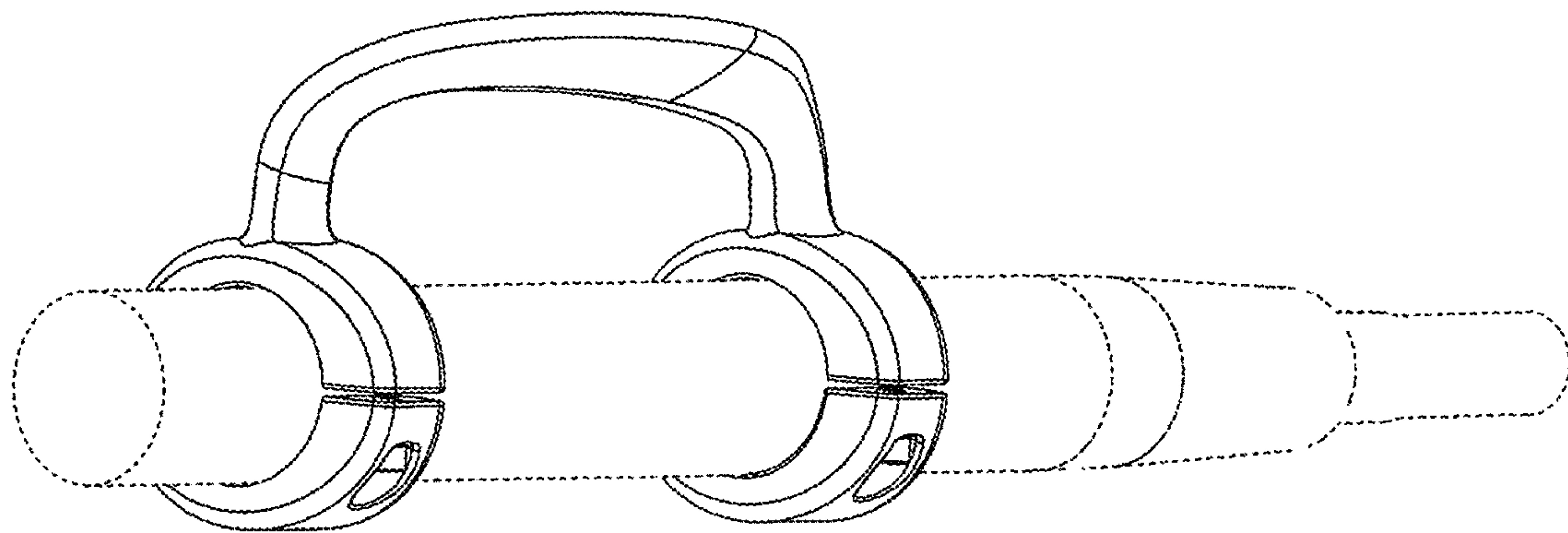


FIG. 23

