



US00D780875S

(12) **United States Design Patent** (10) **Patent No.:** **US D780,875 S**
Sylvester (45) **Date of Patent:** **** Mar. 7, 2017**

- (54) **BUFFER TUBE**
- (71) Applicant: **Primary Weapons**, Boise, ID (US)
- (72) Inventor: **Dean Sylvester**, Boise, ID (US)
- (73) Assignee: **Primary Weapons**, Boise, ID (US)
- (**) Term: **15 Years**
- (21) Appl. No.: **29/546,063**
- (22) Filed: **Nov. 18, 2015**
- (51) **LOC (10) Cl.** **22-01**
- (52) **U.S. Cl.**
USPC **D22/108**
- (58) **Field of Classification Search**
USPC D22/104, 108; D21/572-575; 42/51,
42/71.01, 75.01, 75.02, 90, 94, 134, 136,
42/139, 125, 72, 111; 89/40.06, 41.19,
89/37.04, 33.04, 191.01, 200-204;
124/67, 66, 72, 74
CPC F41C 7/00; F41C 7/11; F41C 7/12
See application file for complete search history.

8,468,729 B1 6/2013 Sylvester
 D717,906 S * 11/2014 Montes D22/108
 D738,985 S * 9/2015 Montes D22/108
 2004/0031182 A1 2/2004 Bentley
 2005/0115134 A1 6/2005 Bond et al.
 2008/0110074 A1 5/2008 Bucholtz et al.
 2010/0050492 A1 3/2010 Faifer
 (Continued)

OTHER PUBLICATIONS

Primary Weapons System, PWS EBT MOD 2, publication date unknown, [site visited Jul. 18, 2016], Available on the Internet URL:<<https://primaryweapons.com/store/product/pws-ebt-mod-2/>>.*

(Continued)

Primary Examiner — Susan Bennett Hattan
Assistant Examiner — S. Bryan Reinholdt, Jr.
 (74) *Attorney, Agent, or Firm* — Schacht Law Office, Inc.; Dwayne Rogge

(57) **CLAIM**

The ornamental design for a buffer tube, as shown and described.

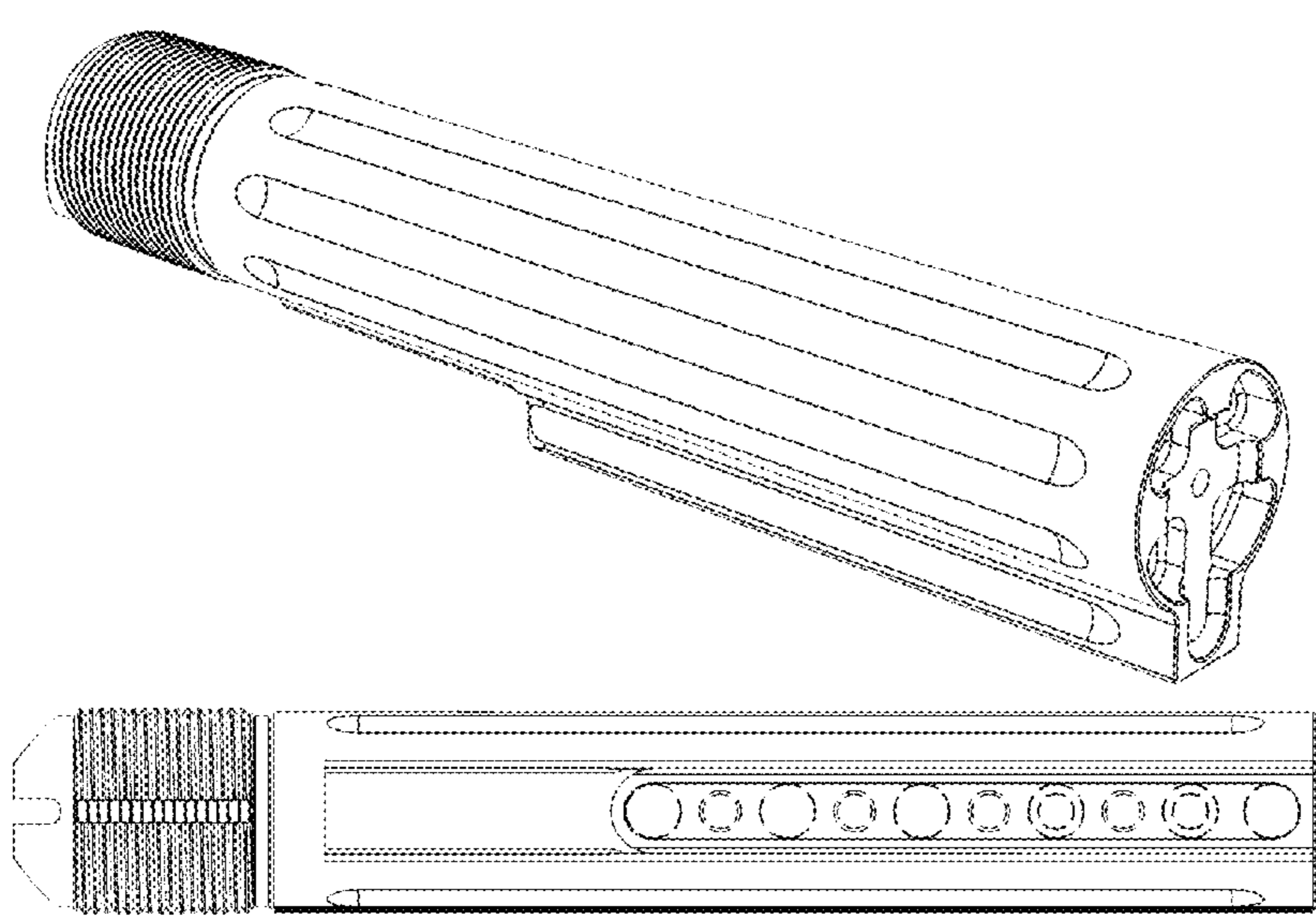
DESCRIPTION

FIG. 1 is a front isometric view of the buffer tube embodying the new design.
 FIG. 2 is a rear isometric view thereof.
 FIG. 3 is a bottom view thereof.
 FIG. 4 is a top view thereof with the opposite side view being a mirror image thereof.
 FIG. 5 is a front view thereof.
 FIG. 6 is a rear view thereof; and,
 FIG. 7 is a side view thereof with the opposing side view being a mirror image thereof.
 The broken lines represent portions of the buffer tube that form no part of the claimed design.

1 Claim, 2 Drawing Sheets

(56) **References Cited**
U.S. PATENT DOCUMENTS

3,405,470	A	10/1968	Wesemann	
3,417,660	A	12/1968	Harbrecht	
3,461,589	A	8/1969	Vironda	
4,644,987	A	2/1987	Kiang	
5,909,002	A	6/1999	Atchisson	
6,758,126	B1	7/2004	Houtsma	
7,131,367	B1	11/2006	Boerschig et al.	
7,213,498	B1	5/2007	Davies	
7,398,616	B1	7/2008	Weir	
7,681,351	B2	3/2010	Bucholtz et al.	
7,793,453	B1	9/2010	Sewell et al.	
7,823,313	B2	11/2010	Faifer	
8,037,806	B2	10/2011	Davies	
8,459,406	B1 *	6/2013	Dueck F41A 21/30
				181/223



(56)

References Cited

U.S. PATENT DOCUMENTS

2010/0251587 A1 10/2010 Kincel
2010/0251588 A1 10/2010 Kincel
2013/0180150 A1* 7/2013 Dueck F41A 21/325
42/90

OTHER PUBLICATIONS

NoKick.com—YouTube, PWS EBT—Enhanced Buffer Tube, Feb. 12, 2015, [site visited Jul. 18, 2016], Available on the Internet URL:<<https://www.youtube.com/watch?v=of062guwt7o>>.*

Primary Arms, PWS Enhanced buffer tube-Mod 2-Mil-Spec, publication date unknown, [site visited Jul. 18, 2016], Available on the Internet URL:<<http://www.primaryarms.com/4g2btmb1/p/4g2btmb1/>>.*

* cited by examiner

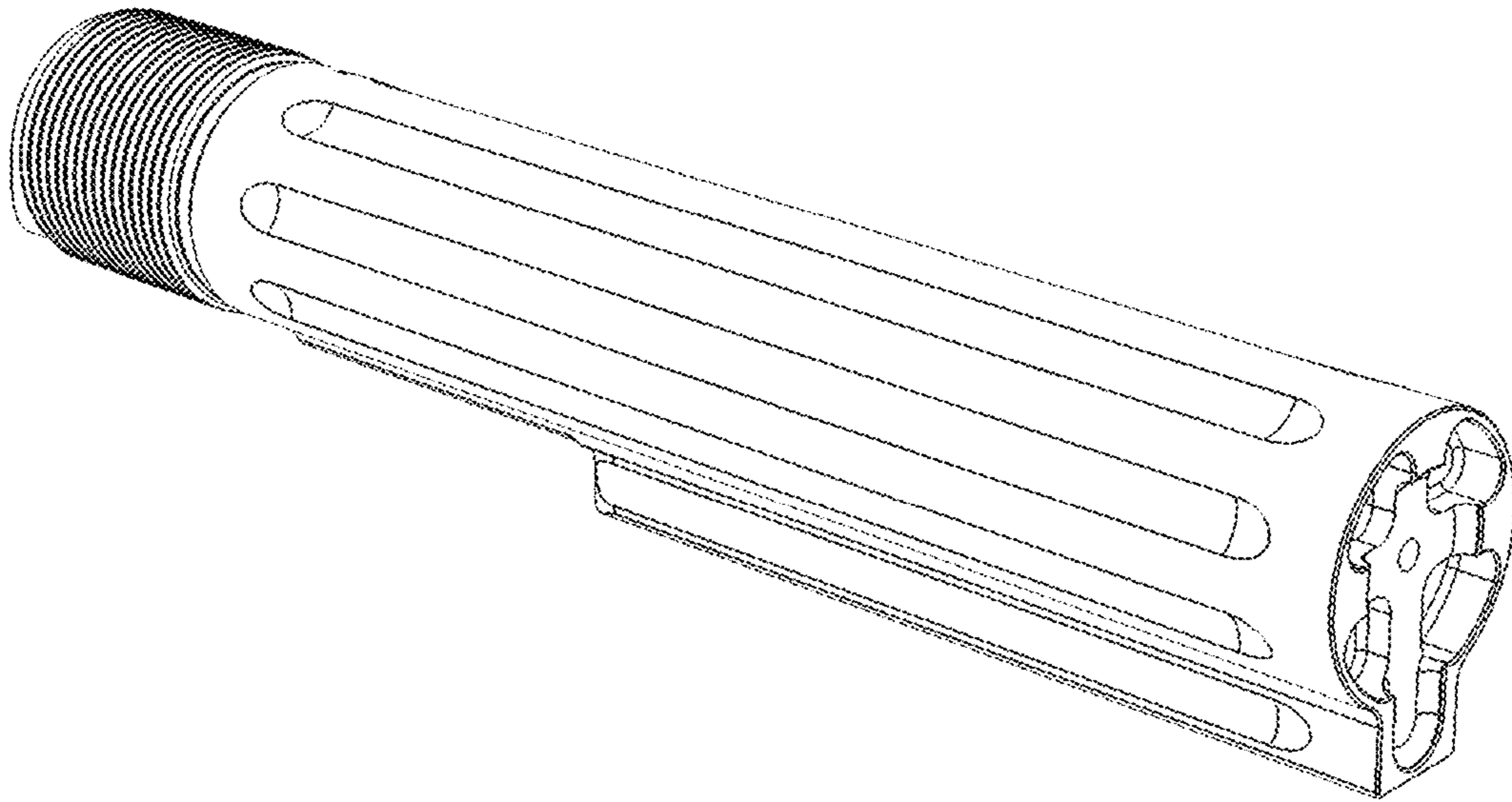


Fig. 1

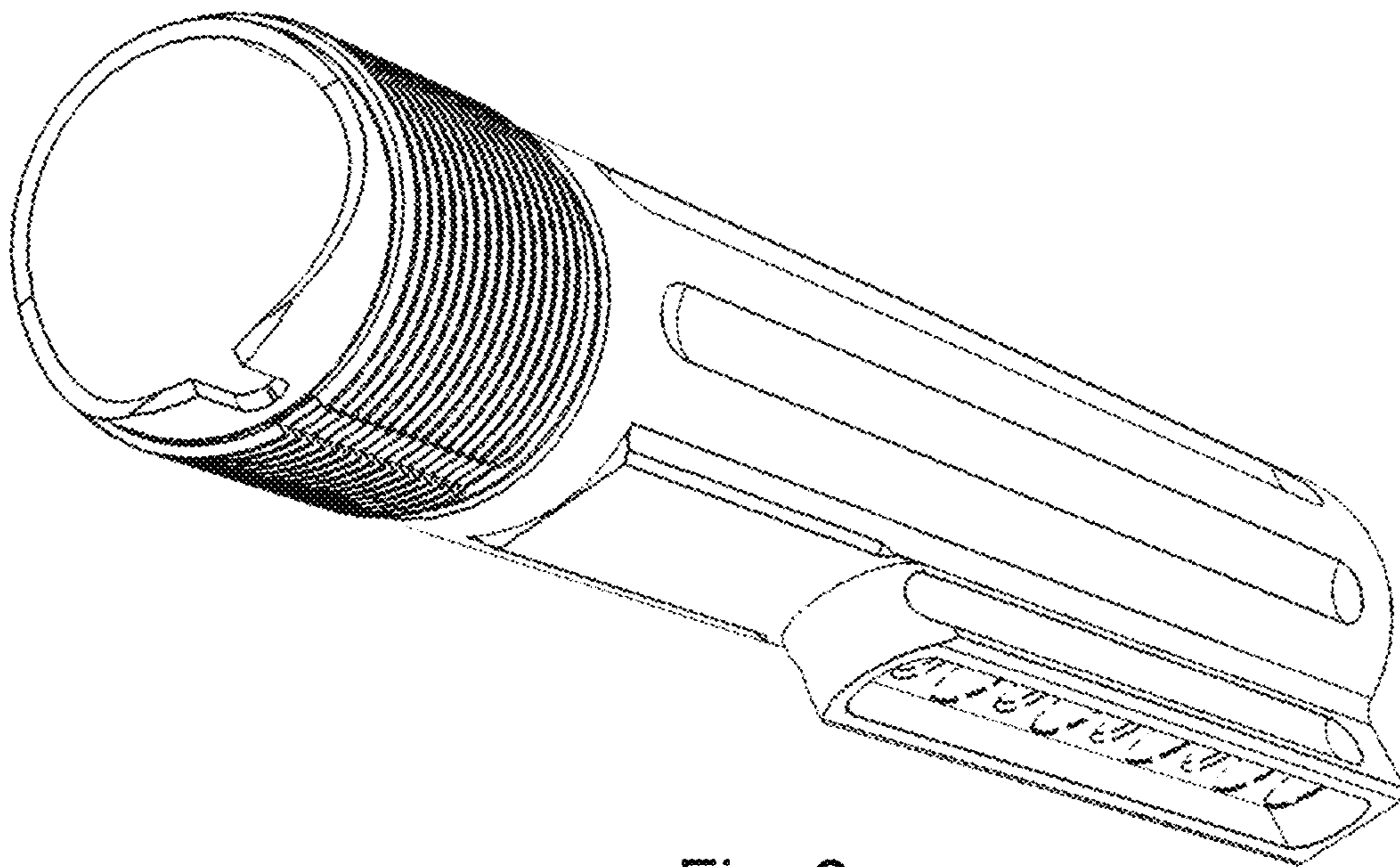


Fig. 2

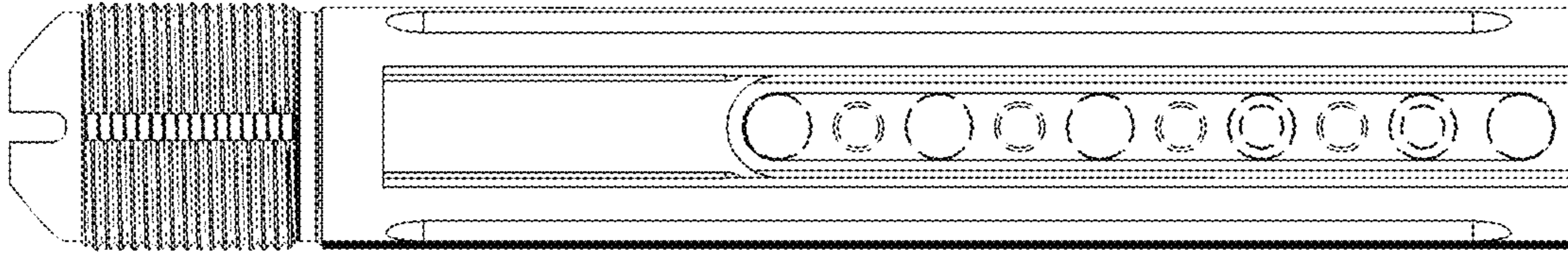


Fig. 3

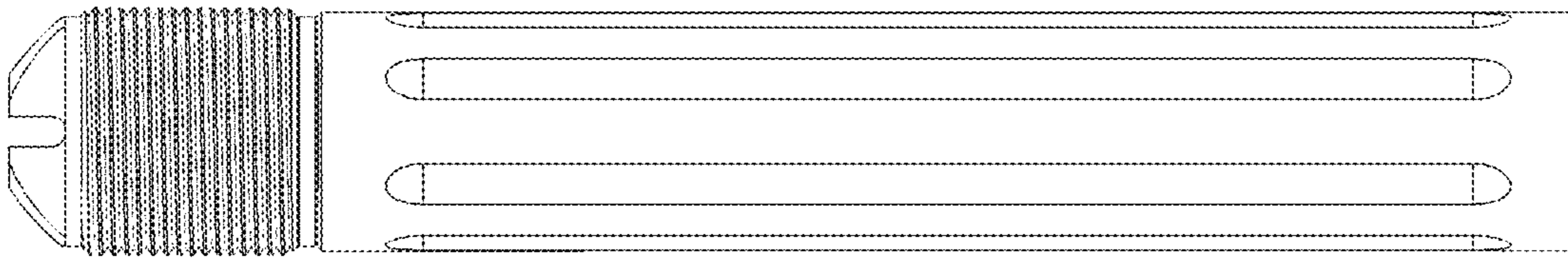


Fig. 4

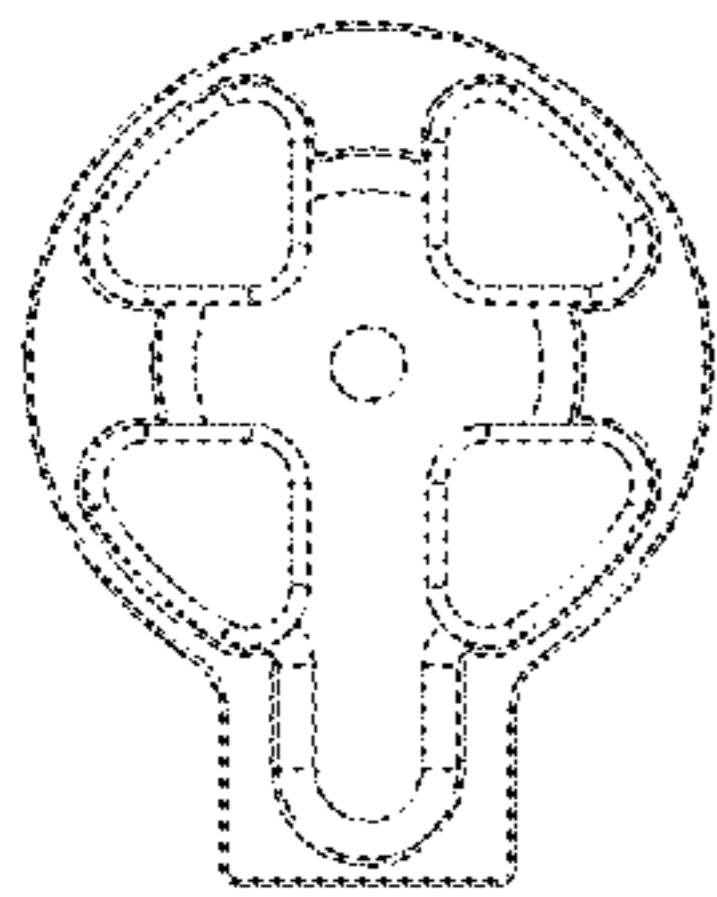


Fig. 5

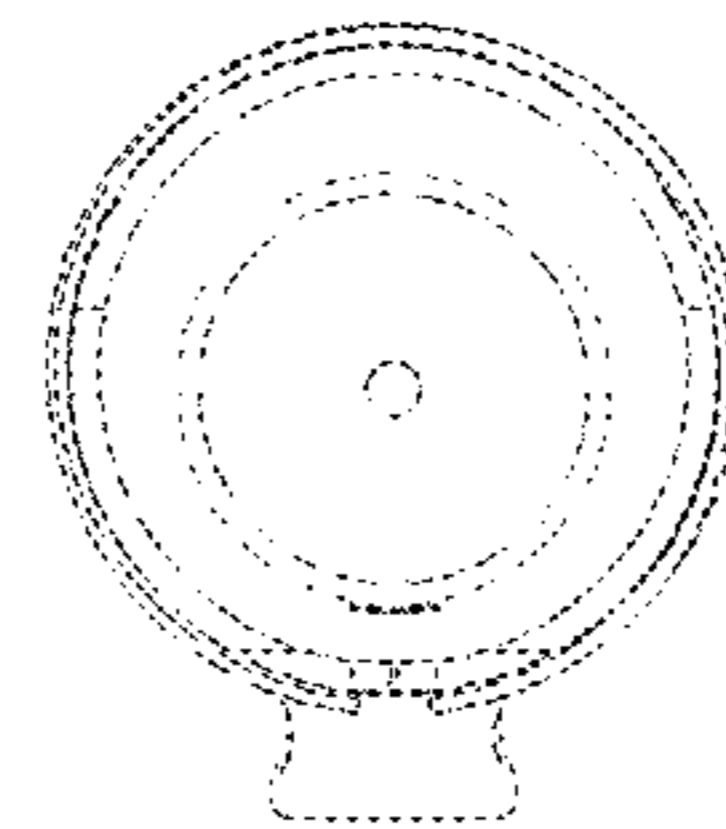


Fig. 6

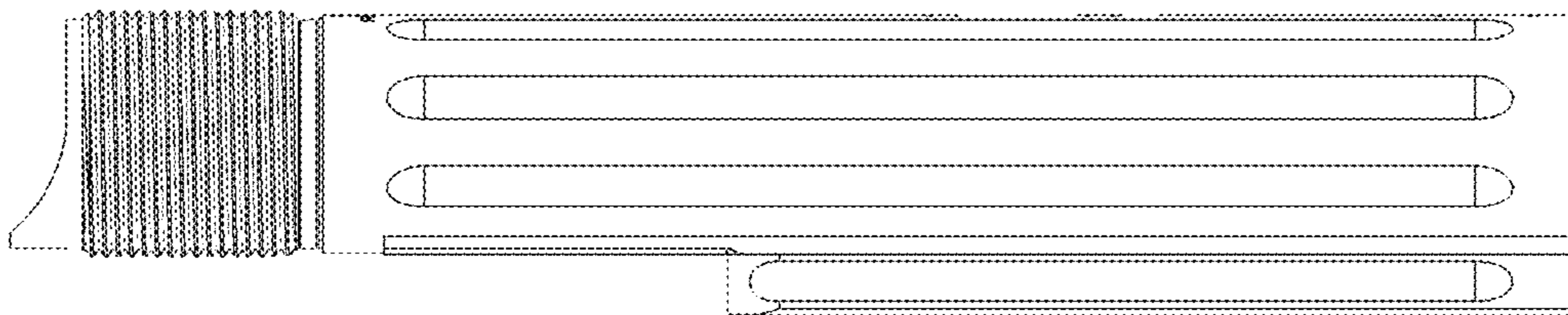


Fig. 7