



US00D780874S

(12) **United States Design Patent**  
**Pasfield**

(10) **Patent No.:** **US D780,874 S**  
(45) **Date of Patent:** **\*\* Mar. 7, 2017**

(54) **FIREARM SCOPE HEIGHT TOOL**

(71) Applicant: **Steven Pasfield**, Holden Hill (AU)

(72) Inventor: **Steven Pasfield**, Holden Hill (AU)

(\*\*) Term: **15 Years**

(21) Appl. No.: **29/538,876**

(22) Filed: **Sep. 9, 2015**

(30) **Foreign Application Priority Data**

Mar. 10, 2015 (AU) ..... 201511329

(51) **LOC (10) Cl.** ..... **22-01**

(52) **U.S. Cl.**  
USPC ..... **D22/108**

(58) **Field of Classification Search**  
USPC ..... D22/108-111; 42/111, 115, 124, 125,  
42/126, 127, 128, 136  
CPC ..... F41G 1/545; F41G 11/00; F41G 11/003;  
F41G 11/004; F41G 11/007  
See application file for complete search history.

(56) **References Cited**

**U.S. PATENT DOCUMENTS**

- 677,288 A \* 6/1901 Swasey ..... F41G 1/26  
42/126
- 706,390 A \* 8/1902 Collins ..... F41G 1/28  
42/136
- 806,142 A \* 12/1905 Herrick ..... F41G 1/28  
42/136
- 870,337 A \* 11/1907 Bassell et al. .... F41G 1/28  
42/136
- 4,017,995 A \* 4/1977 Hughes, Jr. .... F41G 1/473  
42/136
- 5,625,954 A \* 5/1997 DePaoli ..... F41G 1/345  
42/113
- D454,479 S \* 3/2002 Kolpin ..... D8/349
- D628,260 S \* 11/2010 Poling ..... D22/108

- 8,499,485 B2 \* 8/2013 Deros ..... F41G 11/003  
42/124
- D757,200 S \* 5/2016 Schefter ..... D22/108
- 9,448,038 B2 \* 9/2016 Palmer ..... F41G 1/38
- 2001/0027620 A1 \* 10/2001 Wooten ..... F41G 1/35  
42/124
- 2004/0139644 A1 \* 7/2004 Murello ..... F41G 11/005  
42/85
- 2007/0033852 A1 \* 2/2007 Adams ..... F41G 11/001  
42/124
- 2011/0308133 A1 \* 12/2011 Nemec ..... F41G 1/26  
42/137

(Continued)

**OTHER PUBLICATIONS**

Reticle Leveling System, posted at Amazon, comment posting date Dec. 8, 2011. [online], [site visited Sep. 27, 2016]. Available from Internet, <URL: <https://www.amazon.com/Wheeler-119050-Professional-Reticle-Leveling/dp/B004TAB7ZO/>>.\*

*Primary Examiner* — Kevin Rudzinski  
*Assistant Examiner* — Kathleen Jones  
(74) *Attorney, Agent, or Firm* — Sand & Sebolt

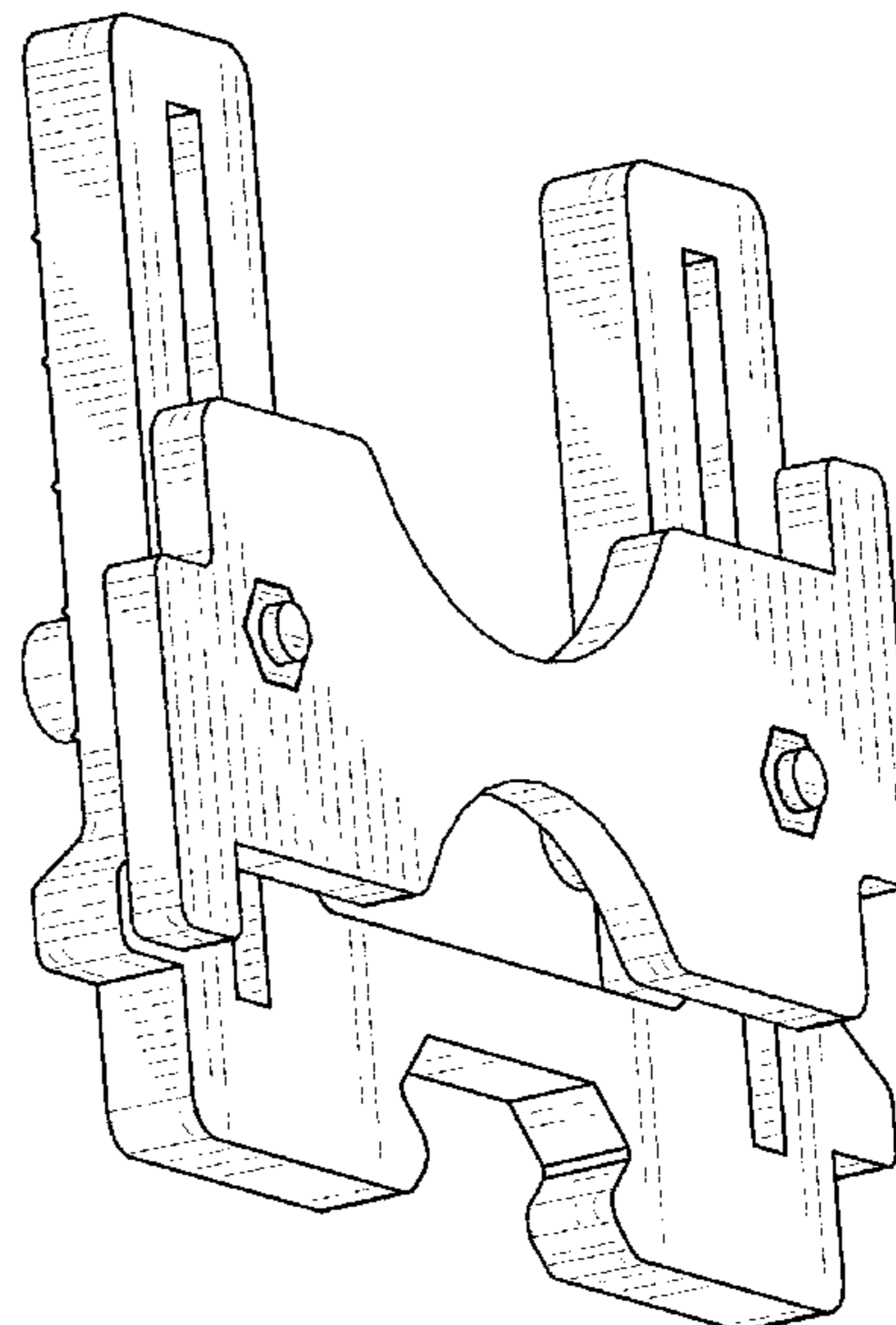
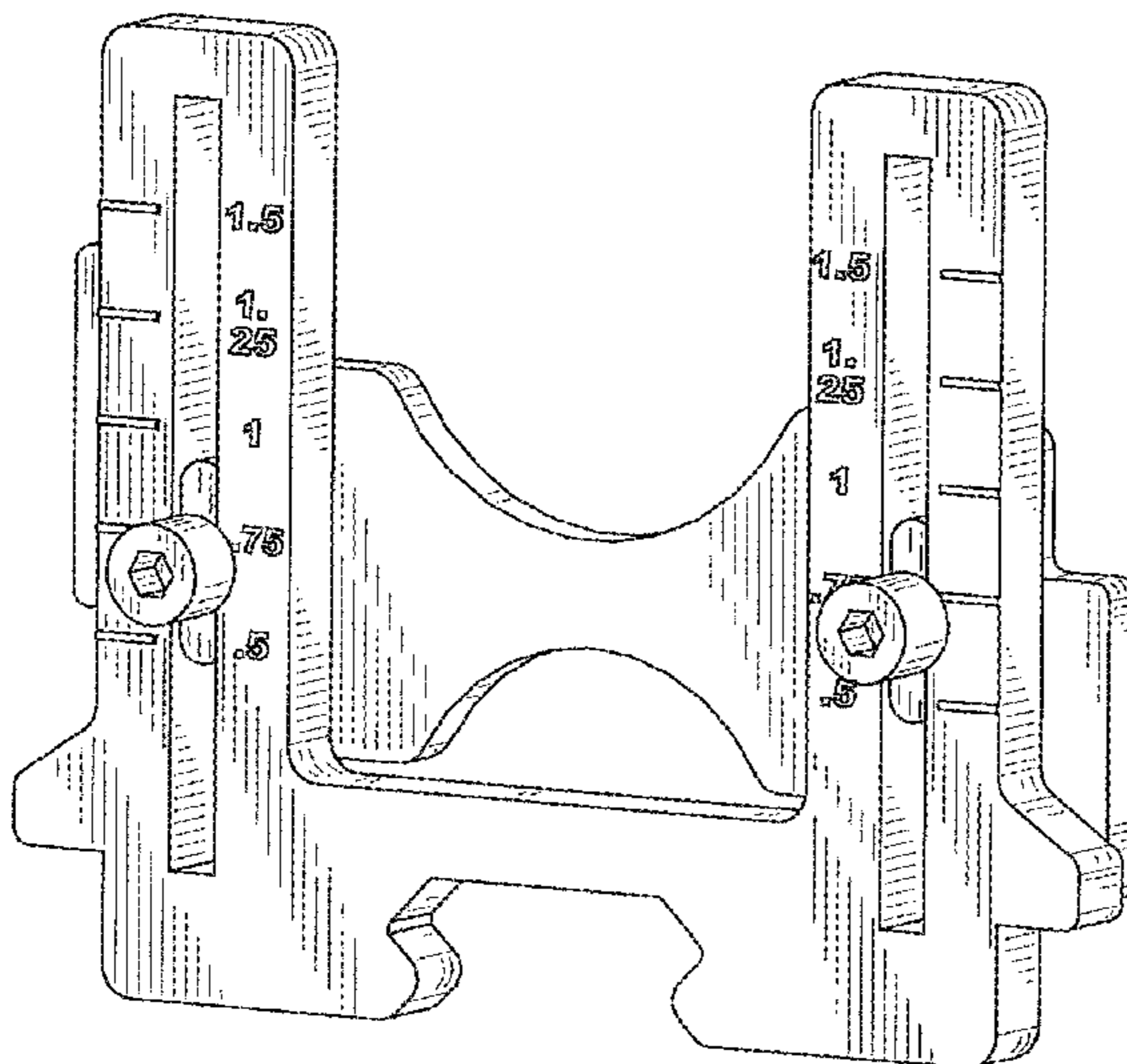
(57) **CLAIM**

The ornamental design for a firearm scope height tool, as shown.

**DESCRIPTION**

FIG. 1 is a front perspective view of a firearm scope height tool in accordance with my design;  
FIG. 2 is a rear perspective view thereof;  
FIG. 3 is a front view thereof;  
FIG. 4 is a rear view thereof;  
FIG. 5 is a top view thereof;  
FIG. 6 is a bottom view thereof;  
FIG. 7 is a left side view thereof; and,  
FIG. 8 is a right side view thereof.

**1 Claim, 6 Drawing Sheets**



(56)

**References Cited**

U.S. PATENT DOCUMENTS

2016/0040960 A1\* 2/2016 Palmer ..... F41G 1/38  
42/120  
2016/0138891 A1\* 5/2016 Hancosky ..... F41G 1/35  
42/114  
2016/0223294 A1\* 8/2016 Bouquet ..... F41G 11/003  
2016/0252323 A1\* 9/2016 Gomez ..... F41G 1/545

\* cited by examiner

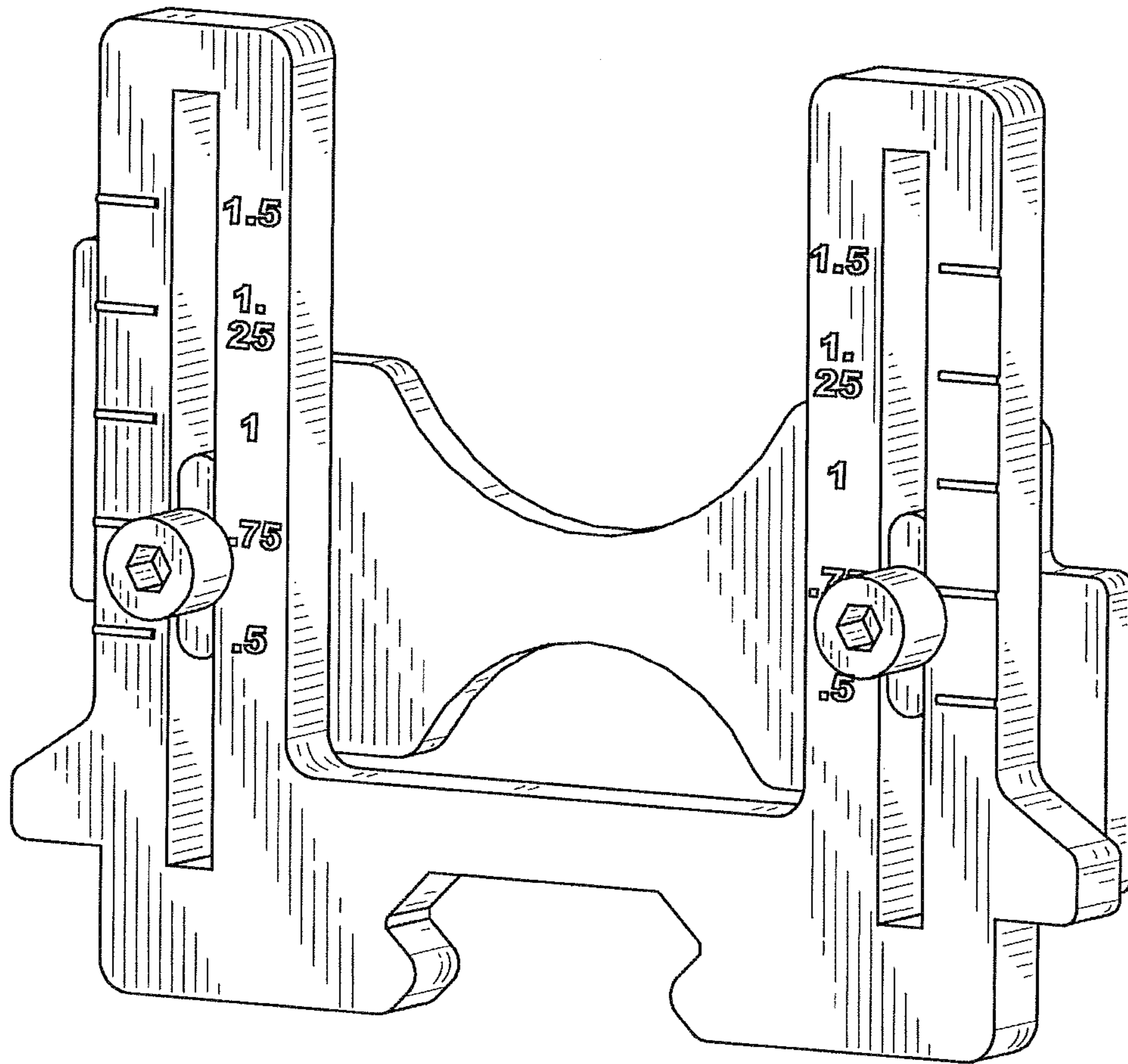
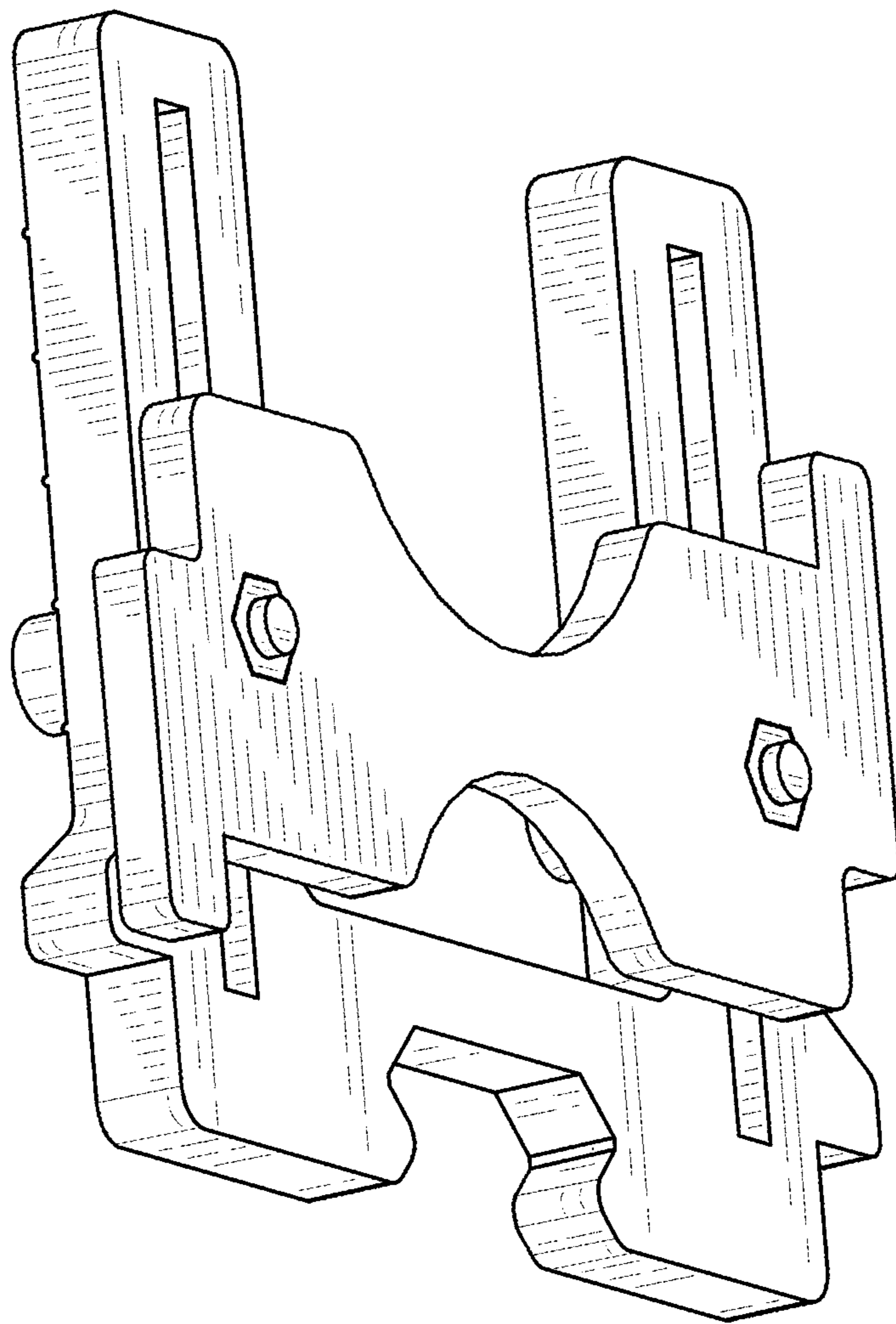
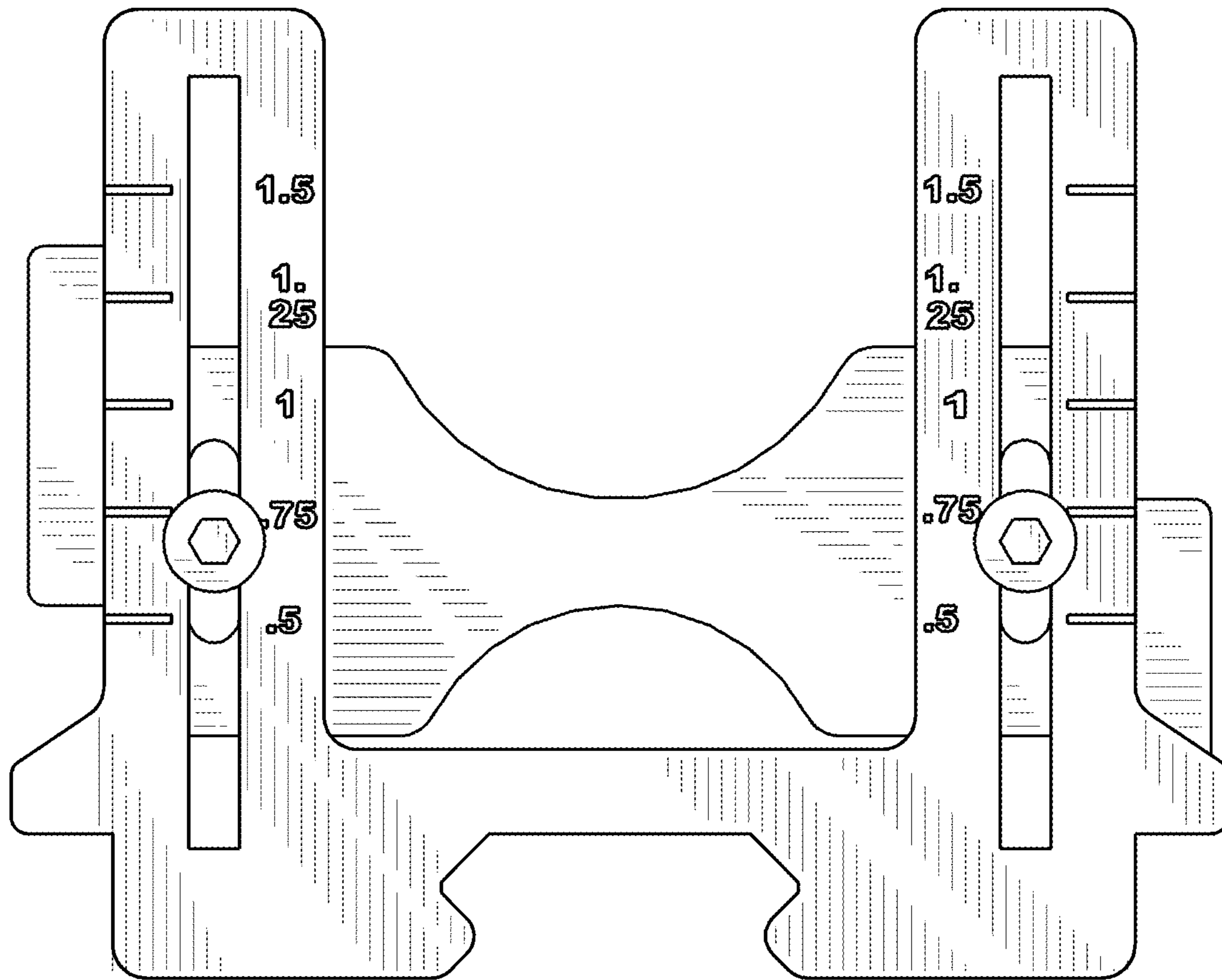


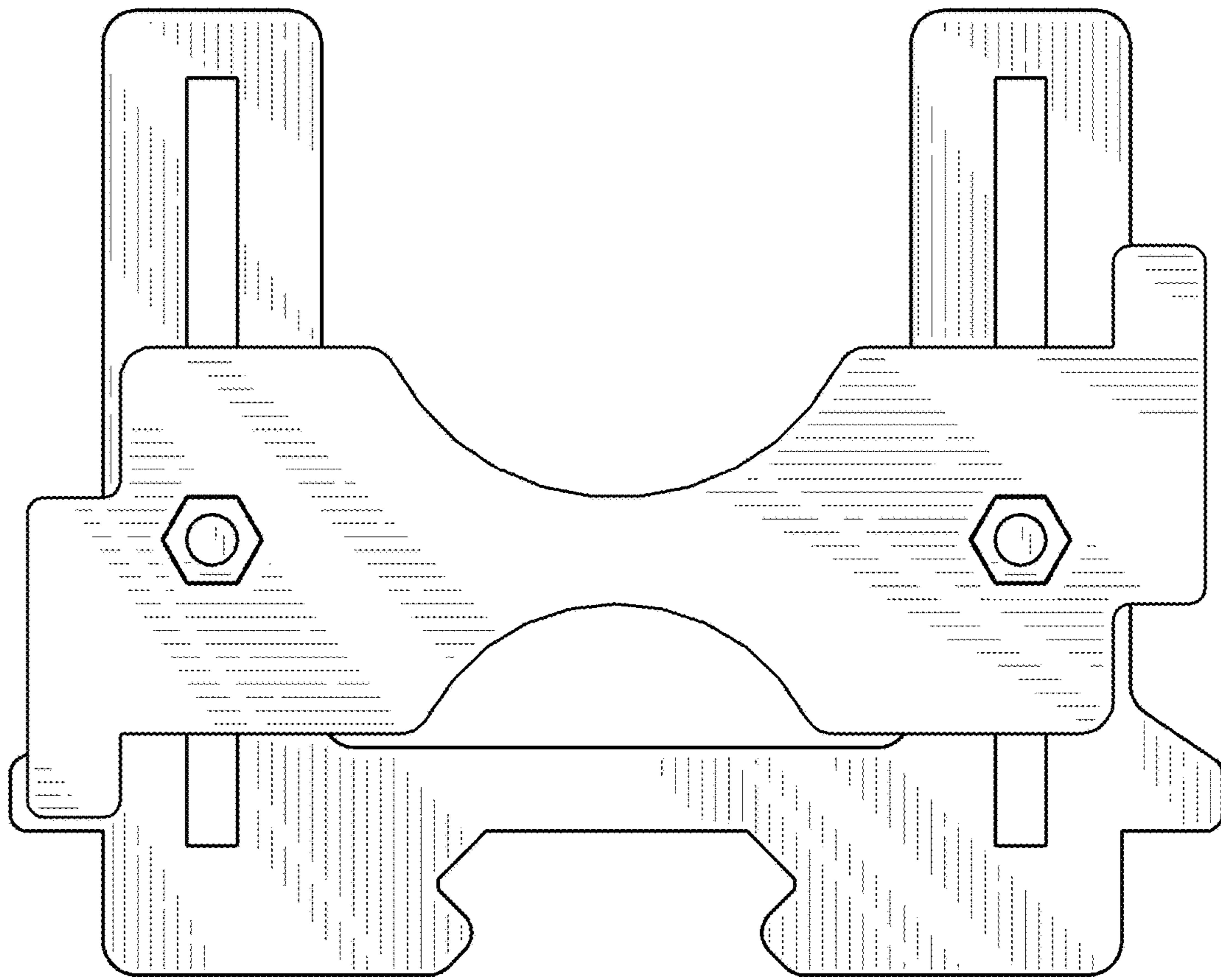
FIG-1



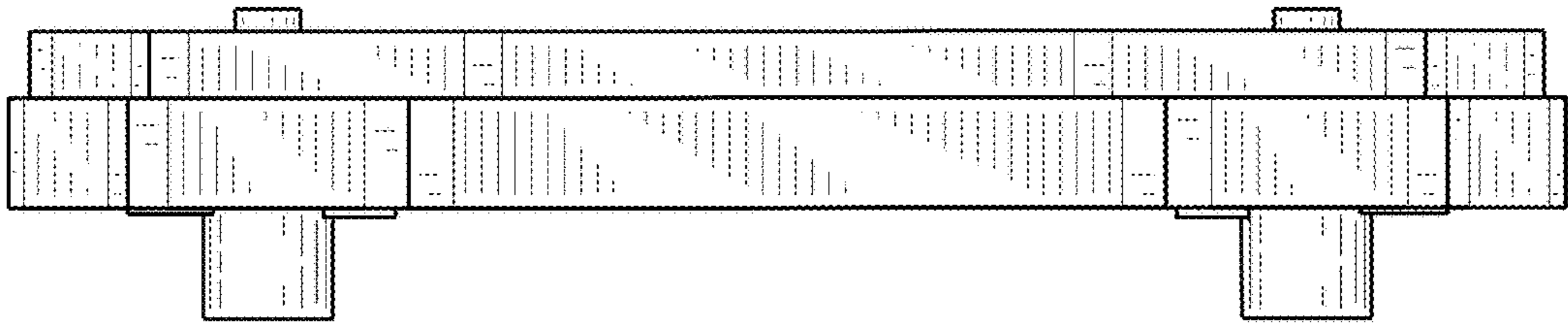
**FIG-2**



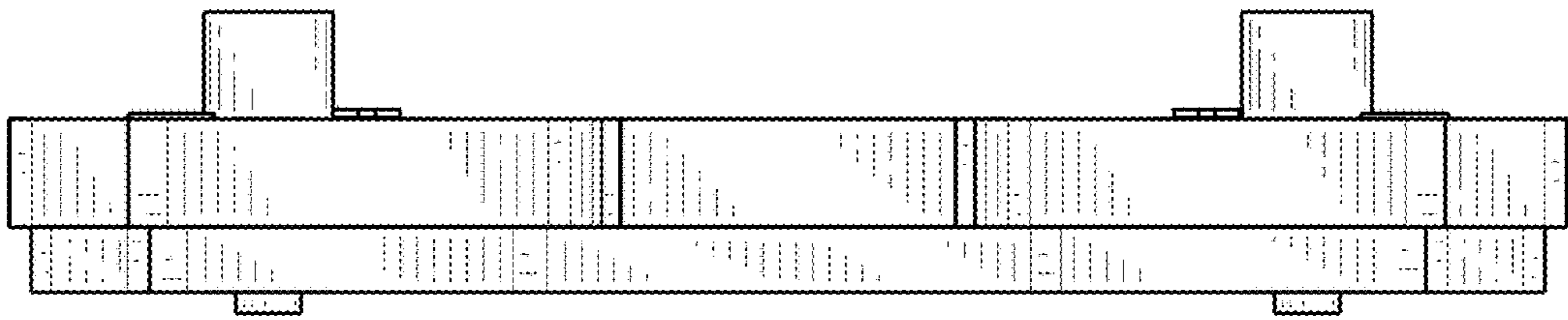
**FIG-3**



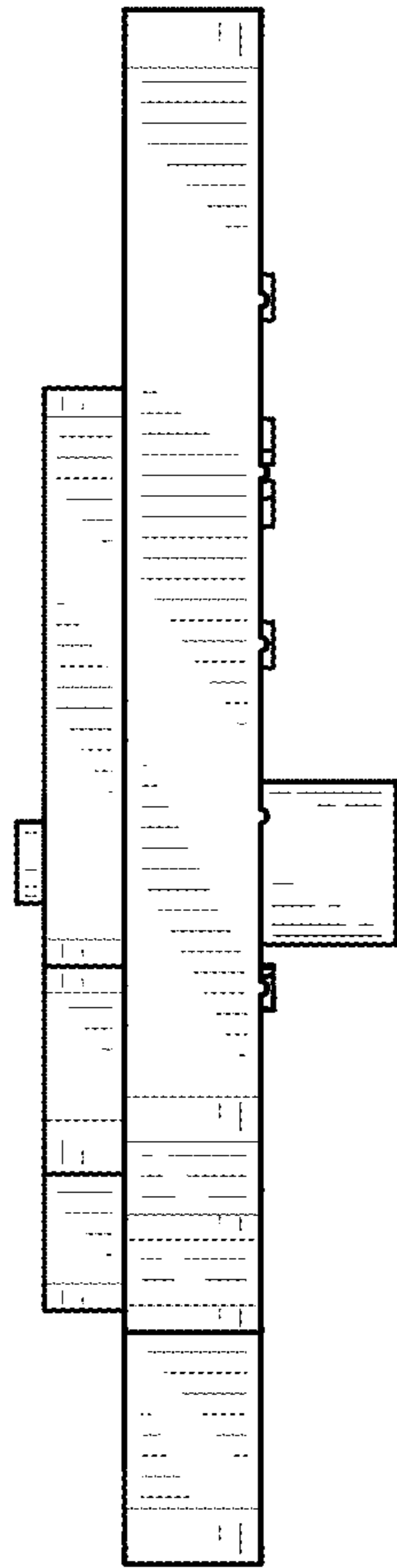
**FIG-4**



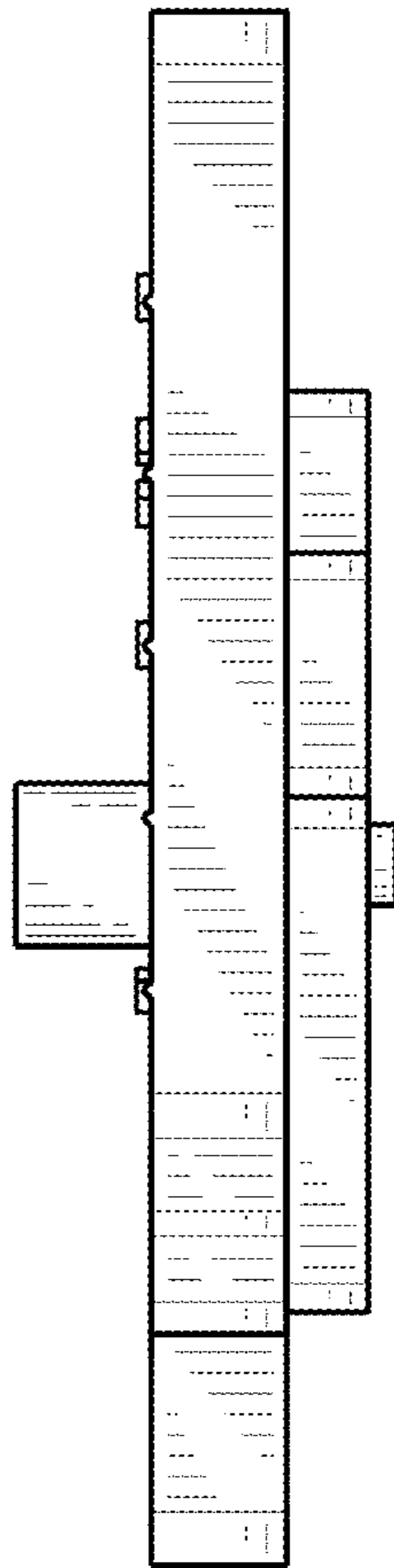
**FIG-5**



**FIG-6**



**FIG-7**



**FIG-8**