



US00D780872S

(12) **United States Design Patent**
Delgado Acarreta et al.

(10) **Patent No.: US D780,872 S**
(45) **Date of Patent: ** Mar. 7, 2017**

(54) **INERTIAL SHOOTING COUNTER**

FOREIGN PATENT DOCUMENTS

(71) Applicant: **Rade Tecnologias, S.L.**, Zaragoza (ES)

IL WO 2008059506 A1 * 5/2008 F41A 19/01

(72) Inventors: **Raul Delgado Acarreta**, Zaragoza (ES); **Diego Ibanez Martinez**, Zaragoza (ES)

OTHER PUBLICATIONS

“Laser Pointing”, CAT Laser Aiming Devices, from <http://www.cat-laser.com/esp/>, accessed May 8, 2015.

(73) Assignee: **Rade Technologies, S.L.**, Zaragoza (ES)

* cited by examiner

(**) Term: **15 Years**

Primary Examiner — Michael A Pratt

(21) Appl. No.: **29/531,519**

(74) *Attorney, Agent, or Firm* — Hayes Soloway PC

(22) Filed: **Jun. 26, 2015**

(57) **CLAIM**

We claim the ornamental design for an inertial shooting counter, as shown and described.

(30) **Foreign Application Priority Data**

DESCRIPTION

Jan. 16, 2015 (EM) 2615179

(51) **LOC (10) Cl.** **22-01**

(52) **U.S. Cl.**
USPC **D22/106**

(58) **Field of Classification Search**
USPC D22/104, 108
CPC F41C 3/14; F41C 3/16; F41C 3/04
See application file for complete search history.

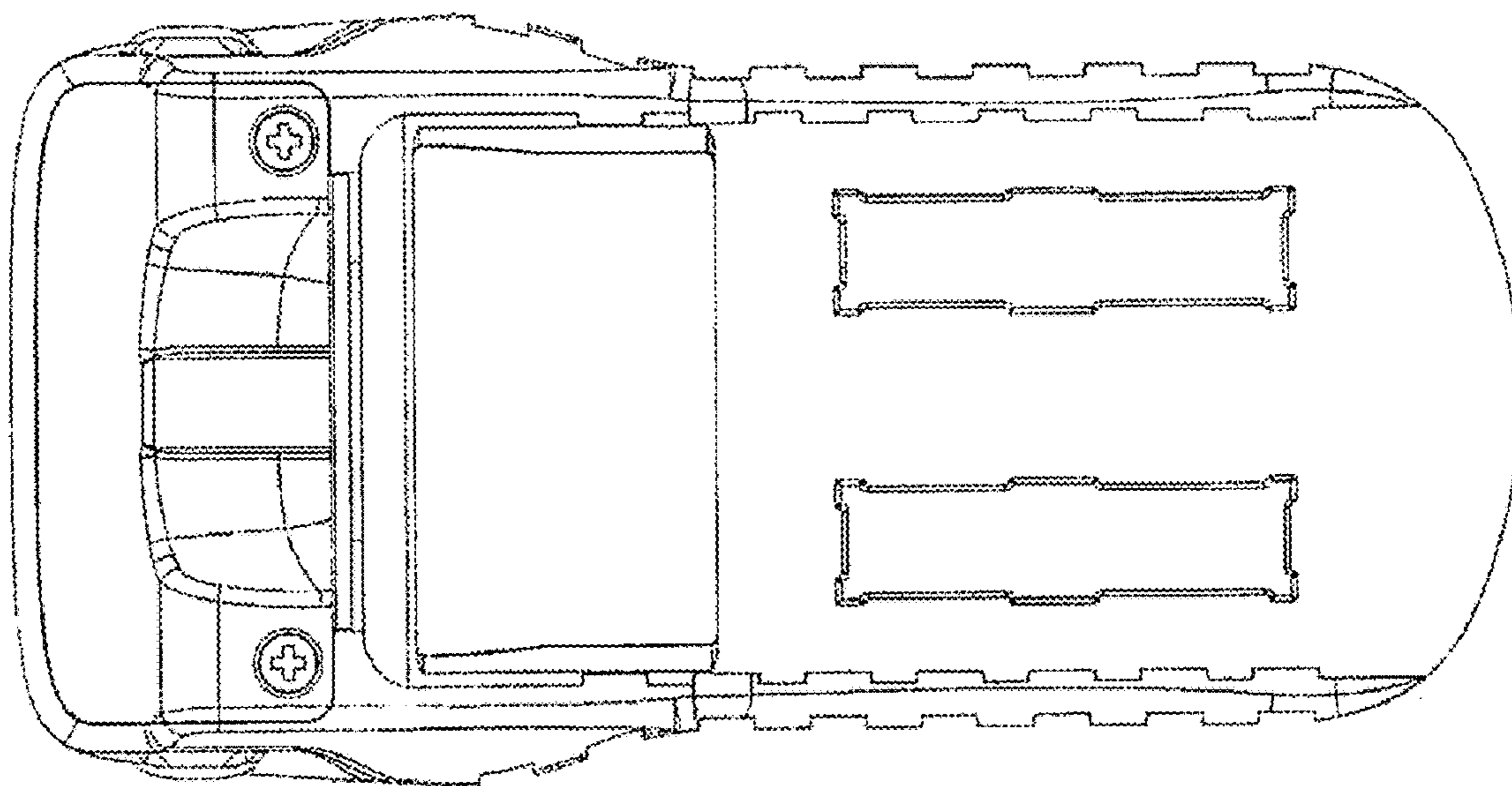
FIG. 1 is a bottom view of the inertial shooting counter in an assembly in accordance with our invention; FIG. 2 is a front view of the inertial shooting counter; FIG. 3 is a right side view of the inertial shooting counter; FIG. 4 is a rear view of the inertial shooting counter; FIG. 5 is a left side view of the inertial shooting counter; FIG. 6 is a top view of the inertial shooting counter; and, FIG. 7 is a perspective view of the inertial shooting counter. The broken line showing of the inertial shooting counter in FIG. 7 is for the purpose of illustrating the environmental structure and forms no part of the claimed design.

(56) **References Cited**

U.S. PATENT DOCUMENTS

8,826,575 B2 * 9/2014 Ufer F41A 19/01
42/1.01

1 Claim, 7 Drawing Sheets



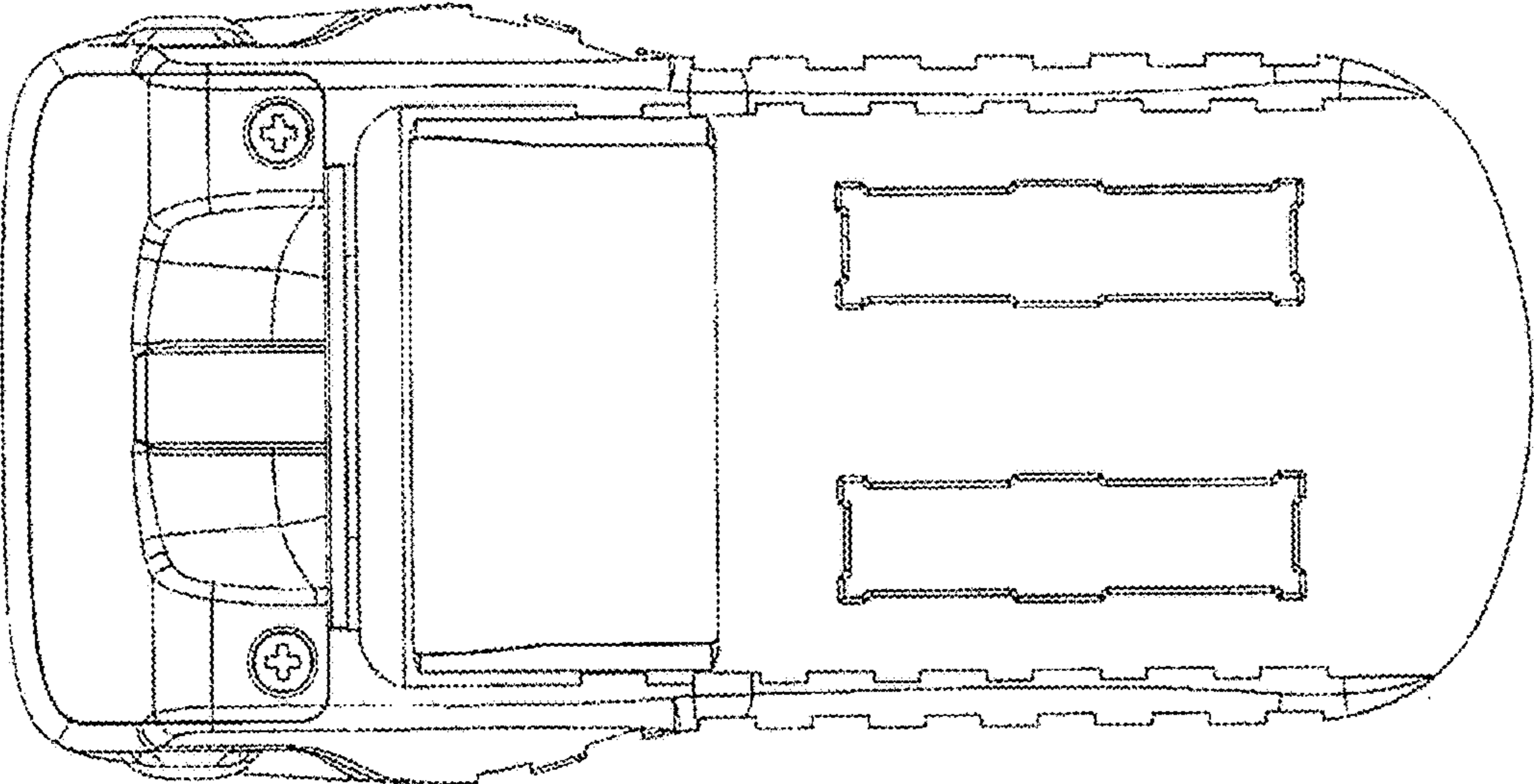


FIG 1

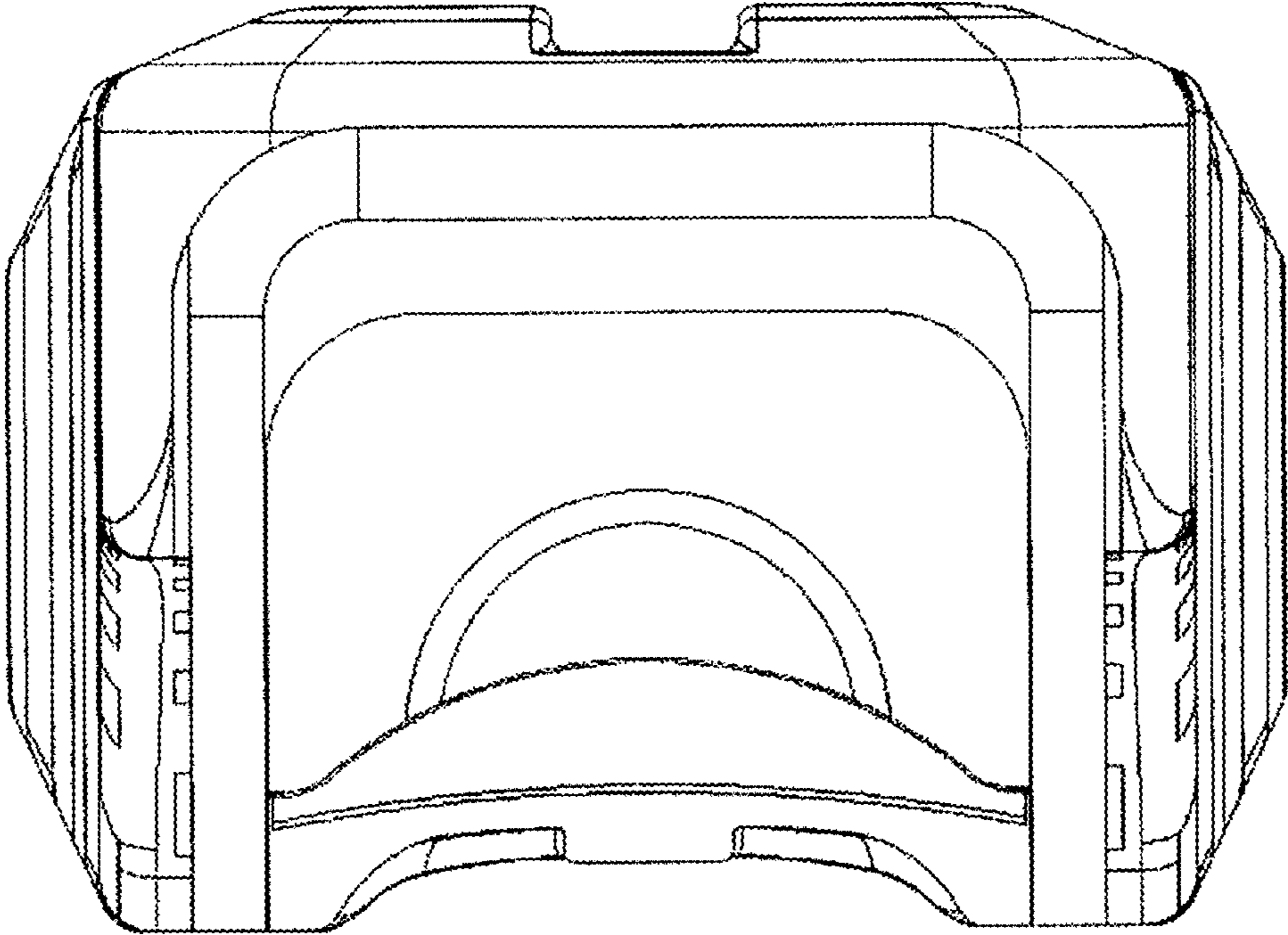


FIG 2

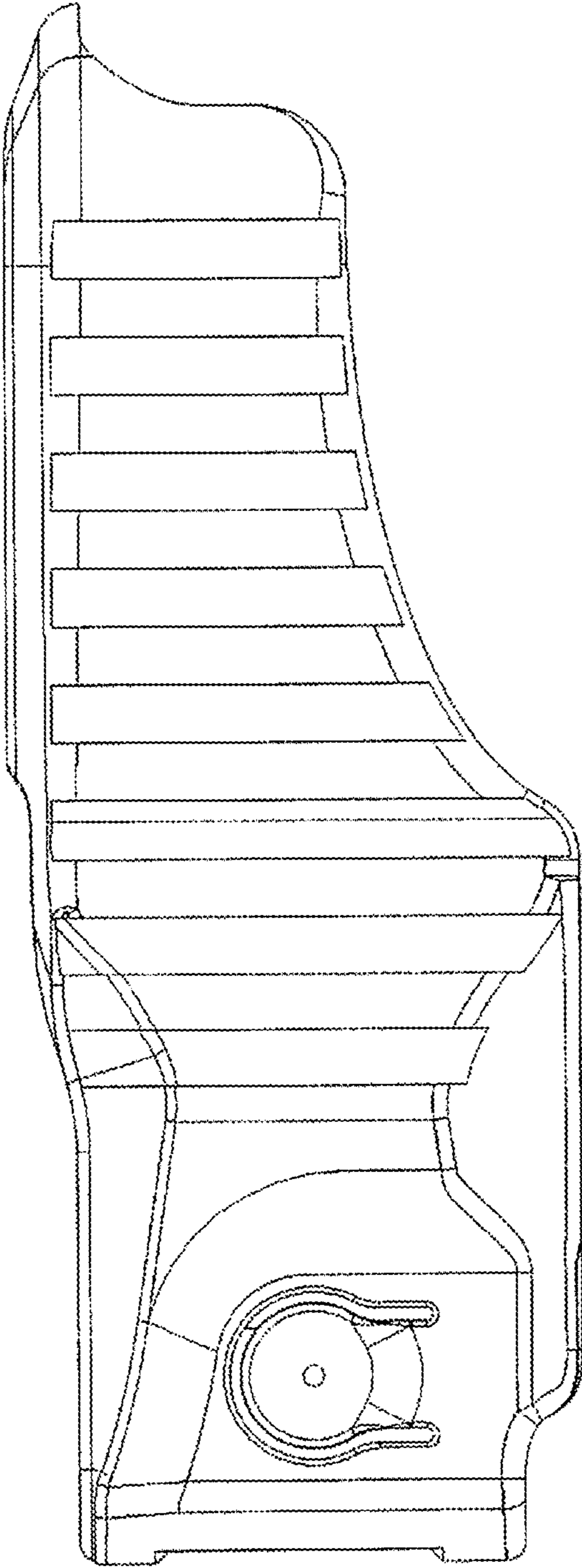


FIG 3

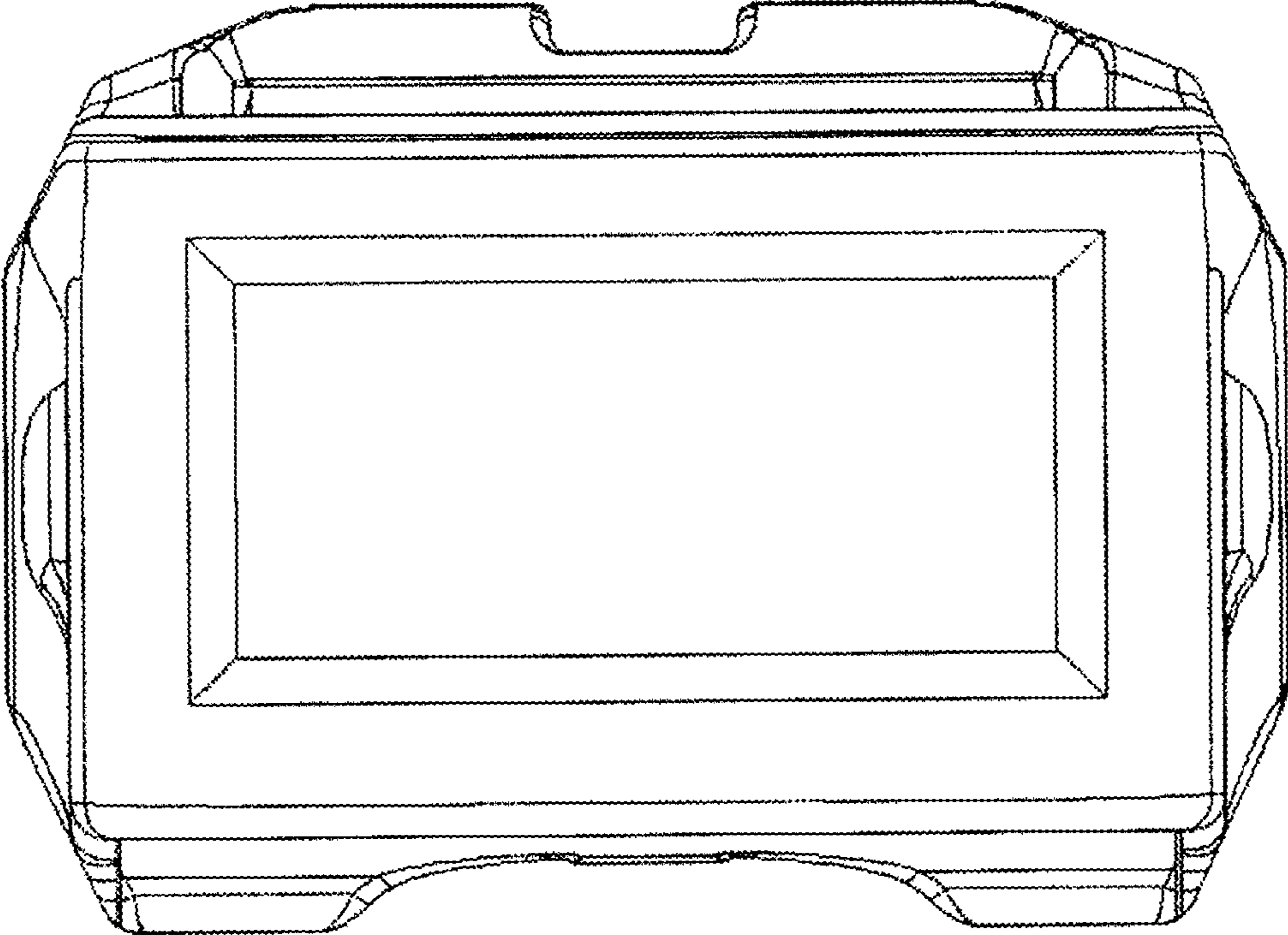


FIG 4

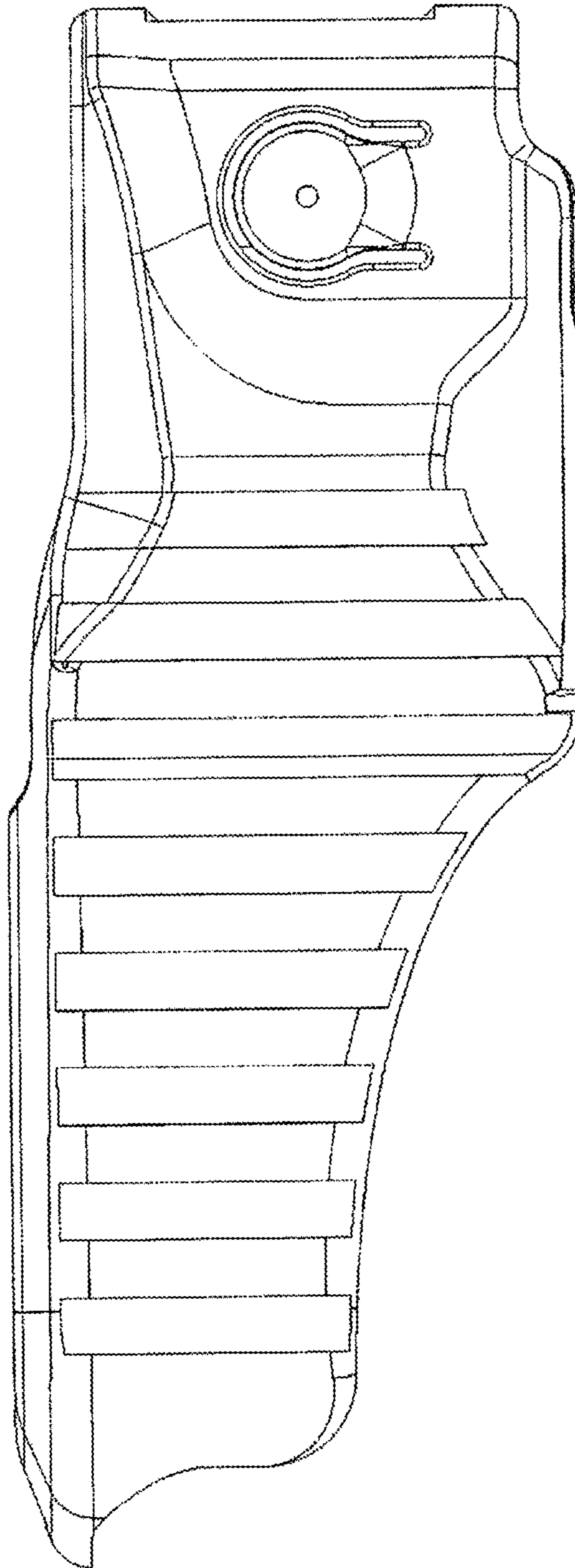


FIG 5

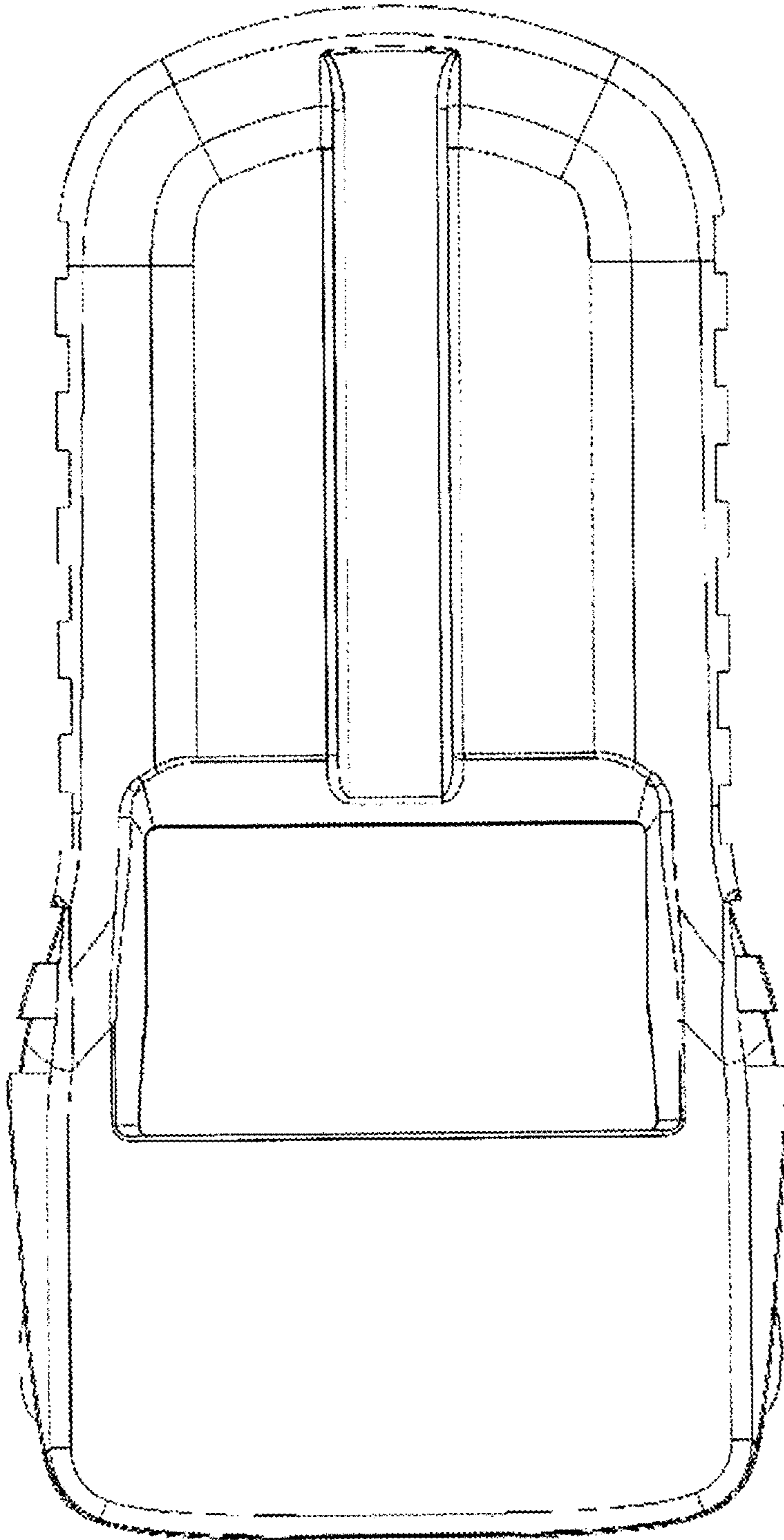


FIG 6

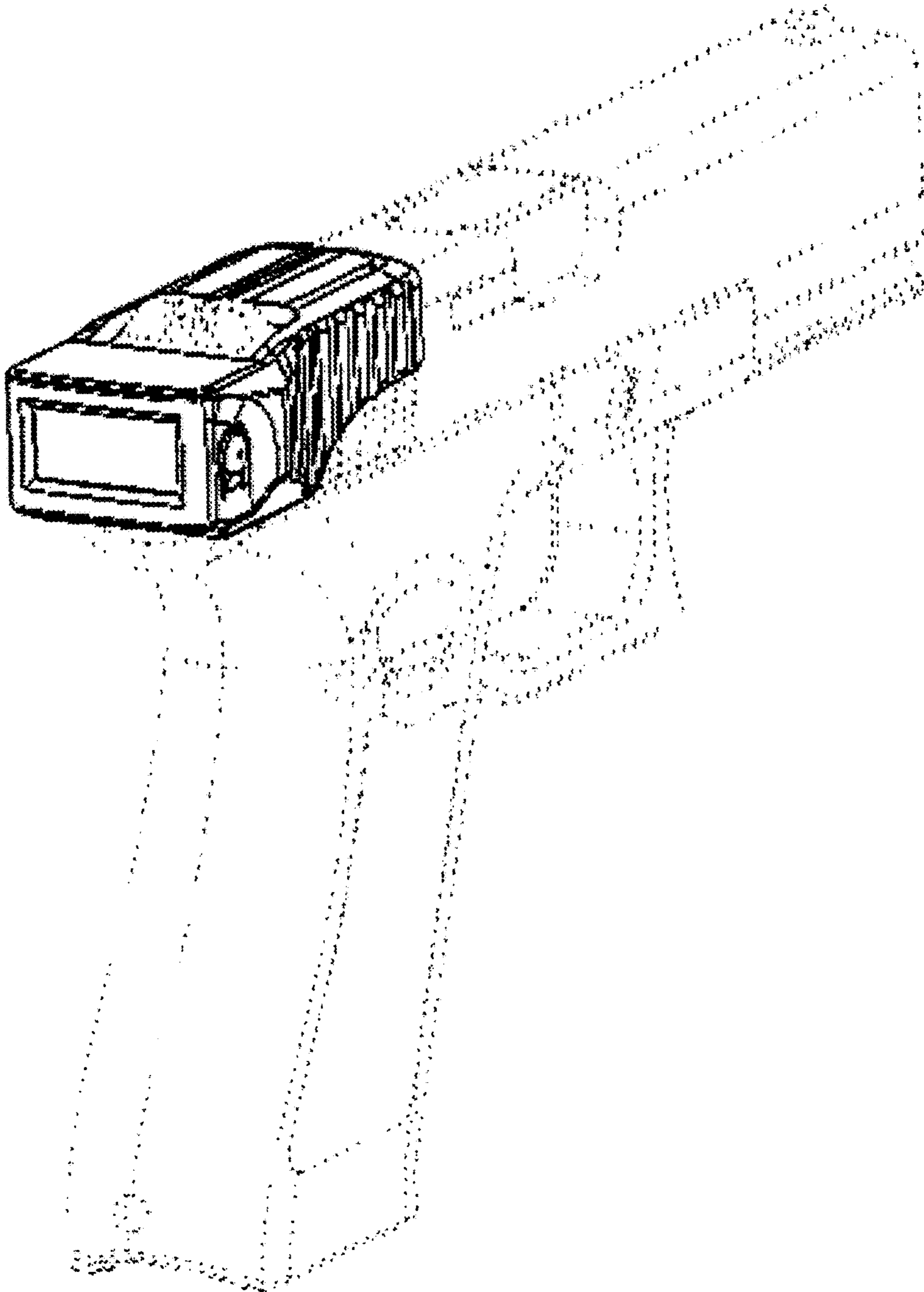


FIG 7