



US00D780871S

(12) **United States Design Patent** (10) **Patent No.:** **US D780,871 S**  
**Akkad** (45) **Date of Patent:** **\*\* Mar. 7, 2017**

(54) **BED TENT**  
(71) Applicant: **Idea Nuova, Inc.**, New York, NY (US)  
(72) Inventor: **Benjamin S. Akkad**, New York, NY (US)

6,510,565 B1 \* 1/2003 Zvezdaryk ..... A61H 33/06  
135/137  
D574,918 S \* 8/2008 McAlister ..... D21/834  
D681,146 S \* 4/2013 Sperry ..... D21/838  
D681,847 S \* 5/2013 Maenpaa ..... D25/18  
2003/0024560 A1 \* 2/2003 Tomason ..... E04H 15/324  
135/90

(73) Assignee: **Idea Nuova, Inc.**, New York, NY (US)

\* cited by examiner

(\*\*) Term: **15 Years**

*Primary Examiner* — Cynthia M Chin  
(74) *Attorney, Agent, or Firm* — Panitch Schwarze  
Belisario & Nadel LLP

(21) Appl. No.: **29/550,587**

(22) Filed: **Jan. 5, 2016**

(57) **CLAIM**

(51) **LOC (10) Cl.** ..... **21-04**

The ornamental design for a bed tent, as shown and described.

(52) **U.S. Cl.**  
USPC ..... **D21/838**

**DESCRIPTION**

(58) **Field of Classification Search**  
USPC ..... D21/834, 838, 839; D6/389, 382, 602,  
D6/606, 610, 616; 135/90, 96, 124-126,  
135/137; 5/414, 424  
CPC ..... E04H 15/40; E04H 15/48; E04H 15/324;  
A47C 17/64; A47C 29/003  
See application file for complete search history.

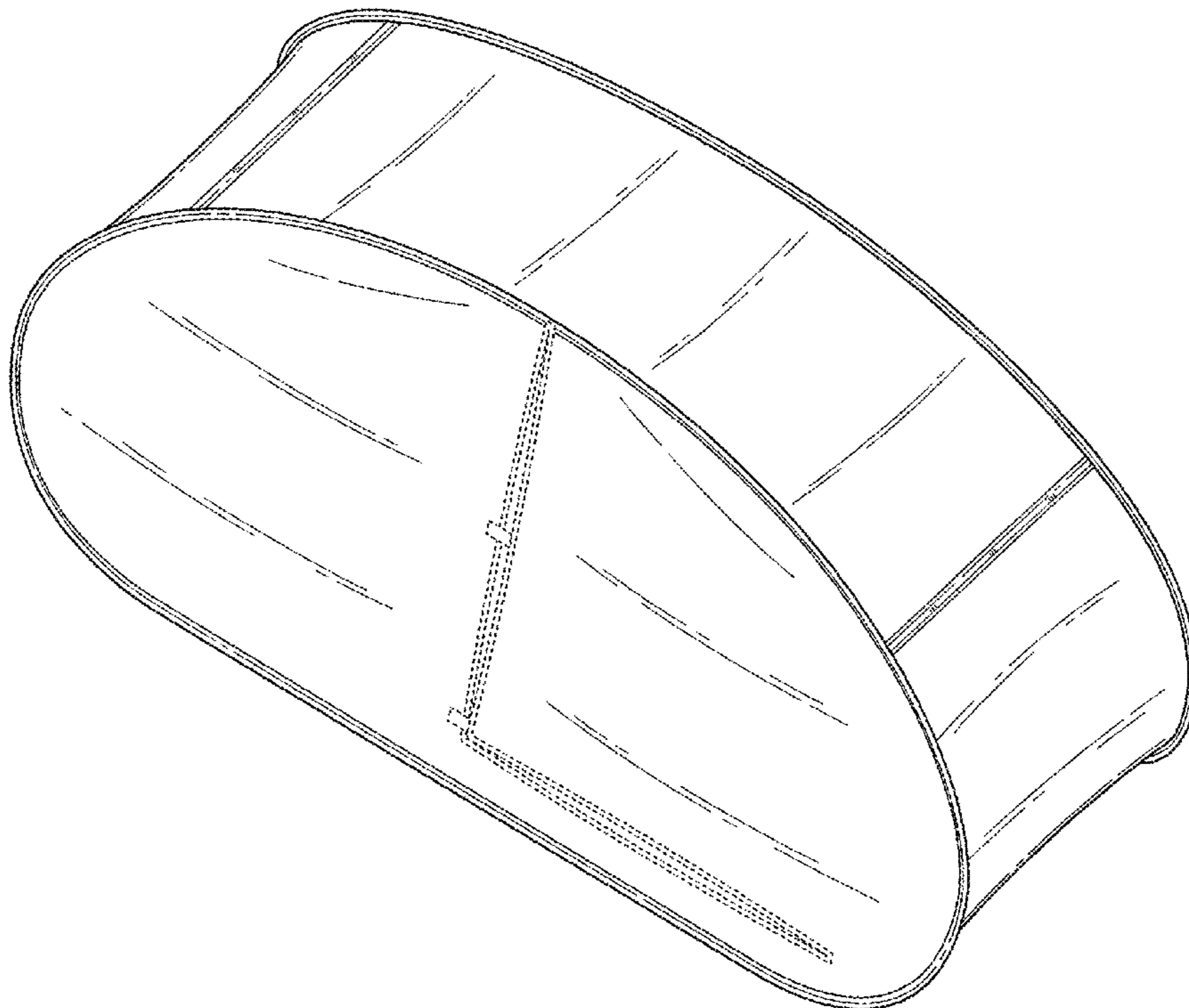
FIG. 1 is a front and top side perspective view of a bed tent in accordance with my new design;  
FIG. 2 is a right side elevational view thereof, the left side elevational view being identical thereto;  
FIG. 3 is a top plan view thereof;  
FIG. 4 is a bottom plan view thereof;  
FIG. 5 is a front elevational view thereof; and,  
FIG. 6 is a rear elevational view thereof.  
The broken lines in the figures are directed to environment and are for illustrative purposes only; the broken lines form no part of the claimed design.

(56) **References Cited**

U.S. PATENT DOCUMENTS

D285,880 S \* 9/1986 Griesenbeck ..... D21/838  
D305,790 S \* 1/1990 Soderstrom ..... D21/834  
6,109,282 A \* 8/2000 Yoon ..... E04H 15/40  
135/124

**1 Claim, 3 Drawing Sheets**



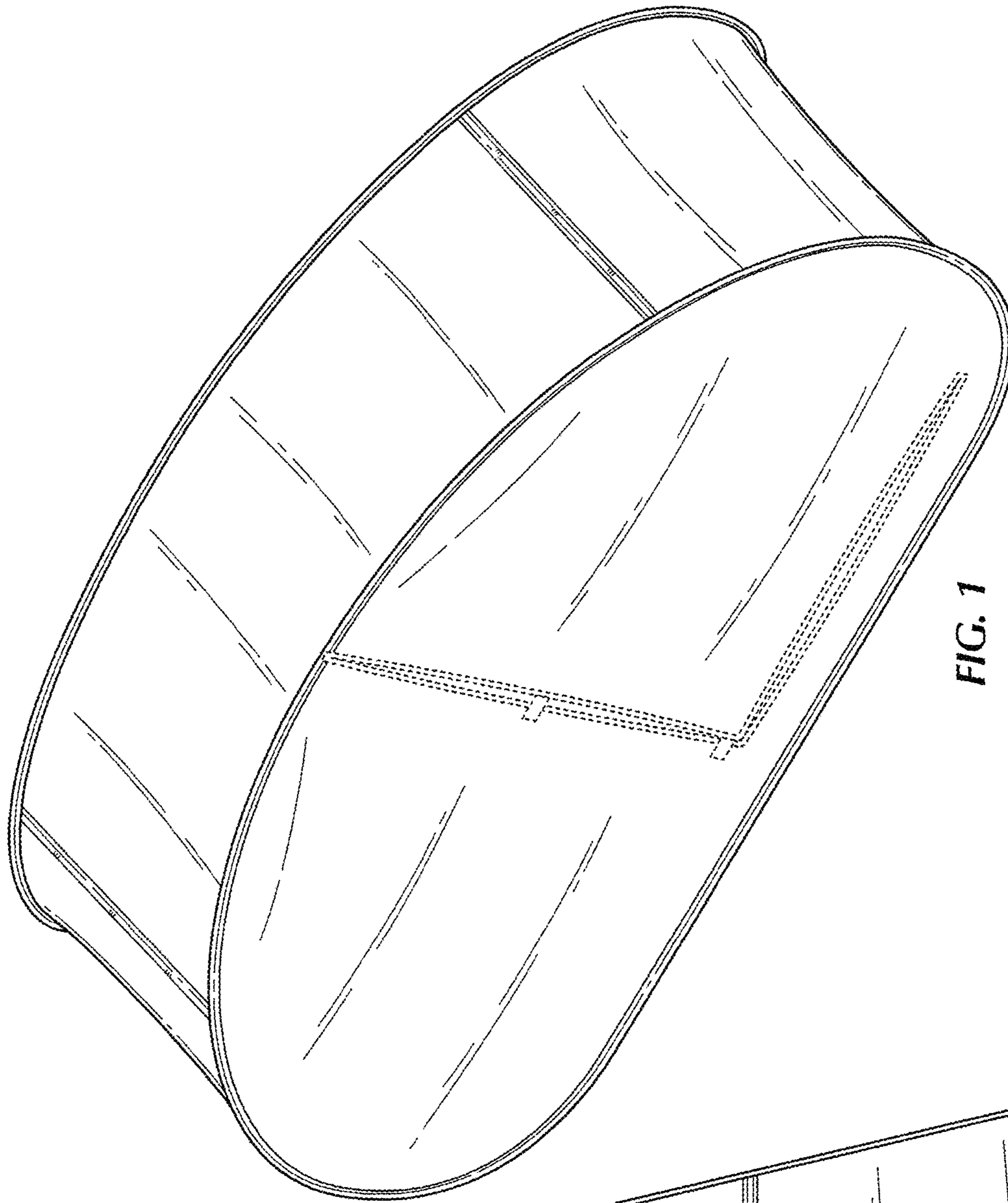


FIG. 1

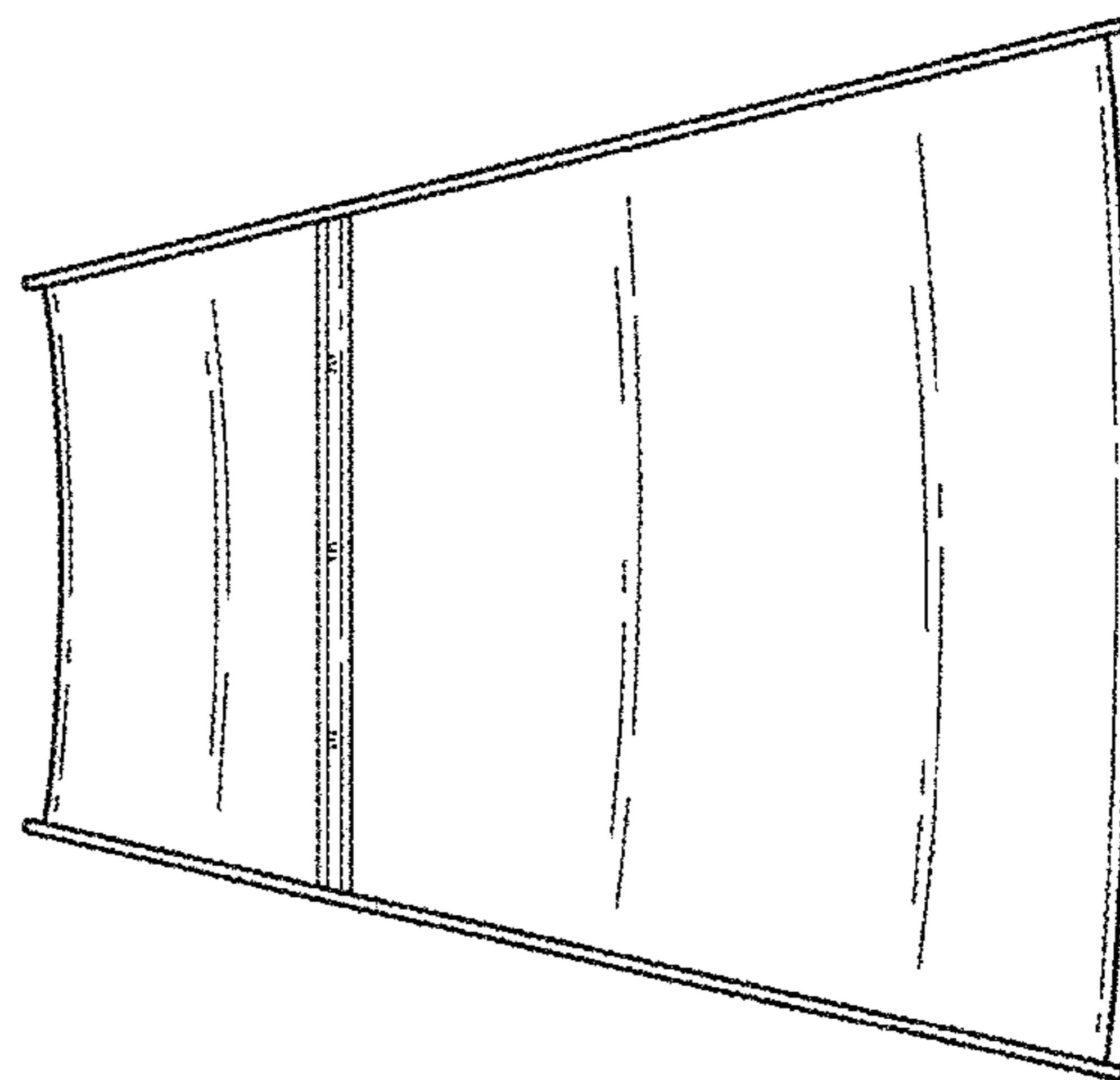


FIG. 2

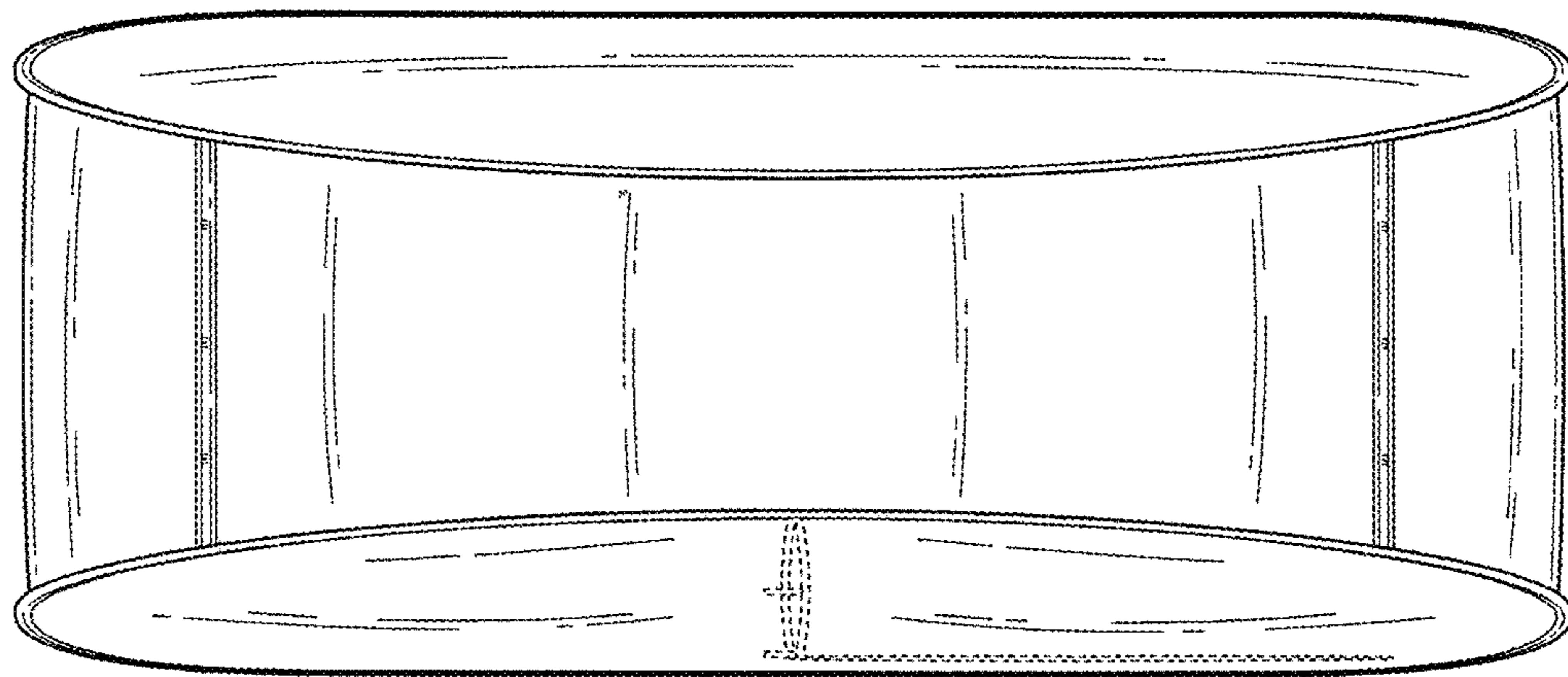


FIG. 3

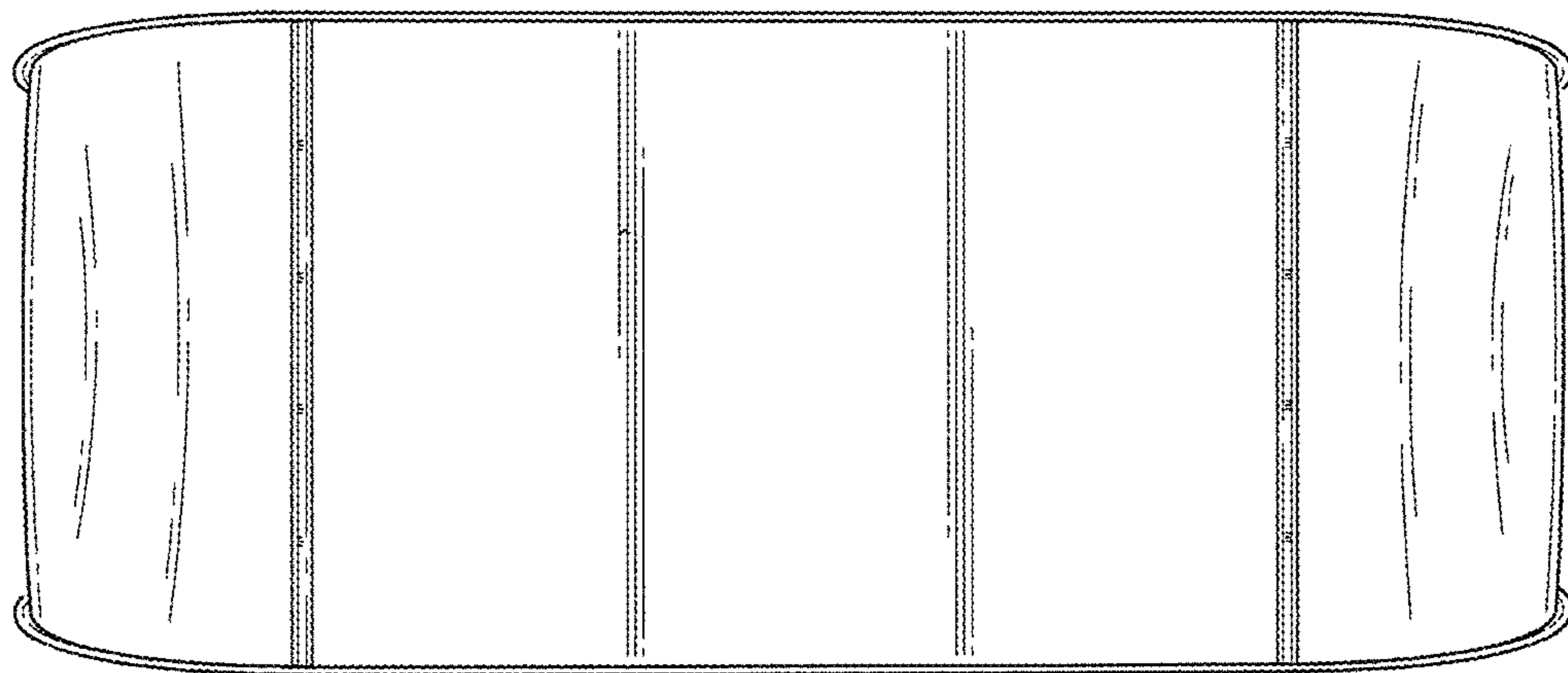


FIG. 4

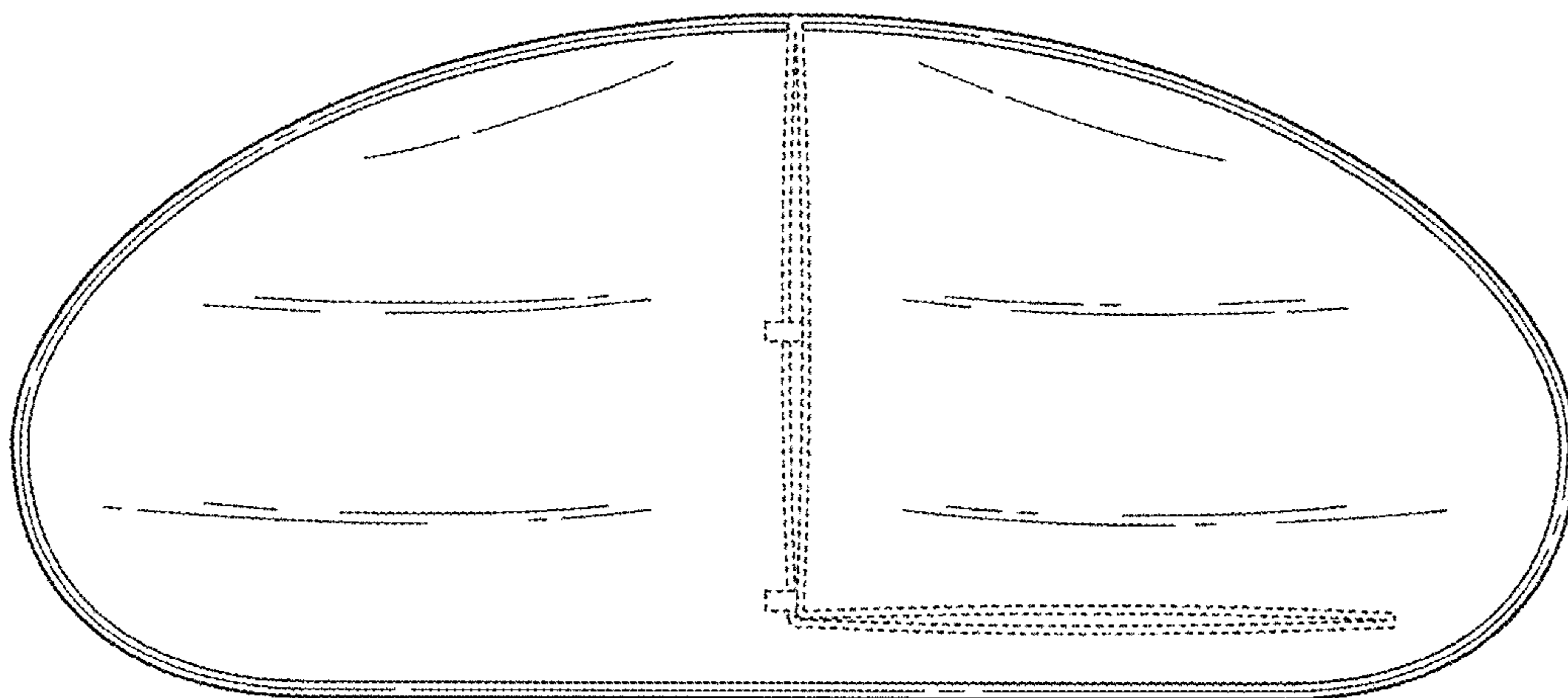


FIG. 5

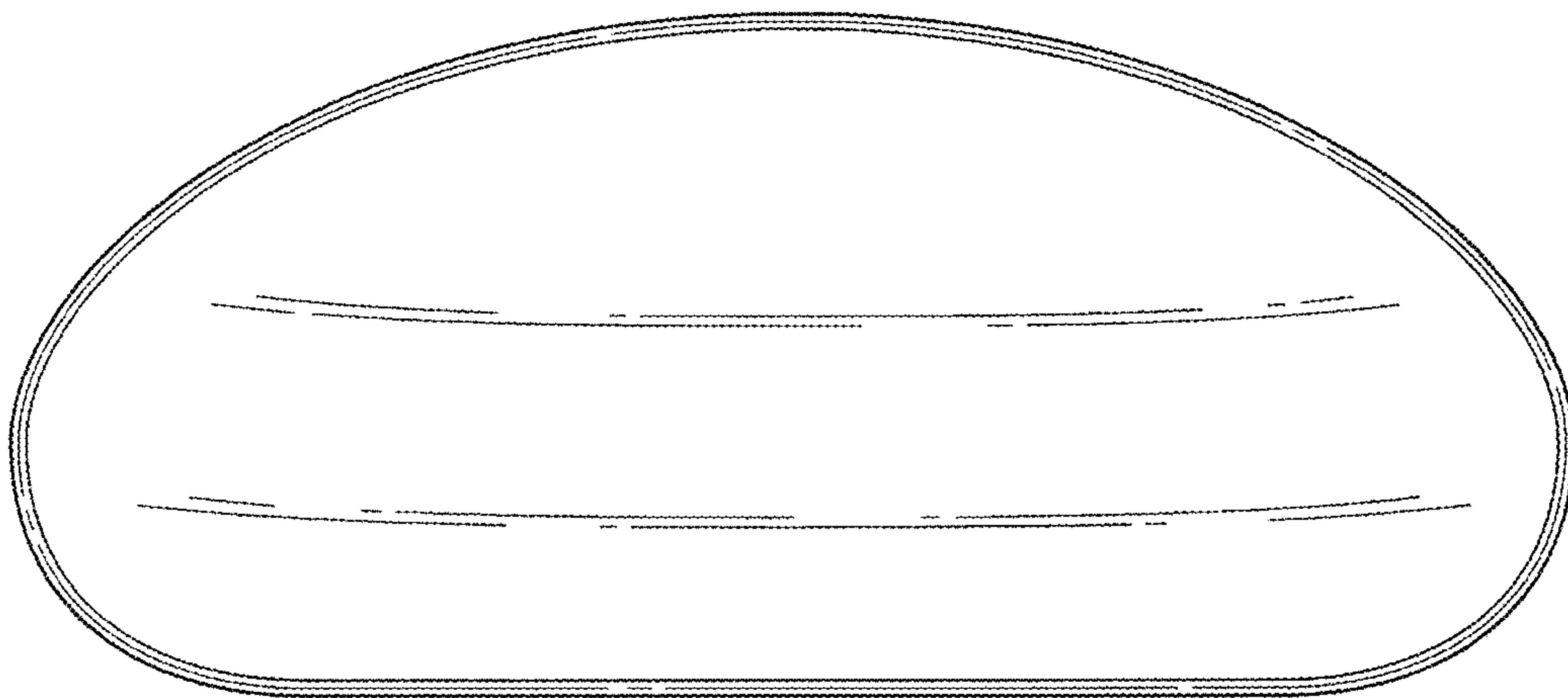


FIG. 6