



US00D780870S

(12) **United States Design Patent**  
**Hamilton**

(10) **Patent No.:** **US D780,870 S**  
(45) **Date of Patent:** **\*\* Mar. 7, 2017**

- (54) **GOLF RING**
- (71) Applicant: **Mark Hamilton**, Toronto (CA)
- (72) Inventor: **Mark Hamilton**, Toronto (CA)
- (\*\*) Term: **15 Years**
- (21) Appl. No.: **29/536,500**
- (22) Filed: **Aug. 17, 2015**

- 4,906,006 A \* 3/1990 Sigunick ..... A63B 57/357  
473/179
- 5,257,808 A \* 11/1993 Mueller ..... A63B 69/3623  
473/174
- 5,275,404 A \* 1/1994 Dimaano ..... A63B 57/357  
206/315.9
- D346,831 S \* 5/1994 Adams ..... D21/790
- 5,435,560 A \* 7/1995 Kehoe ..... A63B 63/007  
473/174
- D405,144 S \* 2/1999 Crum ..... D21/789
- D411,601 S \* 6/1999 Fong ..... D21/791
- D423,621 S \* 4/2000 Holtby ..... D21/791
- D435,618 S \* 12/2000 Polk, III ..... D21/790
- D460,798 S \* 7/2002 Tamanaha ..... D21/791

(Continued)

**Related U.S. Application Data**

- (63) Continuation of application No. 14/169,096, filed on Jan. 30, 2014, now abandoned.
- (51) **LOC (10) Cl.** ..... **21-02**
- (52) **U.S. Cl.**  
USPC ..... **D21/791**
- (58) **Field of Classification Search**  
USPC ..... D21/789, 791, 792  
CPC ... A63B 57/40; A63B 57/357; A63B 69/3676;  
A63B 63/00; A63B 63/007  
See application file for complete search history.

*Primary Examiner* — Mitchell Siegel

(74) *Attorney, Agent, or Firm* — CIONCA Law Group  
P.C.; Marin Cionca

(57) **CLAIM**

The ornamental design for a golf ring, as shown and described.

**DESCRIPTION**

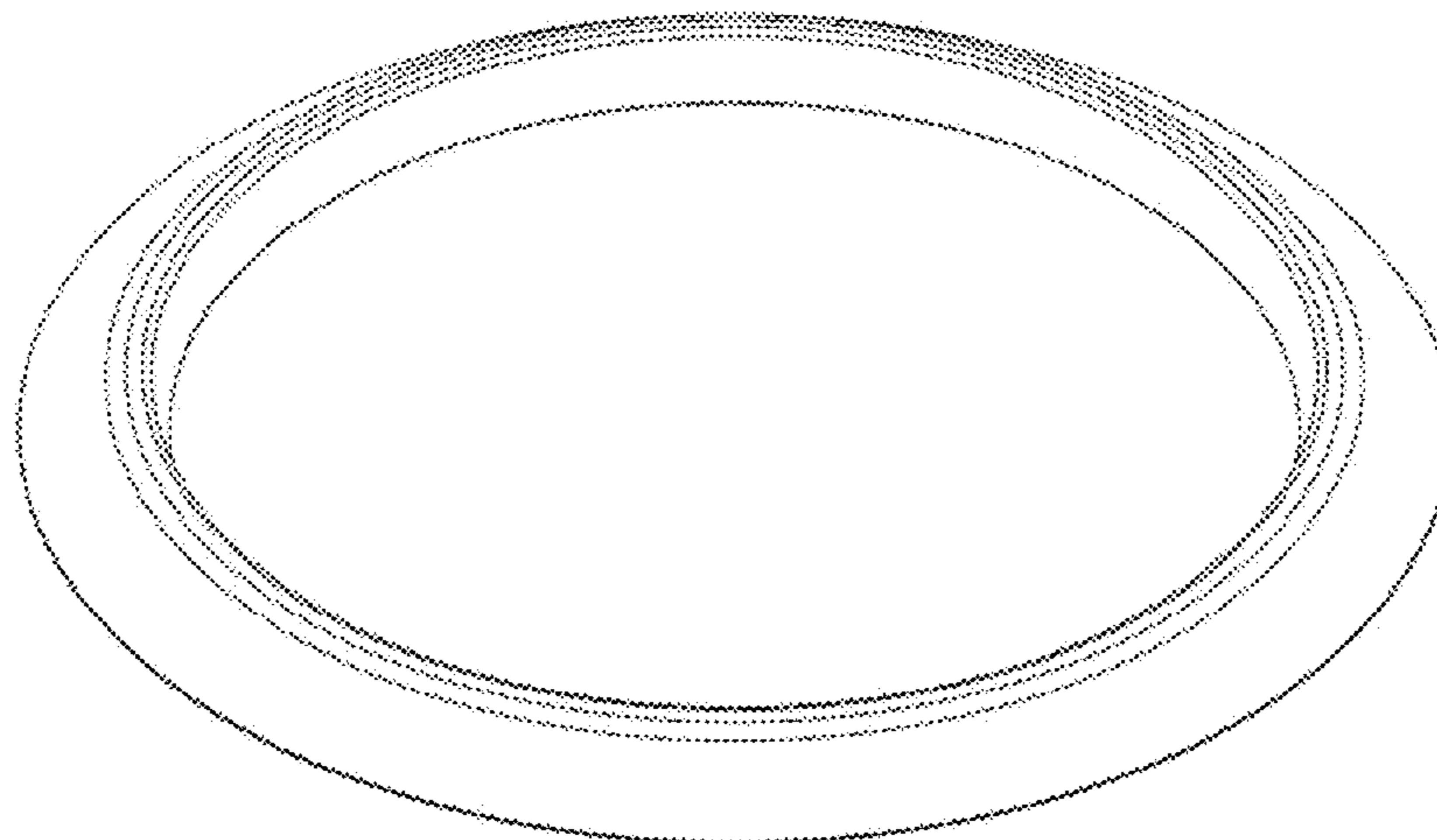
FIG. 1 is a top plan view of a golf ring showing an embodiment of the new design;  
 FIG. 2 is a top, perspective view of the embodiment of FIG. 1;  
 FIG. 3 is a side view of the embodiment of FIG. 1, the front, back, right, and left sides being similar;  
 FIG. 4 is a bottom plan view of another embodiment of the golf ring of FIG. 1 having a grooved bottom;  
 FIG. 5 is a top plan view of a golf ring showing another embodiment of the new design;  
 FIG. 6 is a side view of the embodiment of FIG. 5; and,  
 FIG. 7 is a side, perspective view of the embodiment of FIG. 5.

**1 Claim, 4 Drawing Sheets**

(56) **References Cited**

U.S. PATENT DOCUMENTS

- 1,287,903 A \* 12/1918 Daily ..... A63B 57/40  
473/180
- 1,656,740 A \* 1/1928 Kurtz ..... A63B 57/40  
273/127 B
- 2,121,270 A \* 6/1938 Streich ..... A63B 57/40  
473/185
- 2,933,318 A \* 4/1960 Boynton ..... A63B 63/00  
473/186
- D242,370 S \* 11/1976 Arndt ..... D21/790
- D264,114 S \* 4/1982 Wojciechowski ..... D21/790
- 4,878,671 A \* 11/1989 Gubany ..... A63B 67/02  
473/172



(56)

**References Cited**

U.S. PATENT DOCUMENTS

6,506,123	B1 *	1/2003	Weidlich .....	A63B 69/3676
				473/180
7,347,789	B2 *	3/2008	Patterson .....	A63B 69/3676
				473/180
D624,982	S *	10/2010	Perusa .....	D21/789
D738,451	S *	9/2015	Olson .....	D21/790

\* cited by examiner

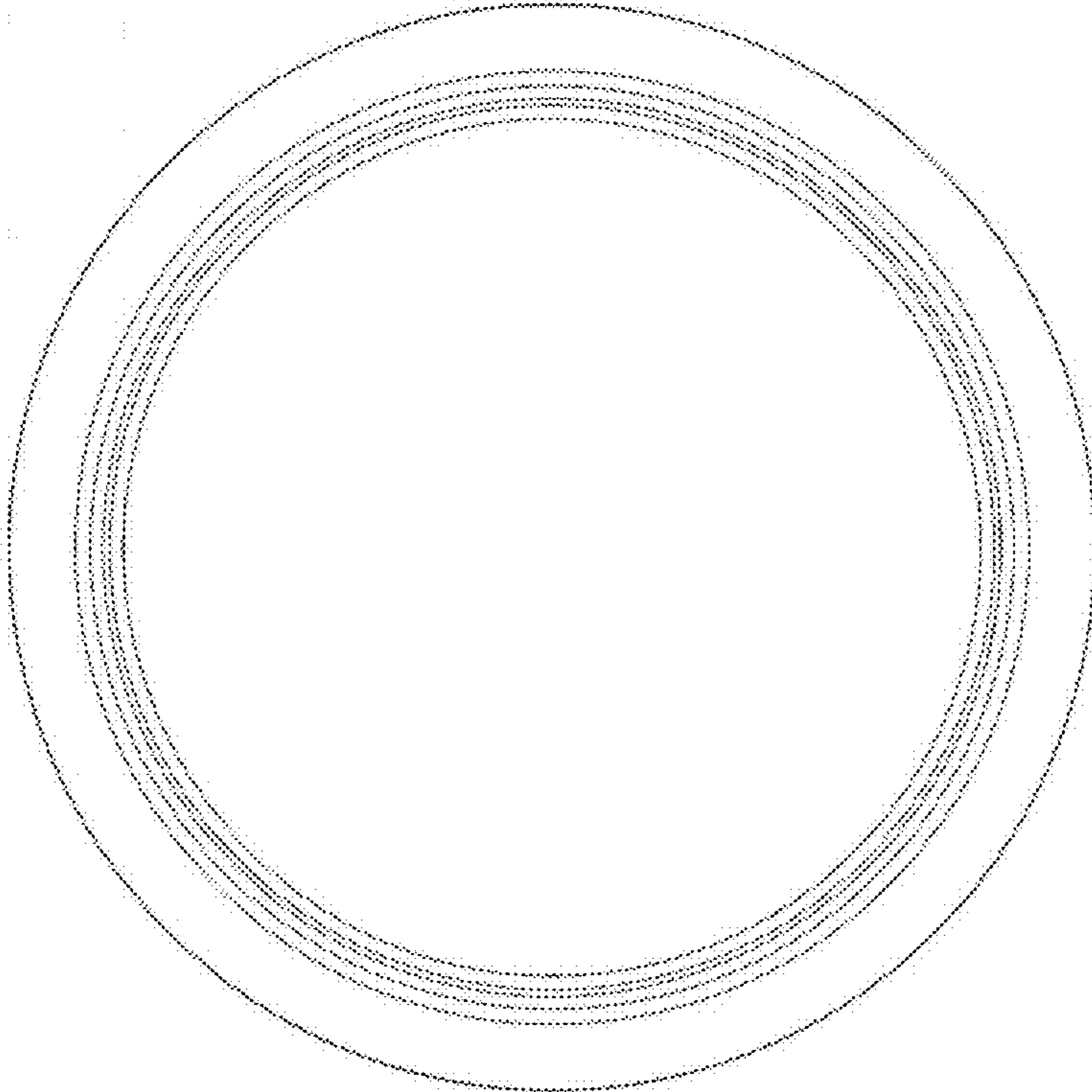


FIG. 1

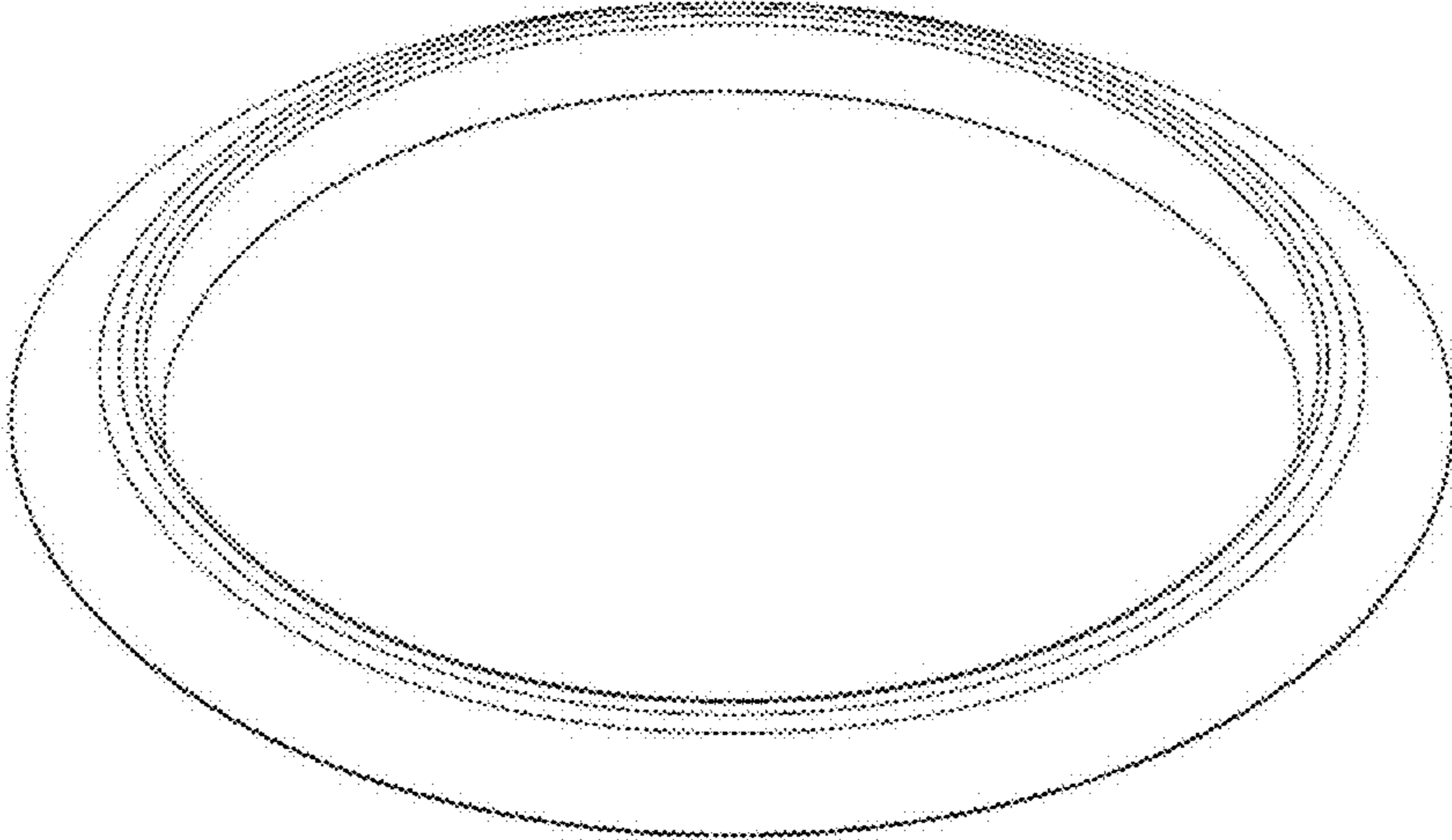


FIG. 2

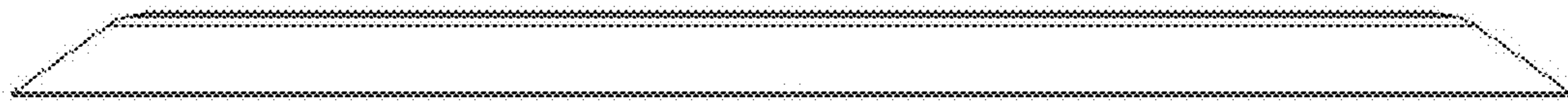


FIG. 3

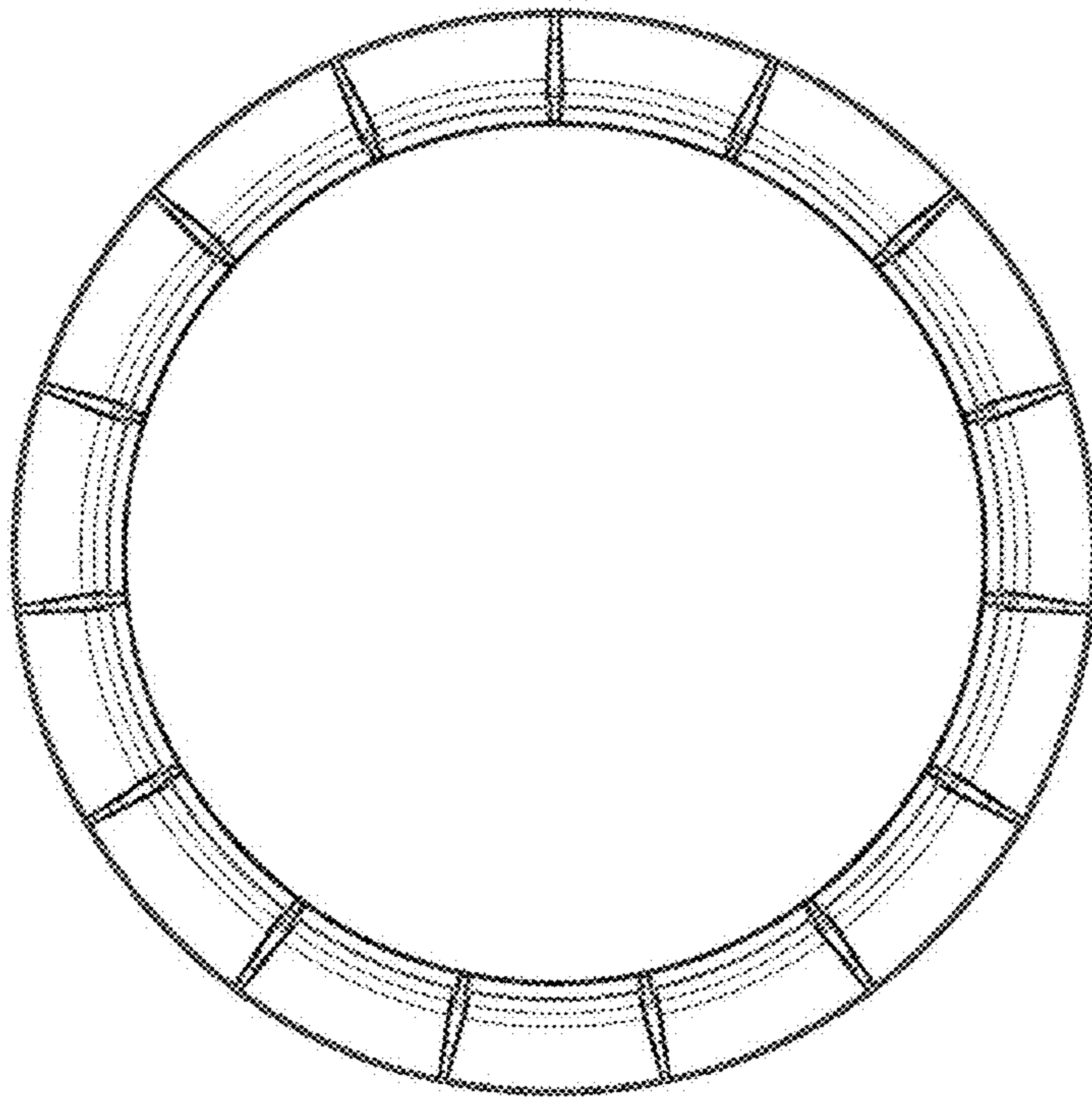


FIG. 4



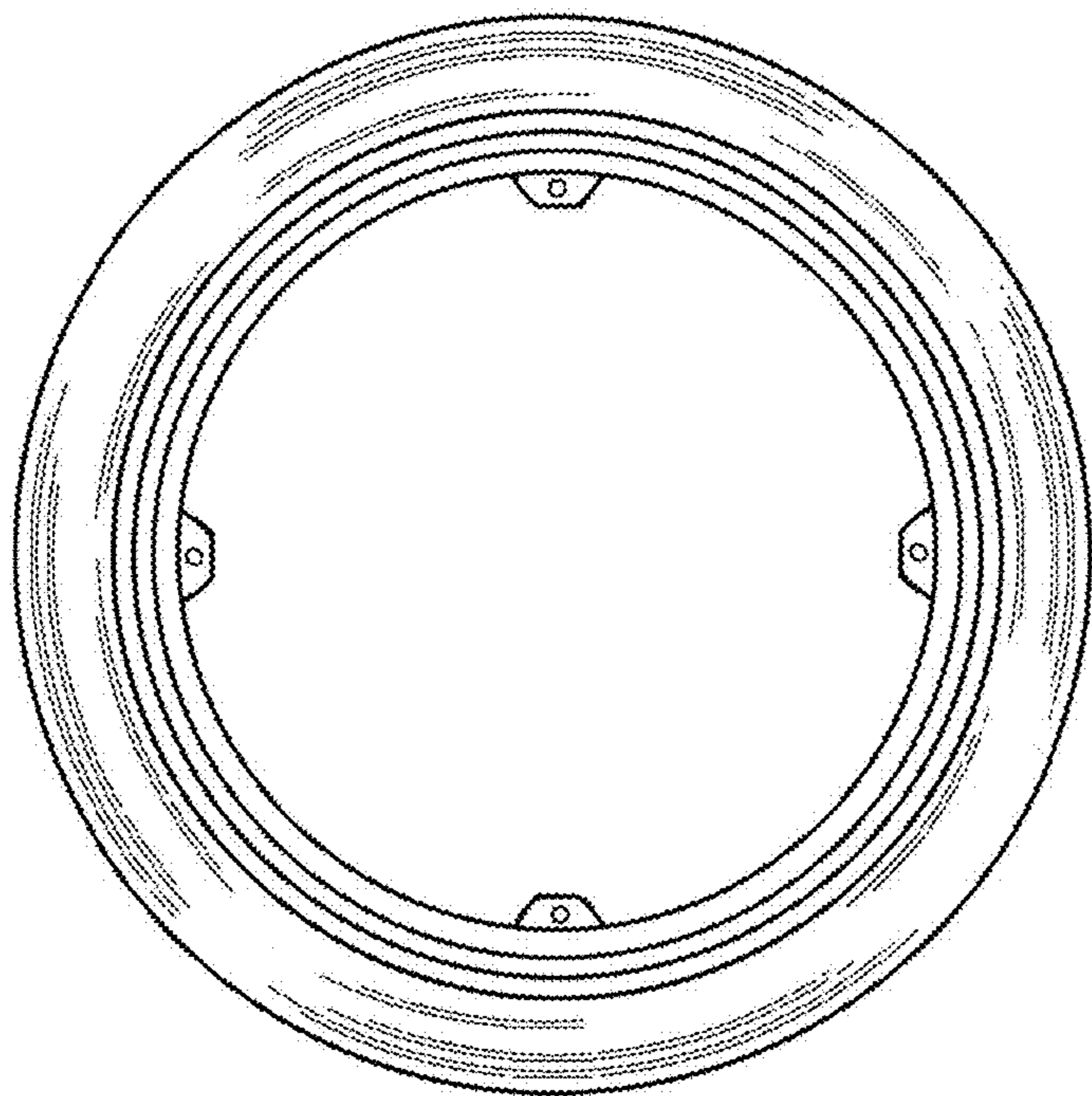


FIG. 5

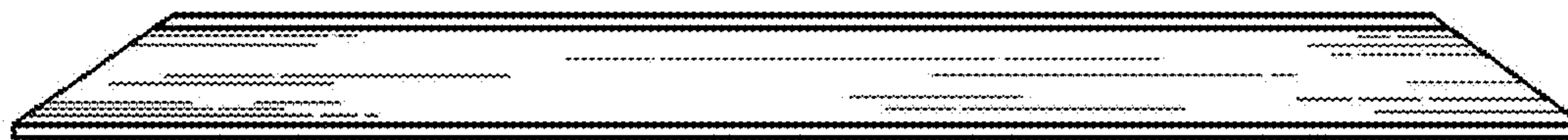


FIG. 6

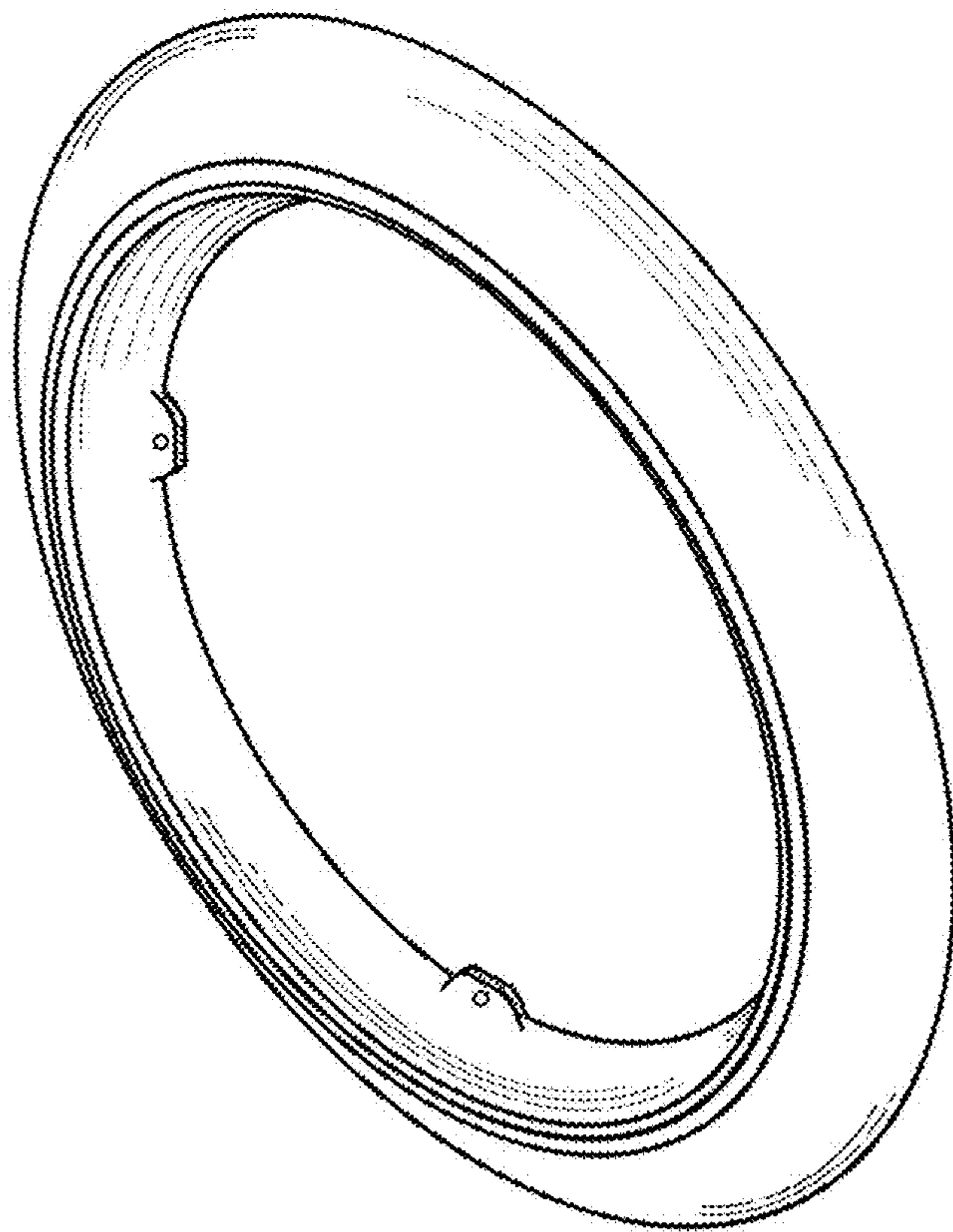


FIG. 7