



US00D780868S

(12) **United States Design Patent**  
**Schneck et al.**

(10) **Patent No.:** **US D780,868 S**  
(45) **Date of Patent:** **\*\* Mar. 7, 2017**

- (54) **DETACHABLE SEAT**
- (71) Applicants: **Lena Florence Schneck**, Denver, CO (US); **Eleanor Knight Bain**, Denver, CO (US)
- (72) Inventors: **Lena Florence Schneck**, Denver, CO (US); **Eleanor Knight Bain**, Denver, CO (US)
- (\*\*) Term: **15 Years**
- (21) Appl. No.: **29/538,391**
- (22) Filed: **Sep. 3, 2015**

4,394,045	A *	7/1983	Shaw	.....	A01M 31/02	297/118
4,456,284	A	6/1984	Saka			
5,010,850	A *	4/1991	Sailer	.....	A01K 27/00	182/3
5,911,234	A *	6/1999	Hirst	.....	A61H 3/02	119/770
6,257,258	B1 *	7/2001	Smith	.....	A45B 5/00	135/66
6,263,892	B1	7/2001	Baker			
6,397,868	B1	6/2002	Smith			
6,932,095	B1 *	8/2005	Hanson	.....	A45B 7/00	135/66
7,258,401	B2 *	8/2007	Smith	.....	A01M 31/02	297/463.2
D742,465	S *	11/2015	Bain	.....	D21/767	
9,486,383	B1 *	11/2016	Pichnarcik	.....	A61H 3/00	
2003/0020273	A1	1/2003	Rogers			

**Related U.S. Application Data**

- (62) Division of application No. 29/484,185, filed on Mar. 6, 2014, now Pat. No. Des. 742,465.
- (51) **LOC (10) Cl.** ..... **21-02**
- (52) **U.S. Cl.**  
USPC ..... **D21/767**
- (58) **Field of Classification Search**  
USPC ..... D21/766-767, 771, 775-777; D3/7, 12, D3/16, 5, 6; 280/819-824; 16/430, 421; 135/76; D6/383, 386, 387, 718.1, 608, D6/595; 5/120-123, 127, 128, 417  
CPC ..... A63C 11/222; A63C 11/00; A01M 31/02  
See application file for complete search history.

\* cited by examiner

*Primary Examiner* — Zenia Bennett  
(74) *Attorney, Agent, or Firm* — Reilly Intellectual Property Law Firm

(57) **CLAIM**

The ornamental design for a detachable seat, as shown and described.

**DESCRIPTION**

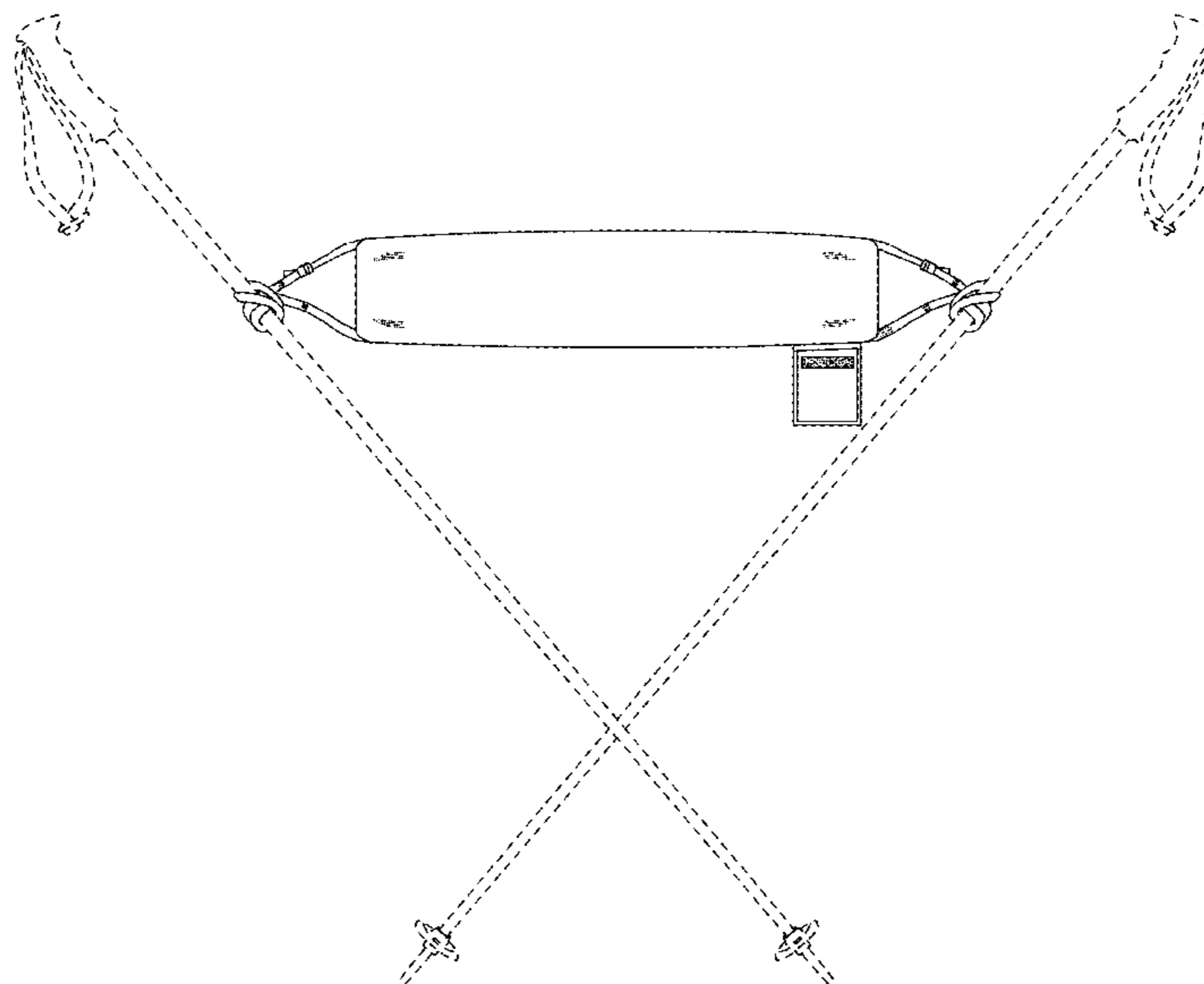
FIG. 1 is a front perspective view showing our new design; FIG. 2 is a top view of FIG. 1; FIG. 3 is an end view of FIG. 1; FIG. 4 is a side view of FIG. 1; and, FIG. 5 is a bottom view of FIG. 1. The broken lines are included for the purpose of illustrating environmental structure and form no part of the claimed designs used in FIG. 1.

(56) **References Cited**

**U.S. PATENT DOCUMENTS**

2,257,831	A	10/1941	Wood			
2,445,344	A	7/1948	Wachtel			
3,902,731	A	9/1975	Fagen et al.			
4,065,140	A	12/1977	Cadwalader			
4,315,655	A *	2/1982	Machnik	.....	A45F 3/26	182/187

**1 Claim, 2 Drawing Sheets**



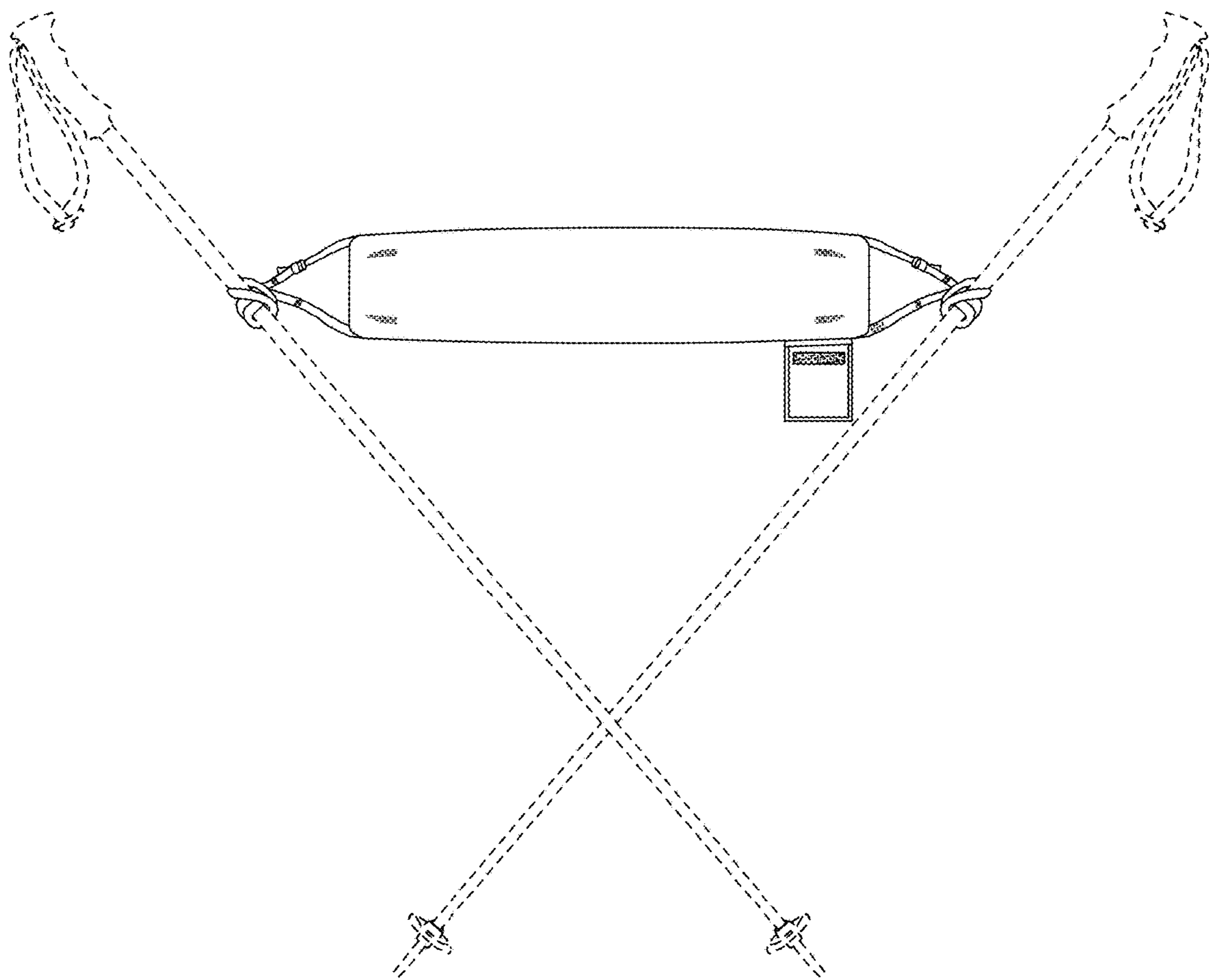


Fig. 1

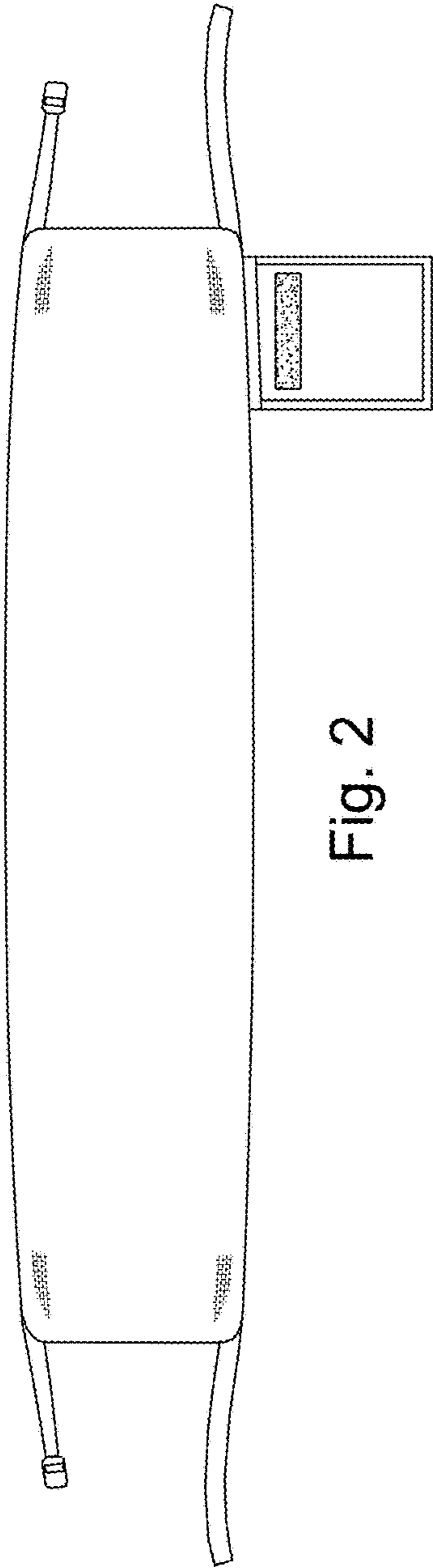


Fig. 2

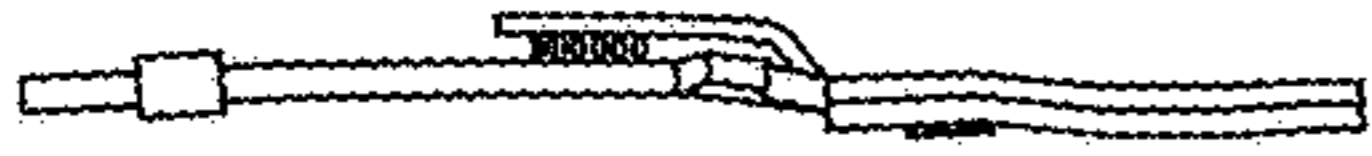


Fig. 3

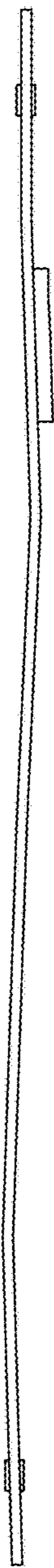


Fig. 4

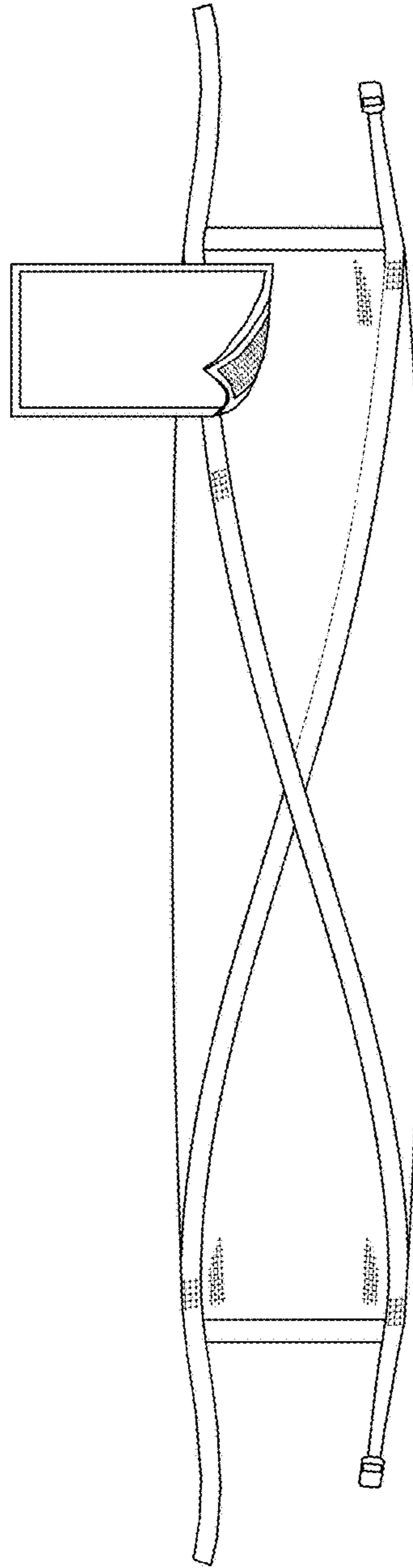


Fig. 5