



US00D780865S

(12) **United States Design Patent** (10) **Patent No.:** **US D780,865 S**
Warren (45) **Date of Patent:** **** Mar. 7, 2017**

(54) **GOLF CLUB**
(71) Applicant: **William J. Warren**, Frisco, TX (US)
(72) Inventor: **William J. Warren**, Frisco, TX (US)
(**) Term: **15 Years**
(21) Appl. No.: **29/549,595**
(22) Filed: **Dec. 27, 2015**
(51) **LOC (10) Cl.** **21-02**
(52) **U.S. Cl.**
USPC **D21/743**
(58) **Field of Classification Search**
USPC D21/736-746, 759
CPC A63B 53/00; A63B 53/04; A63B 53/007;
A63B 53/065; A63B 53/0487
See application file for complete search history.

D607,951 S * 1/2010 Teramoto D21/736
D629,856 S * 12/2010 Parkinson D21/743
D633,964 S * 3/2011 Teramoto D21/743
D638,892 S * 5/2011 Hettinger D21/743
D648,407 S * 11/2011 Teramoto D21/743
D655,361 S * 3/2012 Ramsauer D21/743
D682,376 S * 5/2013 Oliveiro D21/736
D688,339 S * 8/2013 Hilton D21/736
D689,574 S * 9/2013 Rollinson D21/743
D702,782 S * 4/2014 Wempe D21/743
D752,697 S * 3/2016 Claveran D21/736
D763,373 S * 8/2016 Cardani D21/736
D763,383 S * 8/2016 Cardani D21/759
2007/0135232 A1* 6/2007 Billings A63B 53/0487
473/340

* cited by examiner

Primary Examiner — Mitchell Siegel

(57) **CLAIM**

The ornamental design for a golf club, as shown.

(56) **References Cited**

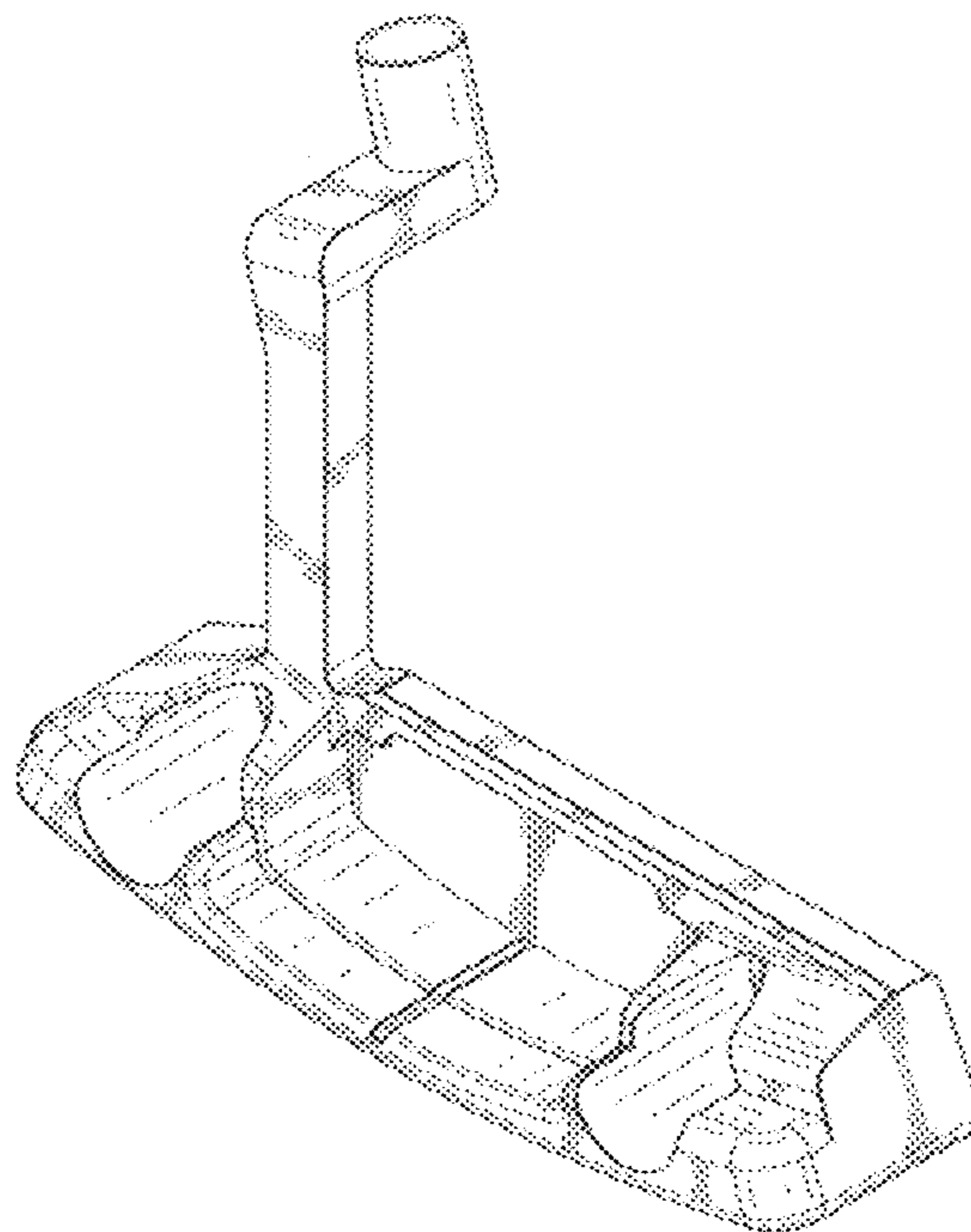
U.S. PATENT DOCUMENTS

D248,783 S * 8/1978 Long 473/345
4,693,478 A * 9/1987 Long A63B 53/0487
473/251
D306,630 S * 3/1990 Dinte D21/743
5,390,919 A * 2/1995 Stubbs A63B 53/065
473/246
D380,245 S * 6/1997 Meyer D21/743
5,863,257 A * 1/1999 Busnardo A63B 53/02
473/246
D460,136 S * 7/2002 Chambers, Sr. D21/742
D559,928 S * 1/2008 Cameron D21/736
D565,677 S * 4/2008 Cameron D21/736
D565,678 S * 4/2008 Cameron D21/736
D578,586 S * 10/2008 Oldknow D21/744

DESCRIPTION

FIG. 1 is a rear perspective view of a golf club showing my new design;
FIG. 2 is a rear elevational view thereof;
FIG. 3 is a front elevational view thereof;
FIG. 4 is a left side elevational view thereof;
FIG. 5 is a right side elevational view thereof;
FIG. 6 is a top plan view thereof;
FIG. 7 is a bottom plan view thereof; and,
FIG. 8 is front perspective view thereof.
The broken line showing of is included for the purpose of illustrating and forms no part of the claimed design.

1 Claim, 7 Drawing Sheets



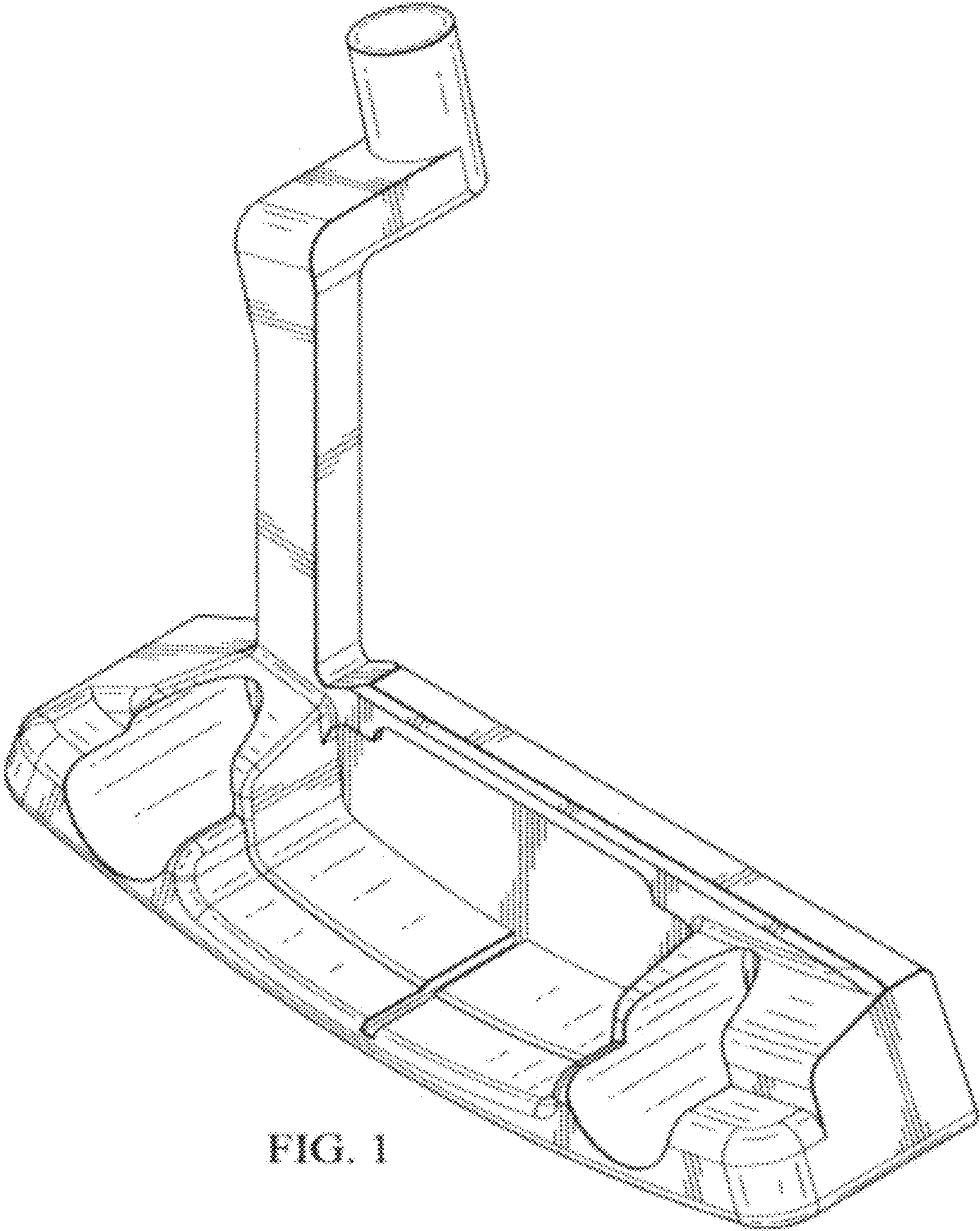


FIG. 1

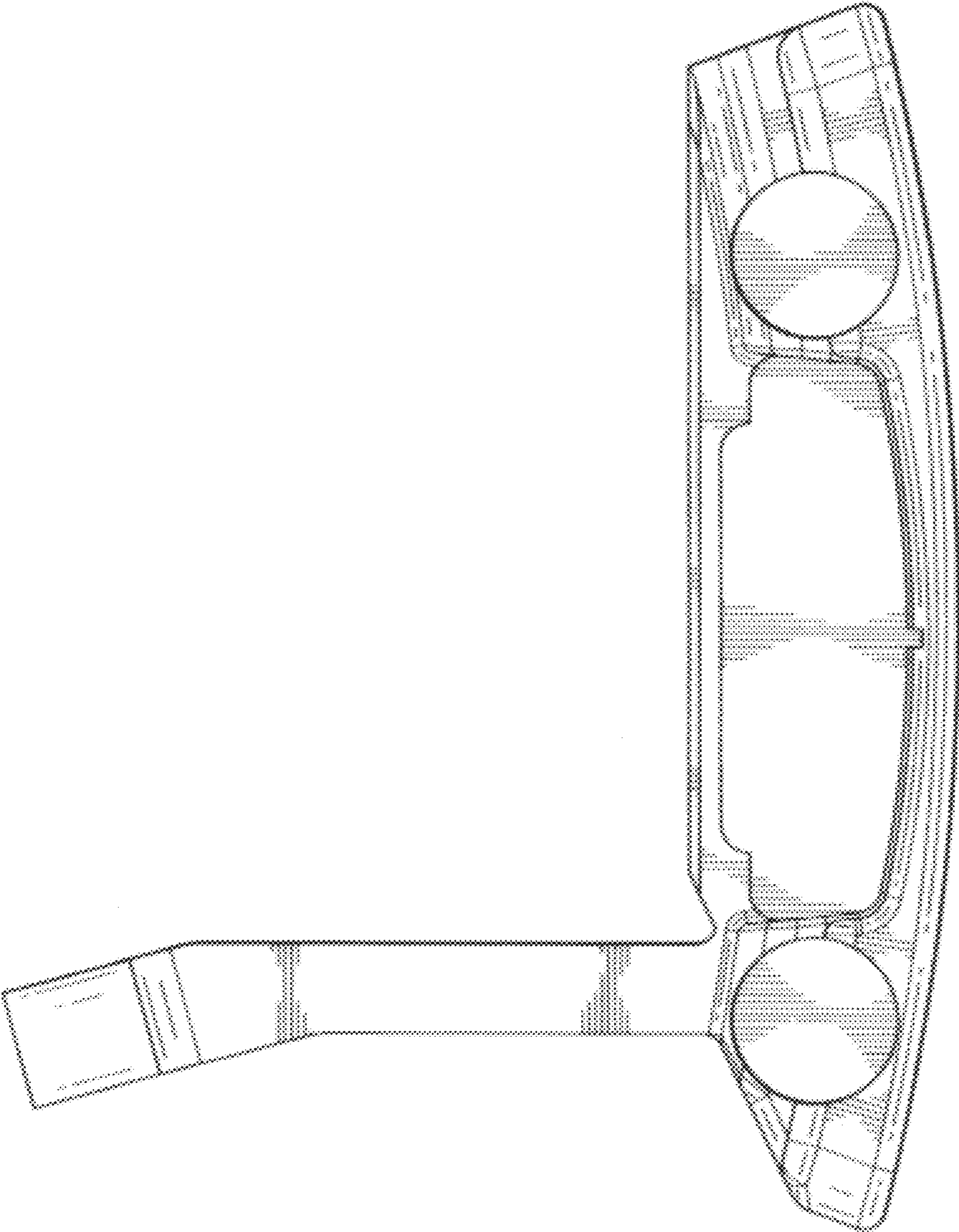


FIG. 2

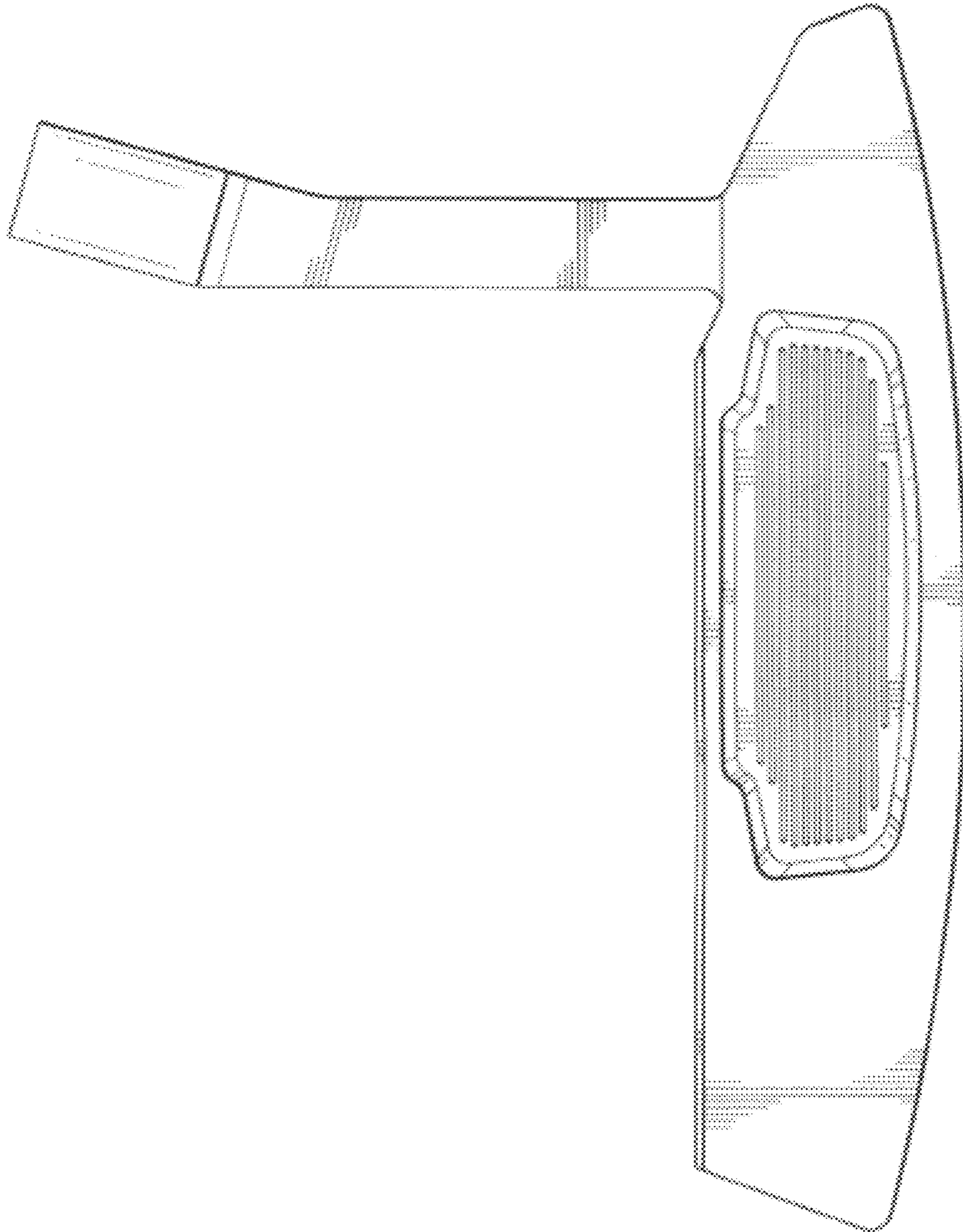


FIG. 3

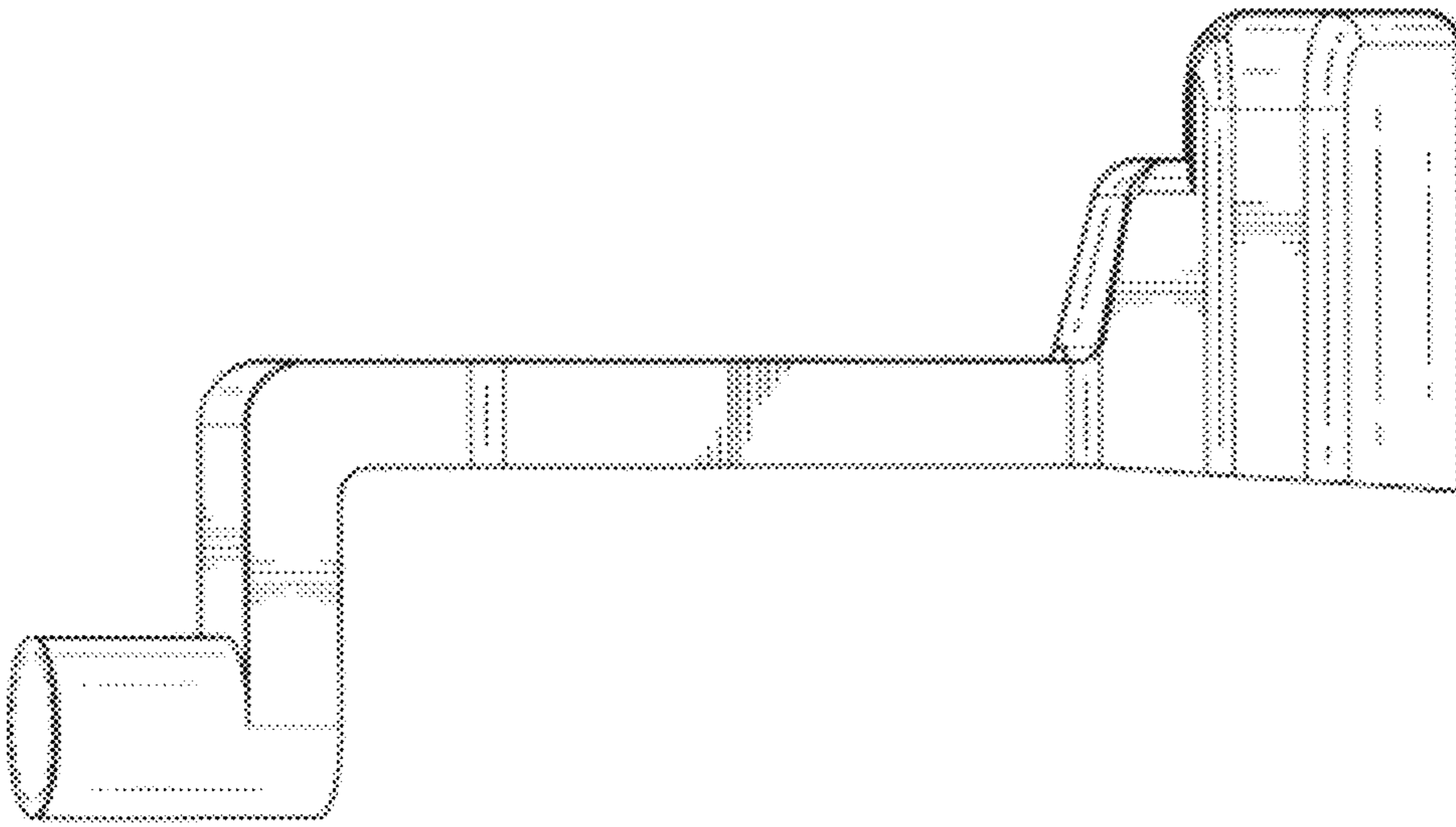


FIG. 5

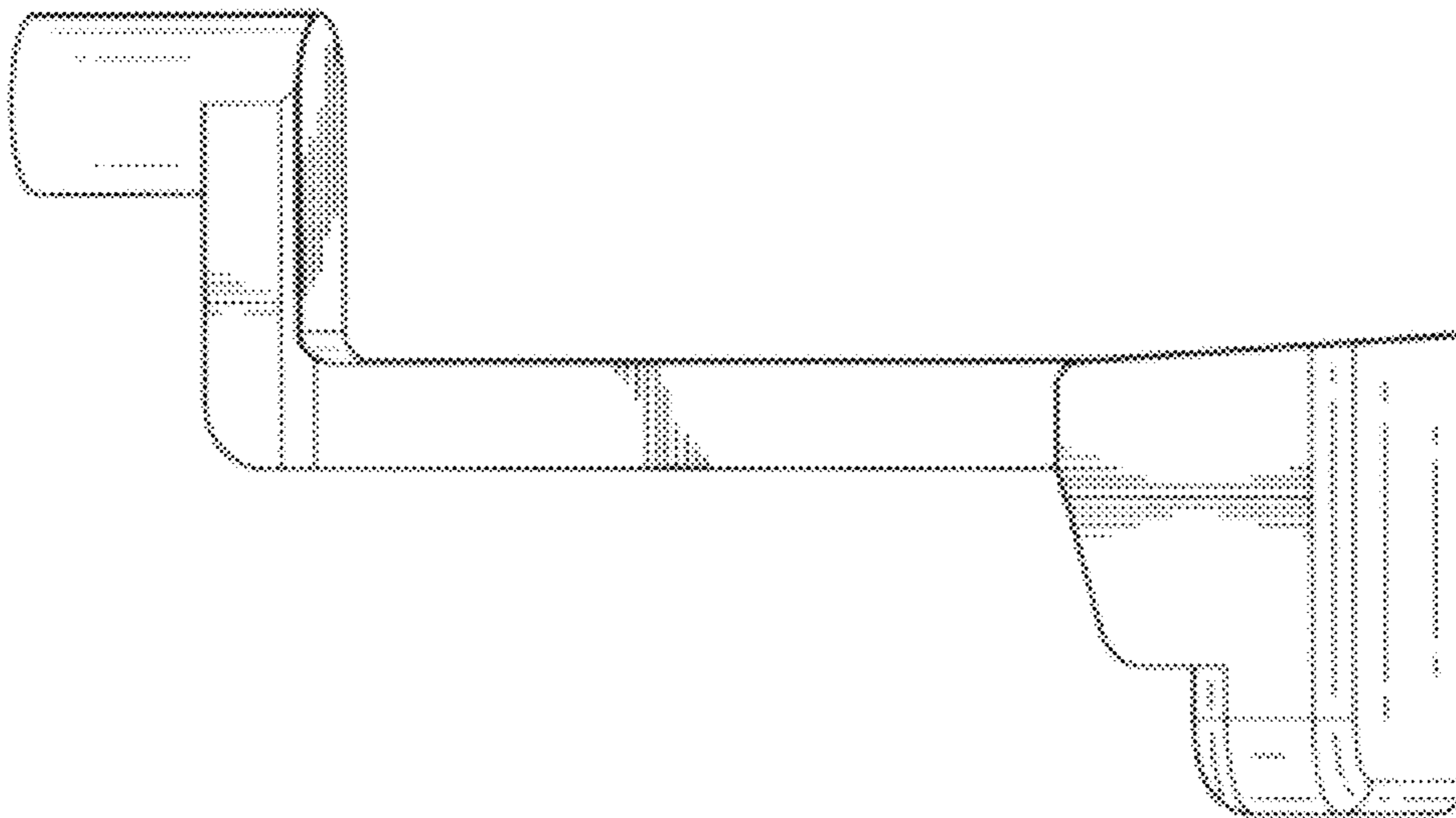


FIG. 4

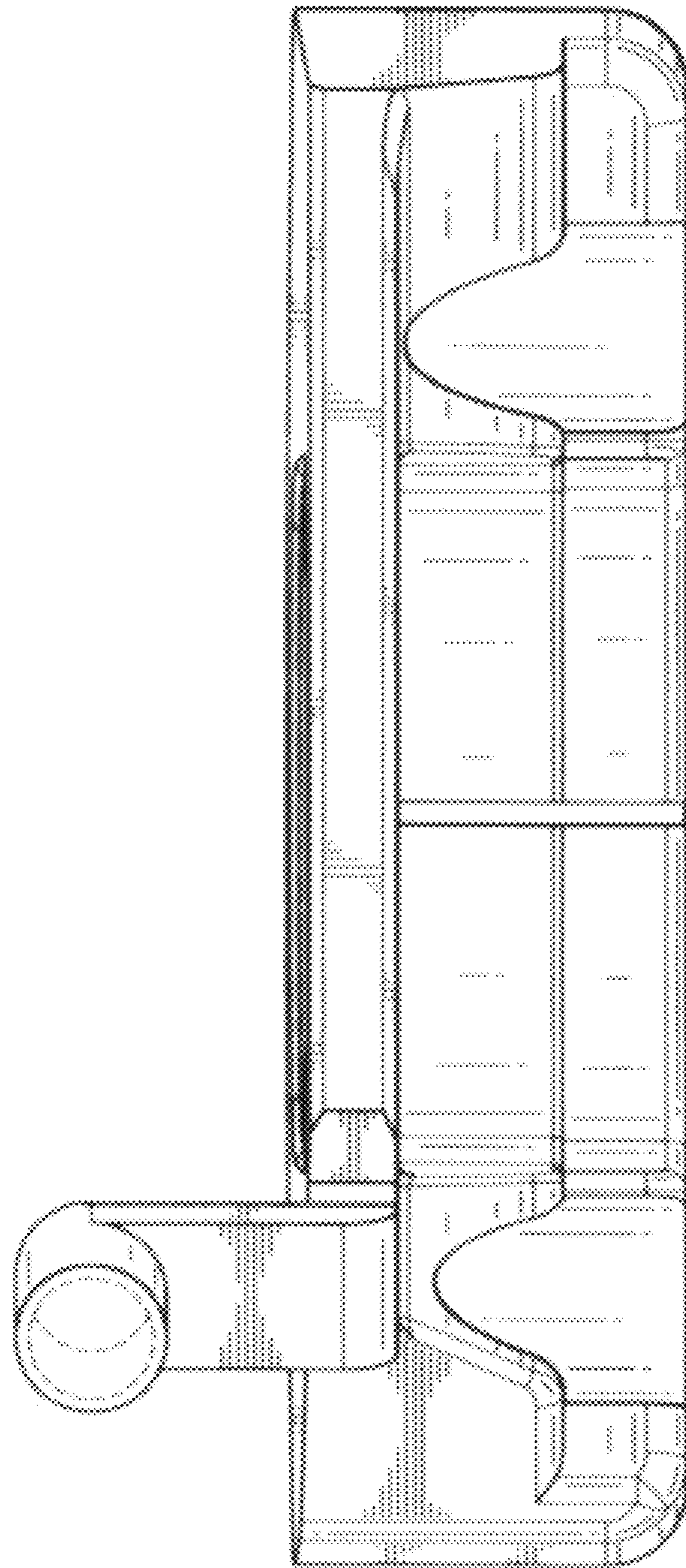
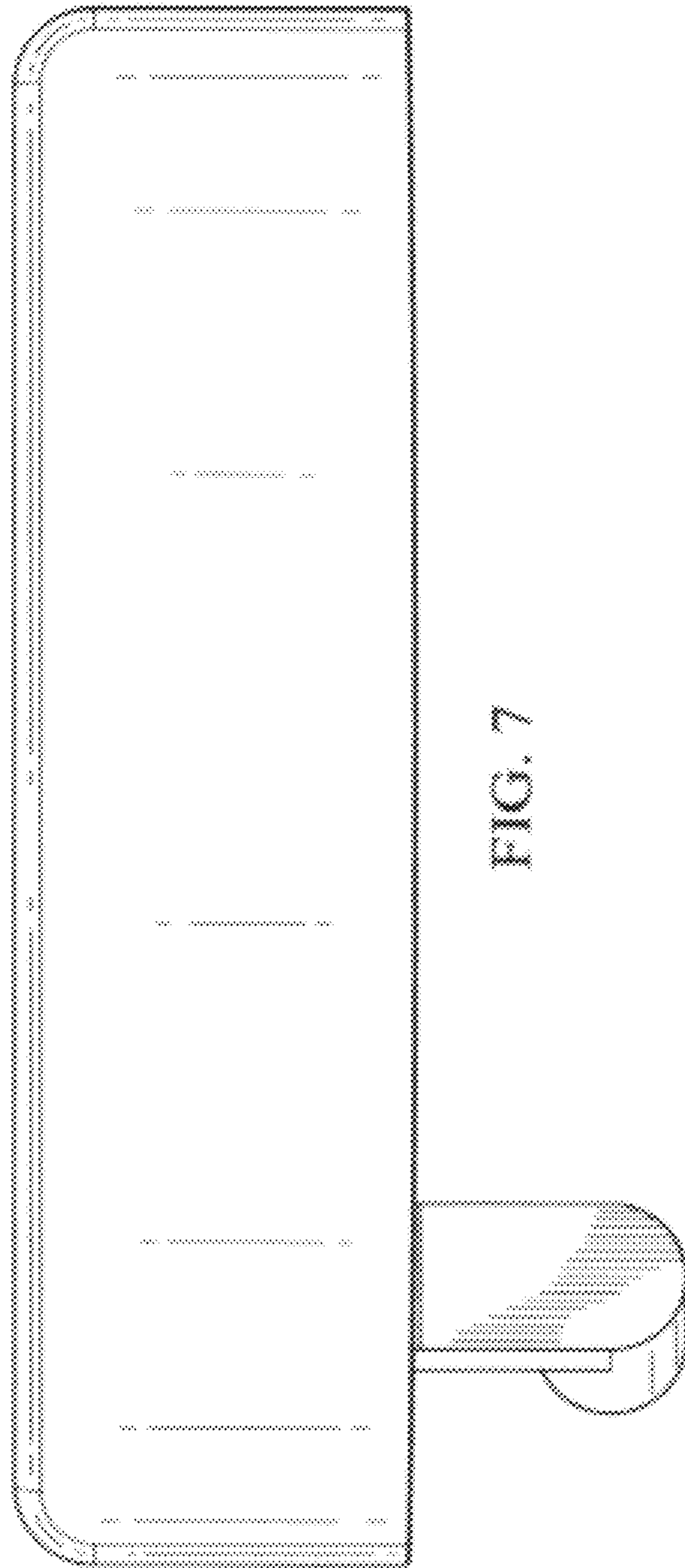


FIG. 6



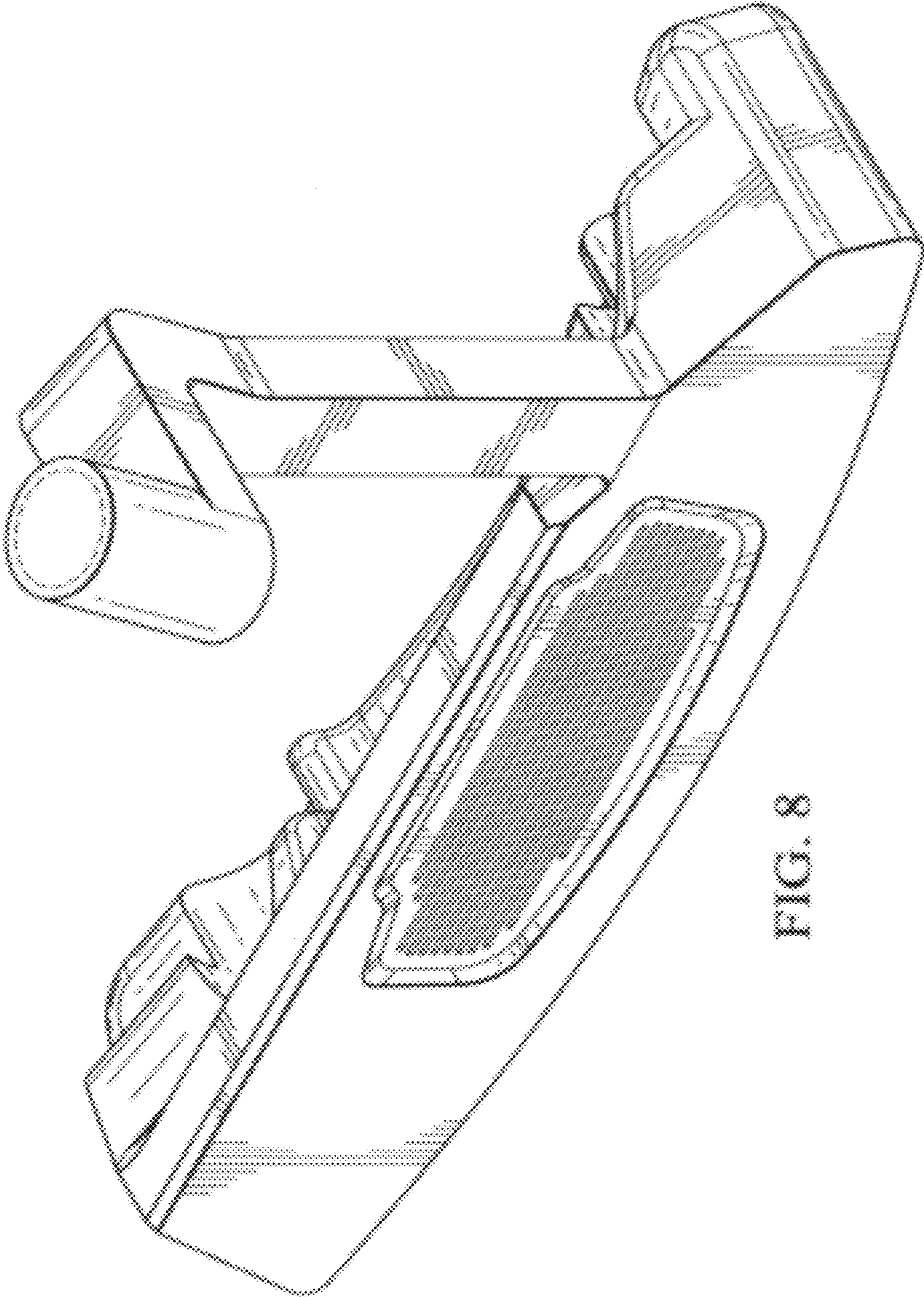


FIG. 8